



US00D689620S

(12) **United States Design Patent**
Louis

(10) **Patent No.:** **US D689,620 S**

(45) **Date of Patent:** **** Sep. 10, 2013**

- (54) **THERAPY DEVICE**
- (71) Applicant: **John G. Louis**, Northfield, IL (US)
- (72) Inventor: **John G. Louis**, Northfield, IL (US)
- (**) Term: **14 Years**
- (21) Appl. No.: **29/432,715**
- (22) Filed: **Sep. 19, 2012**
- (51) **LOC (9) Cl.** **28-03**
- (52) **U.S. Cl.**
USPC **D24/215**
- (58) **Field of Classification Search**
USPC D24/200, 211, 212, 213, 214, 215;
601/114, 120, 121, 124, 125, 130, 131, 134,
601/135, 136, 137
See application file for complete search history.

- D456,909 S * 5/2002 Szabo D24/214
- D461,009 S 7/2002 Viner
- 6,758,826 B2 * 7/2004 Luetzgen et al. 601/73
- D497,004 S * 10/2004 Kung D24/214

(Continued)

Primary Examiner — Sandra Snapp

(74) *Attorney, Agent, or Firm* — John C. Shepard

(57) **CLAIM**

The ornamental design for a therapy device, substantially as shown and described.

DESCRIPTION

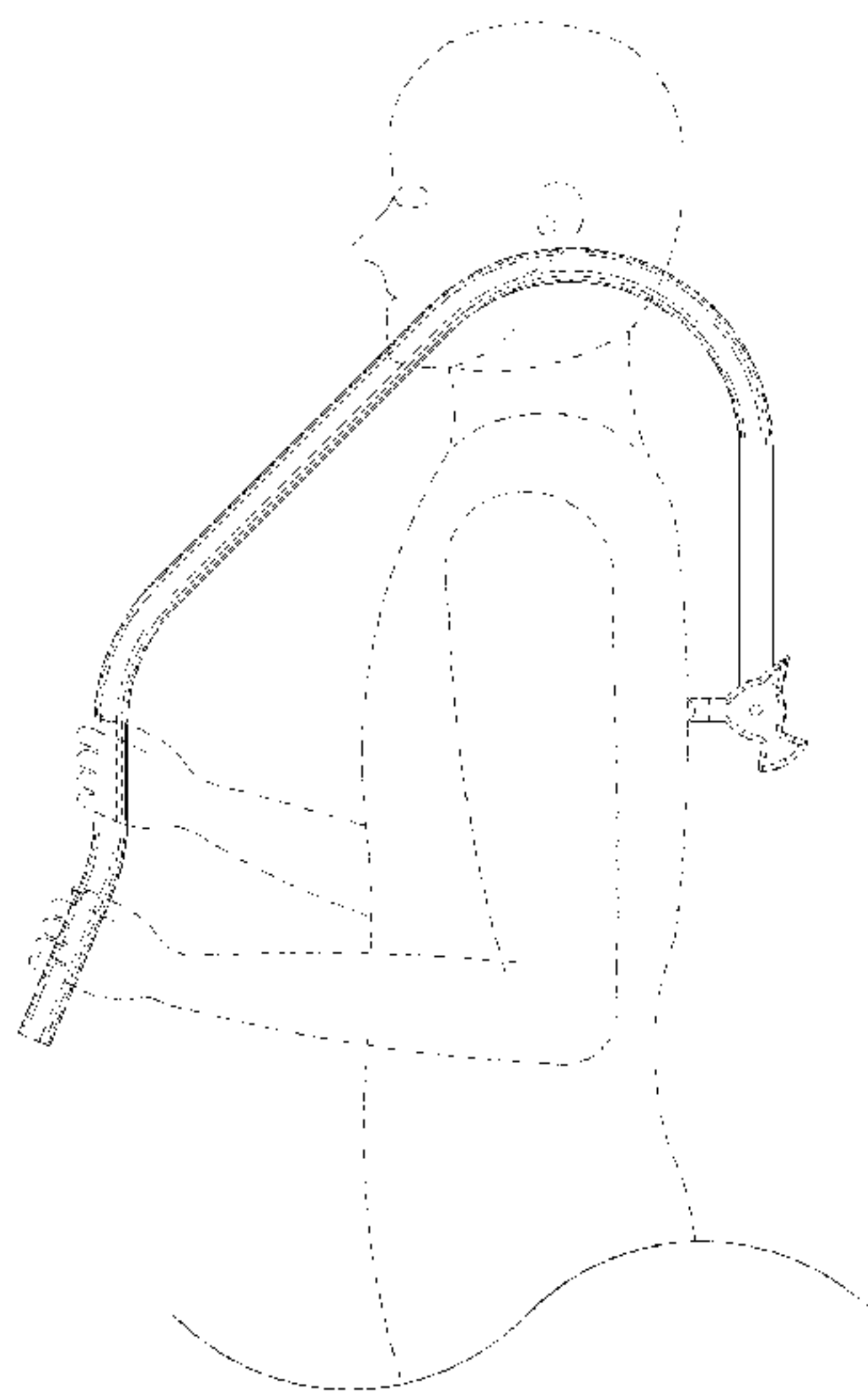
FIG. 1 is a top, front, right side perspective view of a therapy device showing my new design;
 FIG. 2 is a front elevational view of the therapy device shown in FIG. 1;
 FIG. 3 is a left side elevational view of the therapy device shown in FIG. 1;
 FIG. 4 is a top plan view of the therapy device shown in FIG. 1;
 FIG. 5 is a back elevational view of the therapy device shown in FIG. 1;
 FIG. 6 is a right side elevational view of the therapy device shown in FIG. 1;
 FIG. 7 is a bottom plan view of the therapy device shown in FIG. 1;
 FIG. 8 is a front elevational view of the therapy device shown in FIG. 1 with the tool rotated 120° clockwise to an alternative position;
 FIG. 9 is a front elevational view of the therapy device shown in FIG. 1 with the tool rotated 120° counterclockwise to an alternative position; and,
 FIG. 10 is a front elevational view of the therapy device shown in FIG. 1 as it might be employed by a user.
 The broken line indicating the human figure in FIG. 10 shows environment in the drawing and is for illustrative purposes only and forms no part of the claimed design.

(56) **References Cited**

U.S. PATENT DOCUMENTS

1,612,343	A	12/1926	Amussen	
2,441,686	A	5/1948	Cohen	
2,477,666	A	8/1949	Smallen	
D185,246	S	5/1959	Taran	
3,856,002	A	12/1974	Matsumoto	
4,266,536	A	5/1981	Casares	
D268,362	S	3/1983	Wong	
4,798,198	A	1/1989	Wright	
D317,204	S	5/1991	Henneseey	
D326,525	S *	5/1992	Shimizu	D24/214
D326,721	S	6/1992	Ujifusa et al.	
D336,959	S	6/1993	Liming	
D340,527	S *	10/1993	Goodell	D24/211
D359,124	S *	6/1995	Rosenberg	D24/211
5,560,746	A	10/1996	Willow	
D402,764	S	12/1998	Chatfield	
D403,431	S	12/1998	Gladieux, Jr.	
D405,536	S	2/1999	Haynes	
D423,676	S	4/2000	Lazio	
D436,181	S	1/2001	Lazio	
D444,566	S	7/2001	Thomas et al.	
6,261,251	B1	7/2001	Meyers	

1 Claim, 5 Drawing Sheets



US D689,620 S

Page 2

(56)

References Cited

U.S. PATENT DOCUMENTS

7,122,015 B2 * 10/2006 Luetzgen et al. 601/73
D539,915 S 4/2007 Timmer

D554,270 S 10/2007 Ano
D590,510 S 4/2009 Johansen et al.
D646,794 S 10/2011 Hennessey
D669,591 S * 10/2012 Heininen D24/214

* cited by examiner

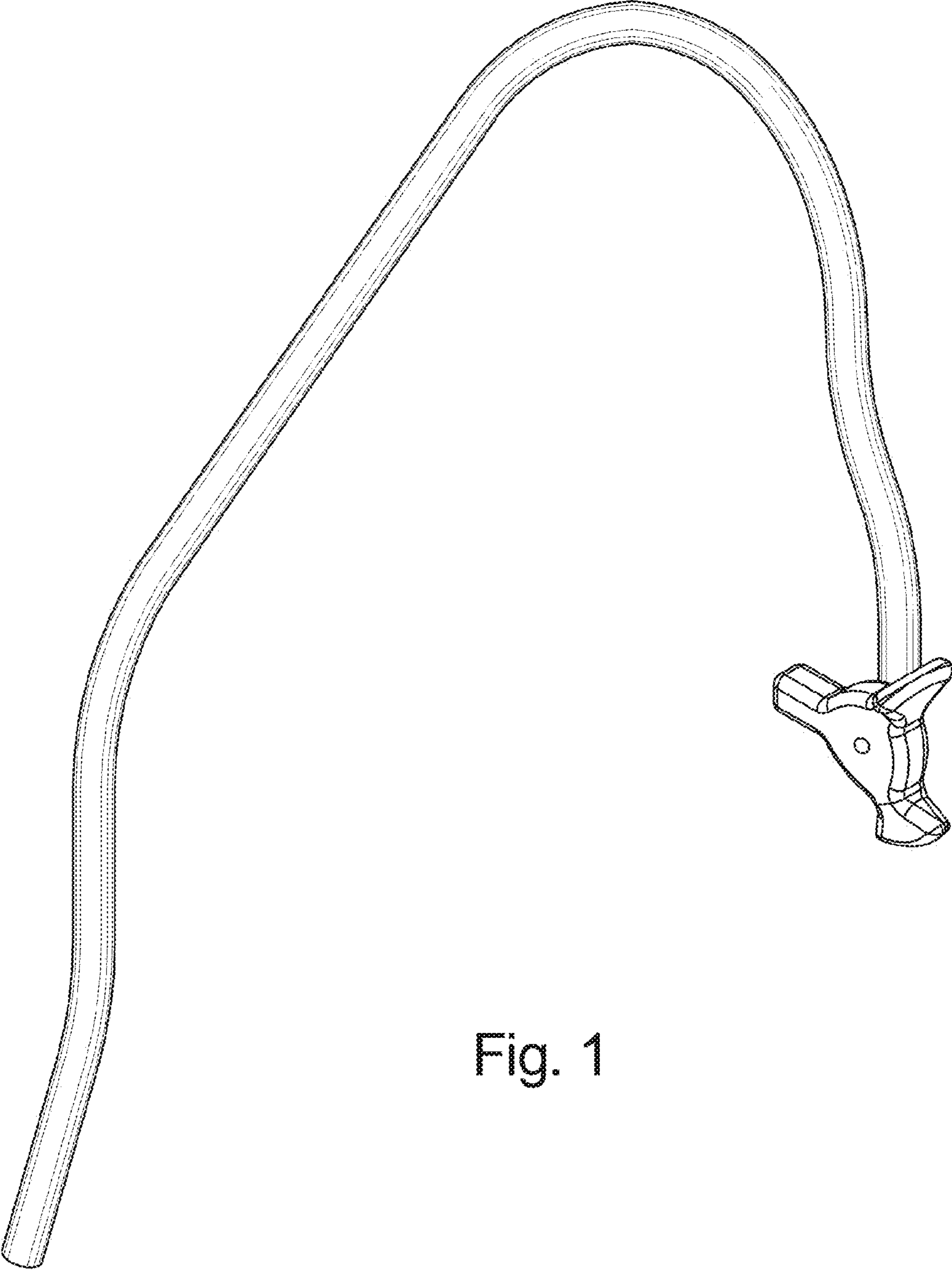


Fig. 1

Fig. 4

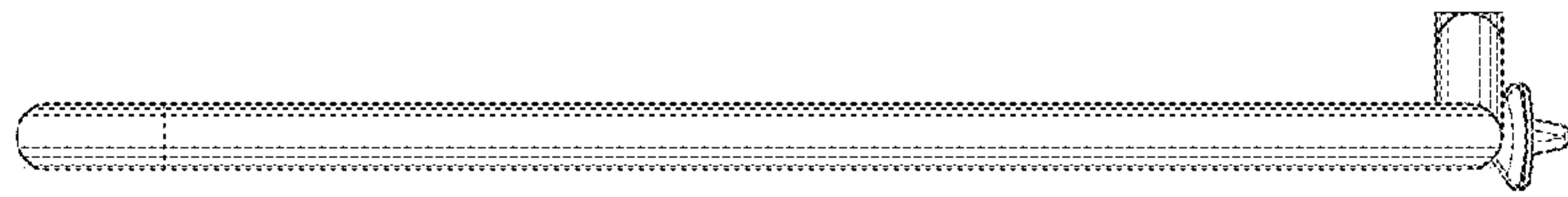


Fig. 3

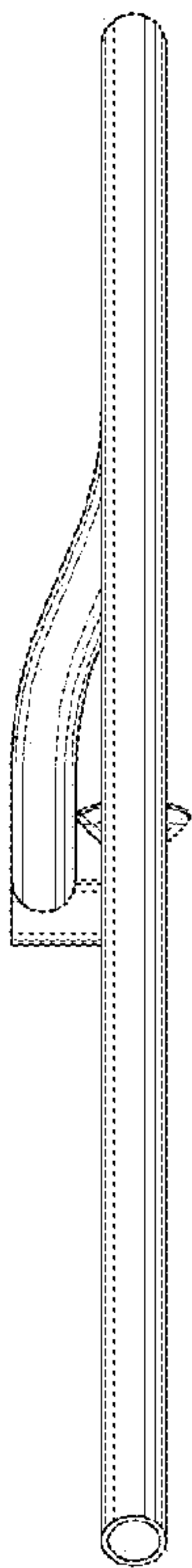


Fig. 2

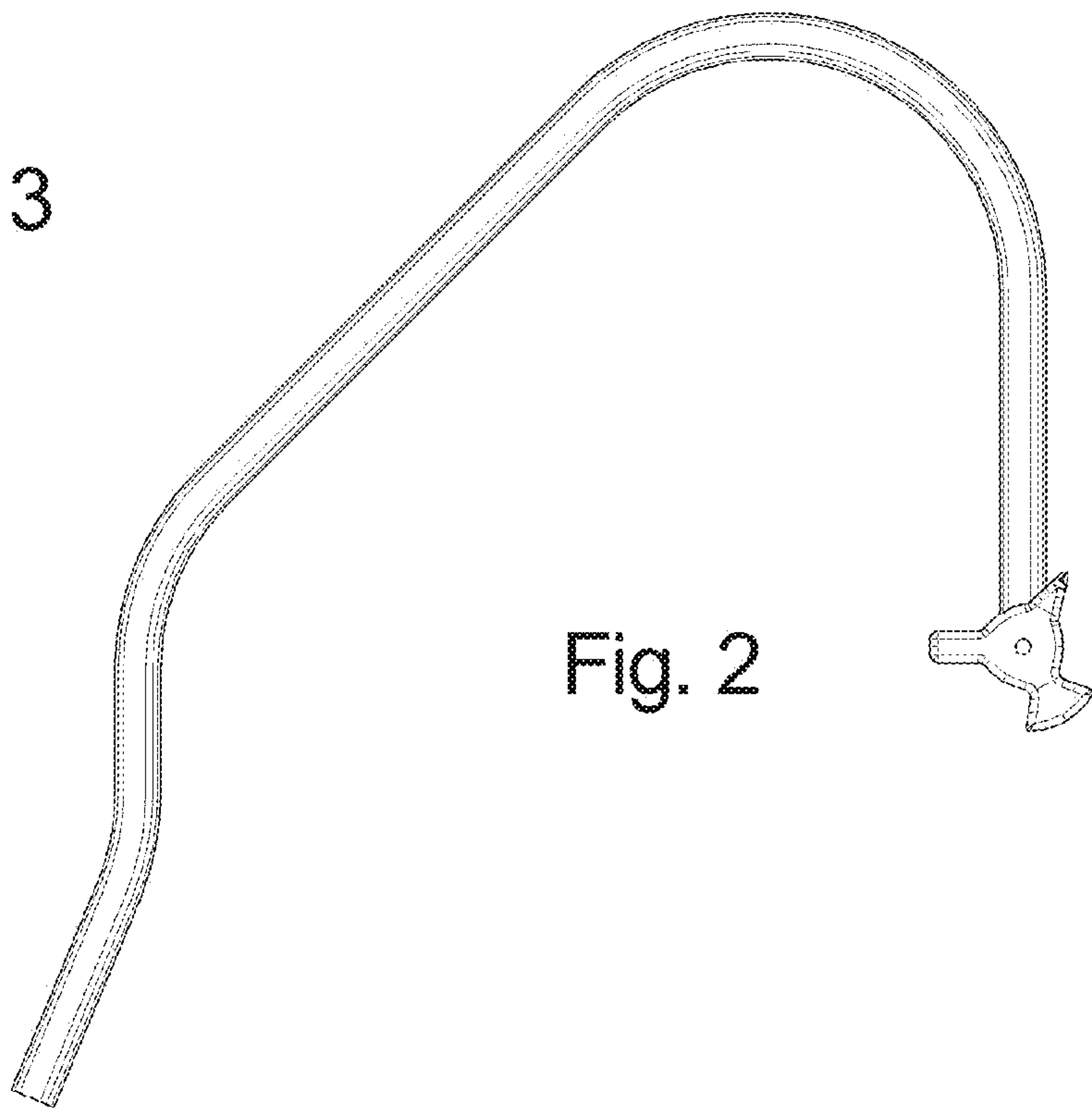


Fig. 6

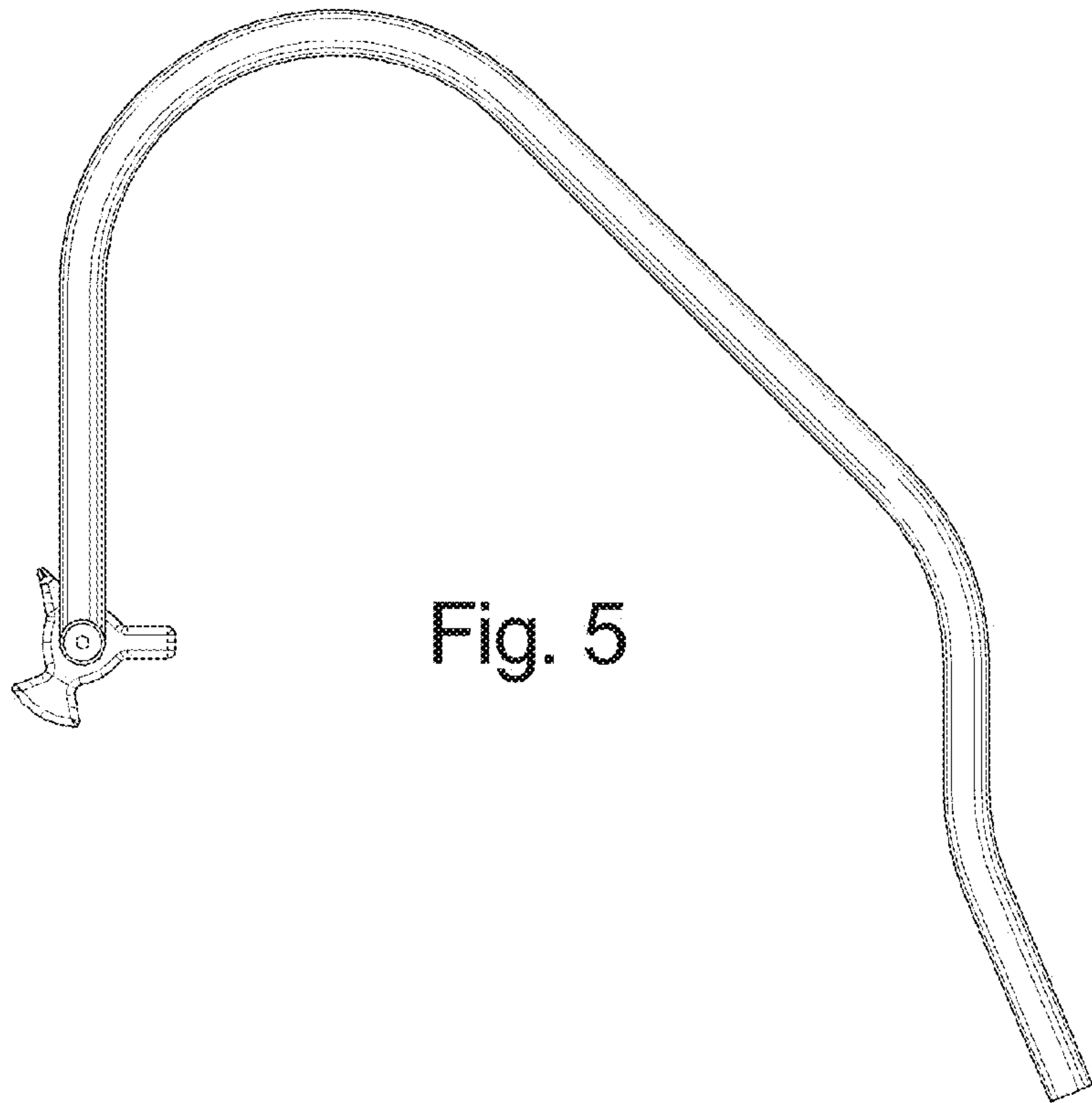
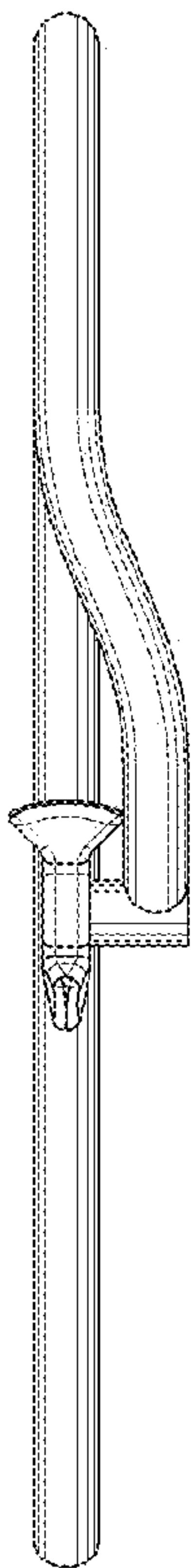
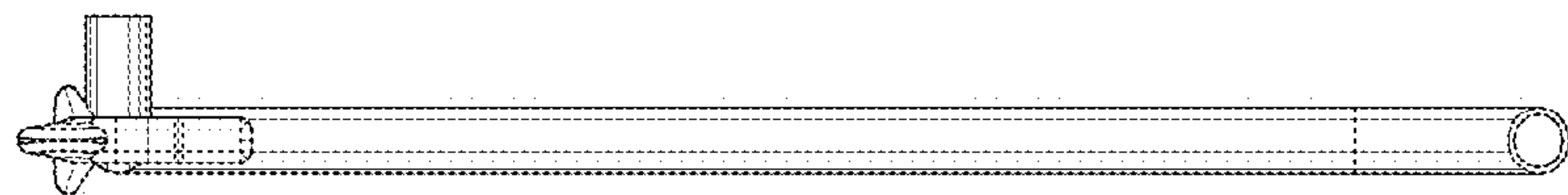


Fig. 5

Fig. 7



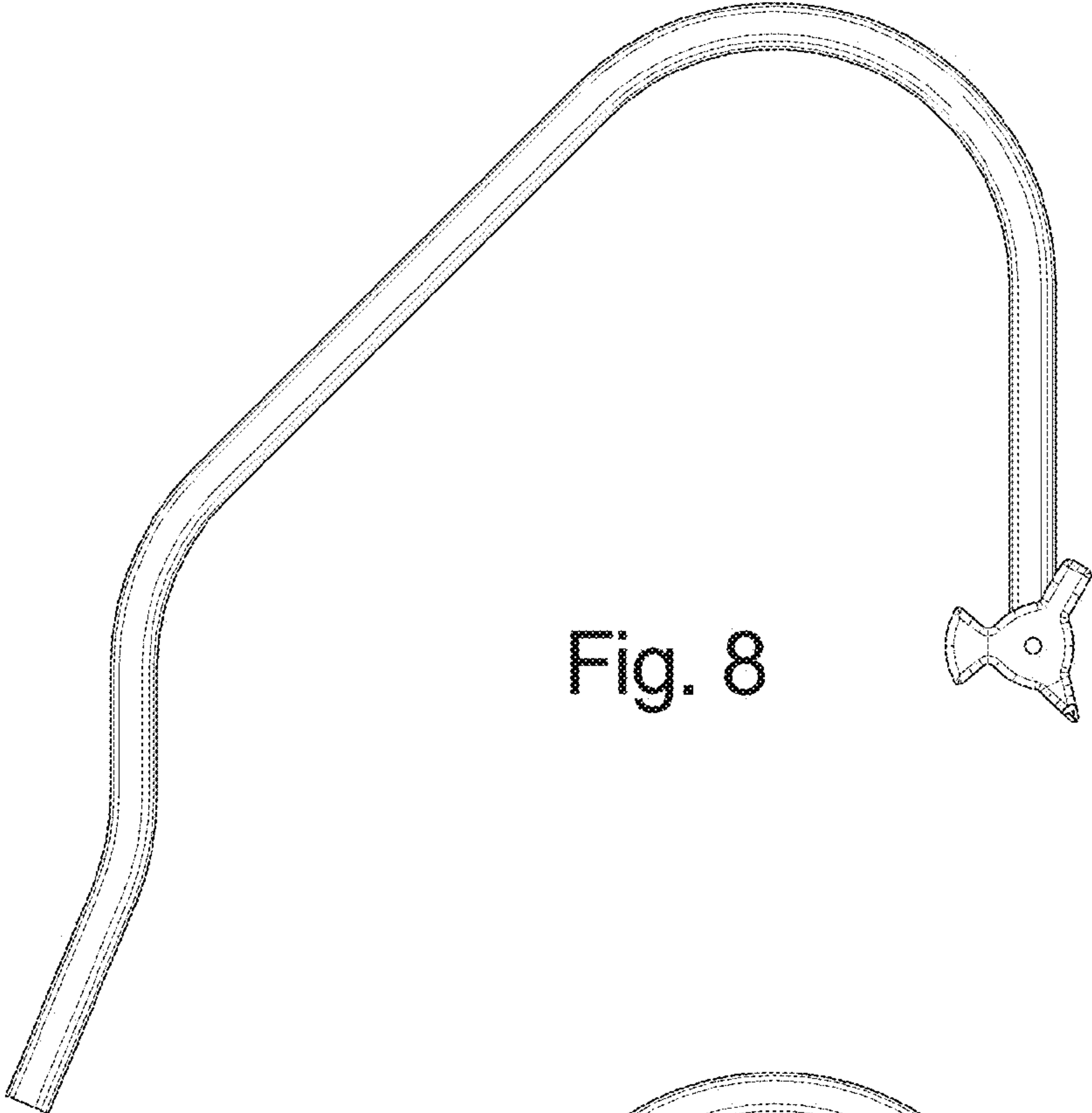


Fig. 8

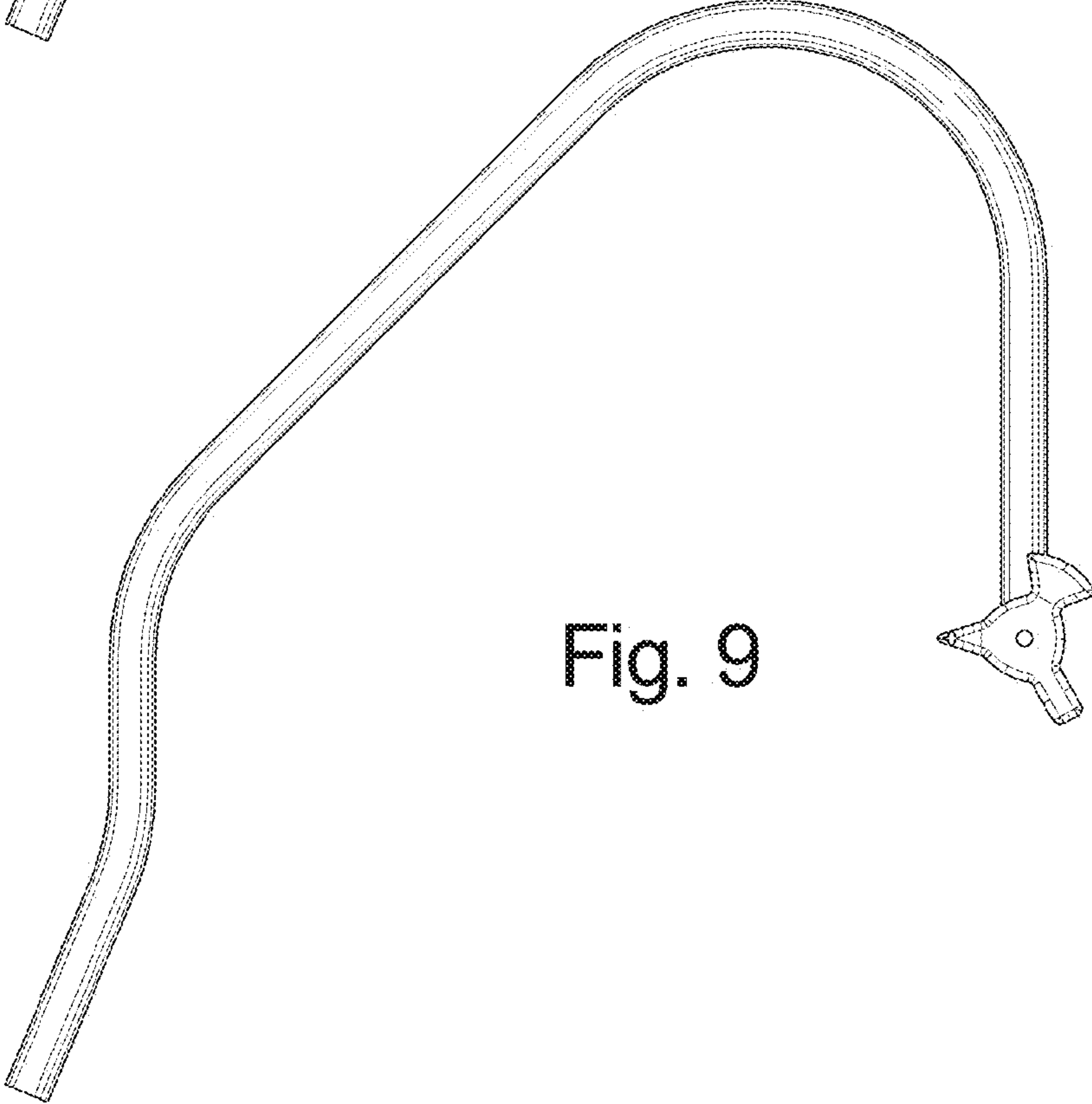


Fig. 9

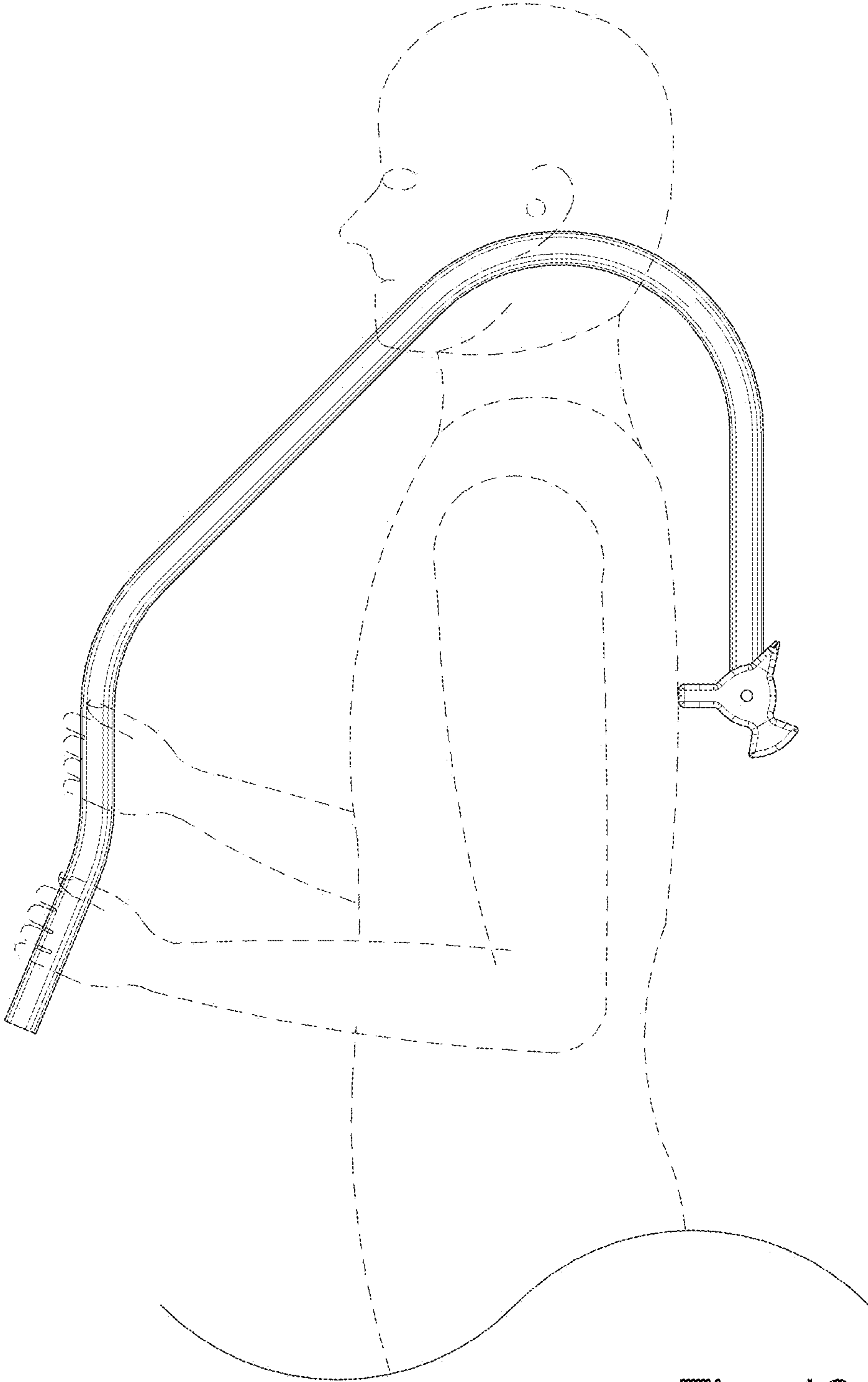


Fig. 10