



US00D689619S

(12) **United States Design Patent**  
**Sears**

(10) **Patent No.:** **US D689,619 S**

(45) **Date of Patent:** **\*\* Sep. 10, 2013**

(54) **OVAL HYDROTHERAPY JET ESCUTCHEON**

(71) Applicant: **William Sears**, Oxnard, CA (US)

(72) Inventor: **William Sears**, Oxnard, CA (US)

(73) Assignee: **Waterway Plastics**, Oxnard, CA (US)

(\*\*) Term: **14 Years**

(21) Appl. No.: **29/447,994**

(22) Filed: **Mar. 8, 2013**

(51) **LOC (9) Cl.** ..... **24-02**

(52) **U.S. Cl.**  
USPC ..... **D24/201**

(58) **Field of Classification Search**  
USPC ..... D24/201, 204, 205; D23/254, 277,  
D23/278, 276, 280.1-280.3; 601/154-158;  
4/541.1-541.6, 547, 578.1, 579  
See application file for complete search history.

(56) **References Cited**

U.S. PATENT DOCUMENTS

D400,652 S *	11/1998	Hart et al.	.....	D23/254
D402,008 S *	12/1998	Hill et al.	.....	D23/254
D406,638 S *	3/1999	Powell et al.	.....	D23/254
D460,192 S *	7/2002	Collins et al.	.....	D24/204
D463,849 S *	10/2002	Otero	.....	D23/254
D468,404 S *	1/2003	Hunter	.....	D23/254

D468,409 S *	1/2003	Lord	.....	D23/254
D472,964 S *	4/2003	Marshall	.....	D23/254
D531,704 S *	11/2006	Funck et al.	.....	D23/254
D534,249 S *	12/2006	Gilbert	.....	D23/254
D594,129 S *	6/2009	Huff et al.	.....	D24/201
D596,270 S *	7/2009	Hanna	.....	D23/254
D626,633 S *	11/2010	Montgomery	.....	D23/254

\* cited by examiner

*Primary Examiner* — David Muller

(74) *Attorney, Agent, or Firm* — Sandy Lipkin

(57) **CLAIM**

The ornamental design for oval hydrotherapy jet escutcheon, as shown and described.

**DESCRIPTION**

FIG. 1 is a perspective view of the oval hydrotherapy jet escutcheon.

FIG. 2 is a first side elevation view thereof;

FIG. 3 is a second side elevation view thereof;

FIG. 4 is a third side elevation view thereof;

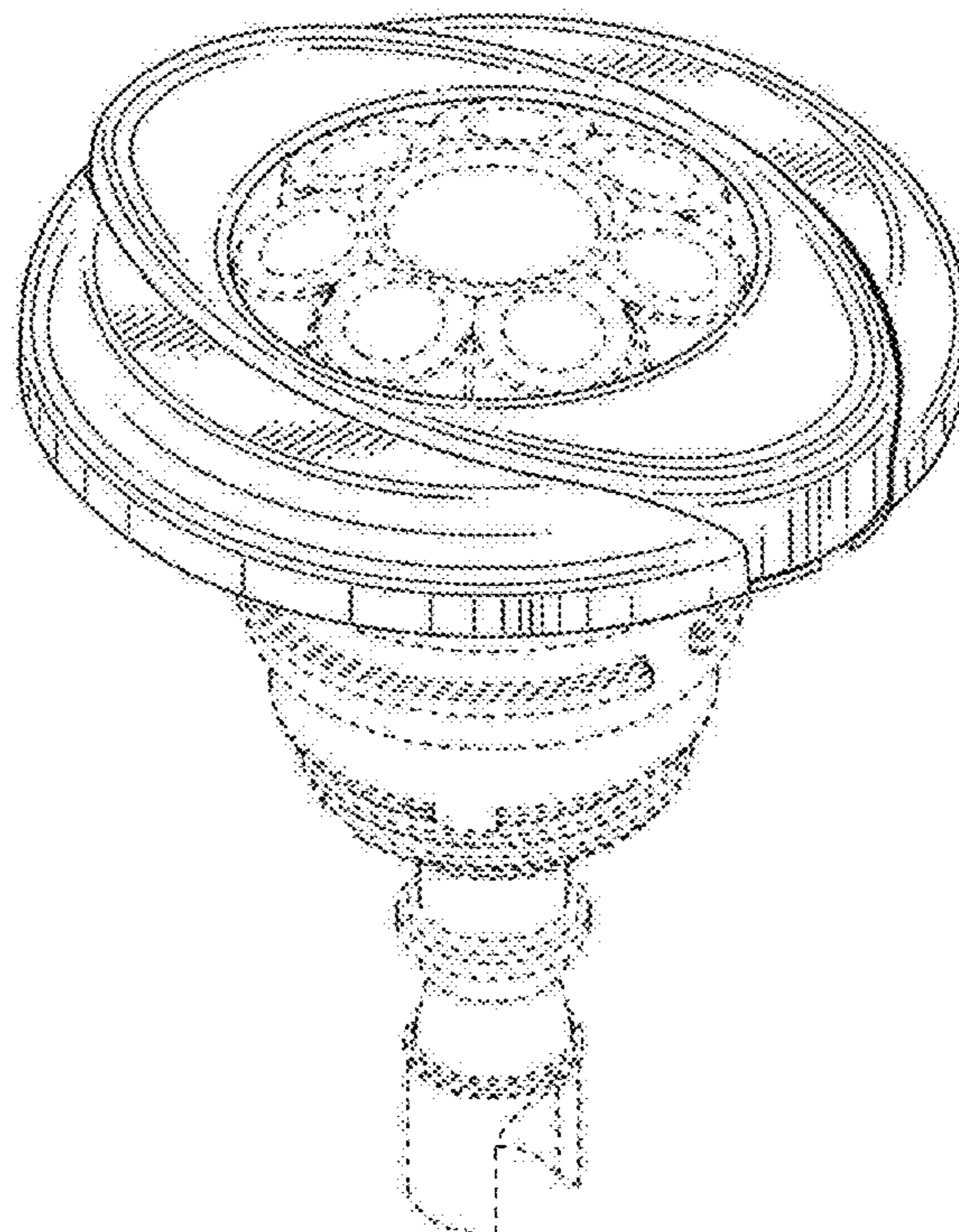
FIG. 5 is a fourth side elevation view thereof;

FIG. 6 is a top plan view thereof; and,

FIG. 7 is a bottom plan view thereof.

The broken line showing of parts of the drawings is included for the purpose of illustrating use and environment and forms no part of the claimed design.

**1 Claim, 4 Drawing Sheets**



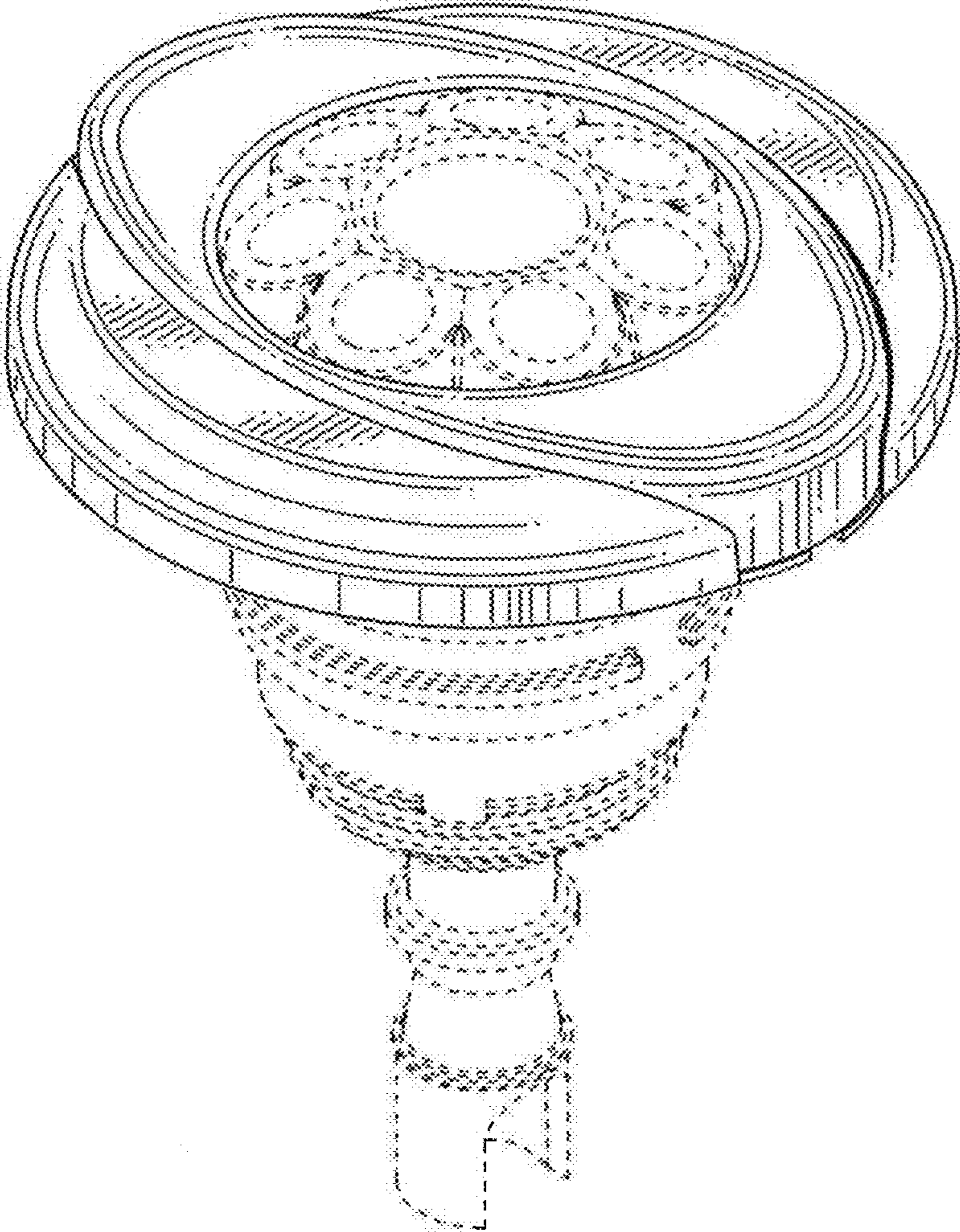


FIG. 1

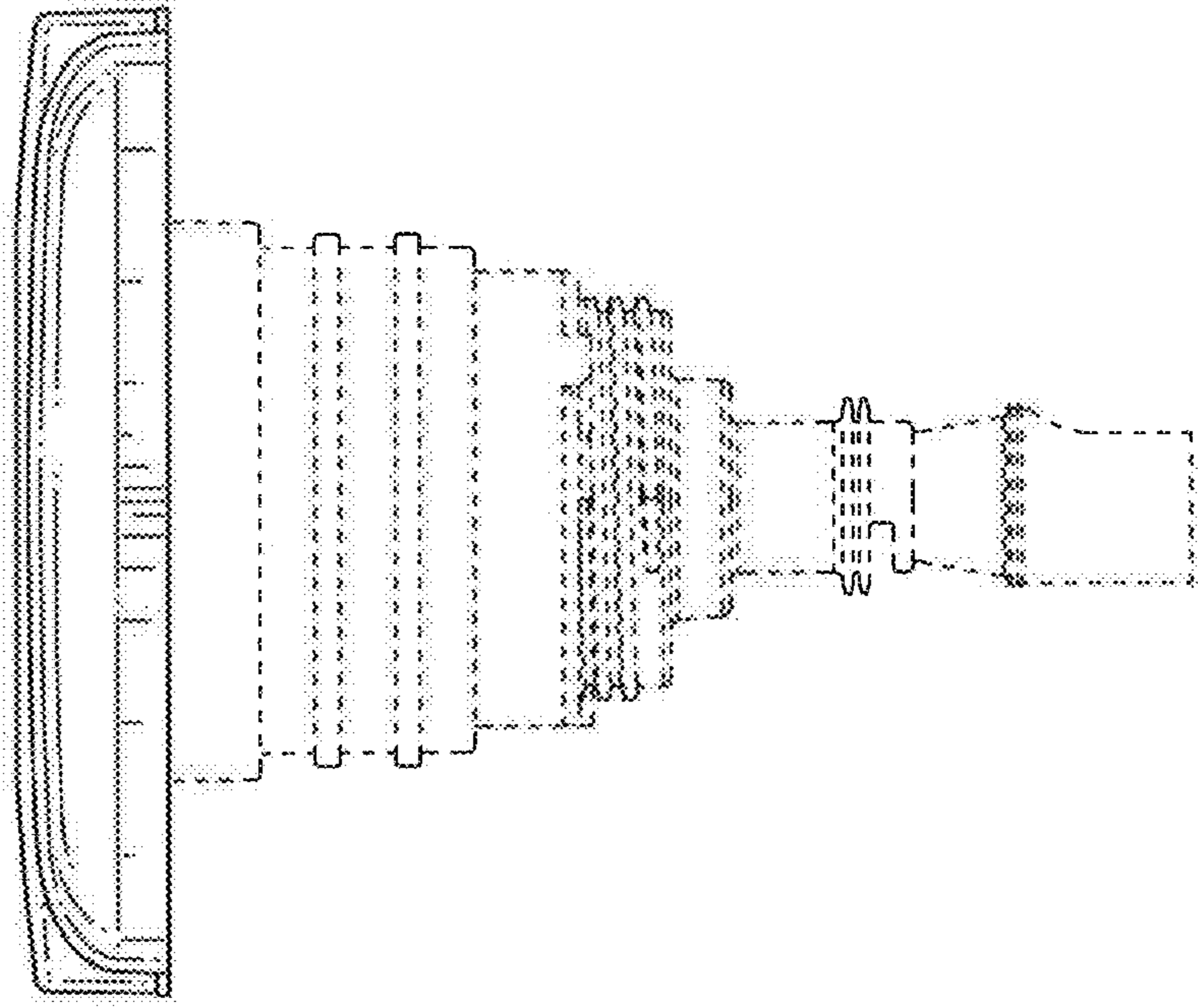


FIG. 2

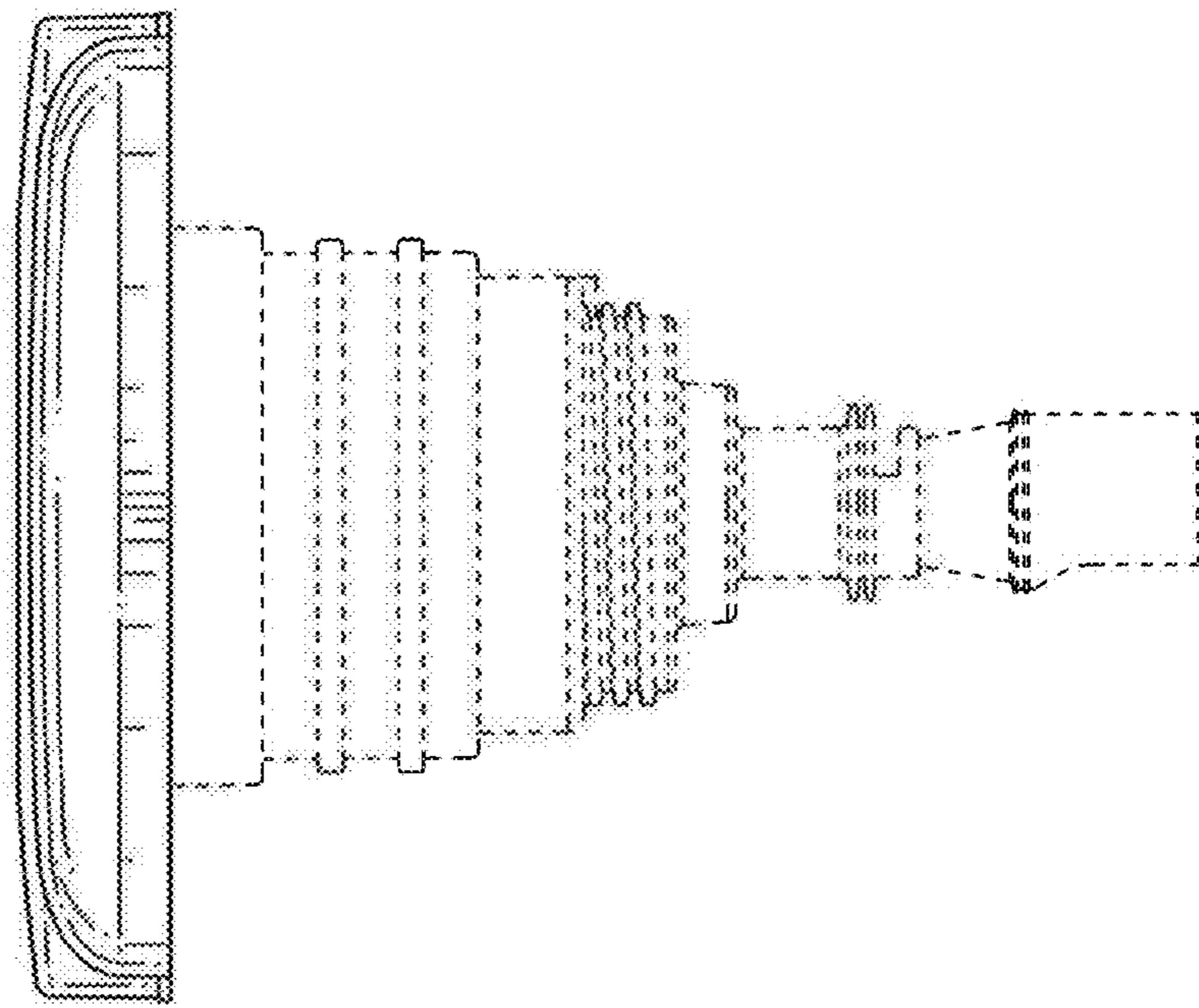


FIG. 3

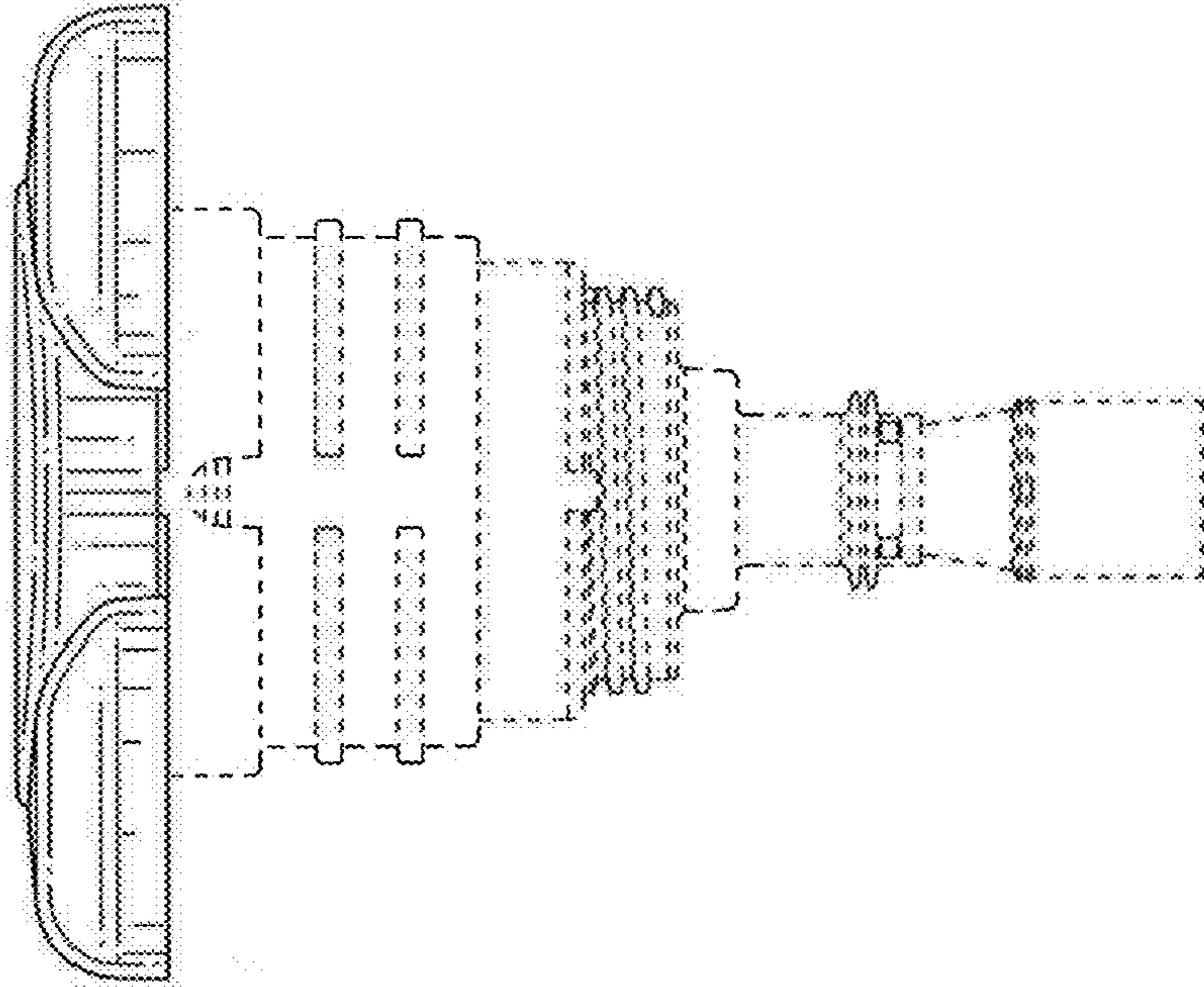


FIG. 4

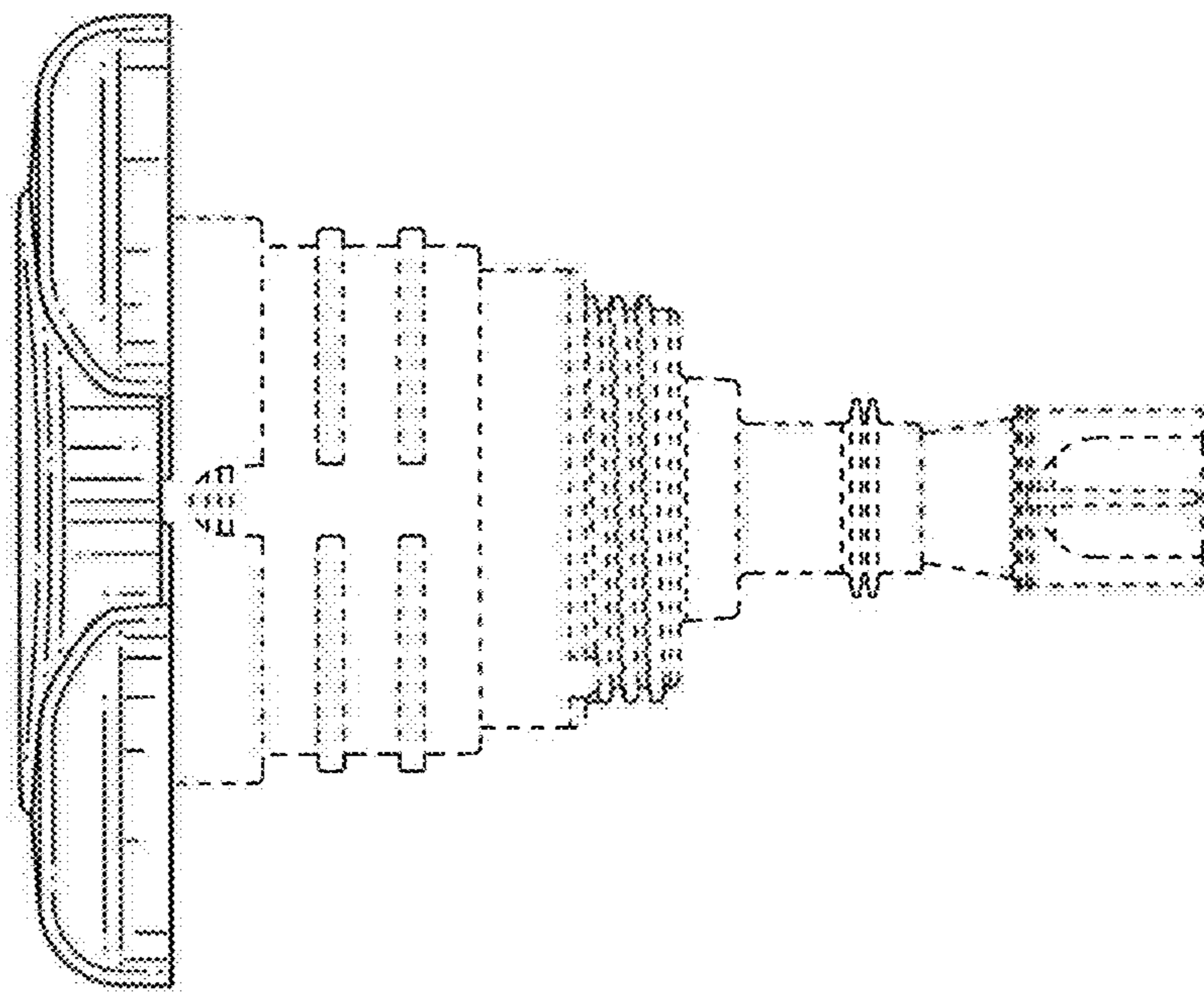


FIG. 5

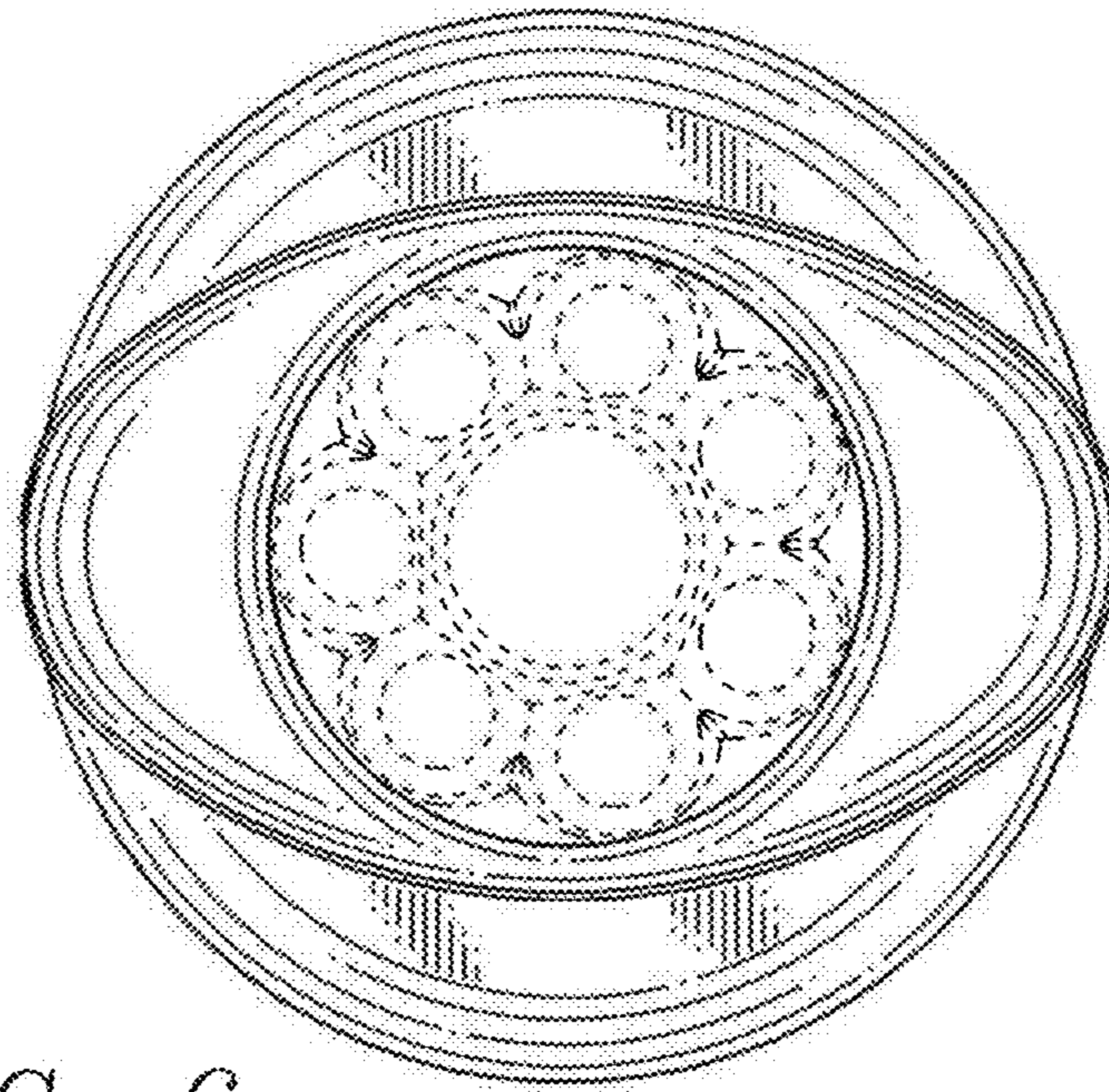


FIG. 6

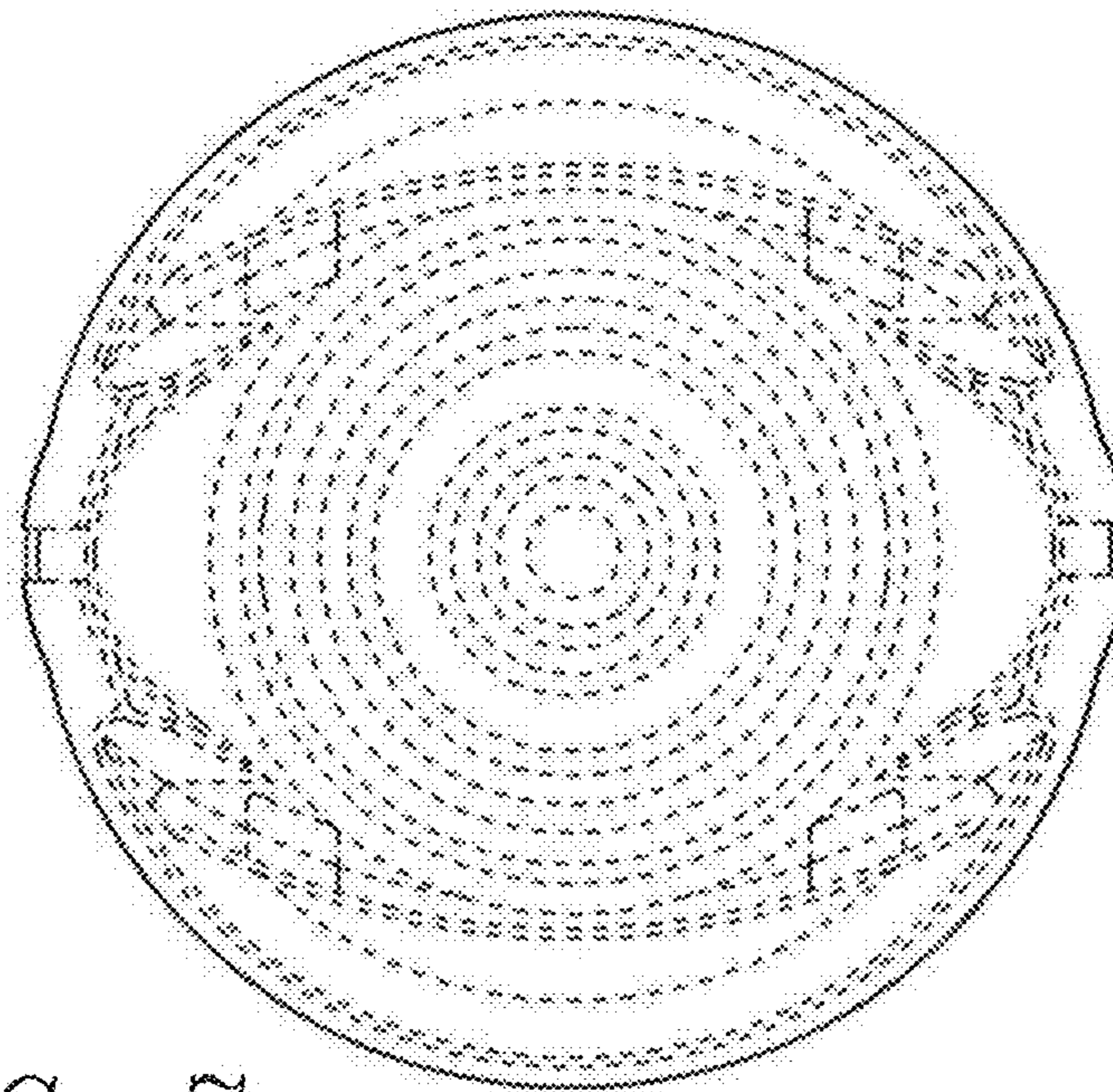


FIG. 7