



US00D689607S

(12) **United States Design Patent**
Cyphery et al.

(10) **Patent No.:** **US D689,607 S**

(45) **Date of Patent:** **** Sep. 10, 2013**

(54) **FUNCTIONAL CAPACITY EVALUATOR**

(75) Inventors: **Charles Dean Cyphery**, Albuquerque, NM (US); **Marco N. Vitiello**, Miami, FL (US)

(73) Assignee: **Medical Technologies Unlimited, Inc.**, Miami, FL (US)

(**) Term: **14 Years**

(21) Appl. No.: **29/405,718**

(22) Filed: **Nov. 4, 2011**

(51) **LOC (9) Cl.** **24-02**

(52) **U.S. Cl.**
USPC **D24/133**

(58) **Field of Classification Search**
USPC D24/112, 130, 133, 135, 137, 138, D24/140, 147, 149; 600/476, 300, 546, 587, 600/595; 73/379.02

See application file for complete search history.

(56) **References Cited**

U.S. PATENT DOCUMENTS

5,125,270	A	6/1992	Kovacevic	
5,170,663	A	12/1992	Kovacevic	
5,269,738	A	12/1993	Boren	
D579,563	S *	10/2008	Hensler et al.	D24/138
D580,549	S *	11/2008	Schwartz et al.	D24/133
D653,338	S *	1/2012	Mangeshikar	D24/133
2003/0125171	A1	7/2003	He	
2004/0220490	A1	11/2004	Appel et al.	
2005/0021294	A1	1/2005	Trsar et al.	

2007/0074720	A1 *	4/2007	Schwartz et al.	128/200.26
2007/0167859	A1	7/2007	Finneran et al.	
2009/0299210	A1	12/2009	Marcarian	
2009/0326406	A1	12/2009	Tan et al.	
2012/0137771	A1 *	6/2012	Cyphery et al.	73/379.02
2012/0143064	A1 *	6/2012	Cyphery et al.	600/476

OTHER PUBLICATIONS

International Search Report issued in International Patent Application No. PCT/US11/59393 dated May 9, 2012.

Office Action issued in corresponding U.S. Appl. No. 13/289,775, dated Jun. 6, 2013.

* cited by examiner

Primary Examiner — Bridget L Eland

(74) *Attorney, Agent, or Firm* — McDermott Will & Emery LLP

(57) **CLAIM**

The ornamental design for a functional capacity evaluator, as shown and described.

DESCRIPTION

FIG. 1 is a front perspective view of the functional capacity evaluator, showing the new design;

FIG. 2 is a front view of the functional capacity evaluator;

FIG. 3 is a rear view of the functional capacity evaluator;

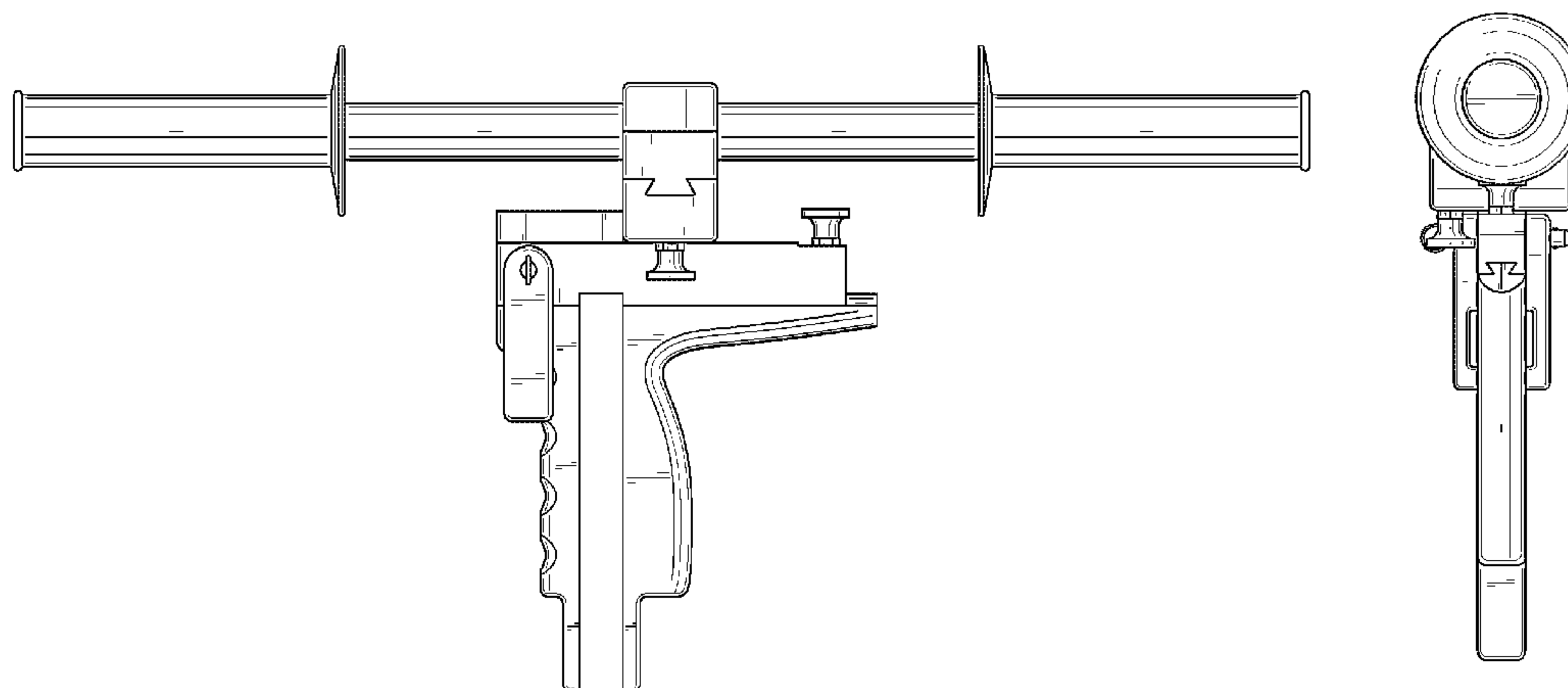
FIG. 4 is a side view of the functional capacity evaluator;

FIG. 5 is another side view of the functional capacity evaluator;

FIG. 6 is a top view of the functional capacity evaluator; and,

FIG. 7 is a bottom view of the functional capacity evaluator.

1 Claim, 6 Drawing Sheets



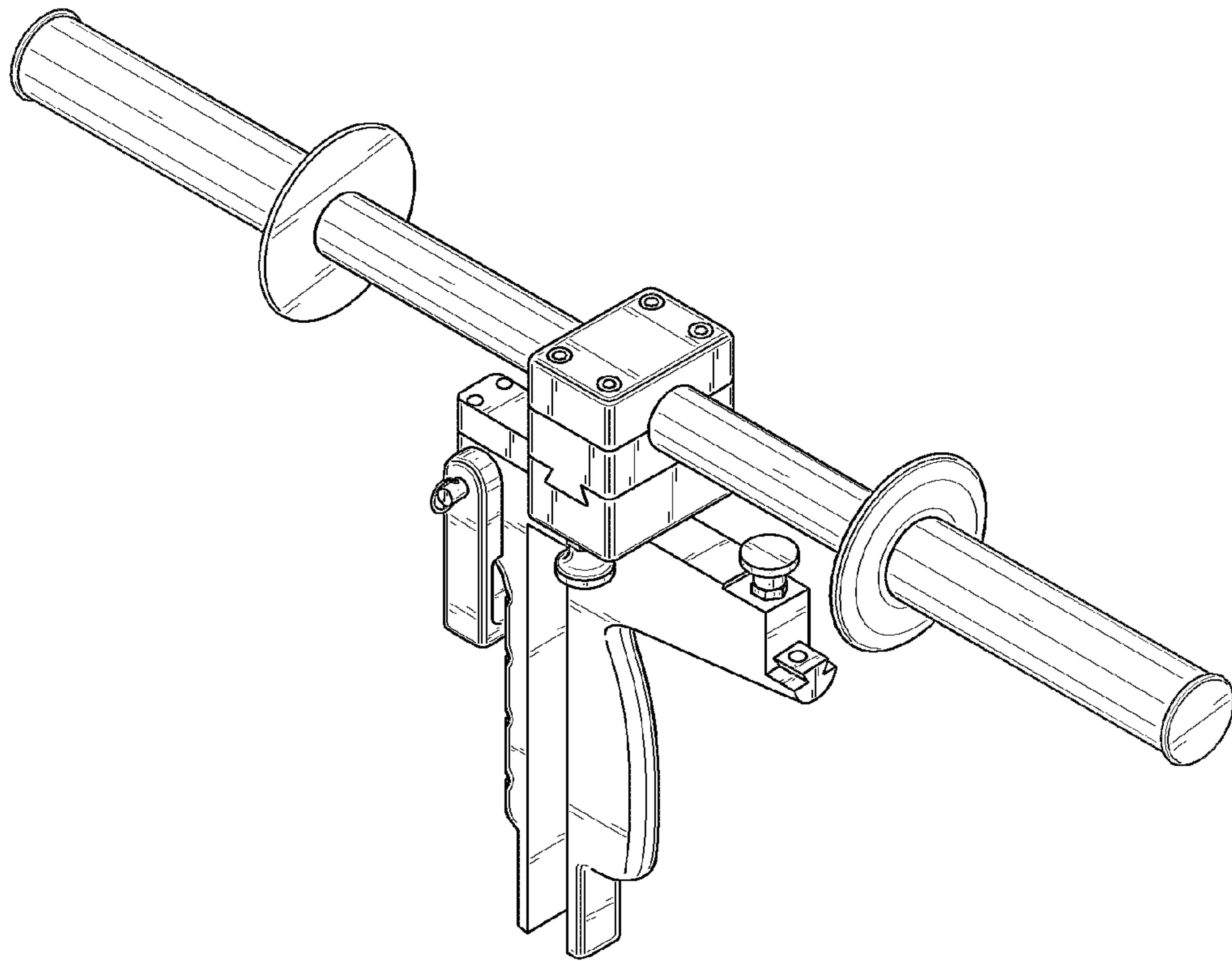


FIG. 1

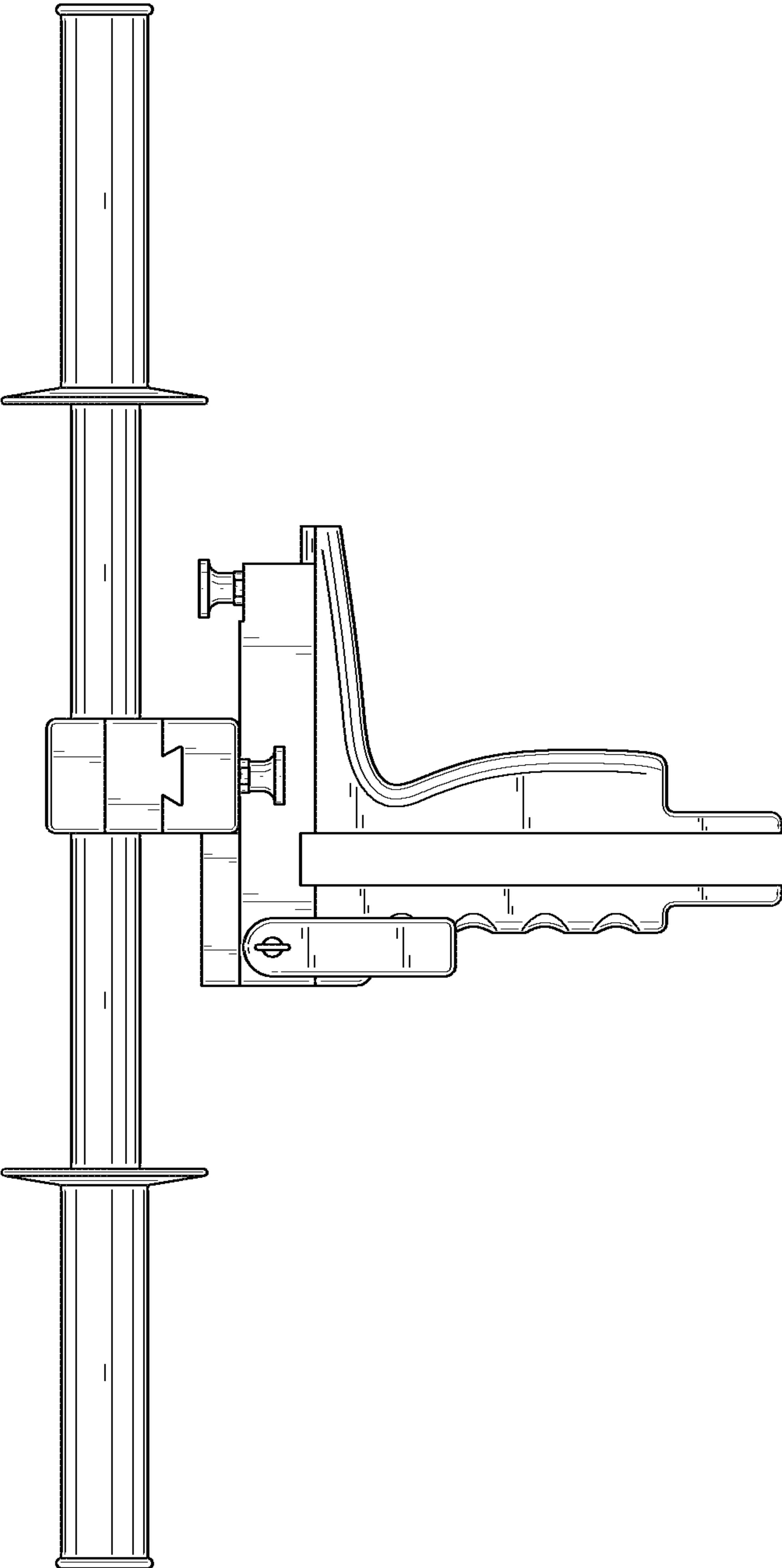


FIG. 2

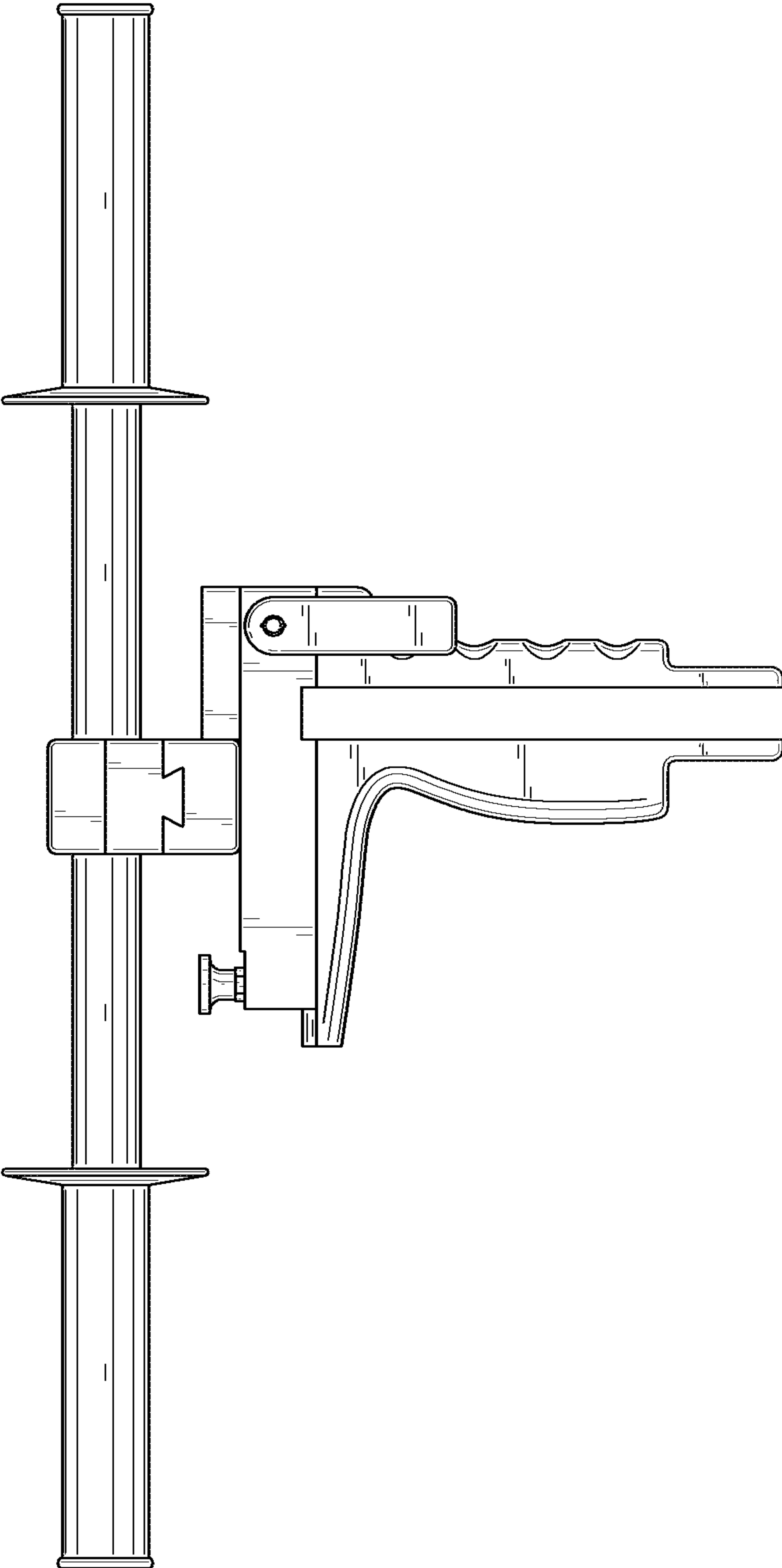


FIG. 3

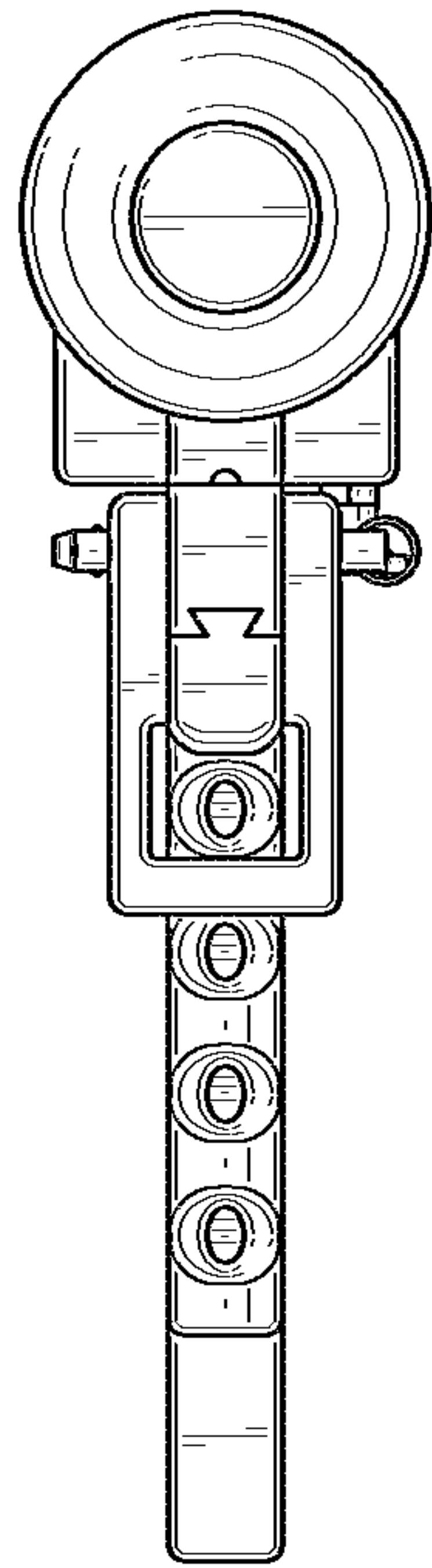


FIG. 4

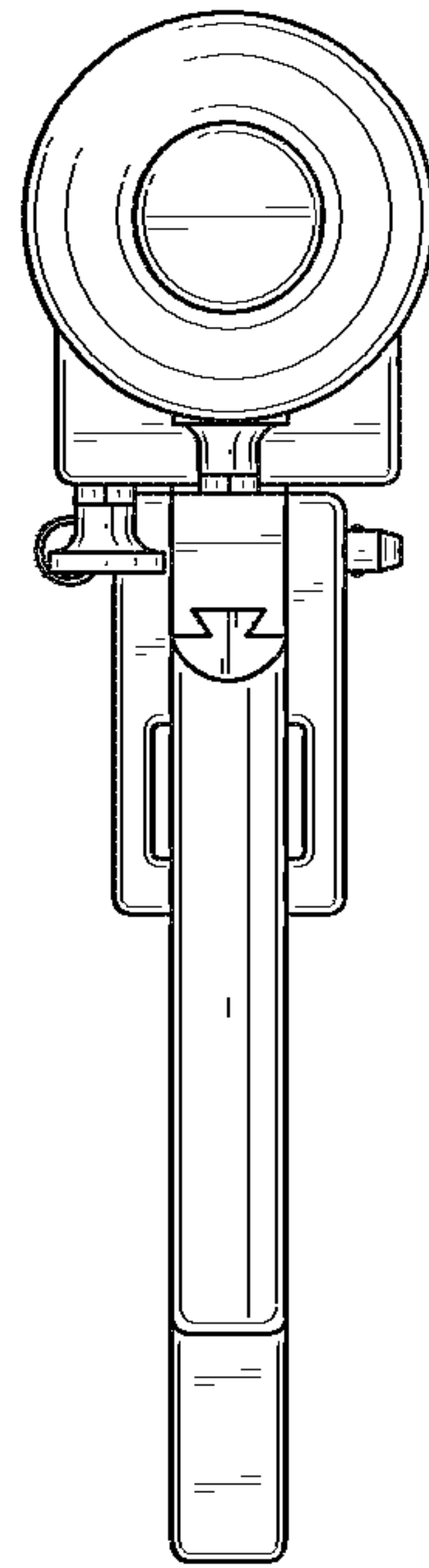


FIG. 5

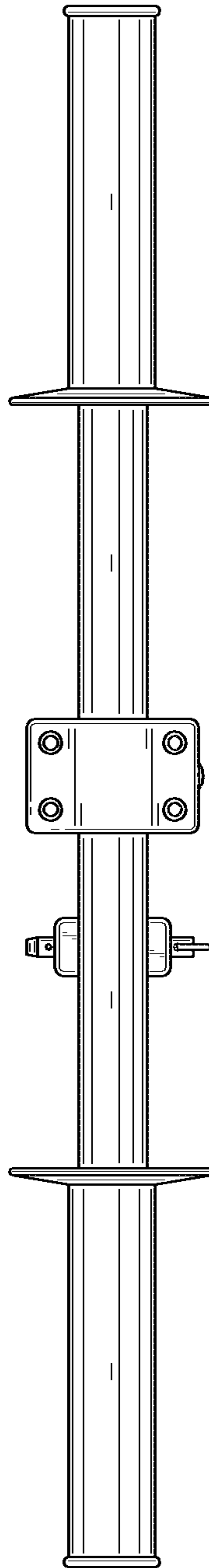


FIG. 6

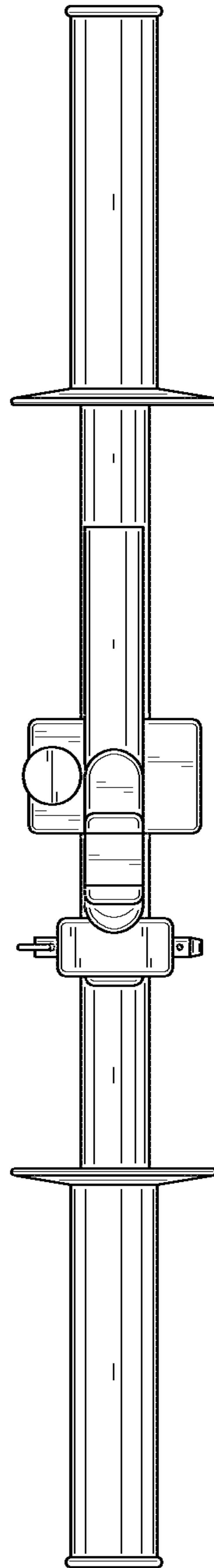


FIG. 7