



US00D689606S

(12) **United States Design Patent**
John et al.

(10) **Patent No.:** **US D689,606 S**

(45) **Date of Patent:** **** Sep. 10, 2013**

(54) **RAT TOOTH GRASPER ASSEMBLY WITH IDENTICAL JAWS**

(74) *Attorney, Agent, or Firm* — Calfee, Halter & Griswold LLP

(75) Inventors: **Keith R. John**, Chardon, OH (US);
Stephen T. Pastor, Sagamore Hills, OH (US); **Scott Haack**, Chardon, OH (US);
Steven J. Torer, Willoughby, OH (US)

(57) **CLAIM**
The ornamental design for a rat tooth grasper assembly with identical jaws, as shown and described.

(73) Assignee: **United States Endoscopy Group, Inc.**, Mentor, OH (US)

DESCRIPTION

(**) Term: **14 Years**

(21) Appl. No.: **29/401,032**

FIG. 1 is a perspective view of a rat tooth grasper assembly with identical jaws showing our new design in an open position.

(22) Filed: **Sep. 6, 2011**

FIG. 2 is a perspective thereof shown in a closed position.

(51) **LOC (9) Cl.** **24-02**

FIG. 3 is a right side elevational view thereof shown in an open position.

(52) **U.S. Cl.**

USPC **D24/133; D24/143**

FIG. 4 is a front end view thereof shown in an open position.

(58) **Field of Classification Search**

USPC D24/133, 143, 144, 145, 146-149,
D24/153, 138; 606/142, 143, 205, 207, 49-52,
606/107, 206, 208, 101

FIG. 5 is a front end view thereof shown in a closed position.
FIG. 6 is a right side elevational view thereof shown in a closed position.

See application file for complete search history.

FIG. 7 is an exploded perspective view thereof in a closed position with the upper jaw moved to a foreground position and a lower jaw moved to a background position.

(56) **References Cited**

U.S. PATENT DOCUMENTS

2,034,785	A	3/1936	Wappler
2,618,268	A	11/1952	English
2,668,538	A	2/1954	Baker
2,842,132	A	7/1958	Soltero et al.
4,598,699	A	7/1986	Garren et al.
D289,683	S	5/1987	Gilfillan
5,170,800	A	12/1992	Smith et al.
5,304,203	A	4/1994	El-Mallawany et al.
5,575,805	A	11/1996	Li
5,922,008	A	7/1999	Gimpelson

(Continued)

FIG. 8 is a right side elevational view of the upper jaw of FIG. 7

FIG. 9 is a front end view thereof.

FIG. 10 is a bottom plan view thereof.

FIG. 11 is a right side view of the upper jaw of FIG. 10 and the lower jaw of FIG. 7 thereof.

FIG. 12 is a bottom plan view of the upper jaw of FIG. 11 and the lower jaw of FIG. 7 thereof.

FIG. 13 is a rear view of the upper jaw of FIG. 11.

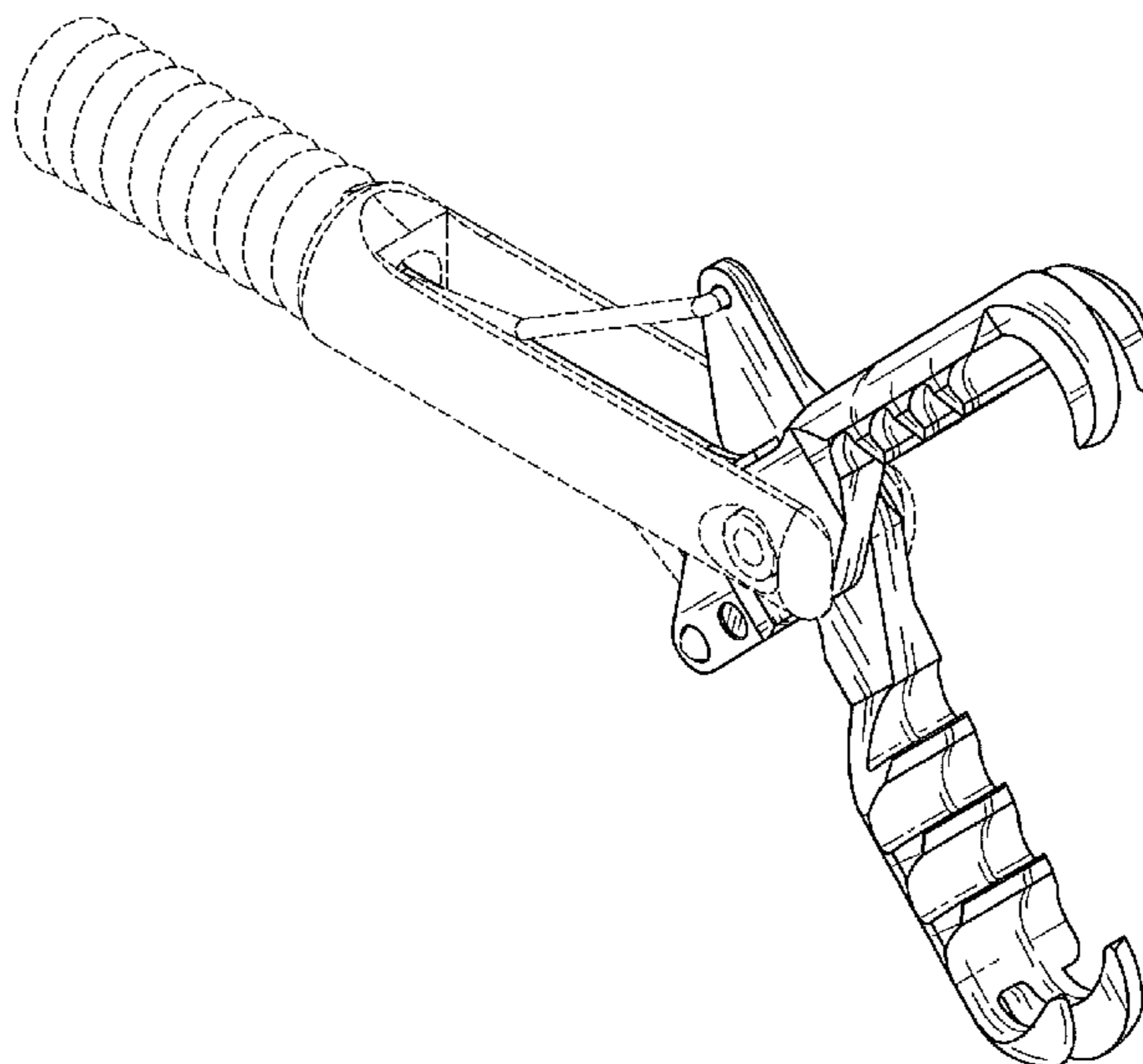
FIG. 14 is a perspective view of the lower jaw of FIG. 7 thereof; and,

FIG. 15 is a perspective view of the lower jaw of FIG. 14 thereof.

The broken lines shown in FIGS. 1-7 are included for the purpose of illustrating environmental elements only, and form no part of the claimed design.

Primary Examiner — Mark Goodwin

1 Claim, 4 Drawing Sheets



(56)

References Cited

U.S. PATENT DOCUMENTS

6,077,280 A 6/2000 Fossum
 6,129,683 A * 10/2000 Sutton et al. 600/564
 6,159,162 A 12/2000 Kostylev et al.
 6,273,860 B1 8/2001 Kostylev et al.
 6,309,404 B1 * 10/2001 Krzyzanowski 606/208
 6,824,548 B2 * 11/2004 Smith et al. 606/143
 6,843,794 B2 * 1/2005 Sixto et al. 606/142
 6,945,979 B2 * 9/2005 Kortenbach et al. 606/143
 7,070,602 B2 * 7/2006 Smith et al. 606/143
 7,090,685 B2 * 8/2006 Kortenbach et al. 606/142
 7,223,272 B2 5/2007 Francese et al.
 D545,432 S 6/2007 Watanabe
 D575,400 S 8/2008 Patterson et al.

7,448,525 B2 * 11/2008 Shelton et al. 227/176.1
 D590,944 S 4/2009 Watanabe
 D610,680 S 2/2010 Blocher
 7,828,811 B2 11/2010 Kortenbach et al.
 D632,788 S 2/2011 Thouement
 D634,427 S * 3/2011 Nishimura D24/148
 7,927,327 B2 * 4/2011 Lu et al. 606/1
 7,942,885 B2 * 5/2011 Sixto et al. 606/143
 2001/0021861 A1 * 9/2001 Boebel et al. 606/207
 2002/0068946 A1 * 6/2002 Kortenbach et al. 606/142
 2002/0165580 A1 * 11/2002 Zwiefel et al. 606/205
 2005/0090838 A1 * 4/2005 Sixto et al. 606/142
 2007/0250111 A1 * 10/2007 Lu et al. 606/205
 2008/0294178 A1 * 11/2008 Kortenbach et al. 606/142

* cited by examiner

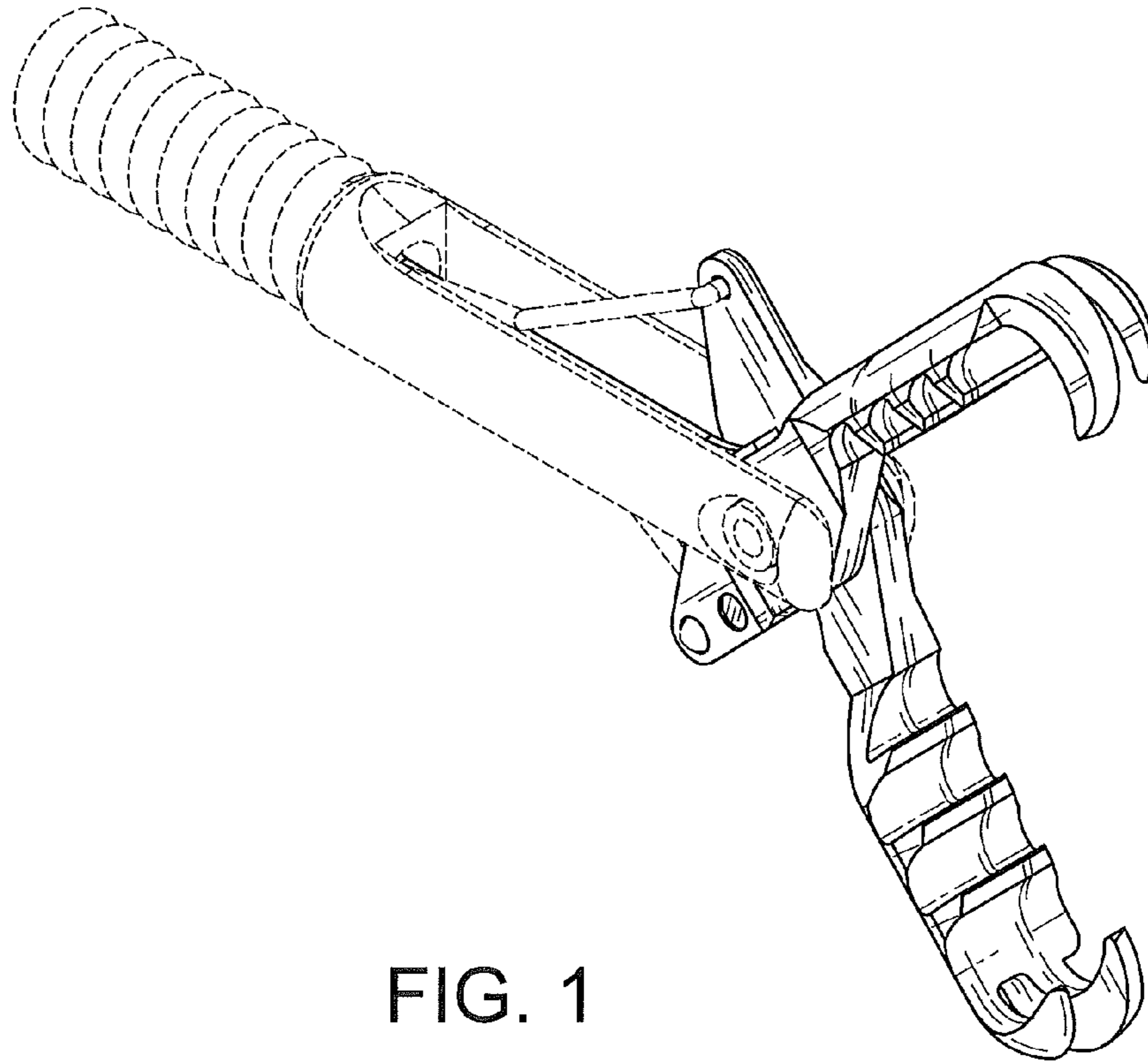


FIG. 1

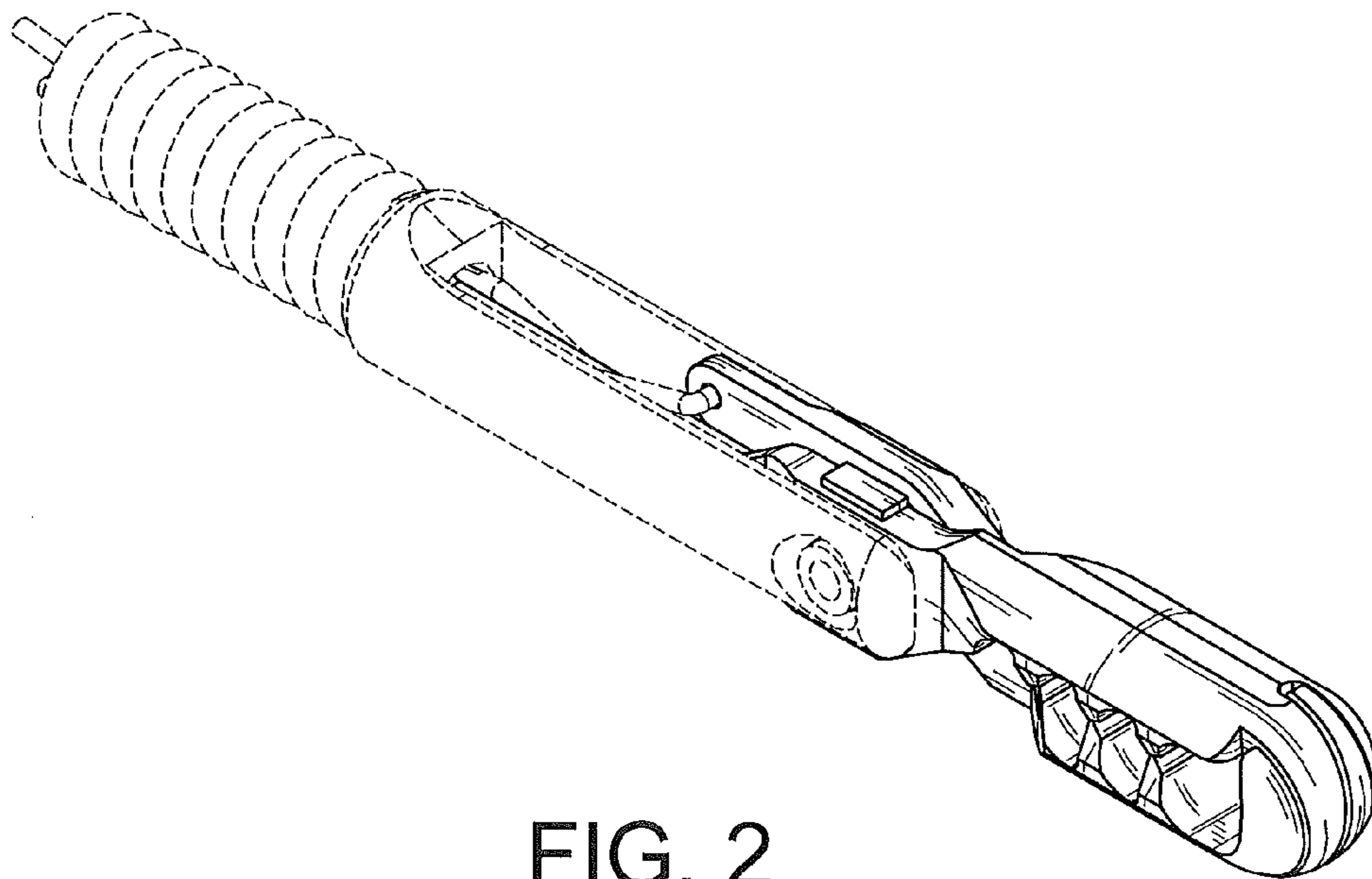


FIG. 2

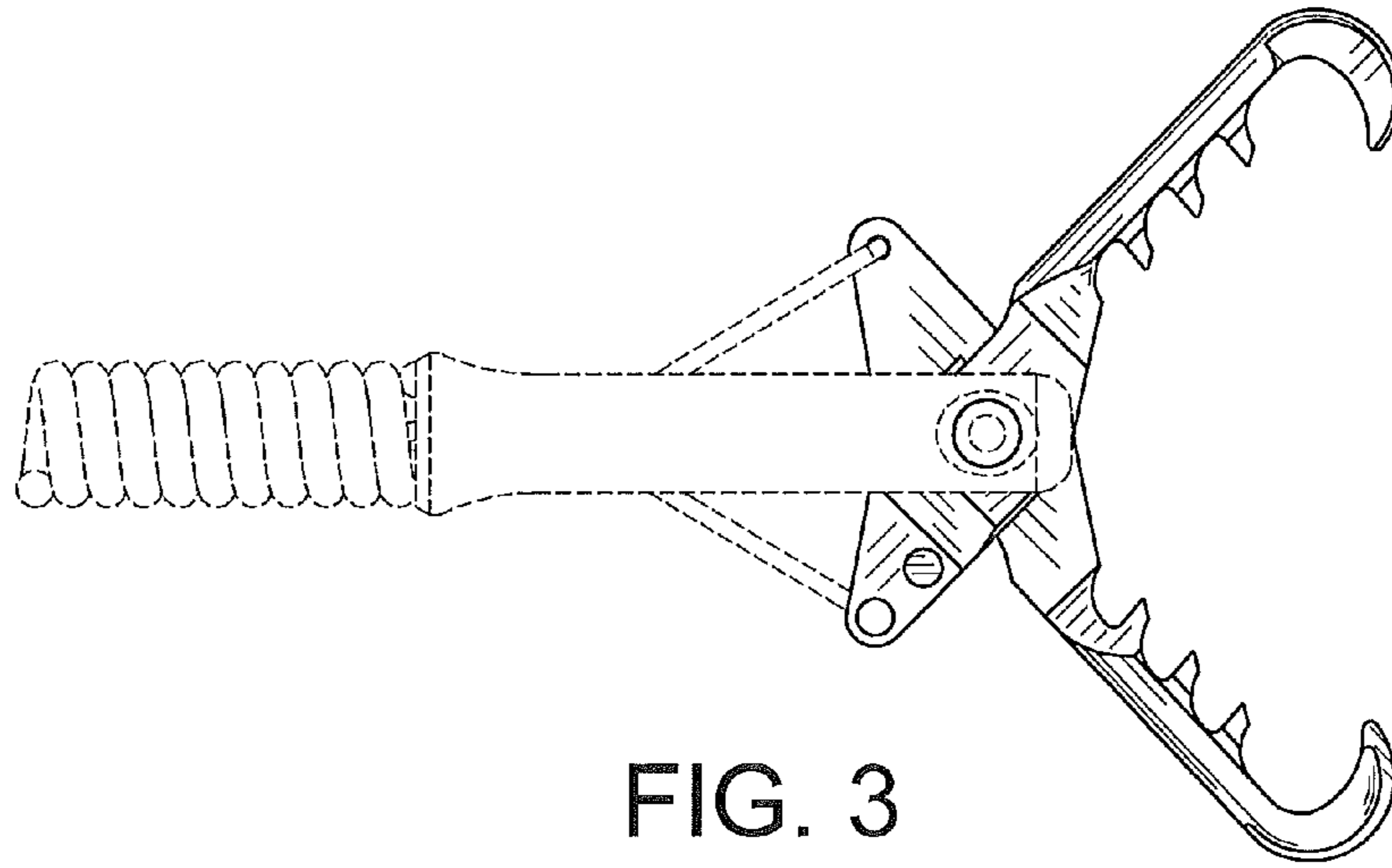


FIG. 3

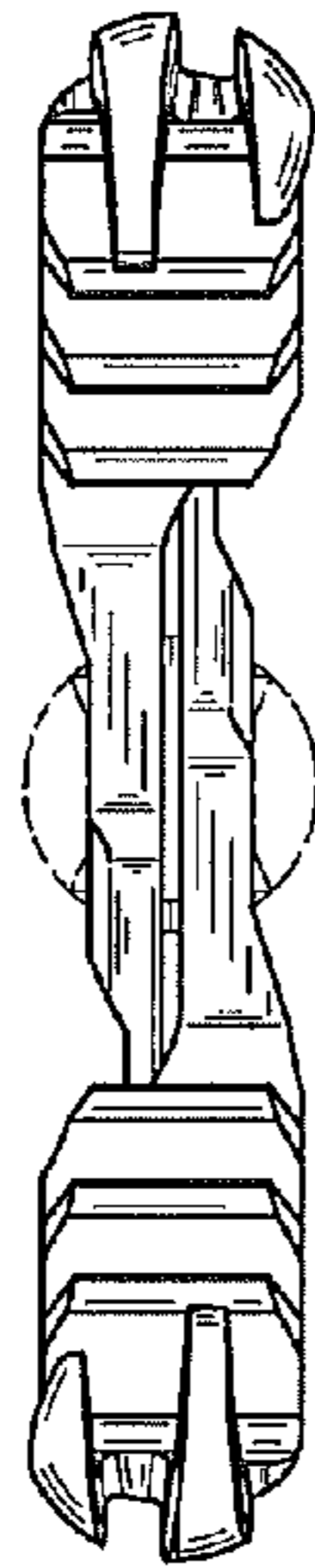


FIG. 4

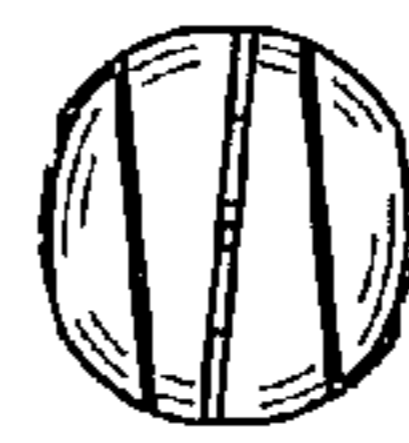


FIG. 5

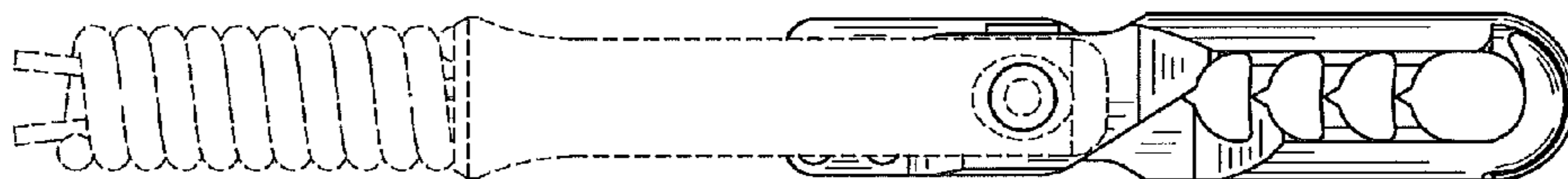


FIG. 6

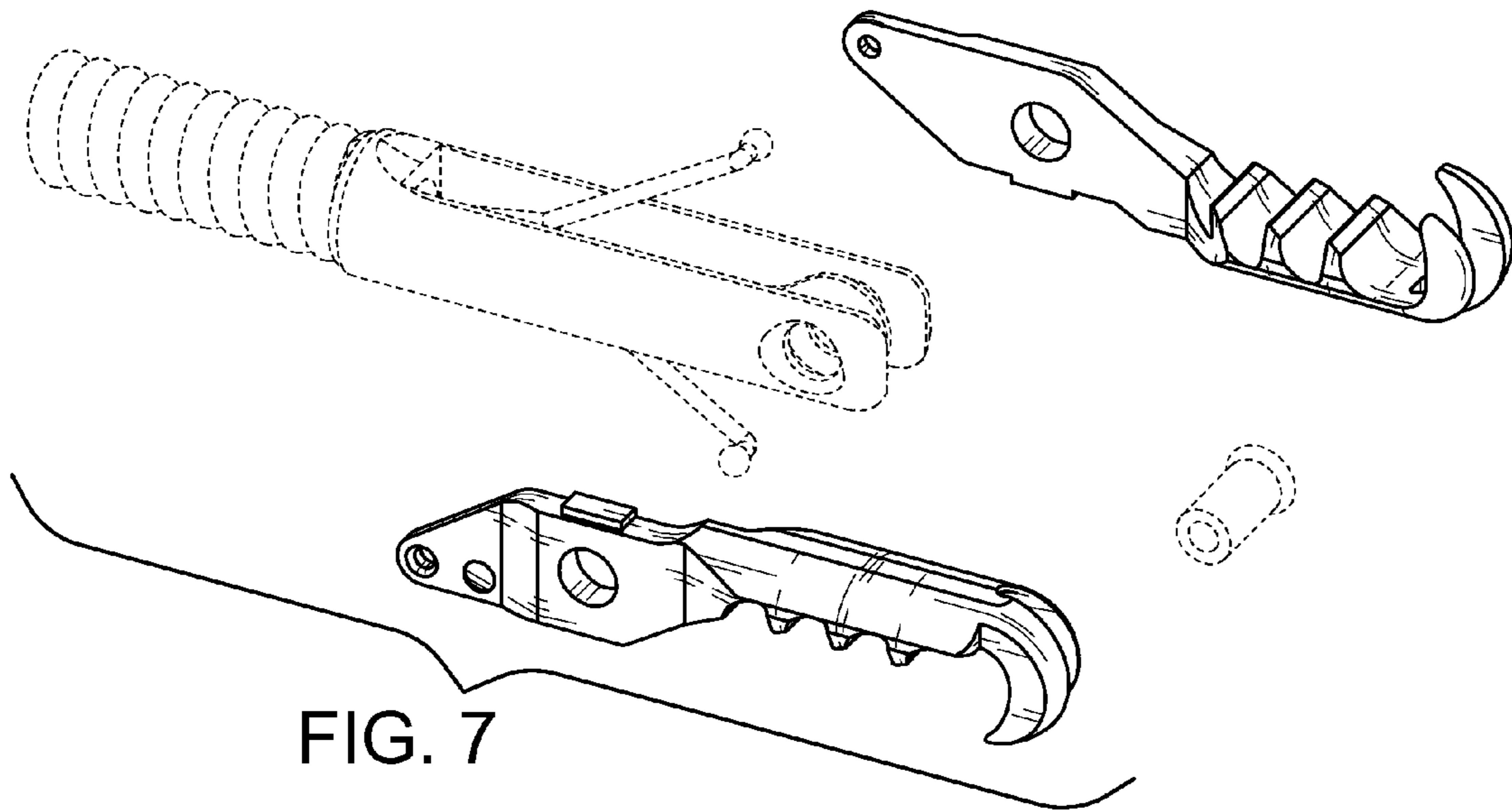


FIG. 7

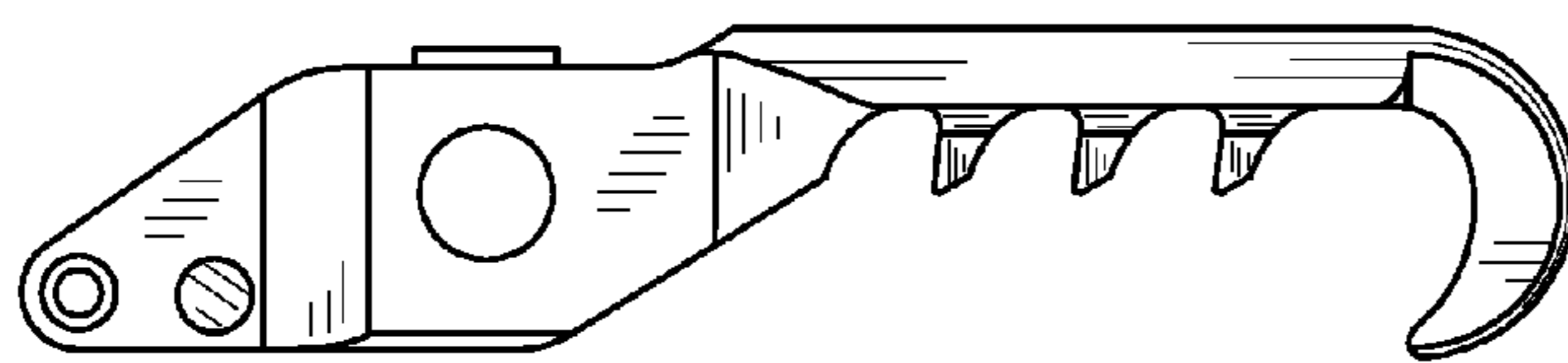


FIG. 8

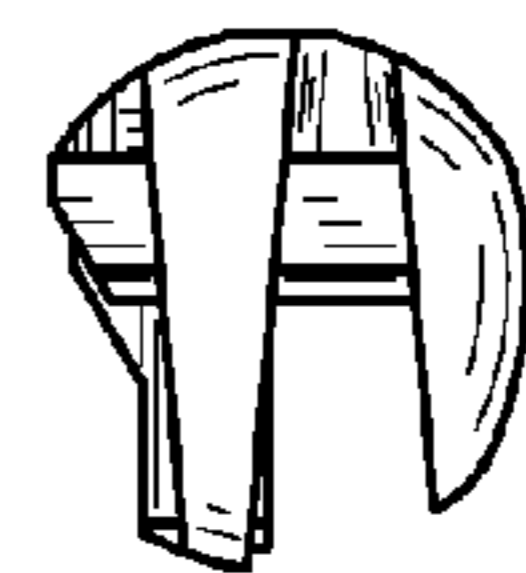


FIG. 9

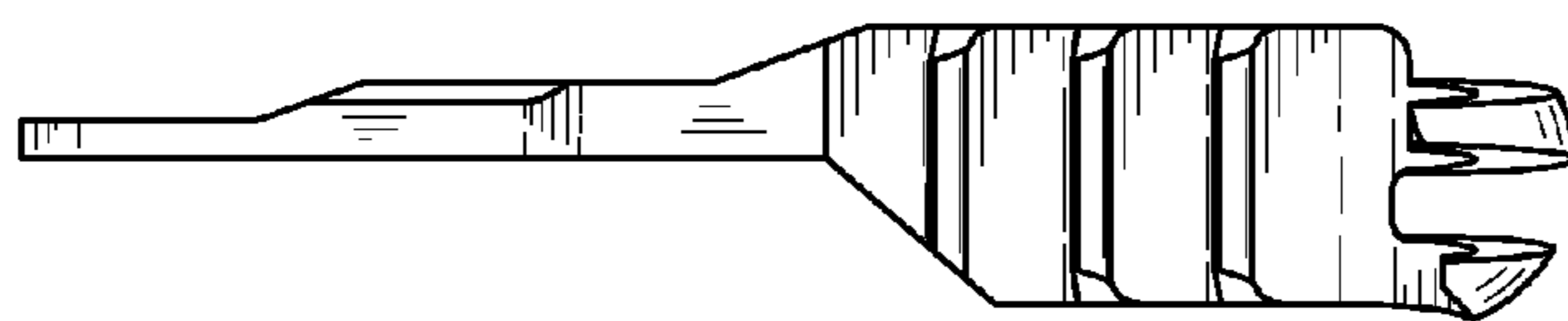


FIG. 10

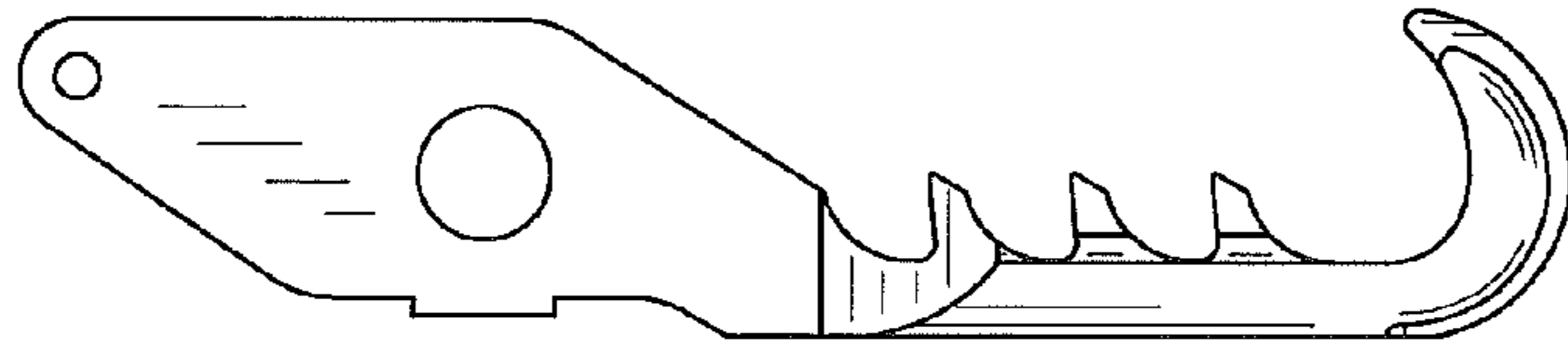


FIG. 11

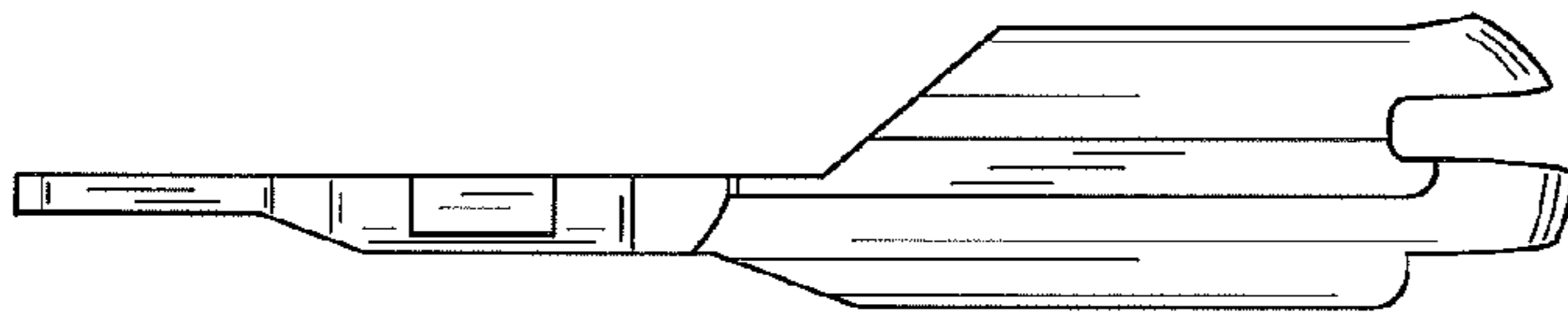


FIG. 12

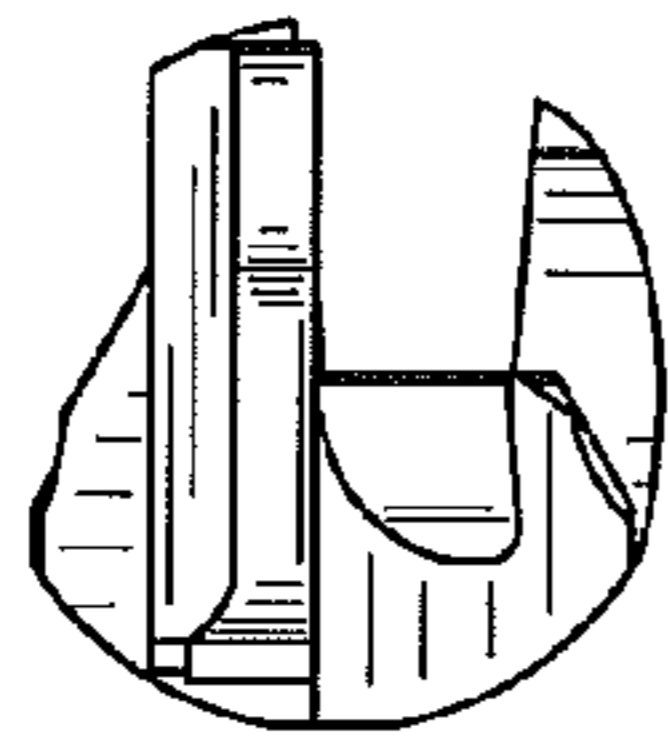


FIG. 13

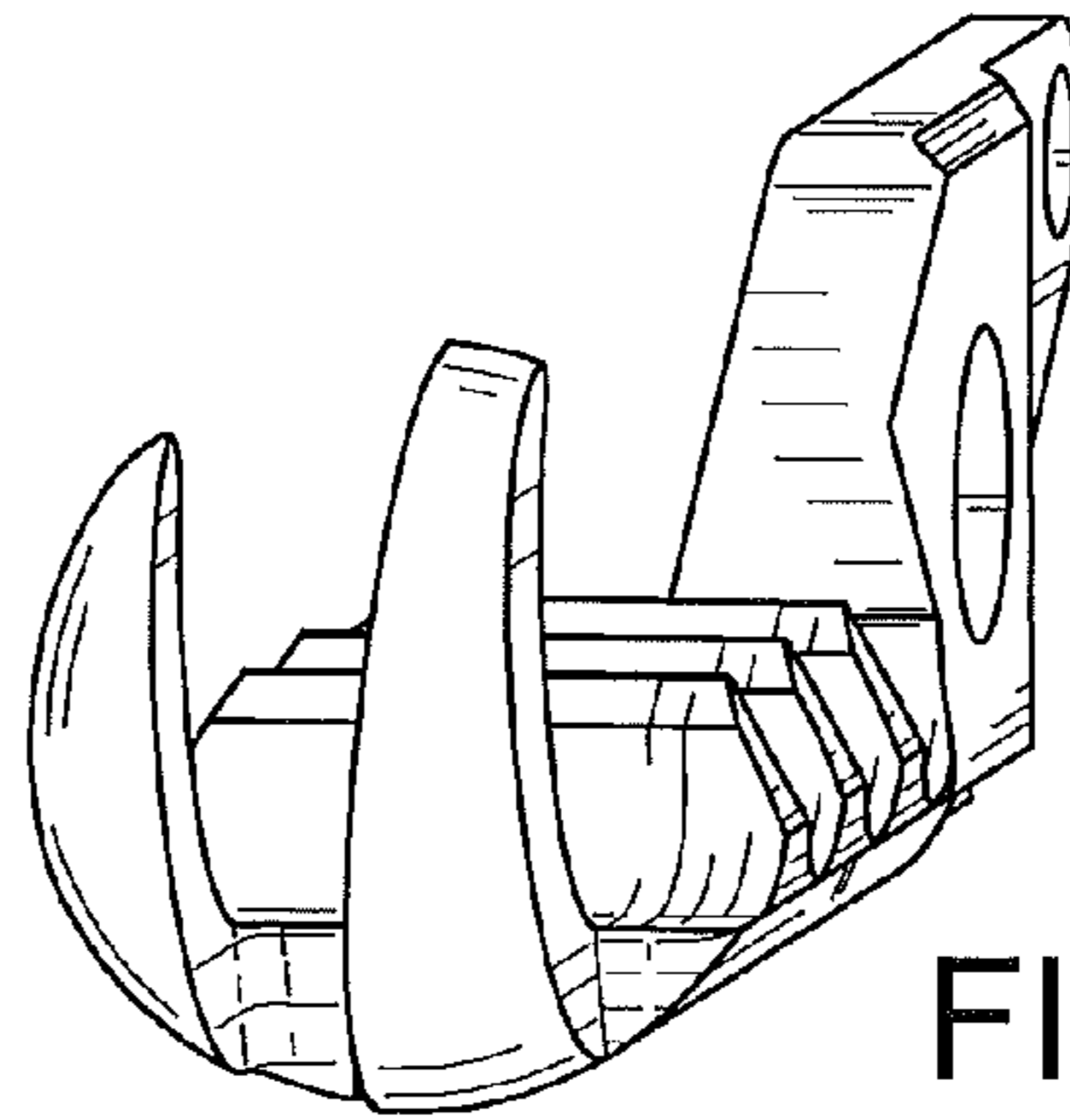


FIG. 14

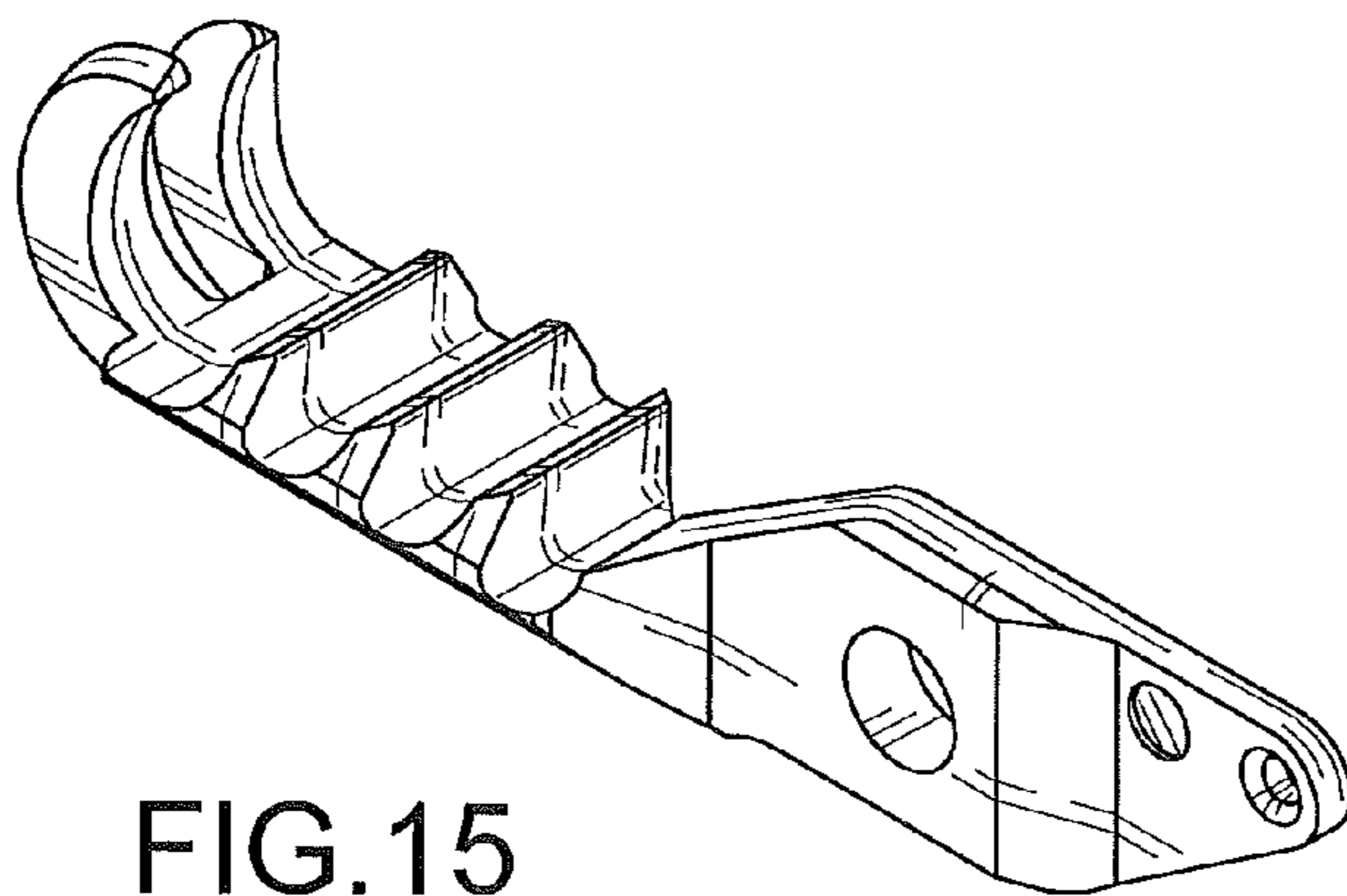


FIG. 15