



US00D689605S

(12) **United States Design Patent**  
**Bellenoit**

(10) **Patent No.:** **US D689,605 S**

(45) **Date of Patent:** **\*\* Sep. 10, 2013**

(54) **PIERCING PIN**

(75) Inventor: **Matthew R. Bellenoit**, Northampton, PA  
(US)

(73) Assignee: **B. Braun Medical, Inc.**, Bethlehem, PA  
(US)

(\*\*) Term: **14 Years**

(21) Appl. No.: **29/428,955**

(22) Filed: **Aug. 6, 2012**

(51) **LOC (9) Cl.** ..... **24-02**

(52) **U.S. Cl.**  
USPC ..... **D24/112**

(58) **Field of Classification Search**  
USPC ..... D24/112-114, 133, 186, 130, 127;  
606/181, 185;  
604/411, 264, 272, 115, 164.01-164.09,  
604/533, 232, 187, 168.01, 192, 19, 48, 93.01,  
604/523, 524, 526; 600/101, 139, 143;  
128/200.24, 207.14, 207.15  
See application file for complete search history.

(56) **References Cited**

**U.S. PATENT DOCUMENTS**

D247,975	S	*	5/1978	Luther	.....	D24/112
D254,444	S	*	3/1980	Levine	.....	D24/112
D272,850	S	*	2/1984	Kulle	.....	D24/112
D291,490	S		8/1987	Raines		
D300,060	S	*	2/1989	Molgaard-Nielsen	.....	D24/112
D310,122	S	*	8/1990	Masters	.....	D24/112

D357,733	S	*	4/1995	Matkovich	.....	D24/112
6,468,287	B1	*	10/2002	Baugh	.....	606/181
7,150,735	B2	*	12/2006	Hickle	.....	604/411
D550,839	S	*	9/2007	Zawacki et al.	.....	D24/130
D644,732	S	*	9/2011	Vleugels	.....	D24/130
D657,461	S	*	4/2012	Schembre et al.	.....	D24/130
D674,084	S	*	1/2013	Linnenschmidt	.....	D24/112
8,398,666	B2	*	3/2013	McFarlane	.....	606/185

\* cited by examiner

*Primary Examiner* — David Muller

(74) *Attorney, Agent, or Firm* — RatnerPrestia

(57) **CLAIM**

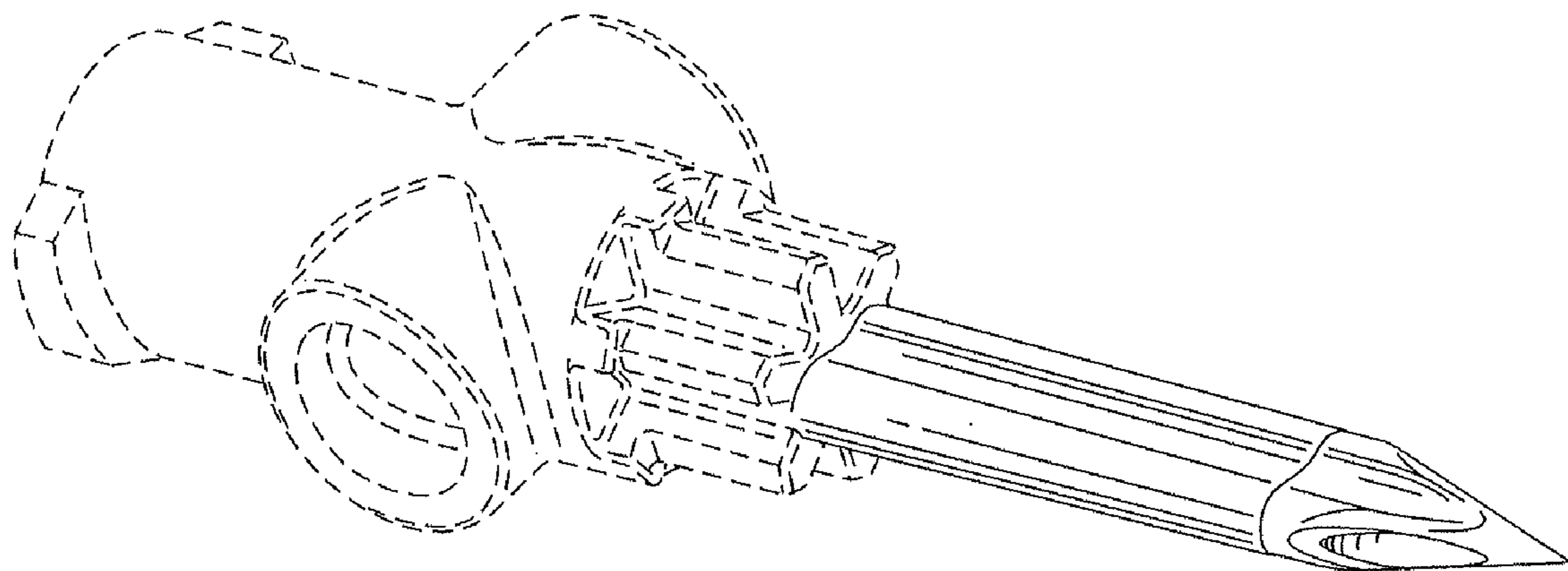
The ornamental design for our piercing pin, as shown and described.

**DESCRIPTION**

FIG. 1 is a perspective view of our piercing pin in accordance with our new design;  
FIG. 2 is a top view thereof;  
FIG. 3 is a bottom view thereof;  
FIG. 4 is a right side view thereof;  
FIG. 5 is a left side view thereof;  
FIG. 6 is a front view thereof;  
FIG. 7 is a rear view thereof;  
FIG. 8 is a cross section view thereof taken through line 8-8 in FIG. 2; and,  
FIG. 9 is a cross section view thereof taken through line 9-9 in FIG. 2.

The broken lines in FIGS. 1-7 are for illustrative purposes only and form no part of the claimed design.

**1 Claim, 3 Drawing Sheets**



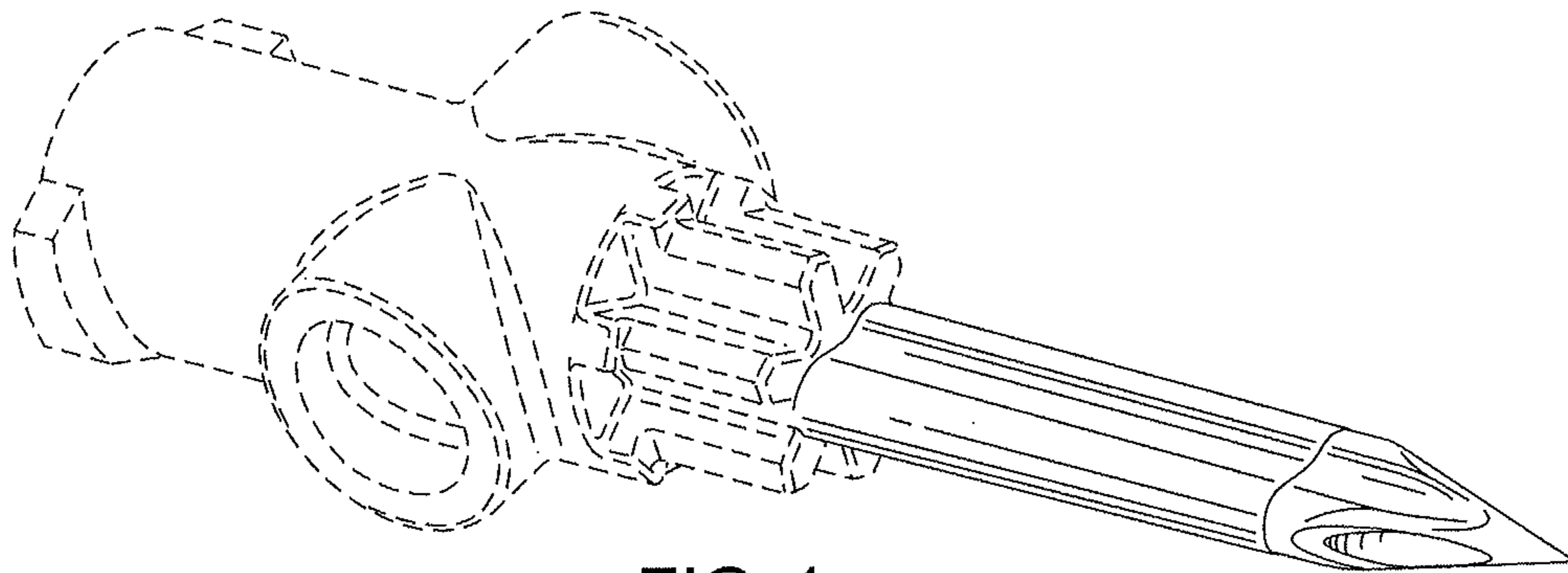


FIG. 1

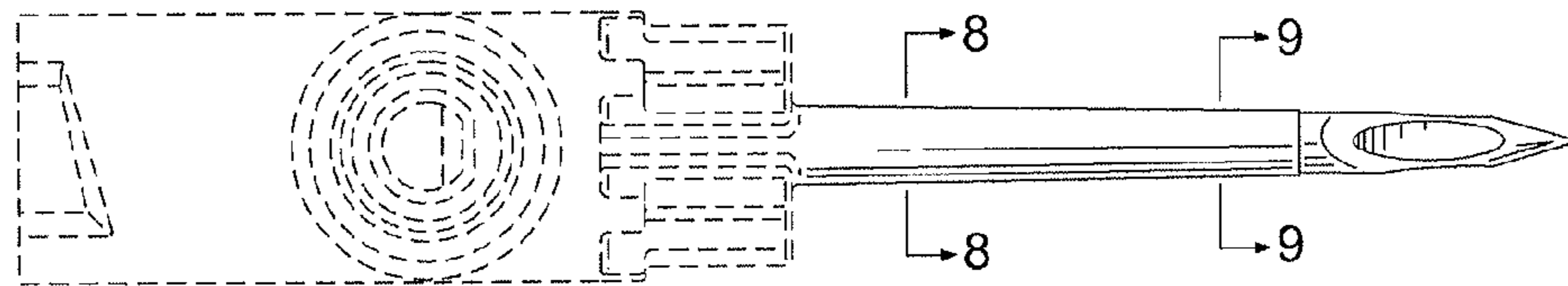


FIG. 2

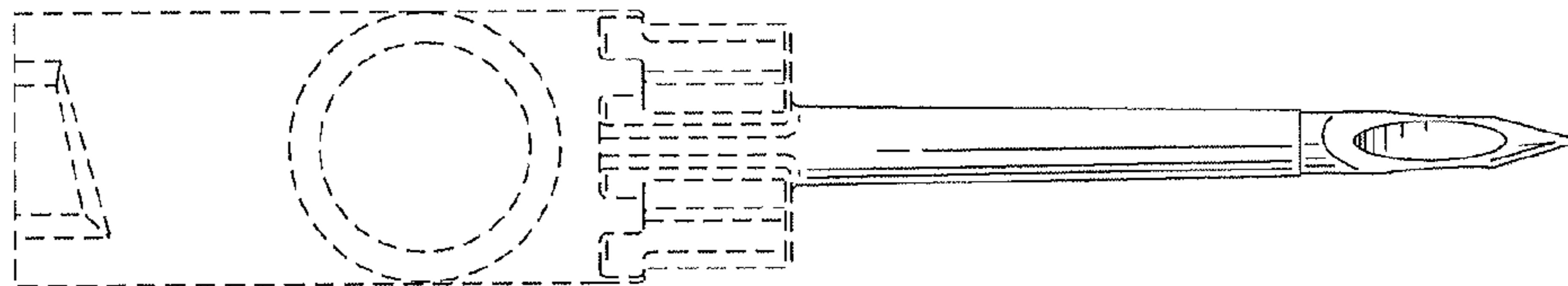


FIG. 3

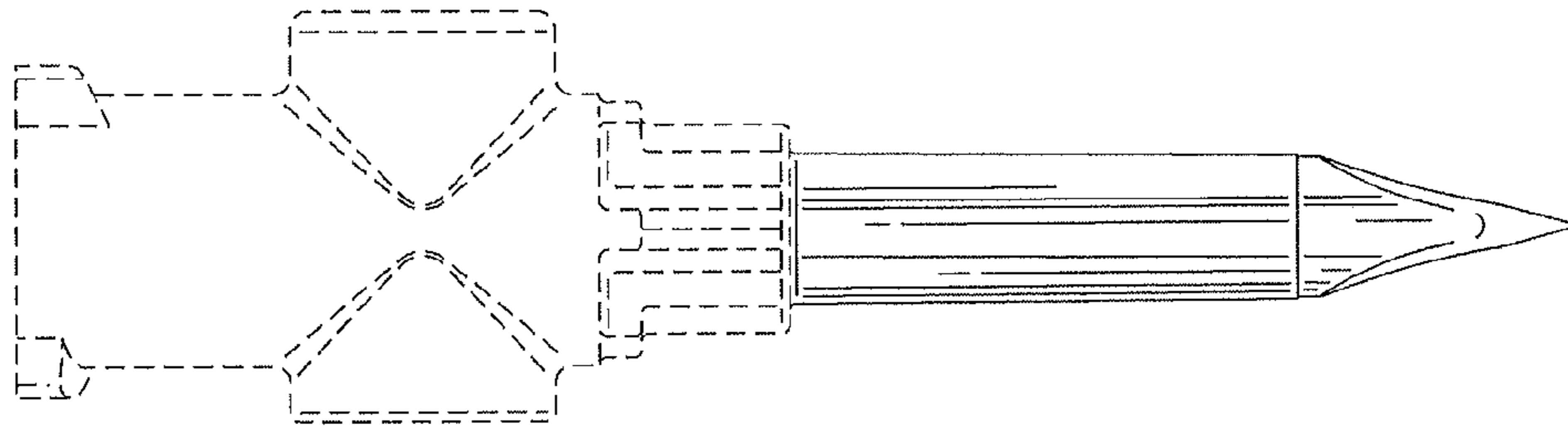


FIG. 4

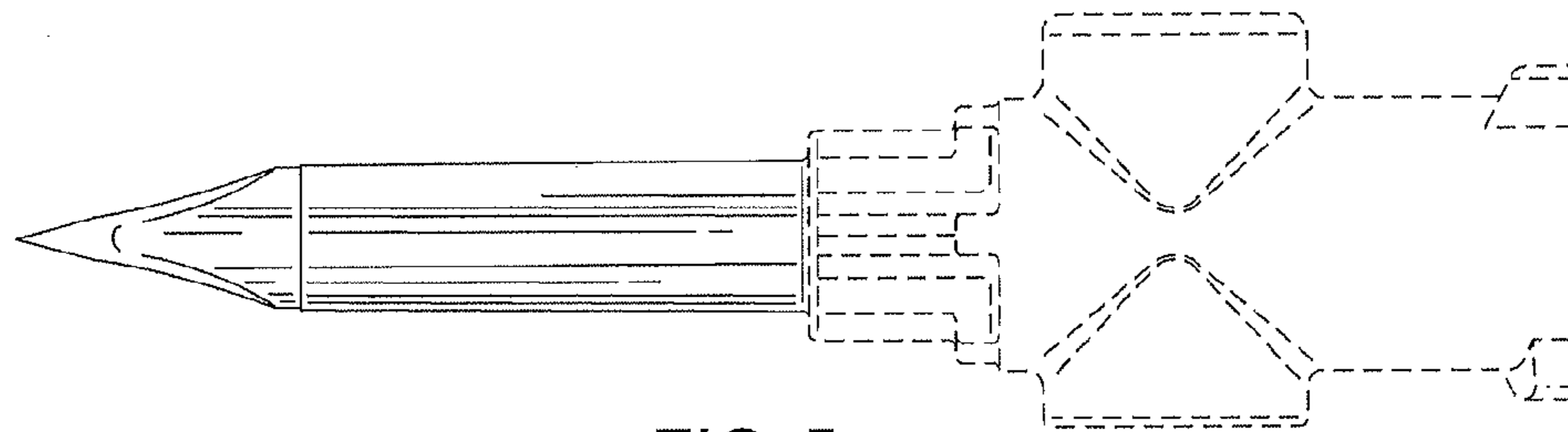


FIG. 5

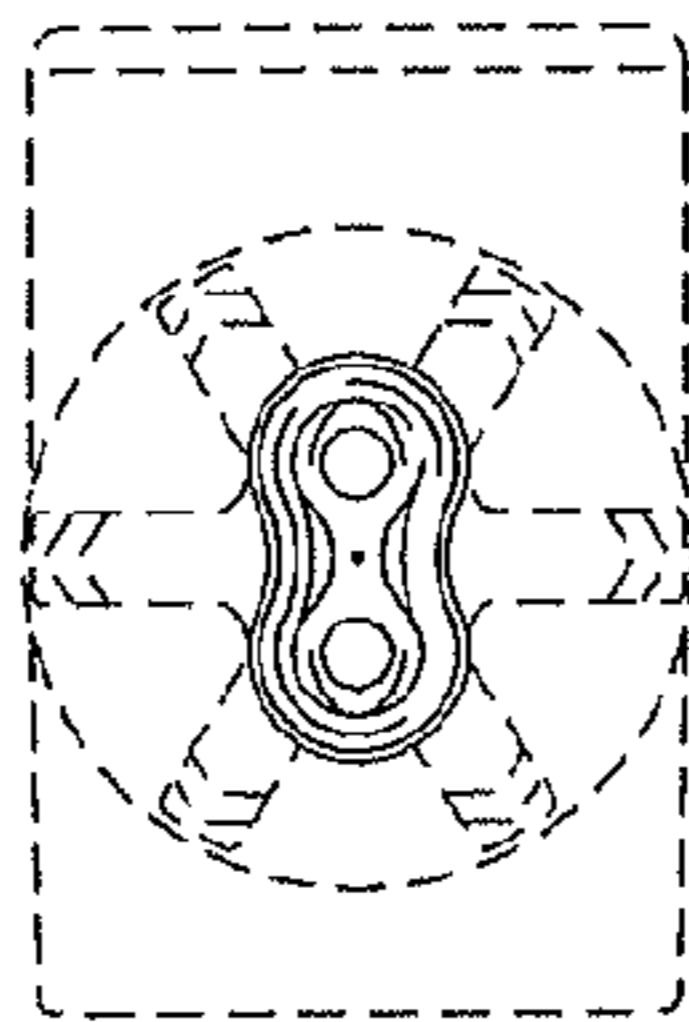


FIG. 6

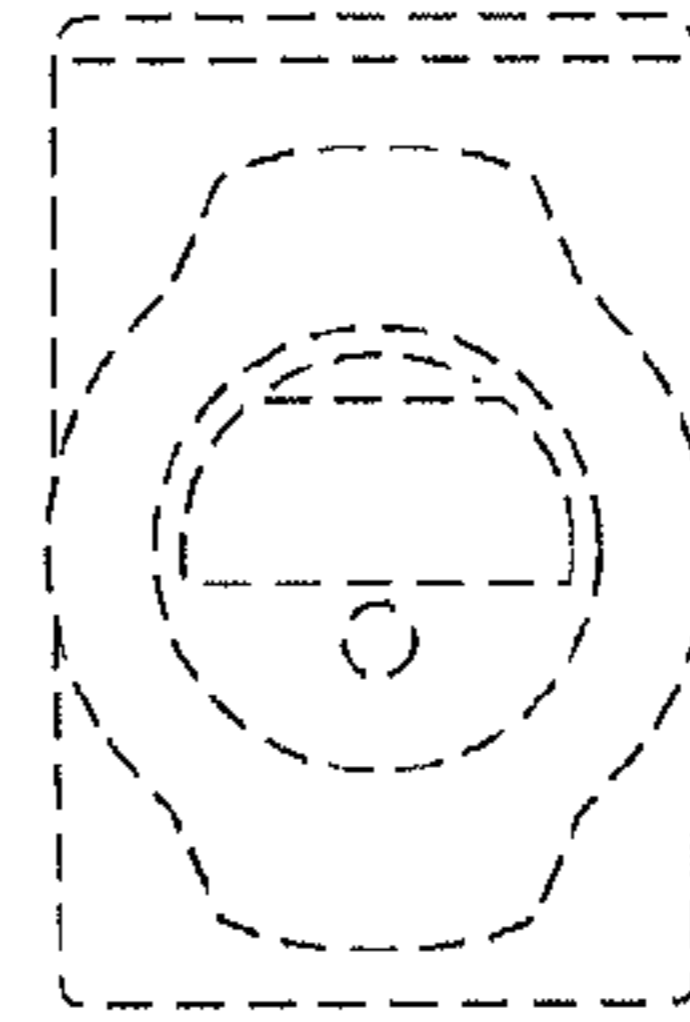


FIG. 7



FIG. 8



FIG. 9