



US00D689603S

(12) **United States Design Patent**
Stockmann

(10) **Patent No.:** **US D689,603 S**

(45) **Date of Patent:** **** Sep. 10, 2013**

(54) **FACE MASK**

(75) Inventor: **Martin Stockmann**, Berlin (DE)

(73) Assignee: **Humedics GmbH**, Berlin (DE)

(**) Term: **14 Years**

(21) Appl. No.: **29/403,328**

(22) Filed: **Oct. 4, 2011**

(30) **Foreign Application Priority Data**

Apr. 5, 2011 (EM) 001845892-0001

(51) **LOC (9) Cl.** **29-02**

(52) **U.S. Cl.**
USPC **D24/110.1**

(58) **Field of Classification Search**
USPC D24/107, 108, 110, 110.1, 110.4,
D24/110.5; 128/201.21, 201.23–201.26
See application file for complete search history.

(56) **References Cited**

U.S. PATENT DOCUMENTS

D321,419 S * 11/1991 Wallace D24/110.4
D434,141 S * 11/2000 Randeberg et al. D24/110.4
D499,803 S * 12/2004 Chang D24/110.4

D582,031 S * 12/2008 Sorensen et al. D24/110.4
D598,537 S * 8/2009 Nashed D24/110.1
D615,643 S * 5/2010 Nashed D24/110.1
D625,405 S * 10/2010 Nashed D24/110.1
D658,284 S * 4/2012 Nashed D24/110.1
2003/0172932 A1 * 9/2003 Matic 128/206.24

* cited by examiner

Primary Examiner — Ian Simmons

Assistant Examiner — Eleni H Aldridge

(74) *Attorney, Agent, or Firm* — Maschoff Brennan

(57) **CLAIM**

The ornamental design for a face mask, as shown and described.

DESCRIPTION

FIG. 1 is a front view of a face mask showing my new design; FIG. 2 is a rear view of the face mask shown in FIG. 1; FIG. 3 is a first side view of the face mask shown in FIG. 1; FIG. 4 is a second side view of the face mask shown in FIG. 1; FIG. 5 is a top view of the face mask shown in FIG. 1; and, FIG. 6 is a bottom view of the face mask shown in FIG. 1. The broken lines in FIGS. 1 and 2 are for illustrative purposes only and form no part of the claimed design.

1 Claim, 3 Drawing Sheets

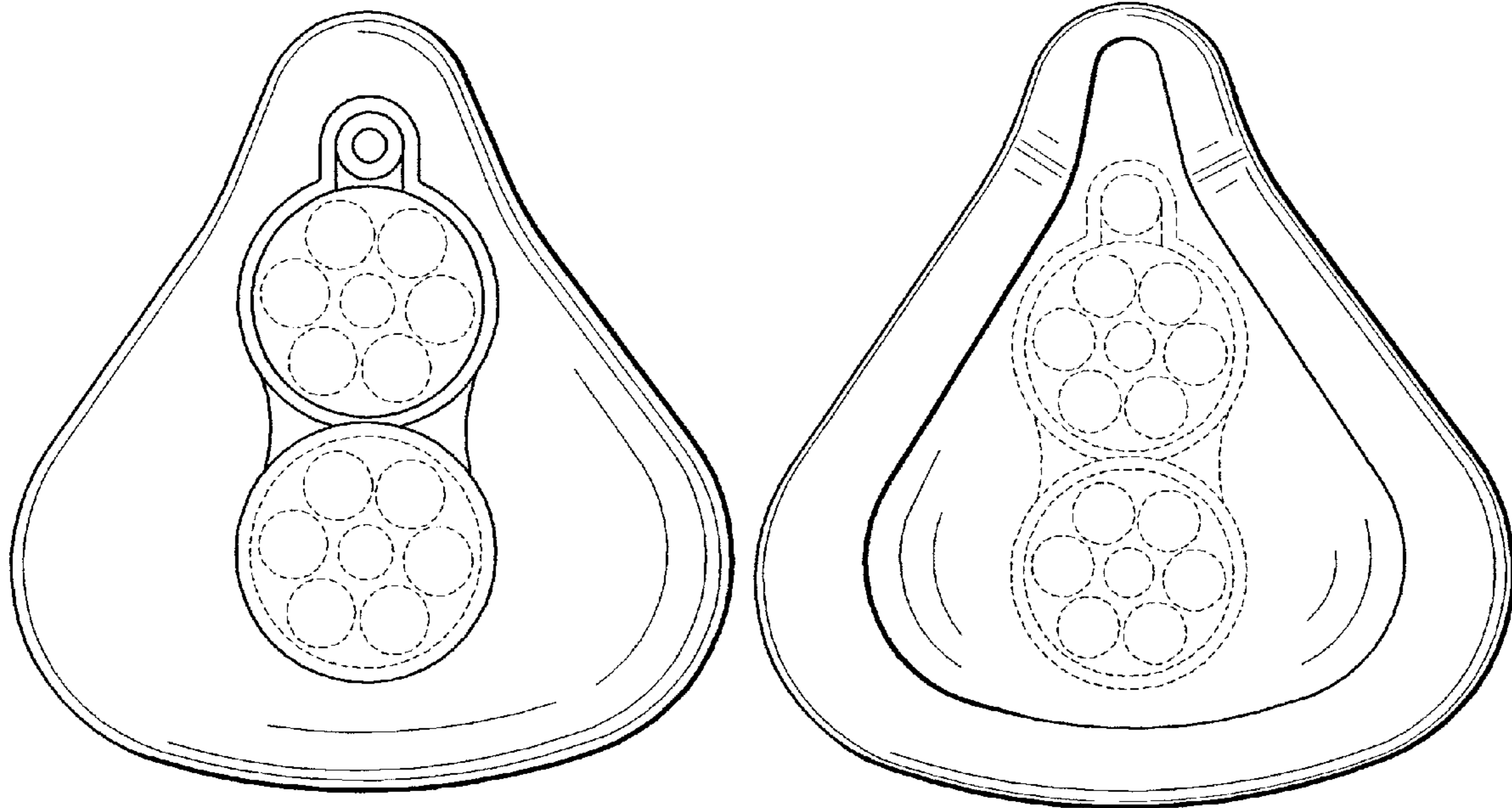


FIG 1

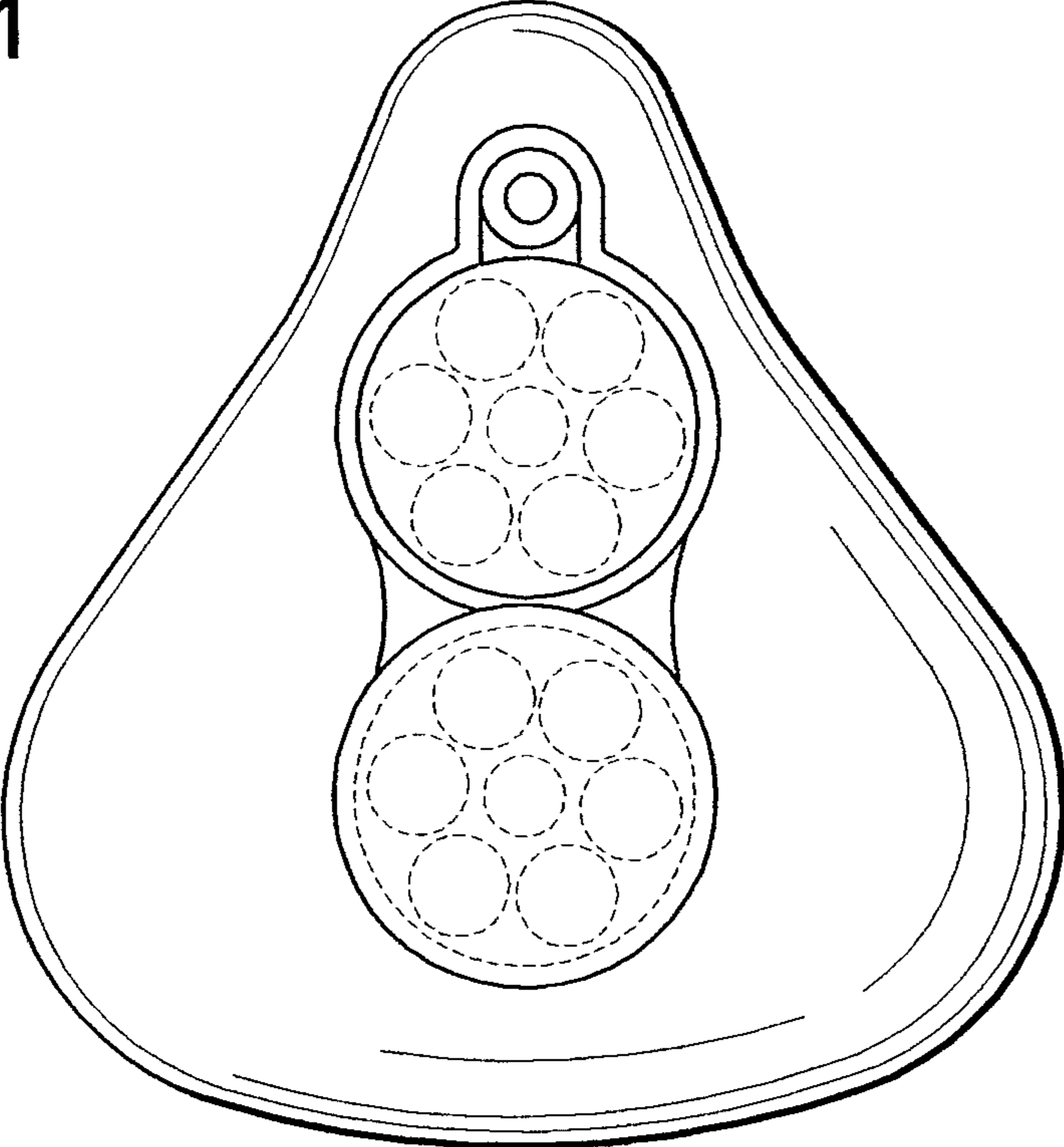


FIG 2

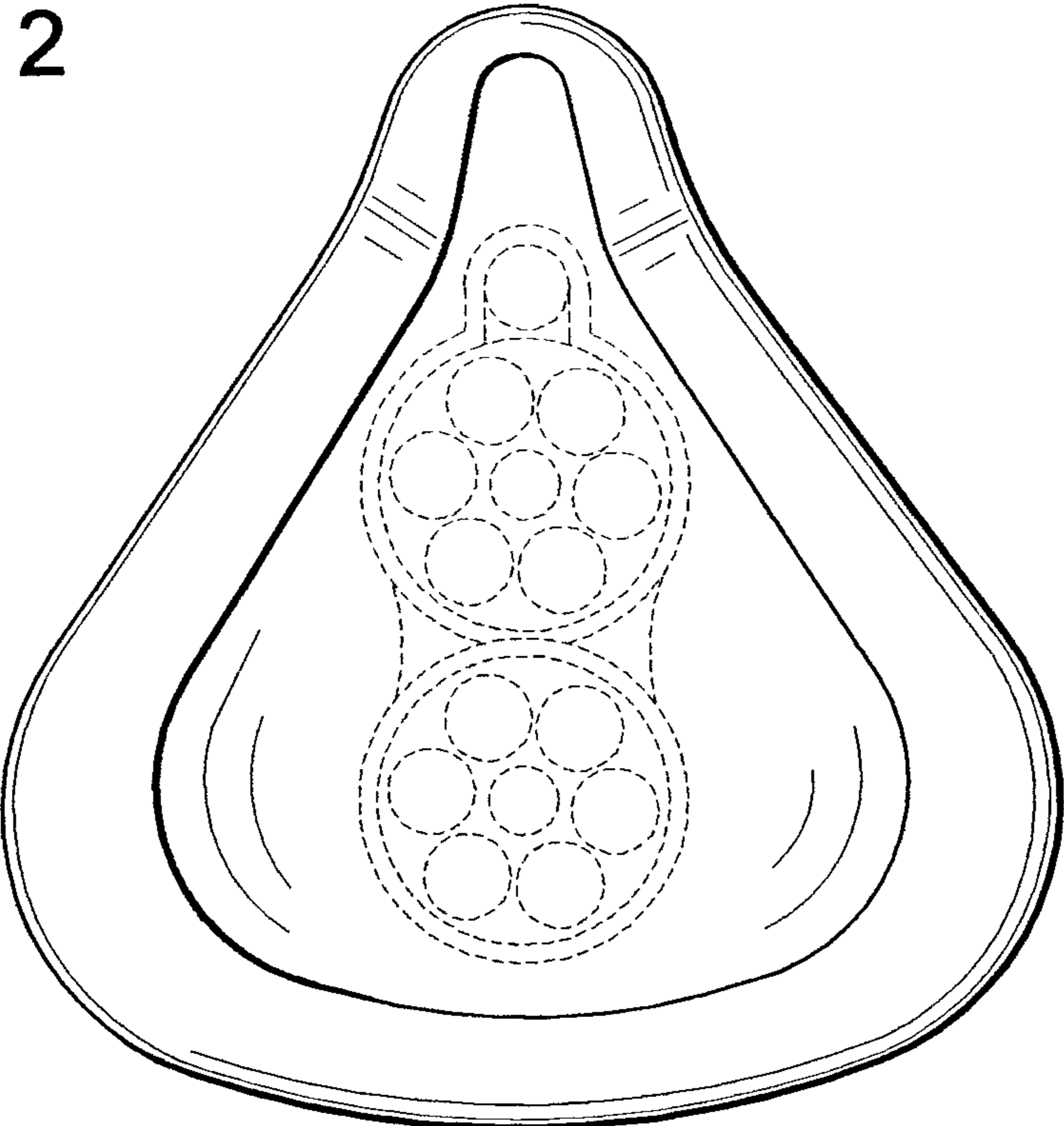


FIG 3

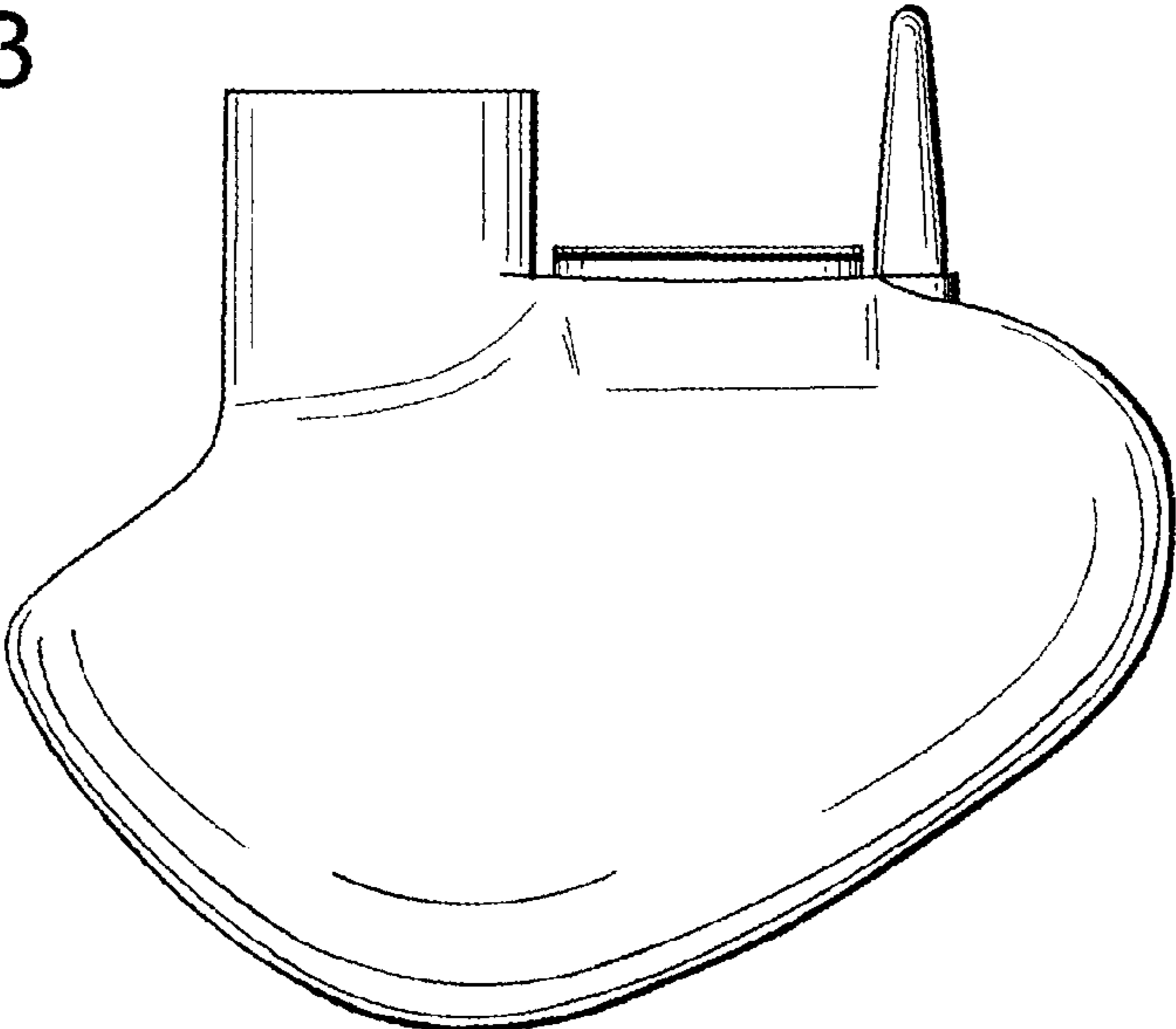


FIG 4

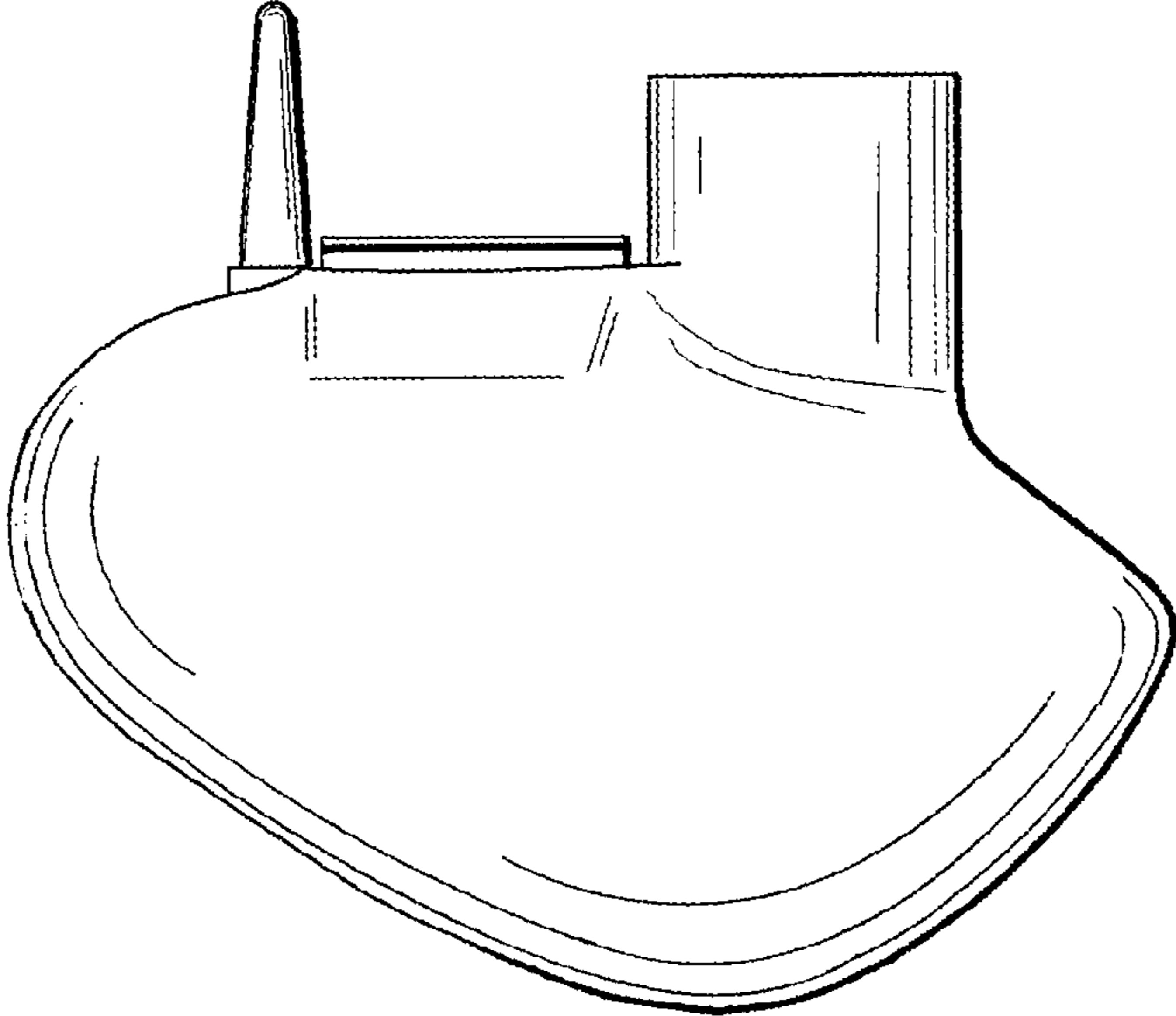


FIG 5

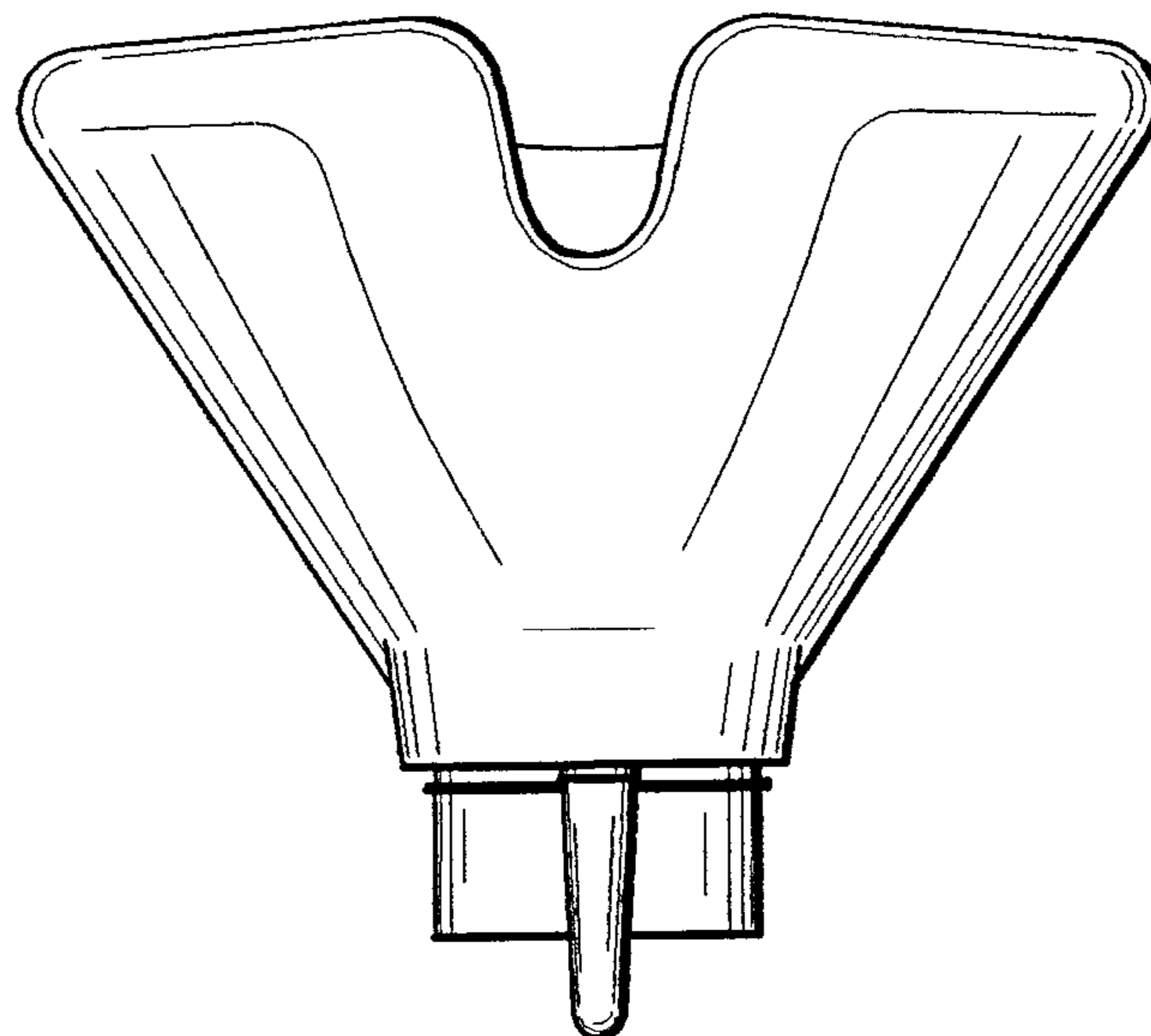


FIG 6

