



US00D689602S

(12) **United States Design Patent**  
**Amirav et al.**

(10) **Patent No.:** **US D689,602 S**

(45) **Date of Patent:** **\*\* Sep. 10, 2013**

(54) **SWIVEL ADAPTER FOR NEBULIZER**

(75) Inventors: **Israel Amirav**, Rosh Pina (IL); **Asaf Hamalish**, Pardes Hana-Karkur (IL)

(73) Assignee: **Nostrum Technology LLC**, Somerset, NJ (US)

(\*\*) Term: **14 Years**

(21) Appl. No.: **29/391,659**

(22) Filed: **May 11, 2011**

(51) **LOC (9) Cl.** ..... **29-02**

(52) **U.S. Cl.**  
USPC ..... **D24/110**; D24/110.4; D24/110.6

(58) **Field of Classification Search**  
USPC ..... D24/110, 110.1–110.6; 128/205.25,  
128/206.21, 202.28, 207.12, 207.13, 912  
See application file for complete search history.

(56) **References Cited**

U.S. PATENT DOCUMENTS

5,657,752	A *	8/1997	Landis et al.	.....	128/207.13
5,746,201	A *	5/1998	Kidd	.....	128/206.24
6,467,483	B1 *	10/2002	Kopacko et al.	.....	128/207.12
6,851,425	B2 *	2/2005	Jaffre et al.	.....	128/204.18
D556,899	S *	12/2007	Veliss et al.	.....	D24/110.1

7,513,255	B2 *	4/2009	Ho et al.	.....	128/207.11
7,546,837	B2 *	6/2009	Busch et al.	.....	128/206.24
2002/0023650	A1 *	2/2002	Gunaratnam et al.	...	128/205.25
2005/0072428	A1 *	4/2005	Ho et al.	.....	128/205.25
2006/0042629	A1 *	3/2006	Geist	.....	128/206.24
2007/0272249	A1 *	11/2007	Chandran et al.	.....	128/206.28
2007/0277828	A1 *	12/2007	Ho et al.	.....	128/206.21
2010/0000538	A1 *	1/2010	Edwards et al.	.....	128/205.25

\* cited by examiner

*Primary Examiner* — Ian Simmons

*Assistant Examiner* — Richelle Shelton

(74) *Attorney, Agent, or Firm* — Andrew H. Berks

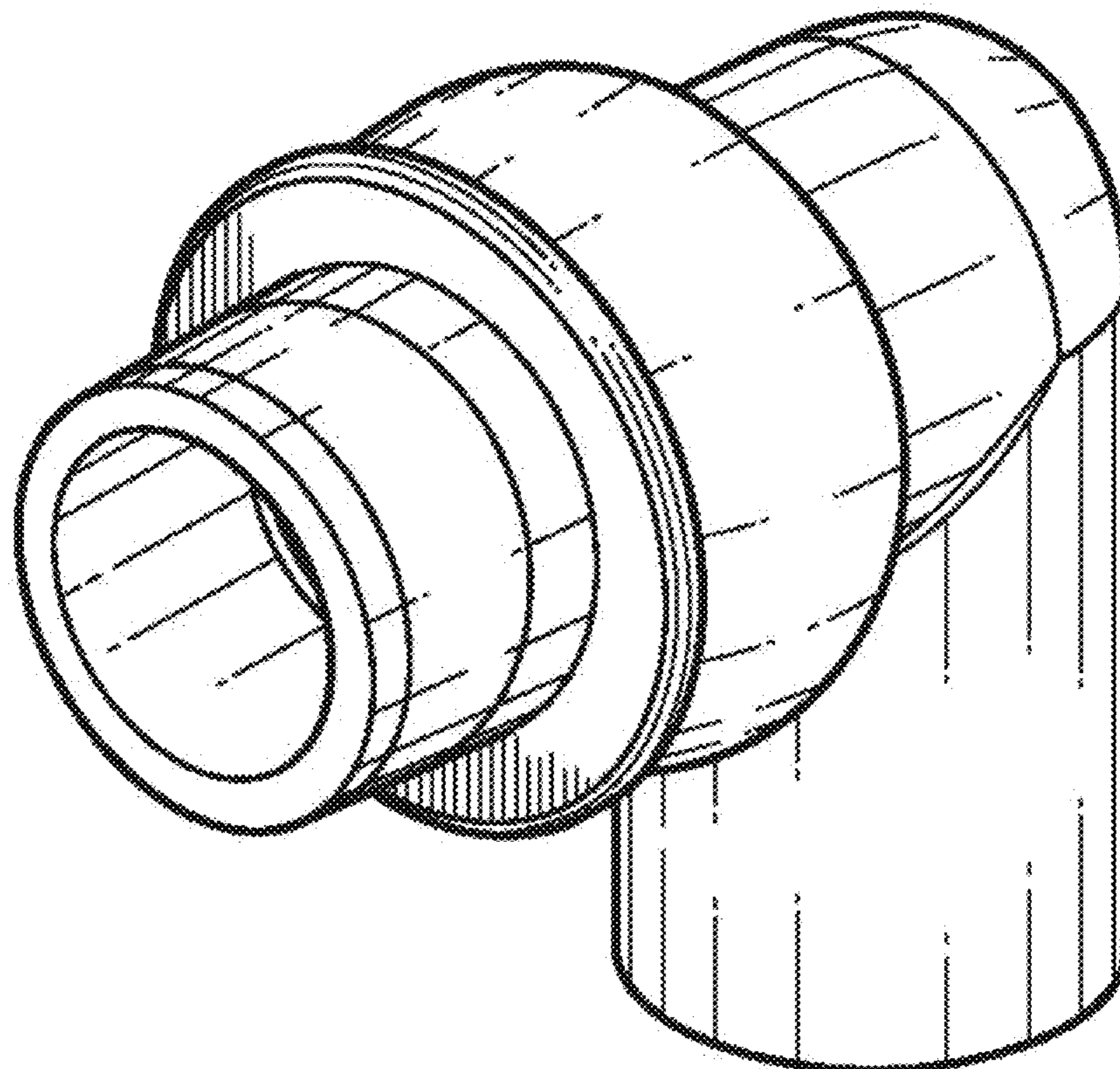
(57) **CLAIM**

The ornamental design for a swivel adapter for nebulizer, as shown and described.

**DESCRIPTION**

FIG. 1 is a front perspective view.  
FIG. 2 is a rear perspective view.  
FIG. 3 is a front elevation view.  
FIG. 4 is rear elevation view.  
FIG. 5 is a top plan view.  
FIG. 6 is a side elevation view, the opposite side being a mirror image; and,  
FIG. 7 is a bottom plan view.

**1 Claim, 4 Drawing Sheets**



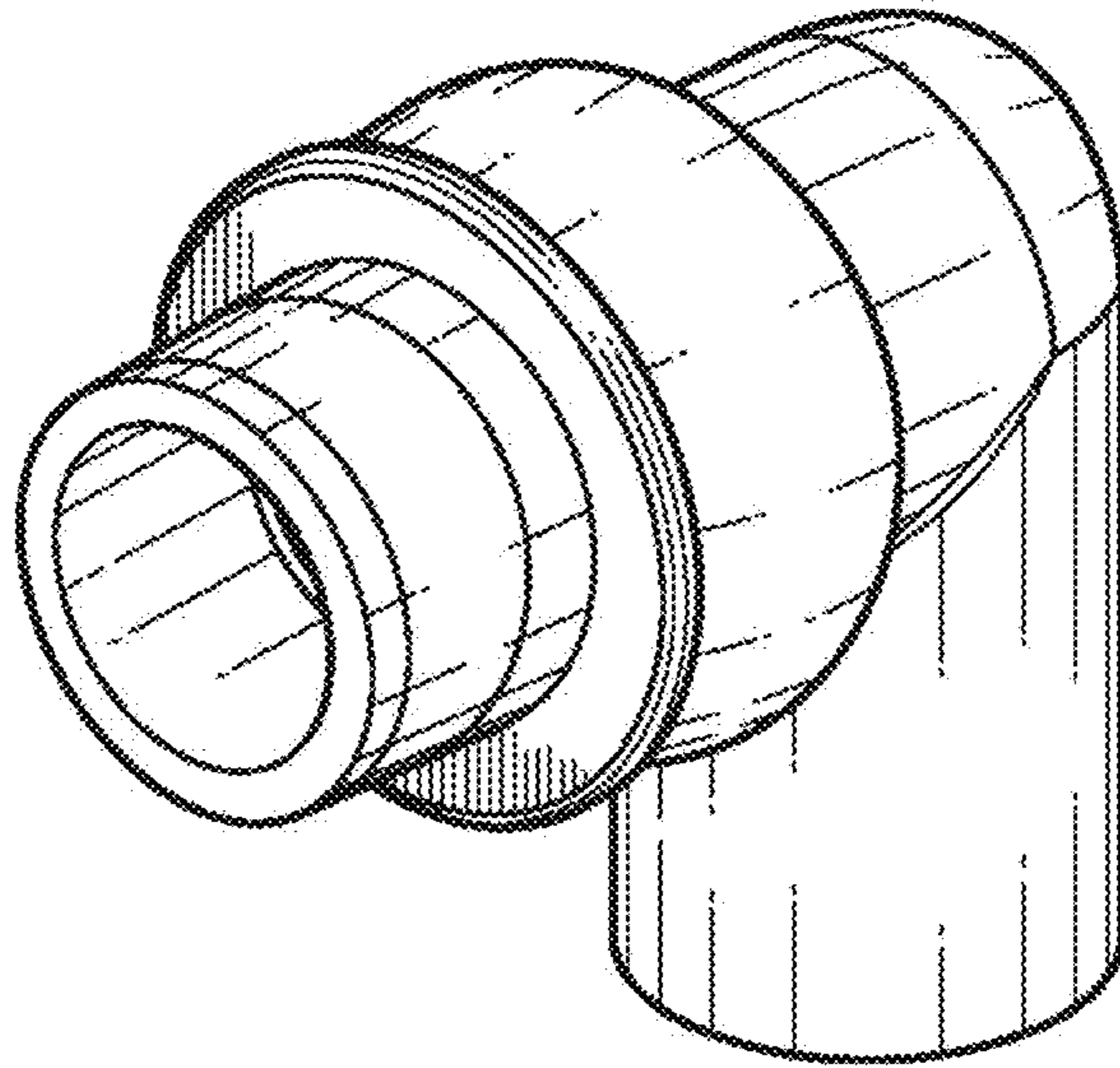


FIG. 1

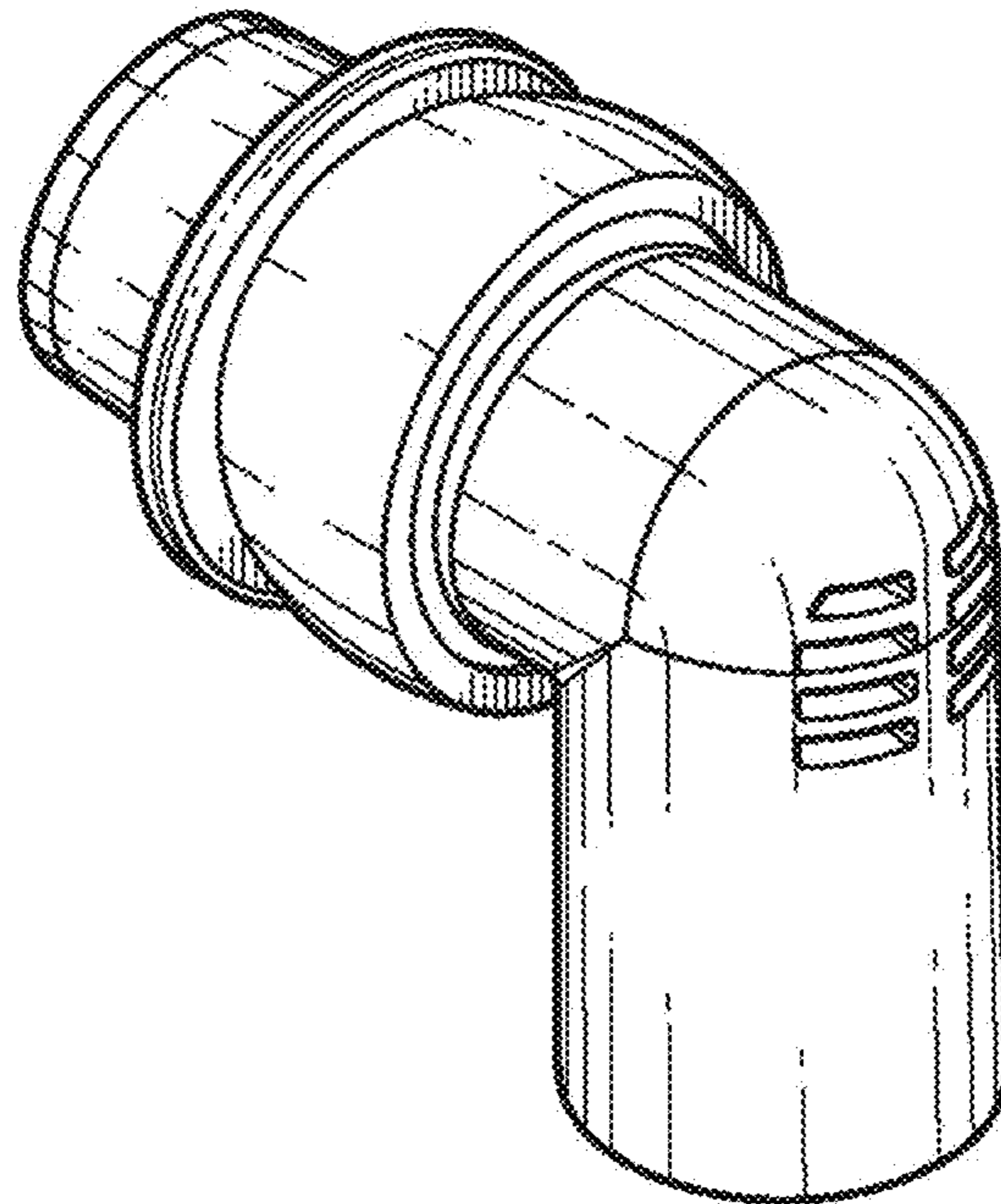


FIG. 2

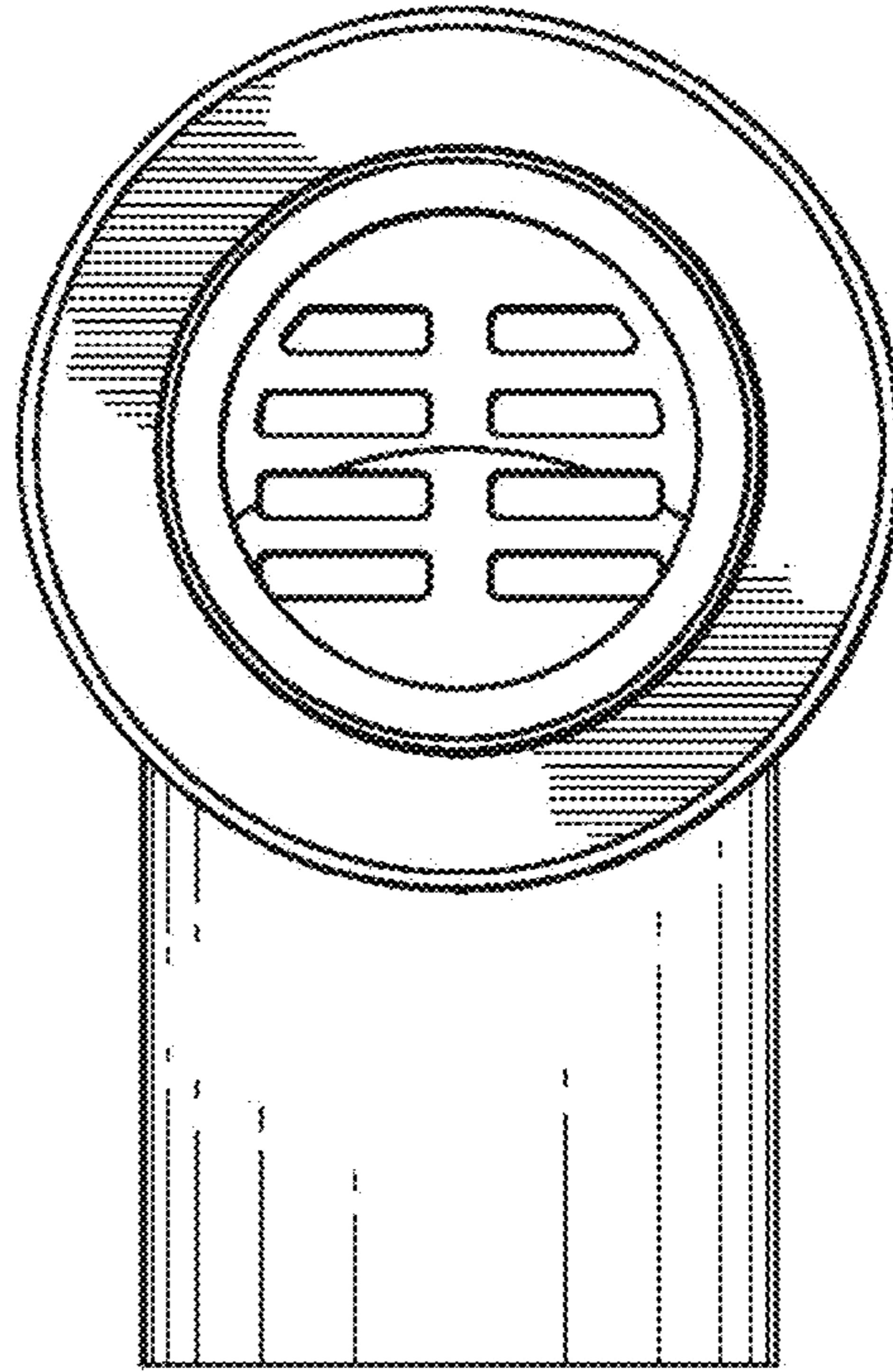


FIG. 3

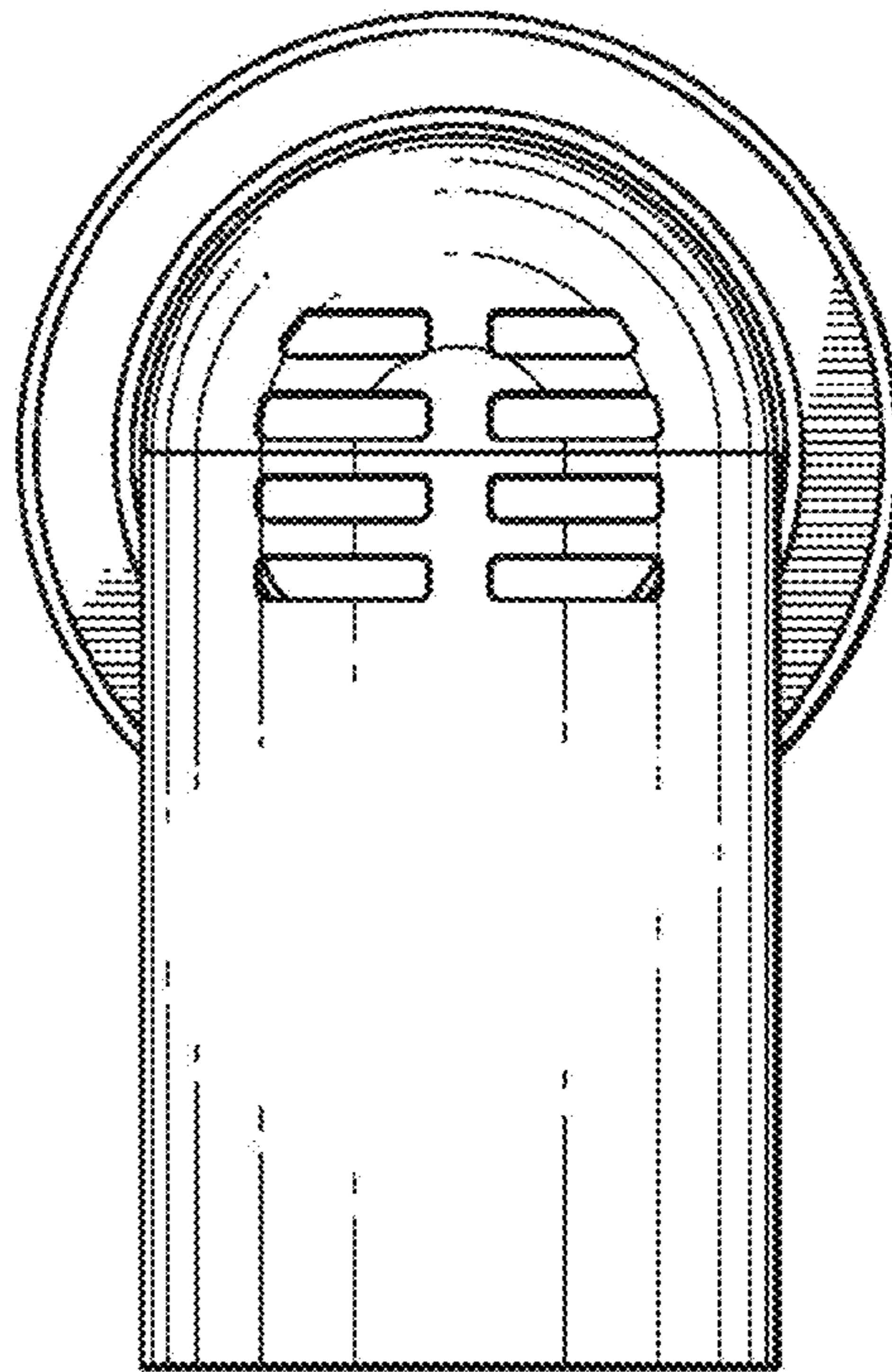


FIG. 4



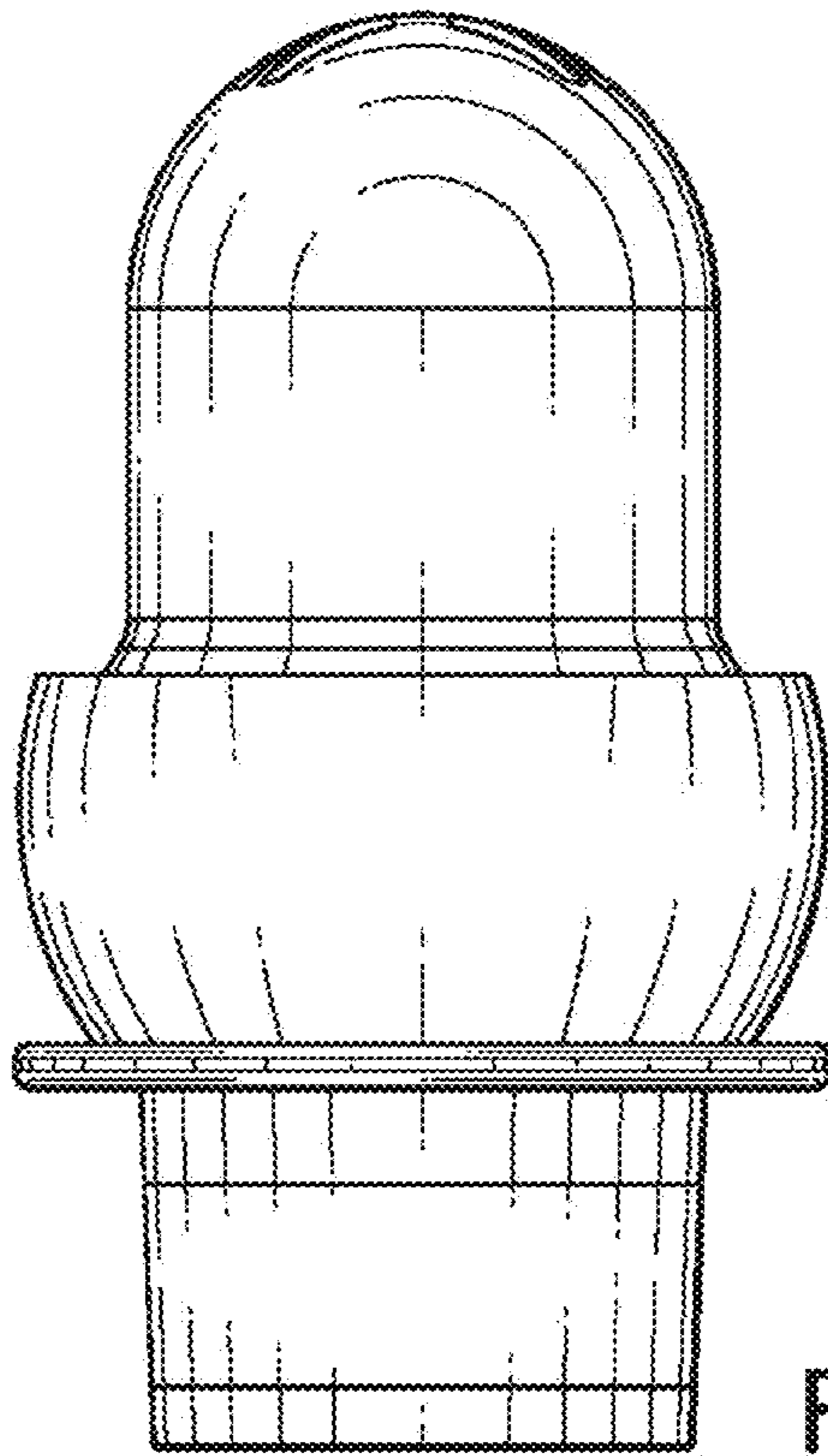


FIG. 5

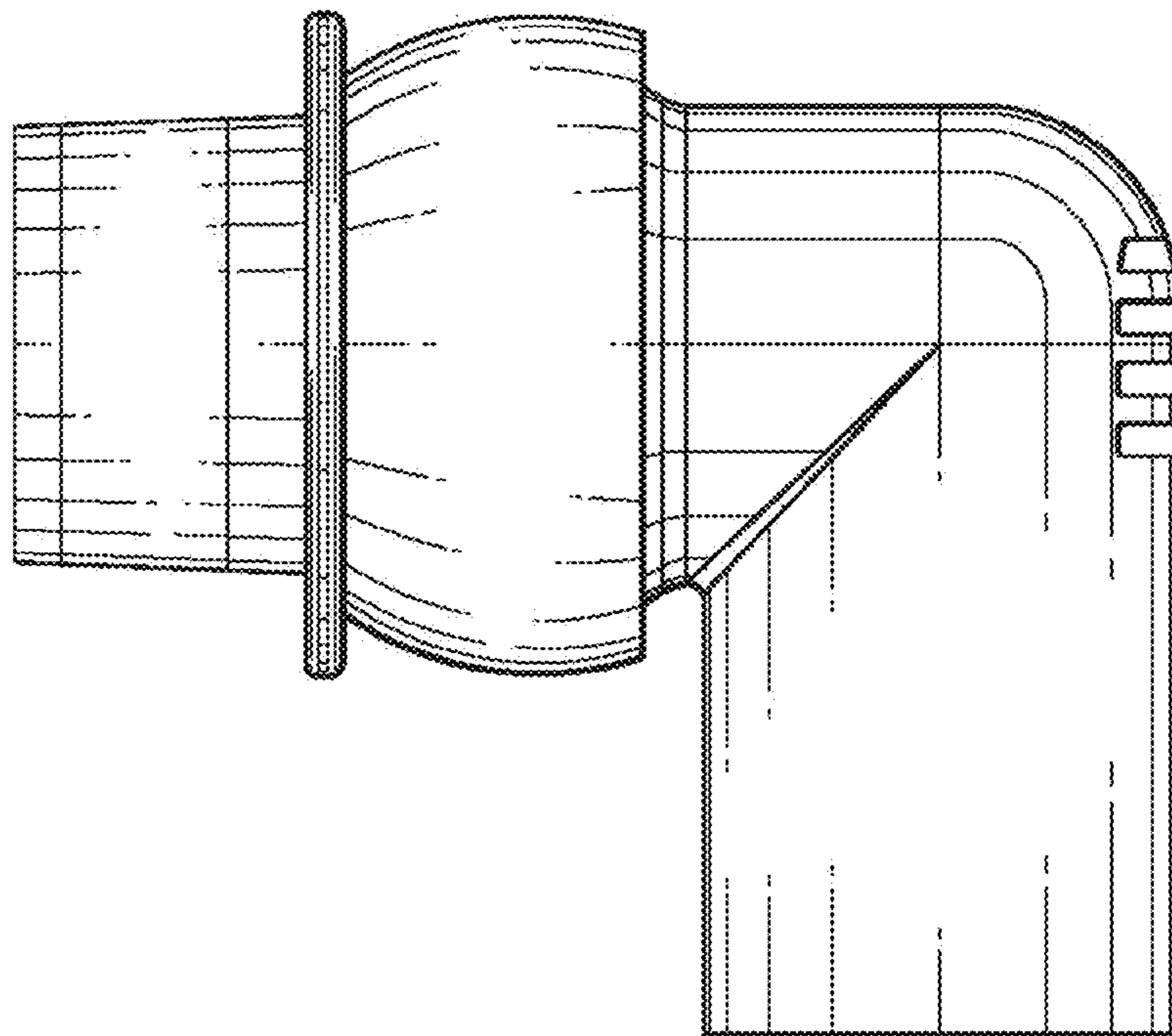


FIG. 6

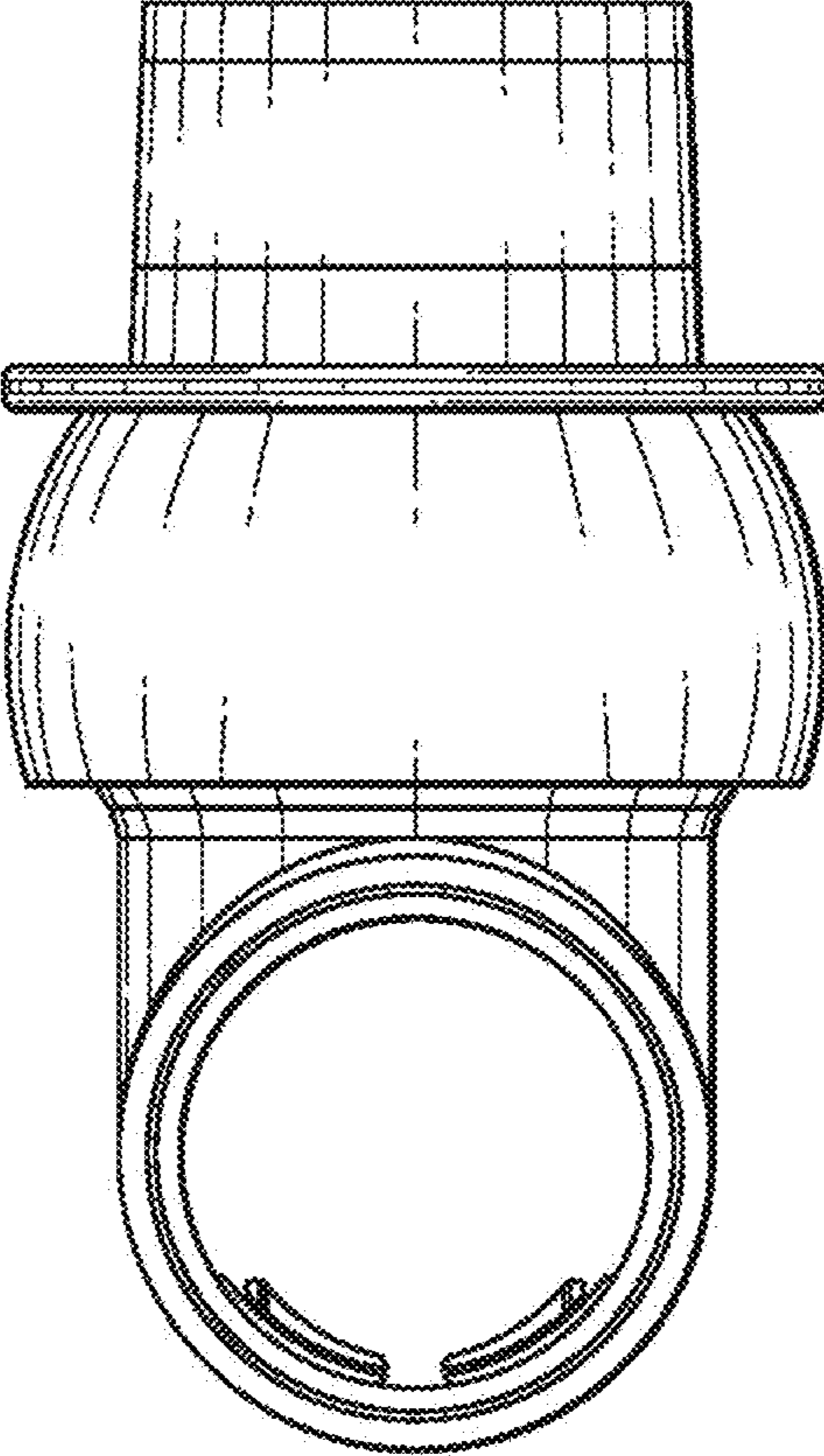


FIG. 7