



US00D689601S

(12) **United States Design Patent**
Black et al.

(10) **Patent No.:** **US D689,601 S**

(45) **Date of Patent:** **** Sep. 10, 2013**

(54) **ASPIRATOR TUBE**

(75) Inventors: **Timothy Black**, Horsham (GB); **Gerard Brooke**, Stroud (GB)

(73) Assignee: **Marie Stopes International**, London (GB)

(**) Term: **14 Years**

(21) Appl. No.: **29/359,701**

(22) Filed: **Apr. 14, 2010**

(30) **Foreign Application Priority Data**

Oct. 14, 2009 (EM) 001623992

(51) **LOC (9) Cl.** **24-01**

(52) **U.S. Cl.**
USPC **D24/108**

(58) **Field of Classification Search**

USPC D24/108, 112, 114, 129, 130, 133,
D24/141; 600/570, 573, 577-578; 604/173,
604/187, 192, 218, 250, 319, 323, 565; 606/84;
D21/529; D7/669

See application file for complete search history.

(56) **References Cited**

U.S. PATENT DOCUMENTS

3,572,337 A * 3/1971 Rexach 604/77
7,267,668 B2 * 9/2007 Ruben 604/187
D587,806 S * 3/2009 Hahn D24/145
D608,886 S * 1/2010 Rueckert et al. D24/130
7,699,812 B2 * 4/2010 Conte 604/192
2002/0068921 A1 * 6/2002 McWethy et al. 604/506
2002/0169421 A1 * 11/2002 McWethy et al. 604/192
2004/0064108 A1 * 4/2004 Krantz et al. 604/240

2004/0199124 A1 * 10/2004 Conte 604/192
2005/0153259 A1 * 7/2005 Simonton et al. 433/89
2007/0161965 A1 * 7/2007 Burton et al. 604/323
2008/0051729 A1 * 2/2008 Cheng 604/232
2010/0256595 A1 * 10/2010 Leach et al. 604/506
2011/0224642 A1 * 9/2011 Fojtik 604/500
2012/0071845 A1 * 3/2012 Hu et al. 604/319
2012/0109073 A1 * 5/2012 Anderson et al. 604/192
2012/0123351 A1 * 5/2012 Lanin et al. 604/218

FOREIGN PATENT DOCUMENTS

WO WO 2011042719 A2 * 4/2011

* cited by examiner

Primary Examiner — Ian Simmons

Assistant Examiner — Shannon Weekley

(74) *Attorney, Agent, or Firm* — Young & Thompson

(57) **CLAIM**

The ornamental design for an aspirator tube, as shown and described.

DESCRIPTION

FIG. 1 is a front, top, right side perspective view of an aspirator tube showing our new design;

FIG. 2 is a front, bottom, left side perspective view thereof, wherein the plunger of the aspirator tube is fully extended;

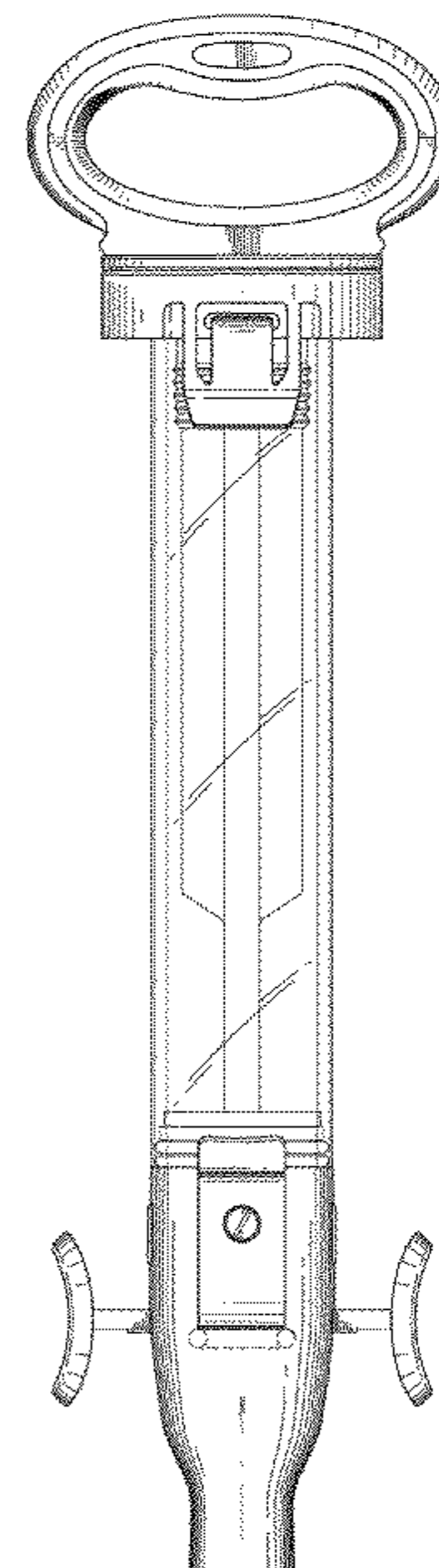
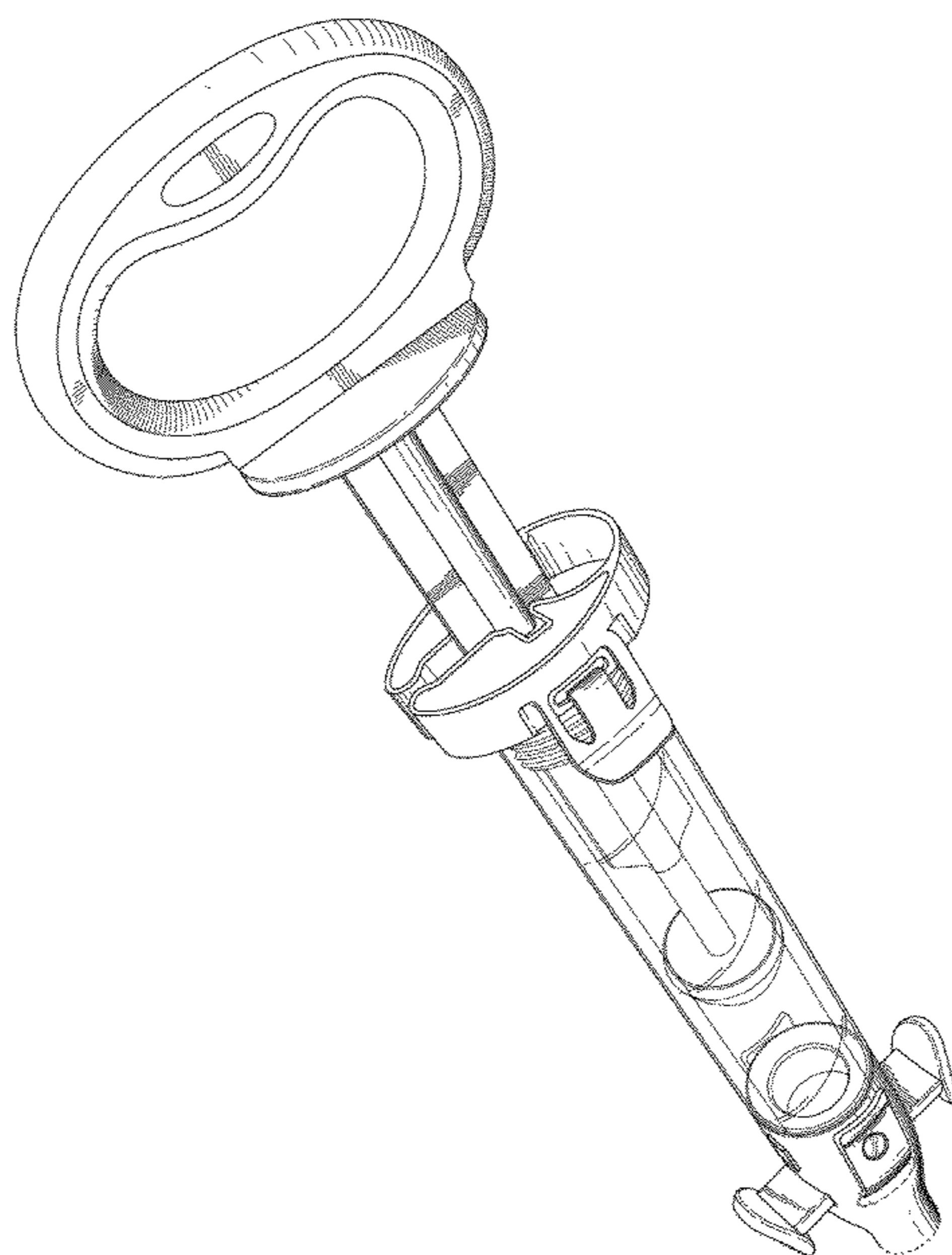
FIG. 3 is a front, bottom, left side perspective view thereof, wherein the plunger of the aspirator tube is partially depressed;

FIG. 4 is a front, bottom perspective view thereof, wherein the plunger of the aspirator tube is fully depressed; and,

FIG. 5 is a front elevation view thereof.

The broken lines shown in FIGS. 1-5 of the aspirator tube are for the purpose of illustrating environment, and forms no part of the claimed design.

1 Claim, 5 Drawing Sheets



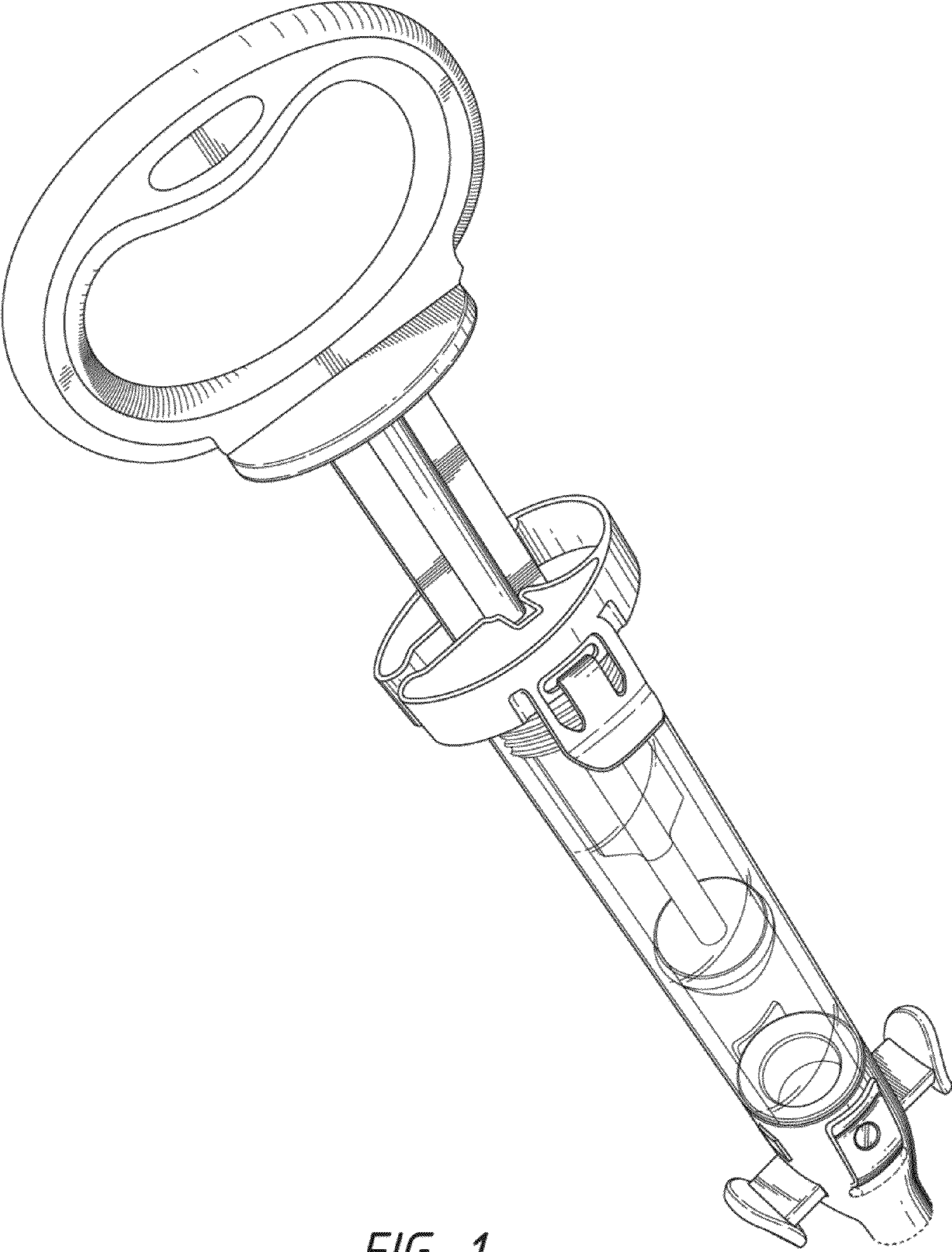


FIG. 1

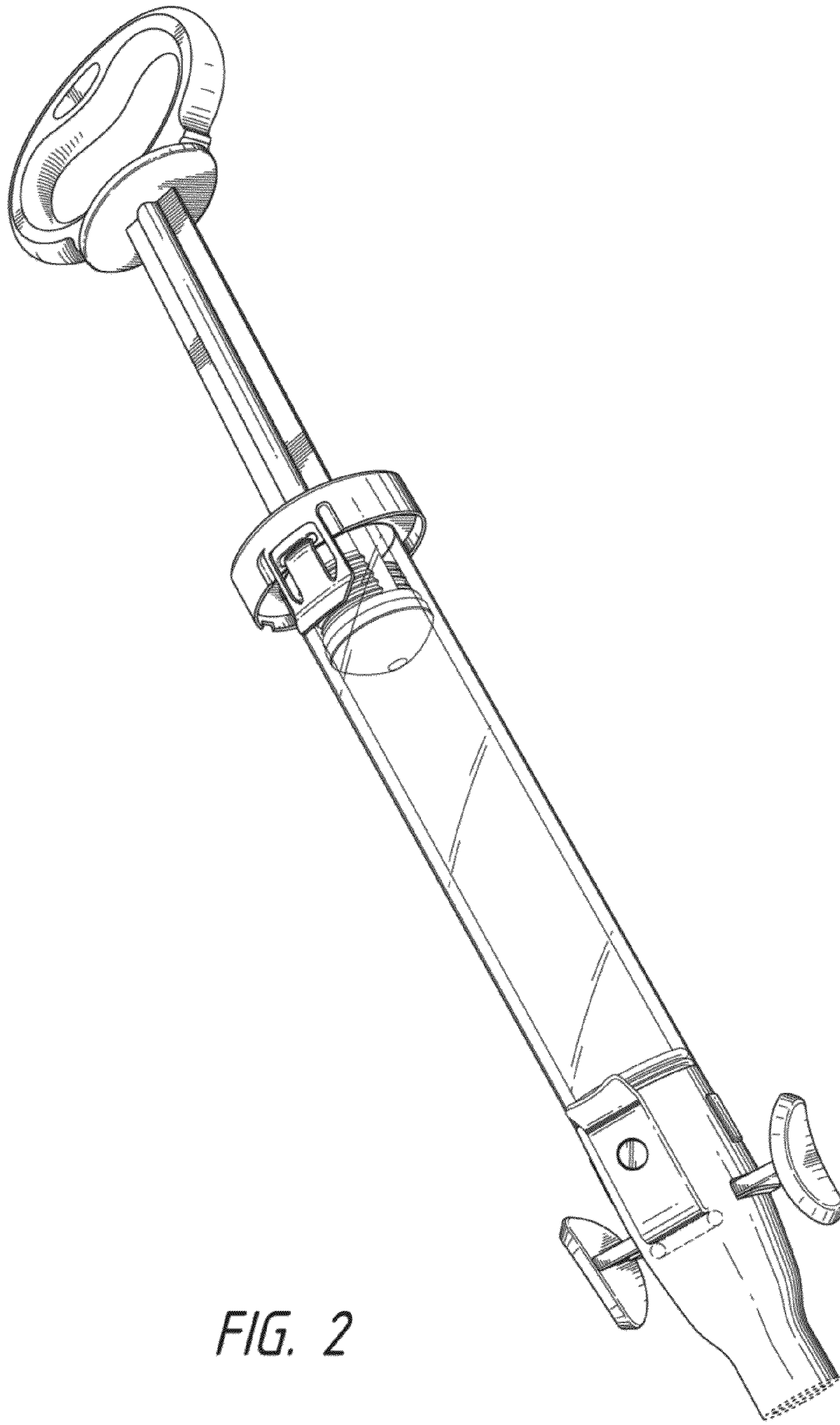


FIG. 2

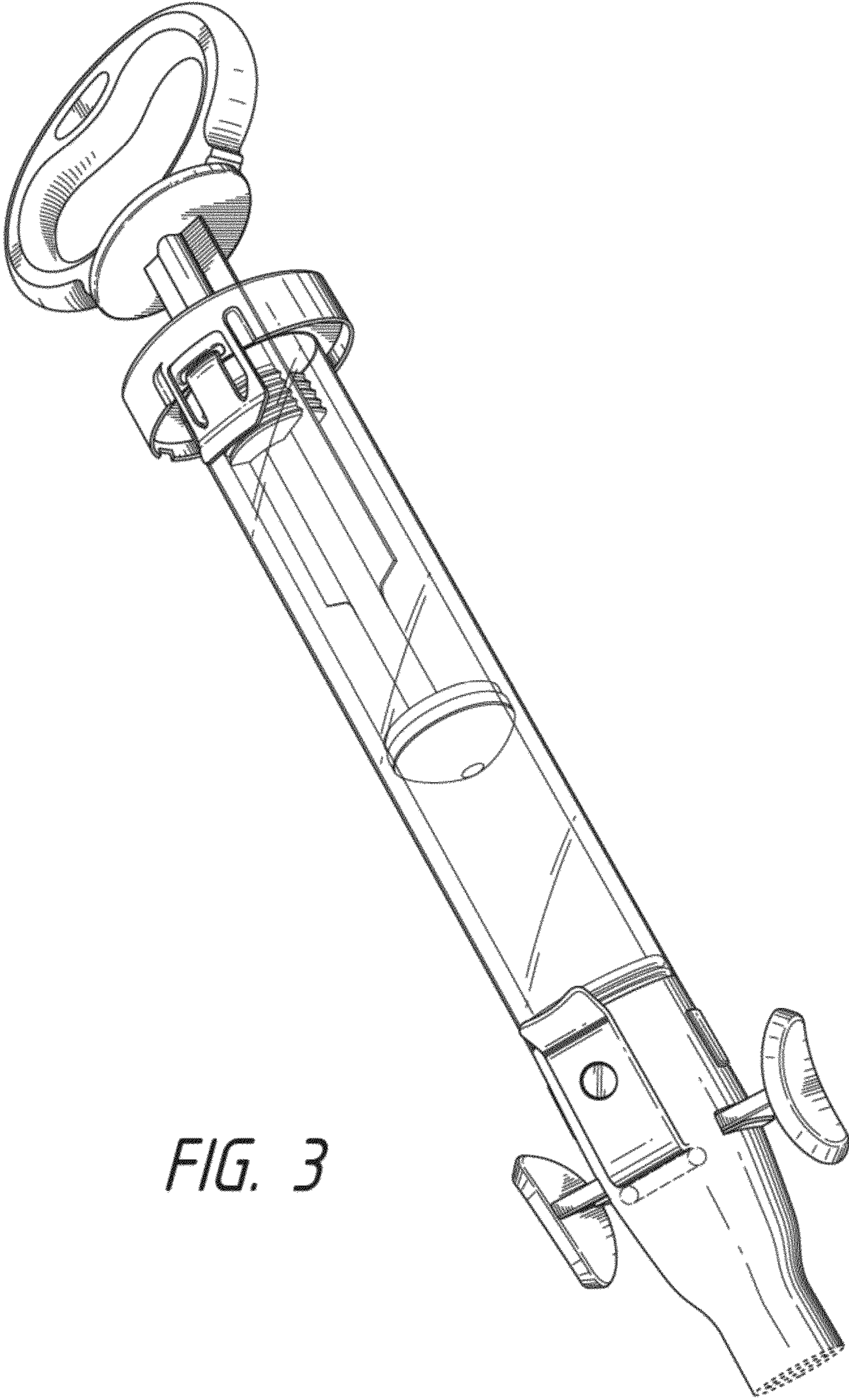


FIG. 3

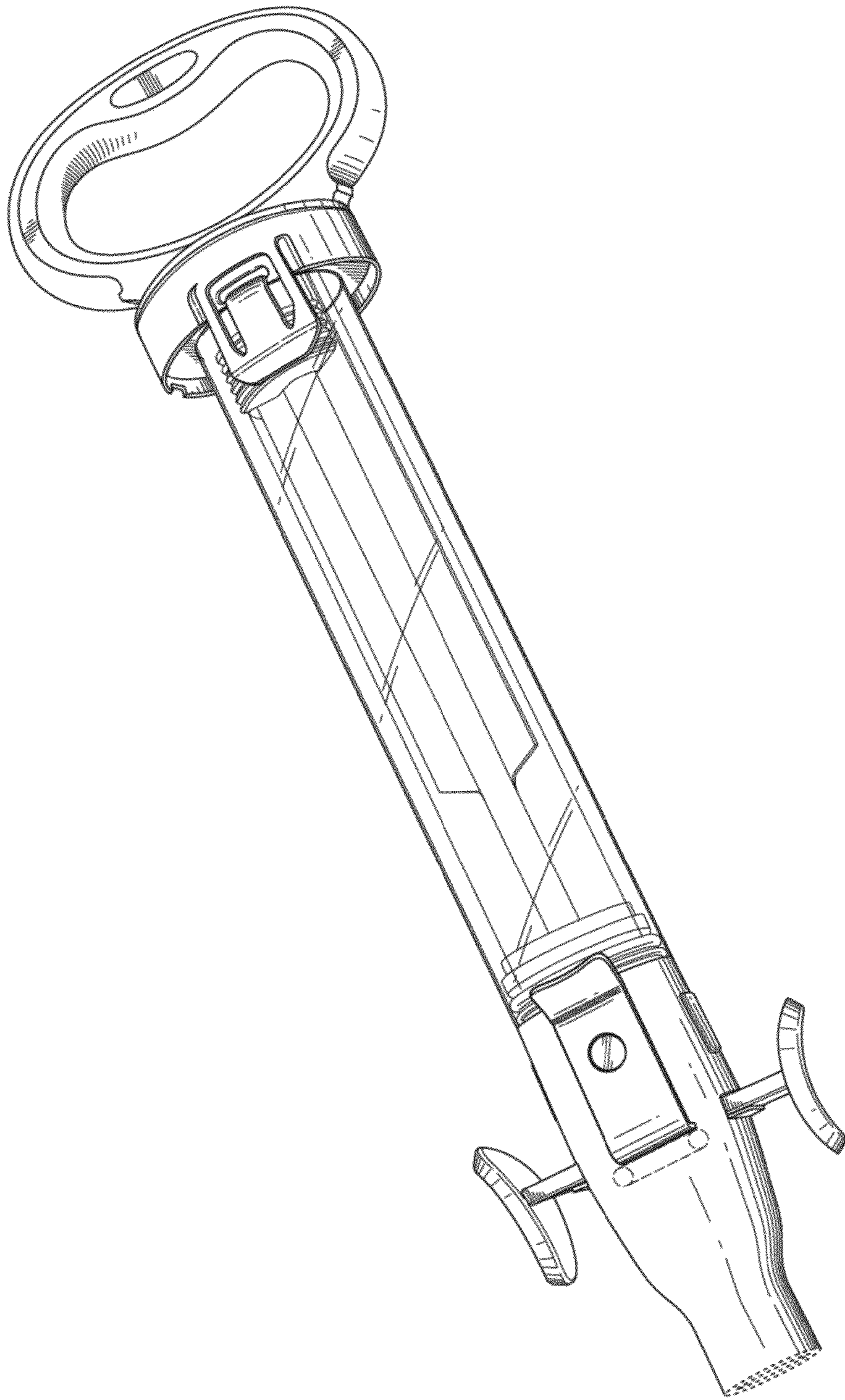


FIG. 4

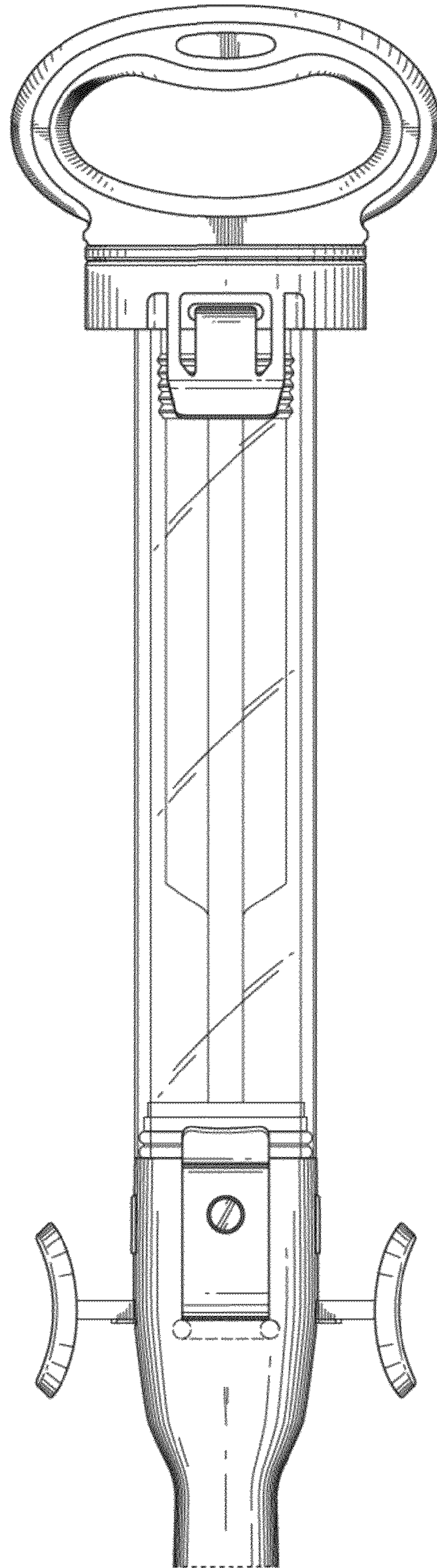


FIG. 5