



US00D689600S

(12) **United States Design Patent**
Herbst

(10) **Patent No.:** **US D689,600 S**
(45) **Date of Patent:** **** Sep. 10, 2013**

(54) **FAN ENCLOSURE WITH MOLDED IN HANDLE**

(71) Applicant: **Scot Herbst**, Santa Cruz, CA (US)

(72) Inventor: **Scot Herbst**, Santa Cruz, CA (US)

(**) Term: **14 Years**

(21) Appl. No.: **29/442,074**

(22) Filed: **Dec. 3, 2012**

(51) **LOC (9) Cl.** **23-04**

(52) **U.S. Cl.**
USPC **D23/382**

(58) **Field of Classification Search**
USPC D23/317, 330, 332-342, 351-360,
D23/363, 364, 370-379, 381-383, 385-388,
D23/393, 394, 399, 411-414; 454/237-253,
454/186, 228-236, 192; 52/302.1; 417/423.1,
417/423.14; 415/182.1, 200, 90; 416/244 R,
416/246, 247 R; D6/309; D21/430, 436,
D21/442, 447, 450, 453, 458; 5/421, 423
See application file for complete search history.

(56) **References Cited**

U.S. PATENT DOCUMENTS

D387,151 S *	12/1997	Fok	D23/381
D429,326 S *	8/2000	Fok	D23/381
D458,361 S *	6/2002	Melwani	D23/379
D546,436 S *	7/2007	Chen	D23/382
D546,933 S *	7/2007	Chen	D23/382
D564,084 S *	3/2008	Chen	D23/382
D565,721 S *	4/2008	Chen	D23/382
D566,260 S *	4/2008	Chen	D23/382
D580,539 S *	11/2008	Rittri et al.	D23/364

D595,836 S *	7/2009	Ediger et al.	D23/411
D597,196 S *	7/2009	Ediger et al.	D23/411
D610,671 S *	2/2010	Zhuang et al.	D23/382

* cited by examiner

Primary Examiner — Susan Bennett Hattan

Assistant Examiner — Janice Hallmark

(74) *Attorney, Agent, or Firm* — Knechtel, Demeur & Samlan

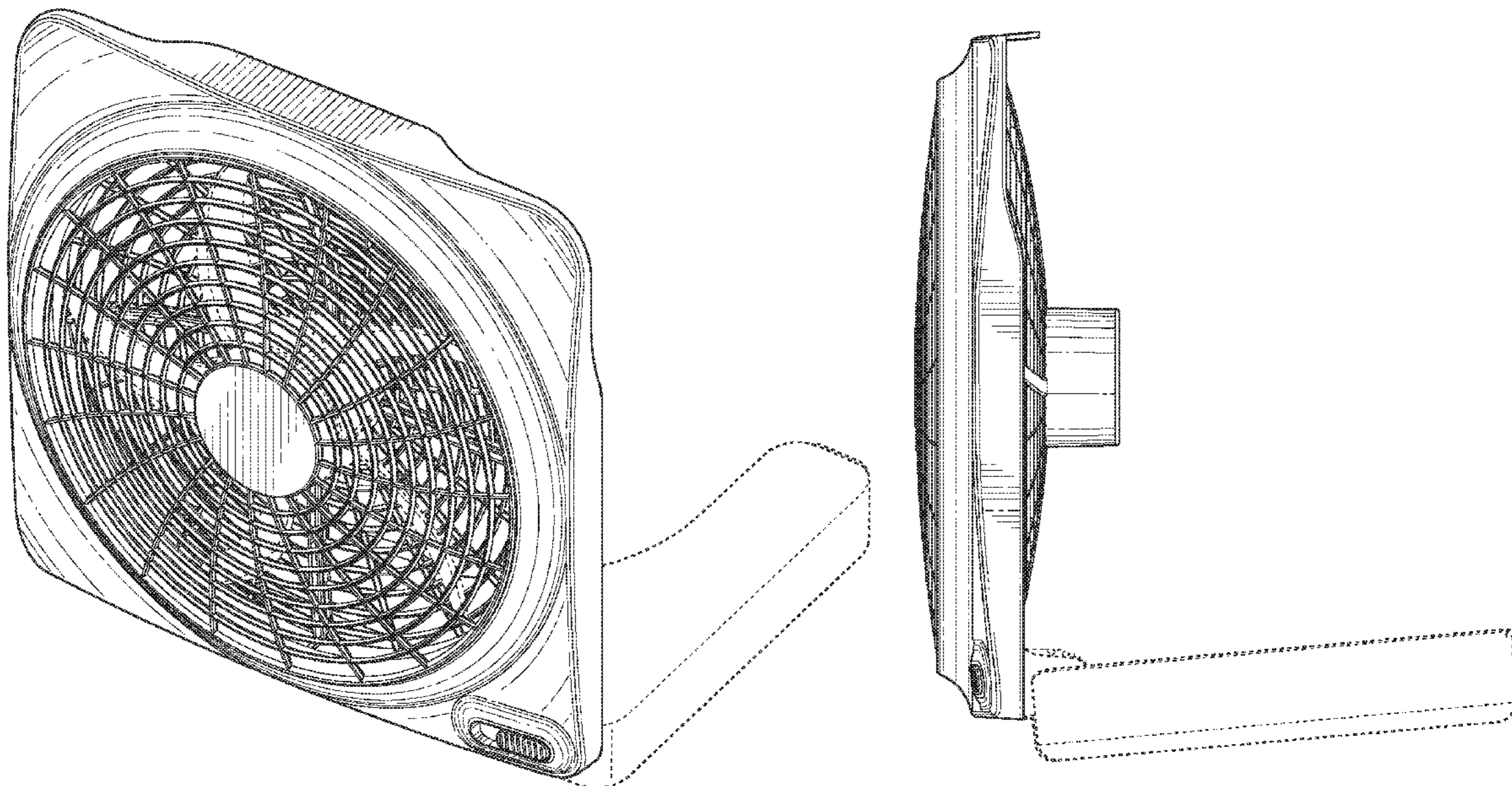
(57) **CLAIM**

I claim the ornamental design for a fan enclosure with molded in handle, as shown and described.

DESCRIPTION

FIG. 1 is a front perspective view of the fan enclosure with molded in handle;
 FIG. 2 is a rear perspective view of the fan enclosure with molded in handle;
 FIG. 3 is a front elevational view of the fan enclosure with molded in handle;
 FIG. 4 is a rear elevational view of the fan enclosure with molded in handle;
 FIG. 5 is a side elevational view of the fan enclosure with molded in handle;
 FIG. 6 is a side elevational view of the opposed side of the fan enclosure with molded in handle;
 FIG. 7 is a top elevational view of the fan enclosure with molded in handle; and,
 FIG. 8 is a bottom elevational view of the fan enclosure with molded in handle.
 The broken line showing of structure is included for the purpose of illustrating portions of the "article" and forms no part of the claimed design.

1 Claim, 8 Drawing Sheets



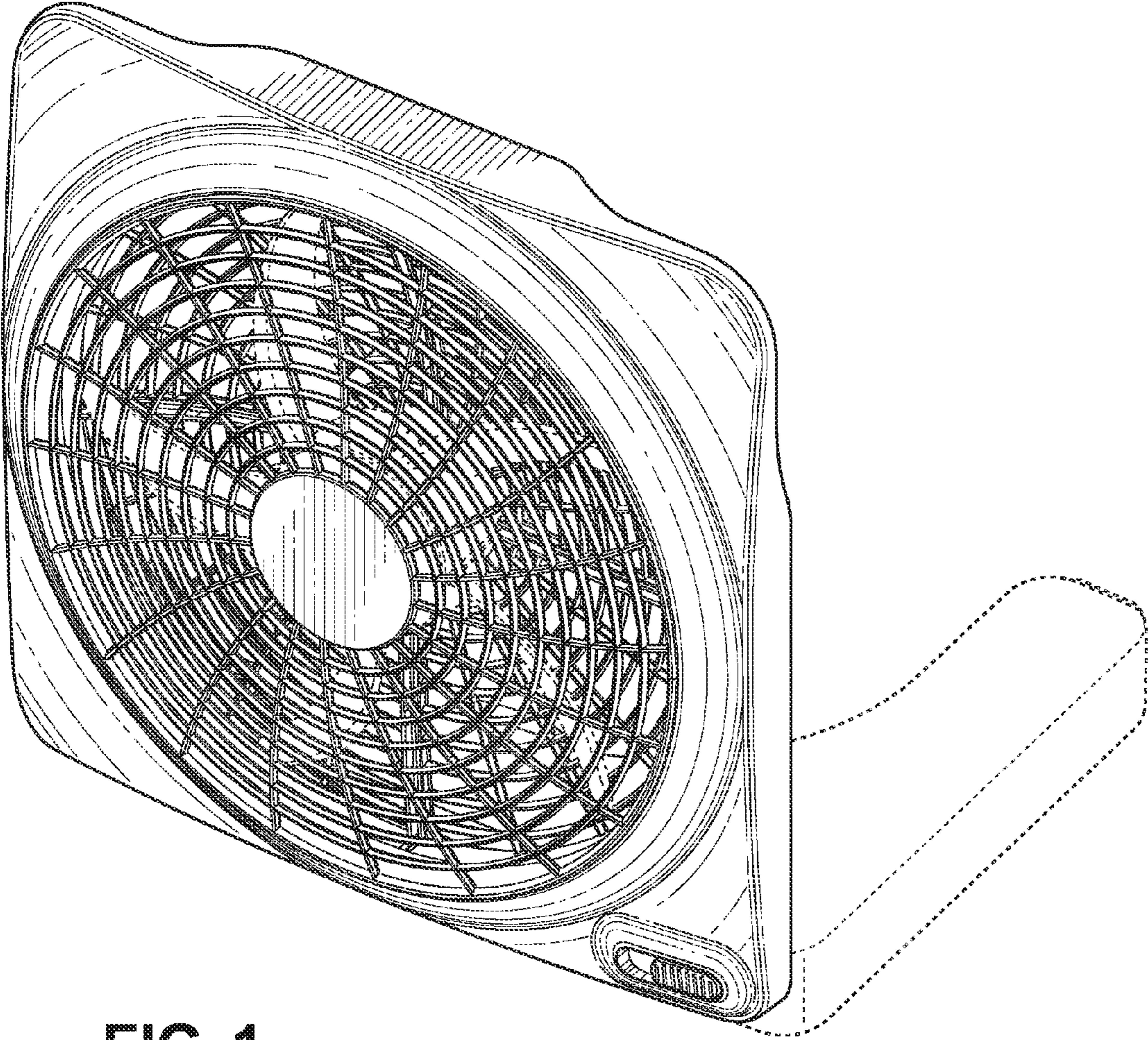


FIG. 1

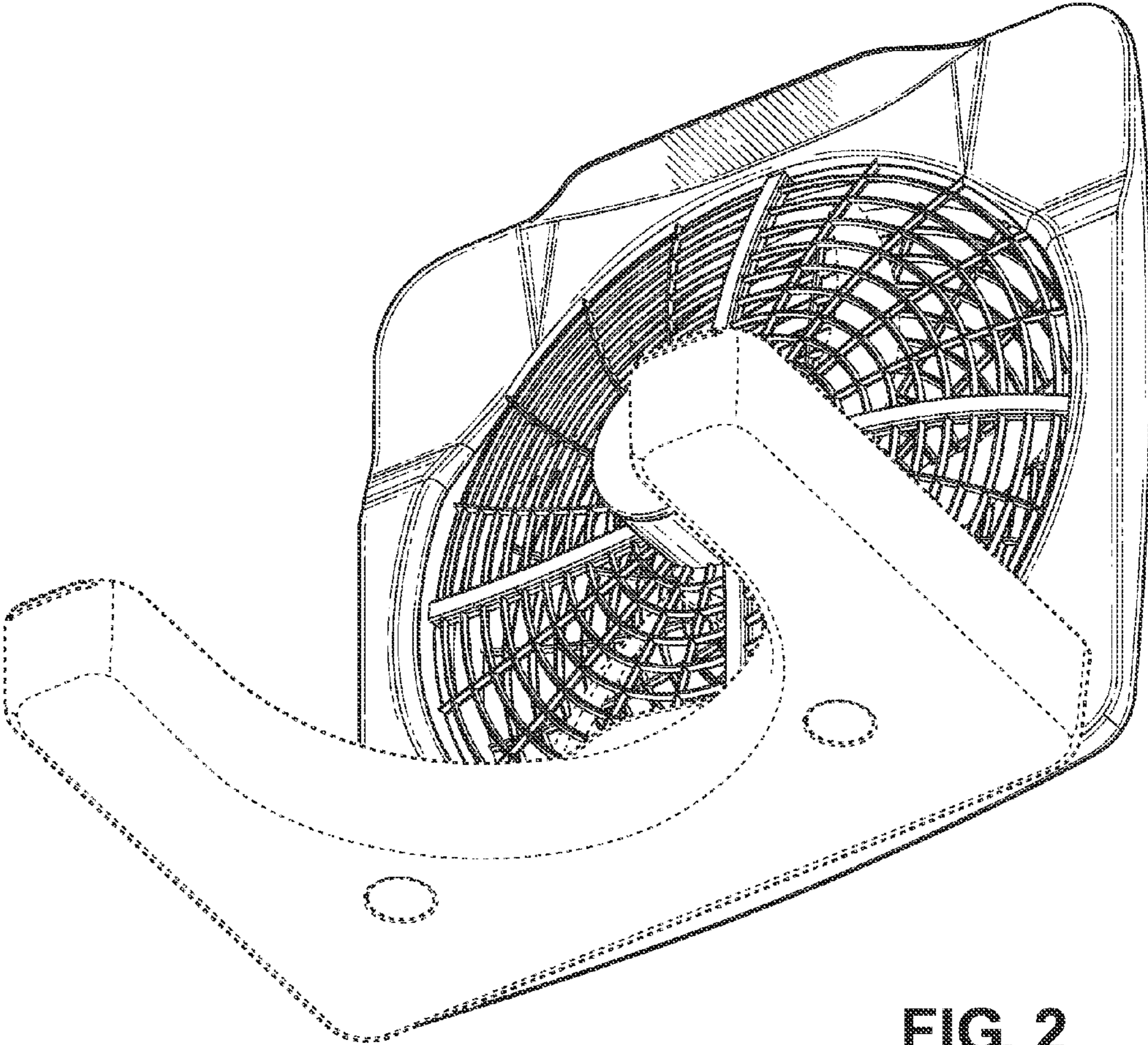


FIG. 2

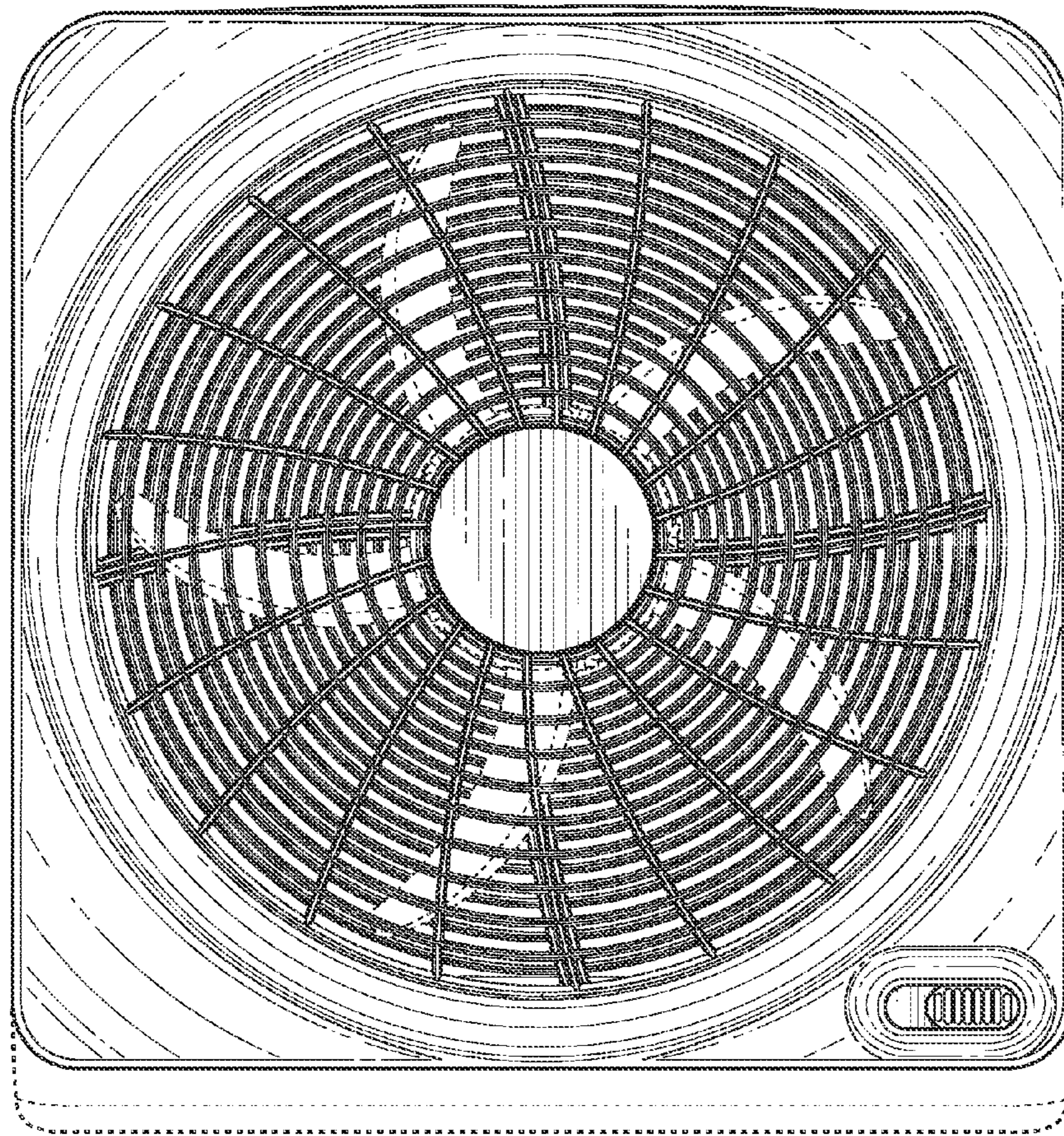


FIG. 3

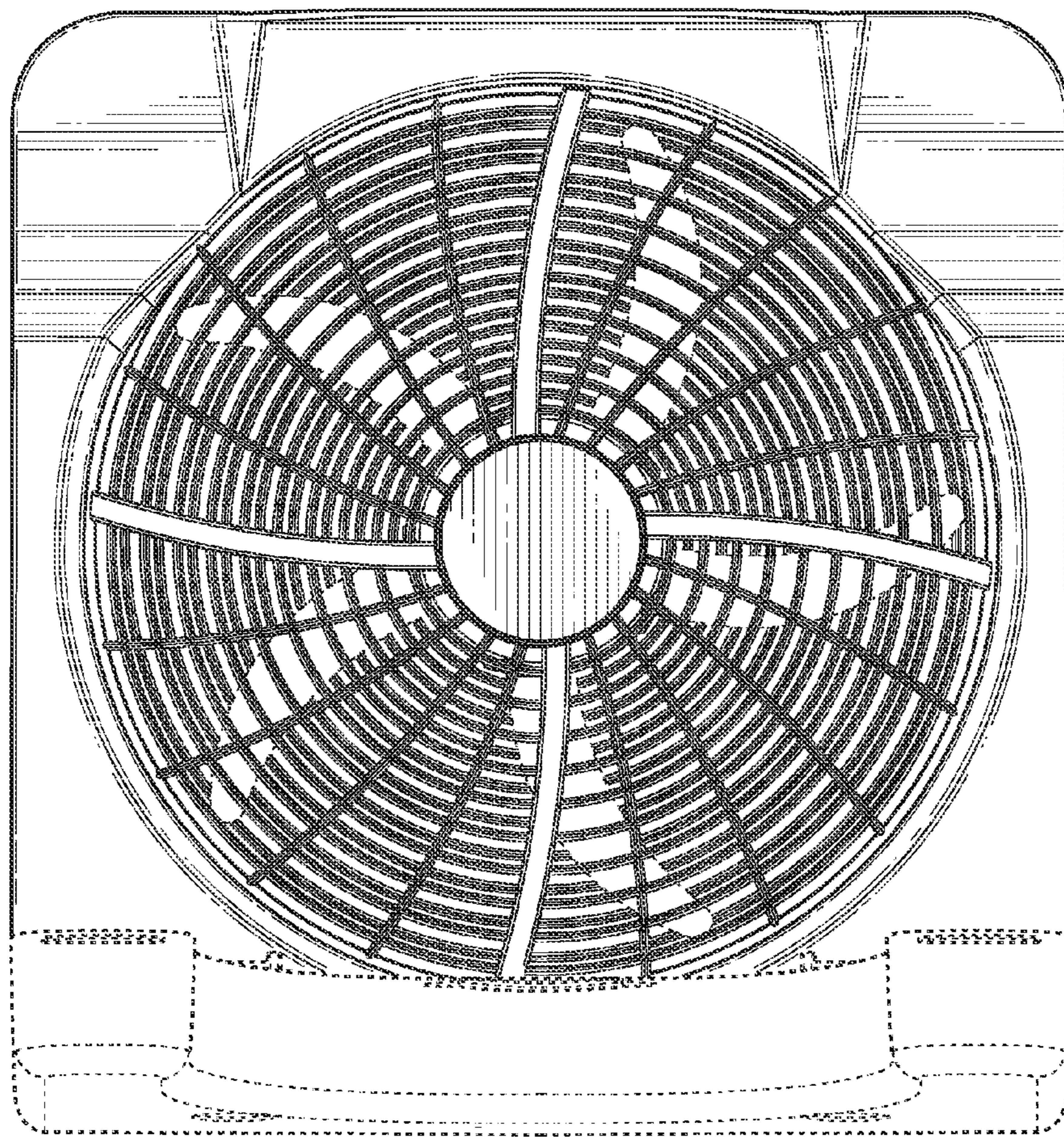


FIG. 4

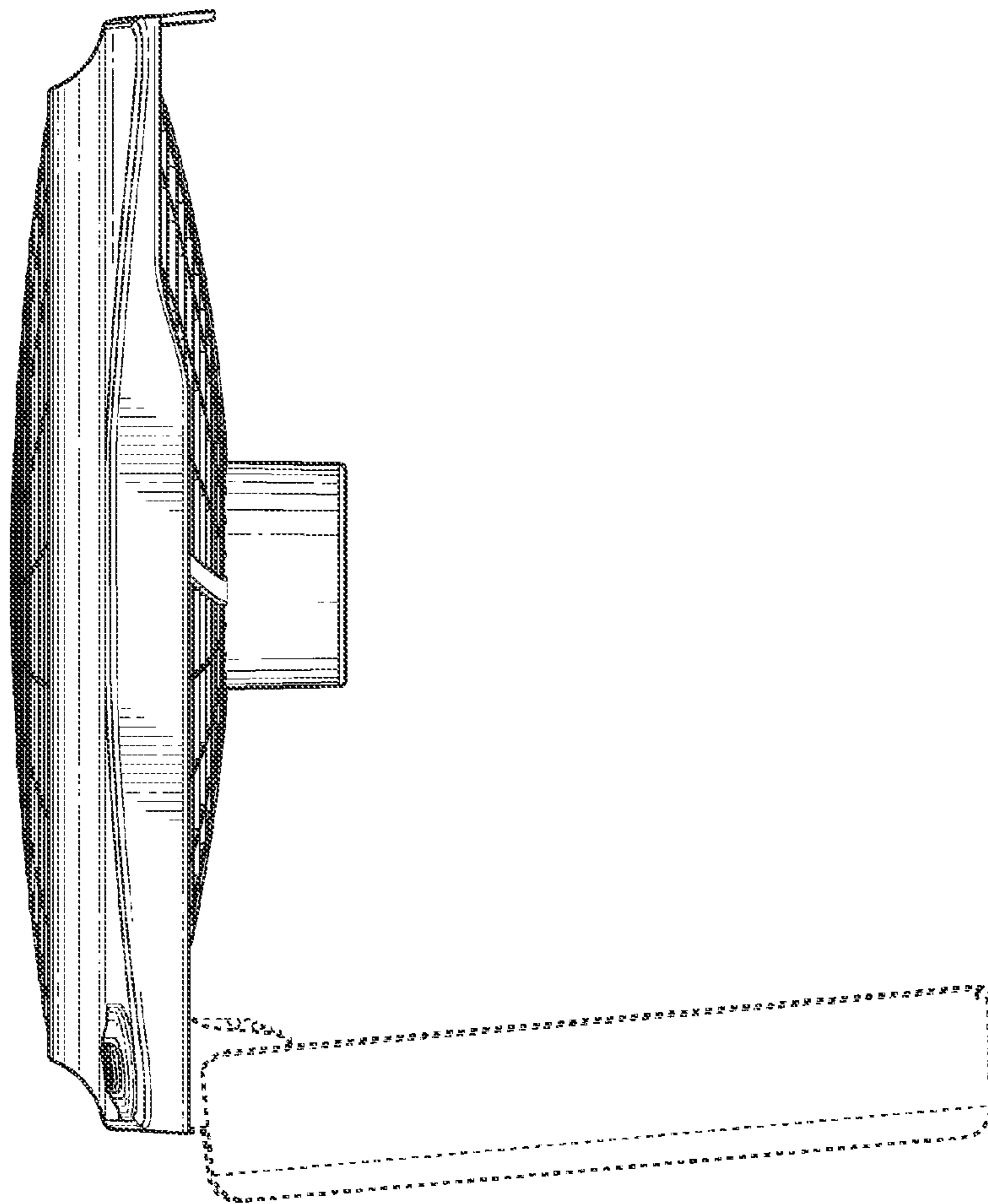


FIG. 5

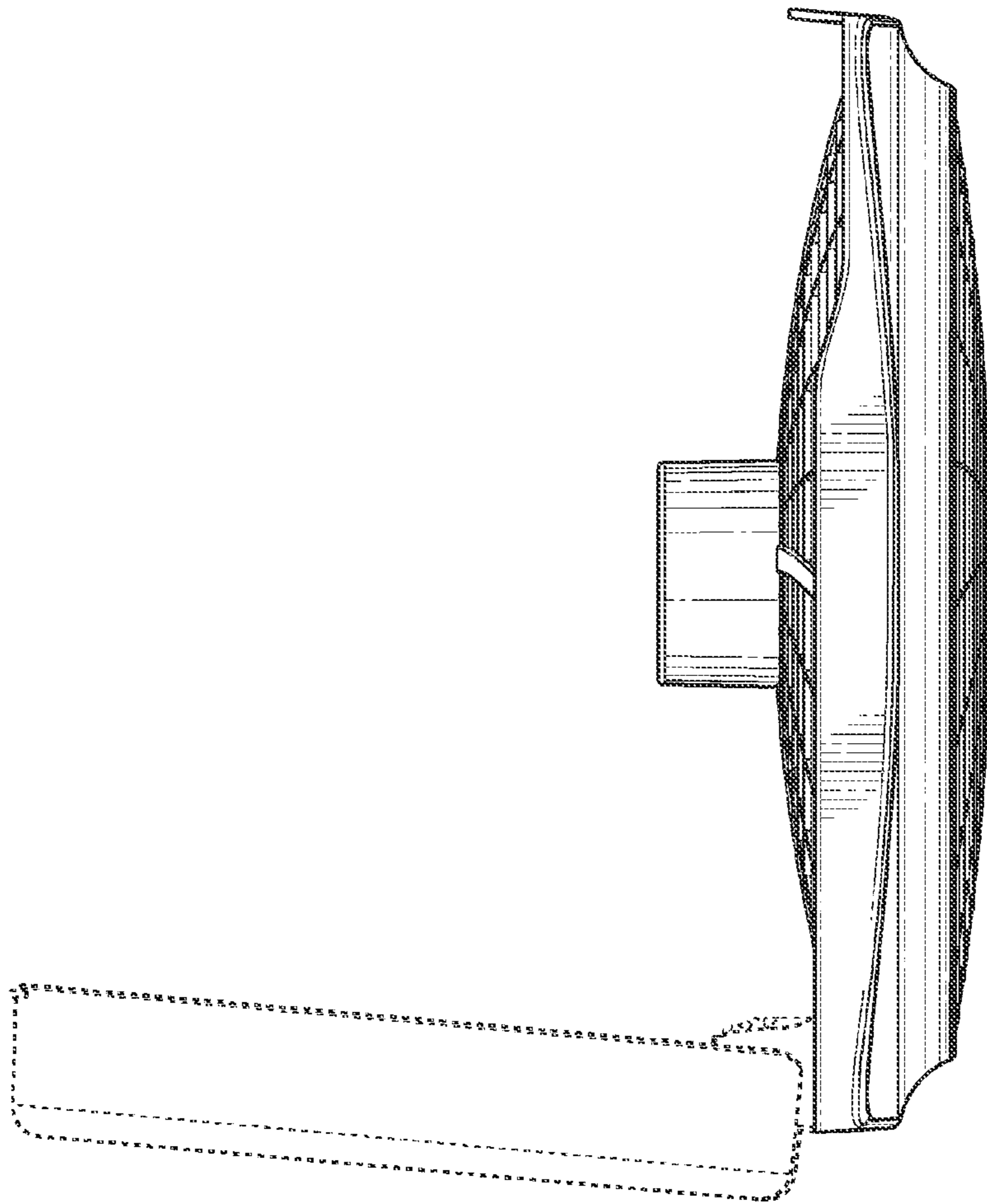


FIG. 6

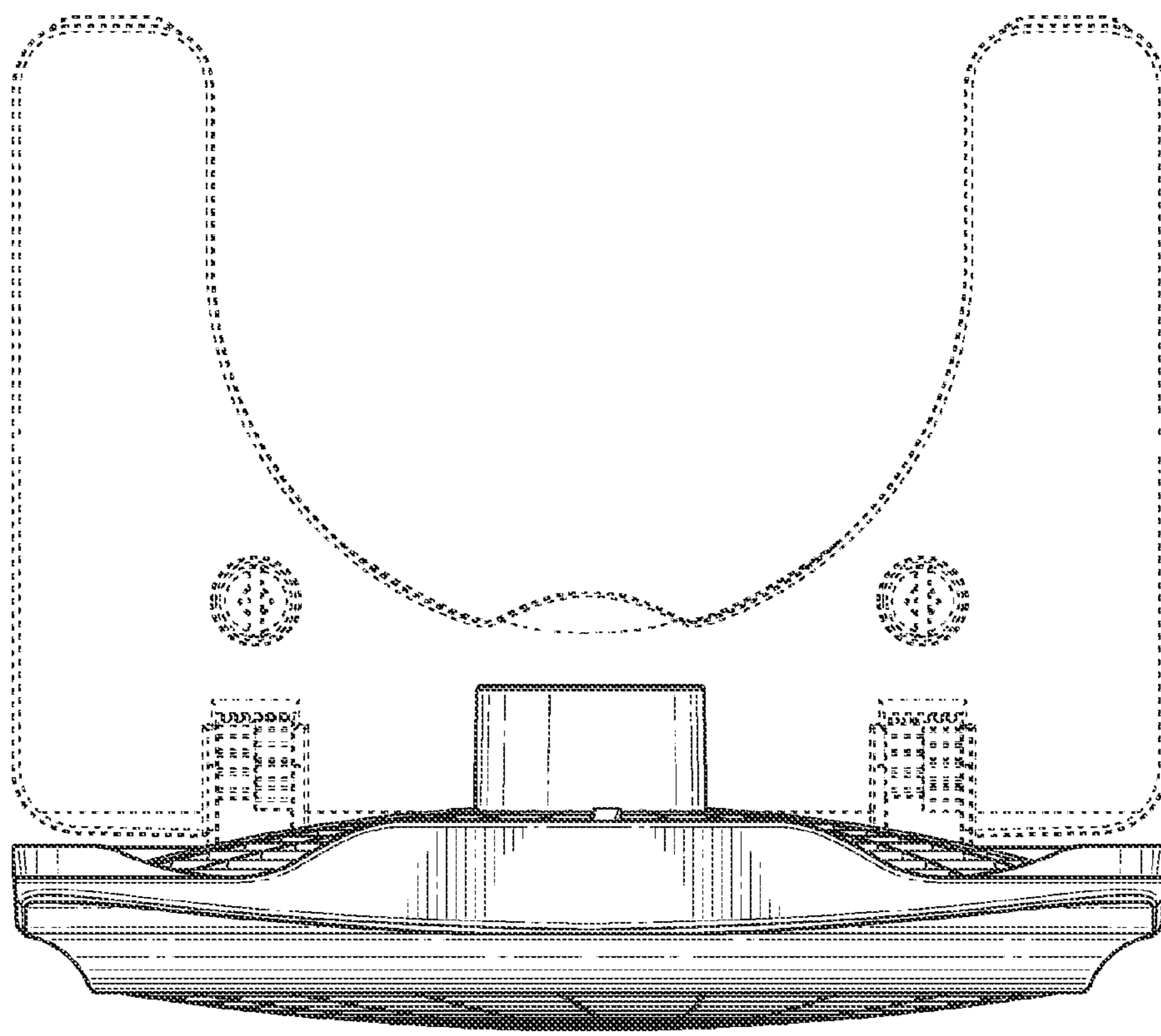


FIG. 7

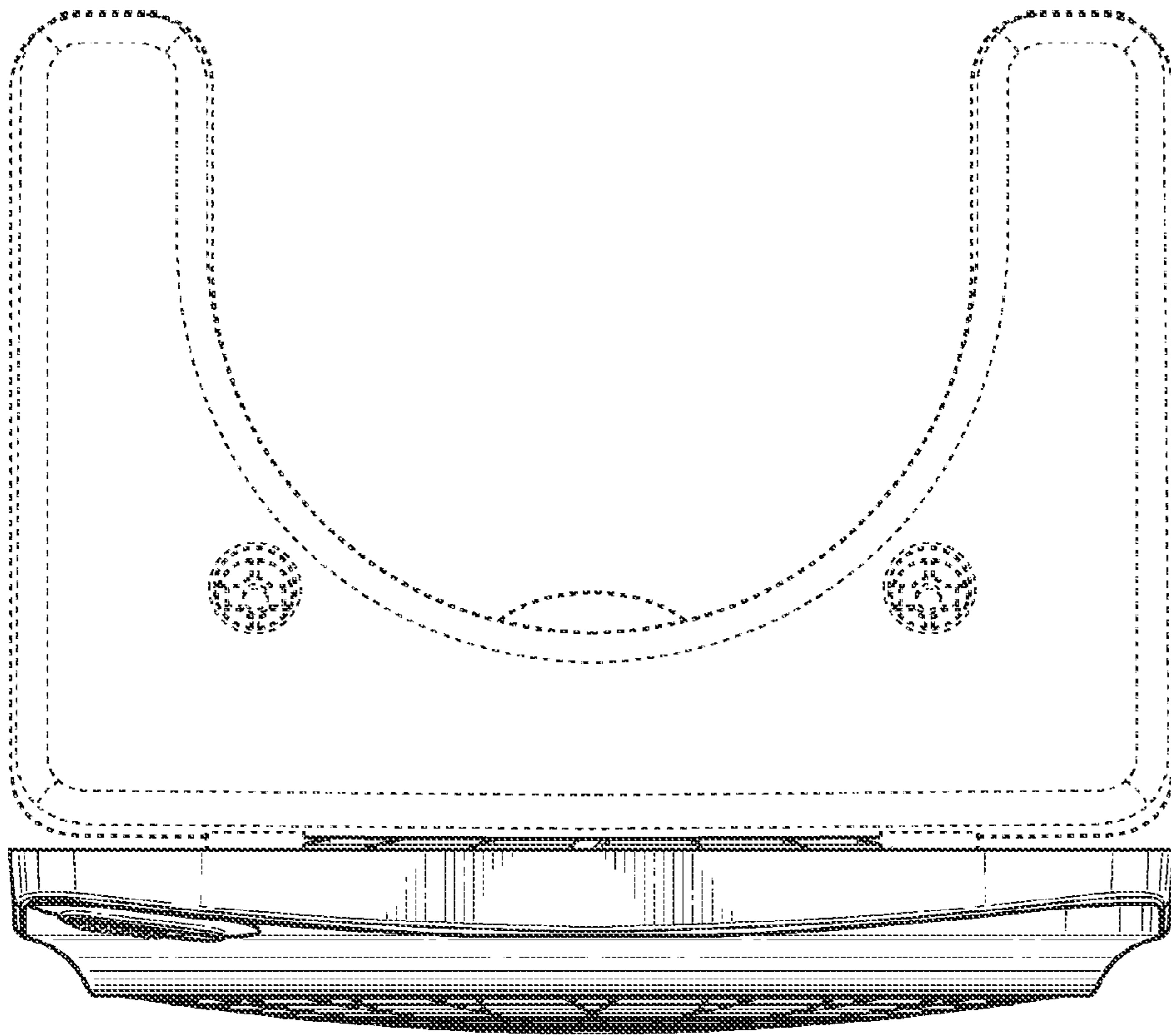


FIG. 8