



US00D689594S

(12) **United States Design Patent**  
**Kumakura**

(10) **Patent No.:** **US D689,594 S**

(45) **Date of Patent:** **\*\* Sep. 10, 2013**

(54) **EXPANSION VALVE FOR REFRIGERATION CYCLE**

(75) Inventor: **Takanao Kumakura**, Tokyo (JP)

(73) Assignee: **TGK Co., Ltd.**, Tokyo (JP)

(\*\*) Term: **14 Years**

(21) Appl. No.: **29/407,718**

(22) Filed: **Dec. 1, 2011**

(30) **Foreign Application Priority Data**

Jun. 6, 2011 (JP) ..... 2011-012763

(51) **LOC (9) Cl.** ..... **23-01**

(52) **U.S. Cl.**  
USPC ..... **D23/233**

(58) **Field of Classification Search**  
USPC ..... D23/233, 237, 244-249; 137/625.48;  
236/63, 64, 66  
See application file for complete search history.

(56) **References Cited**

**U.S. PATENT DOCUMENTS**

D434,831 S \* 12/2000 Okada et al. .... D23/233  
D498,516 S \* 11/2004 Fukuda et al. .... D23/233

D552,716 S \* 10/2007 Chastine et al. .... D23/233  
D589,118 S \* 3/2009 Watanabe ..... D23/233  
D611,123 S \* 3/2010 Matsumoto ..... D23/233  
D648,000 S \* 11/2011 Shimura et al. .... D23/233  
D648,418 S \* 11/2011 Kobayashi et al. .... D23/233  
D649,222 S \* 11/2011 Kobayashi et al. .... D23/233

\* cited by examiner

*Primary Examiner* — Cynthia Ramirez

(74) *Attorney, Agent, or Firm* — Westerman, Hattori, Daniels & Adrian, LLP

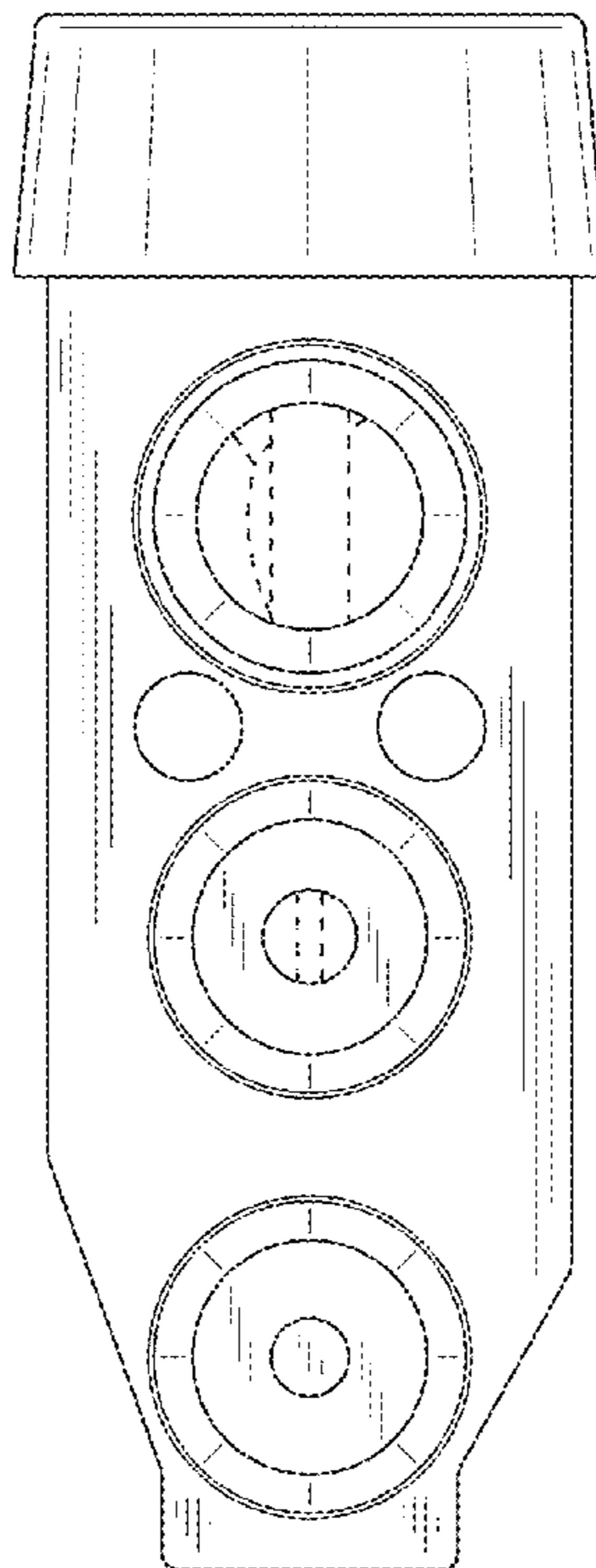
(57) **CLAIM**

The ornamental design for an expansion valve for refrigeration cycle, as shown and described.

**DESCRIPTION**

FIG. 1 is a front view of an expansion valve for refrigeration cycle.  
FIG. 2 is a rear view of the expansion valve.  
FIG. 3 is a left side view of the expansion valve.  
FIG. 4 is a right side view of the expansion valve.  
FIG. 5 is a top plan view of the expansion valve.  
FIG. 6 is a bottom plan view of the expansion valve; and,  
FIG. 7 is a view showing the front, top, and right side of the expansion valve.

**1 Claim, 7 Drawing Sheets**



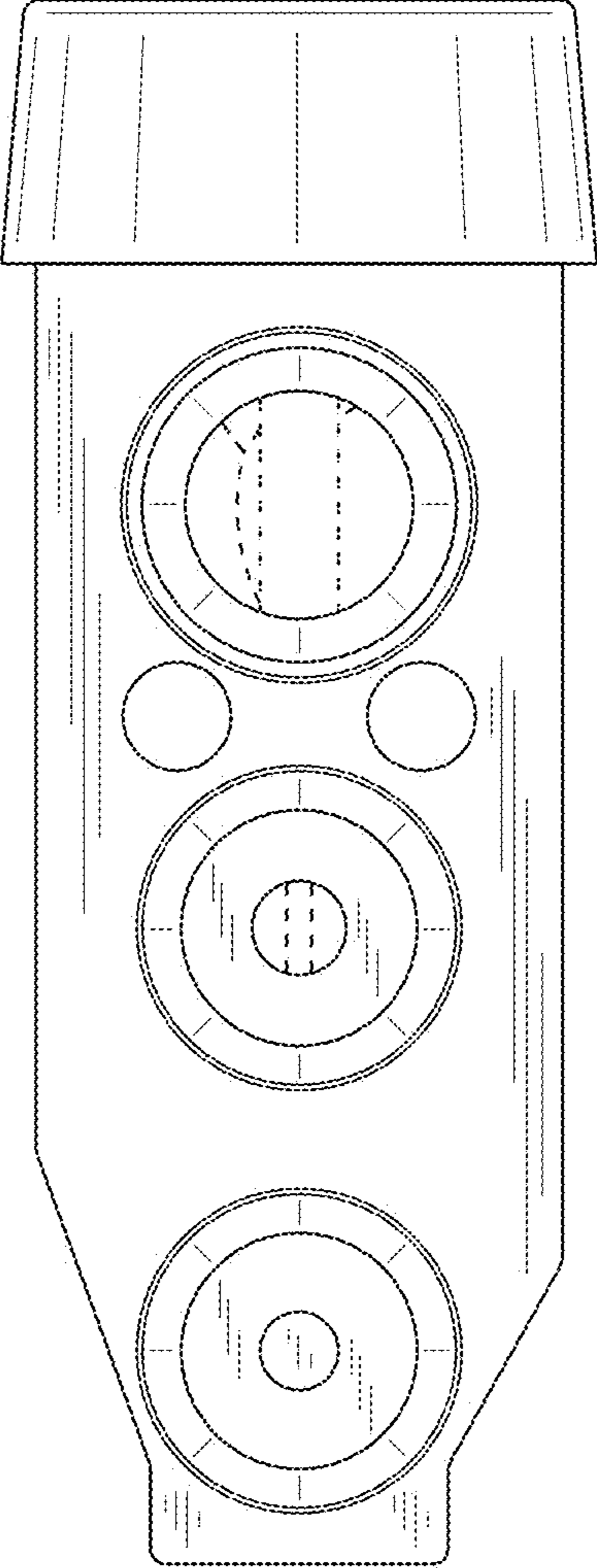


FIG. 1

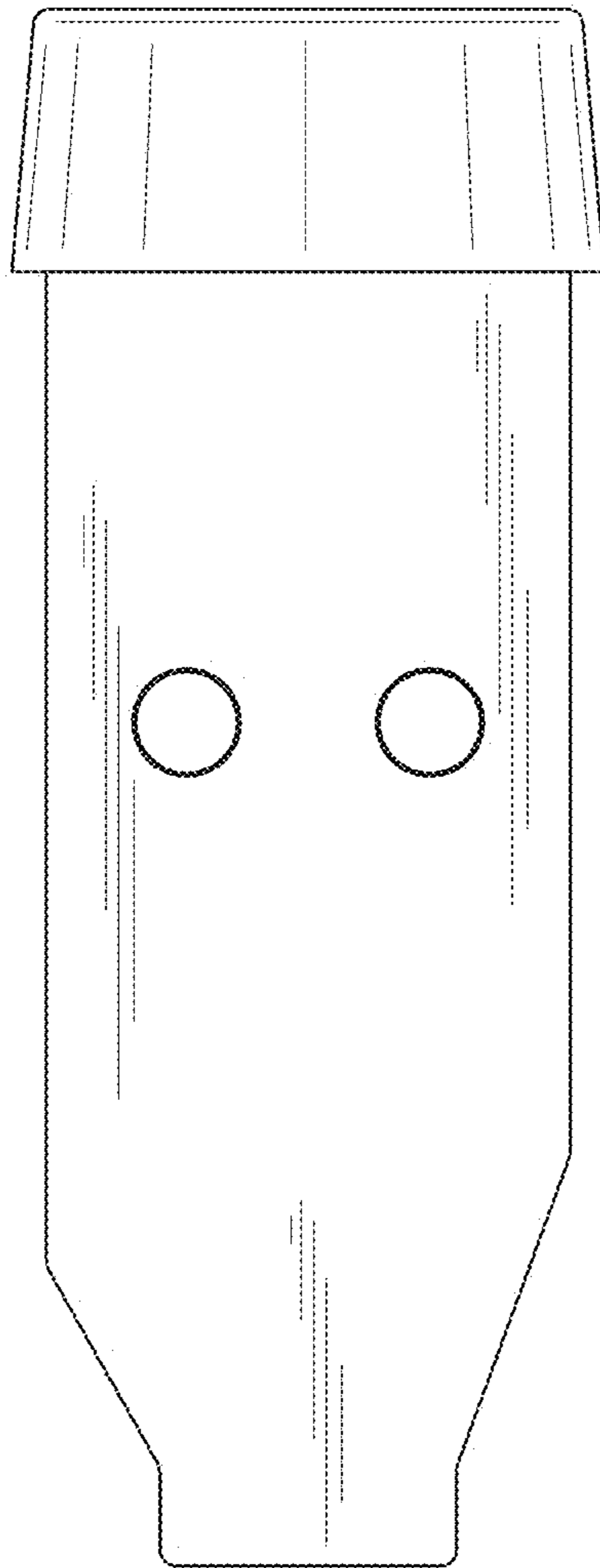


FIG.2

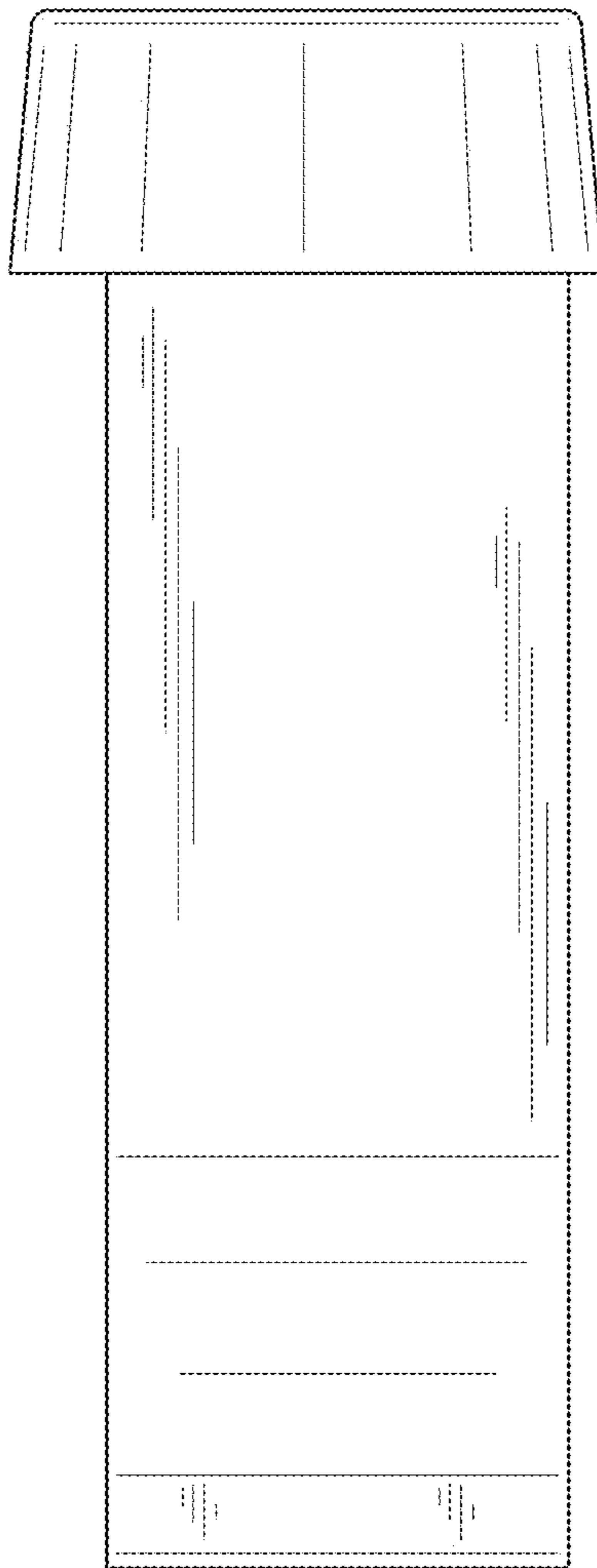


FIG.3

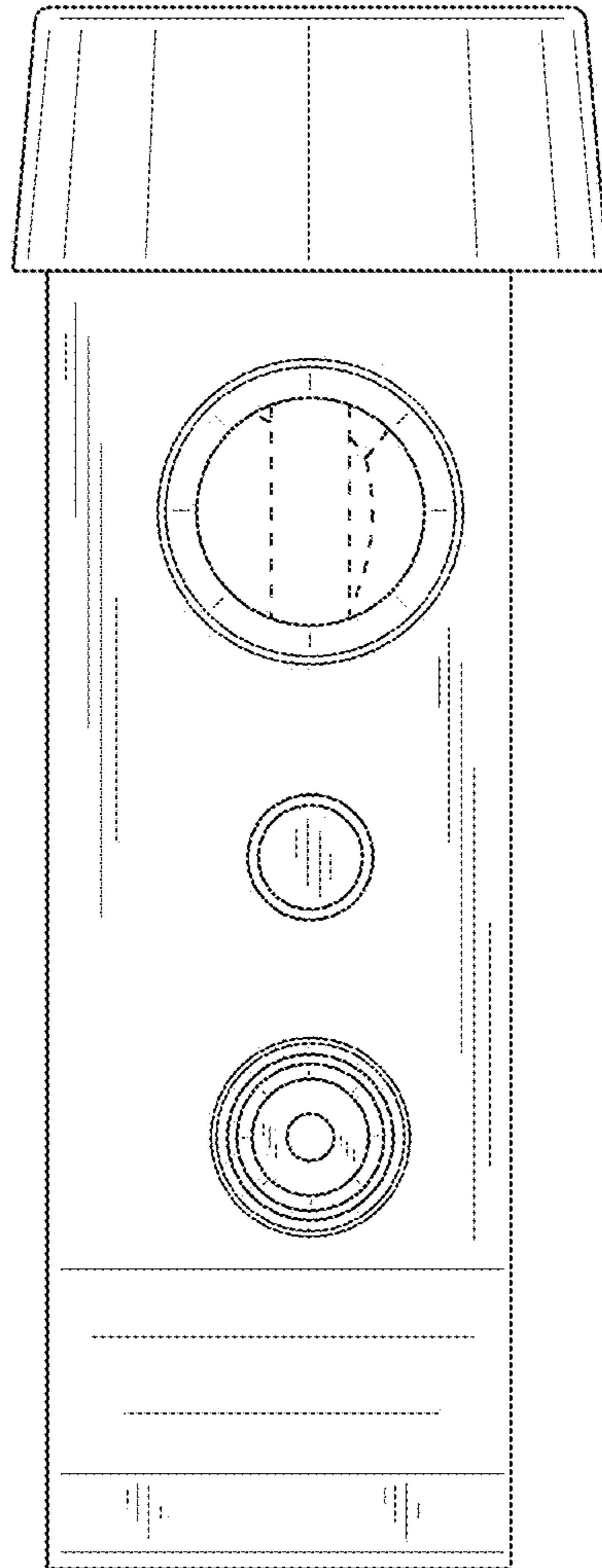


FIG.4

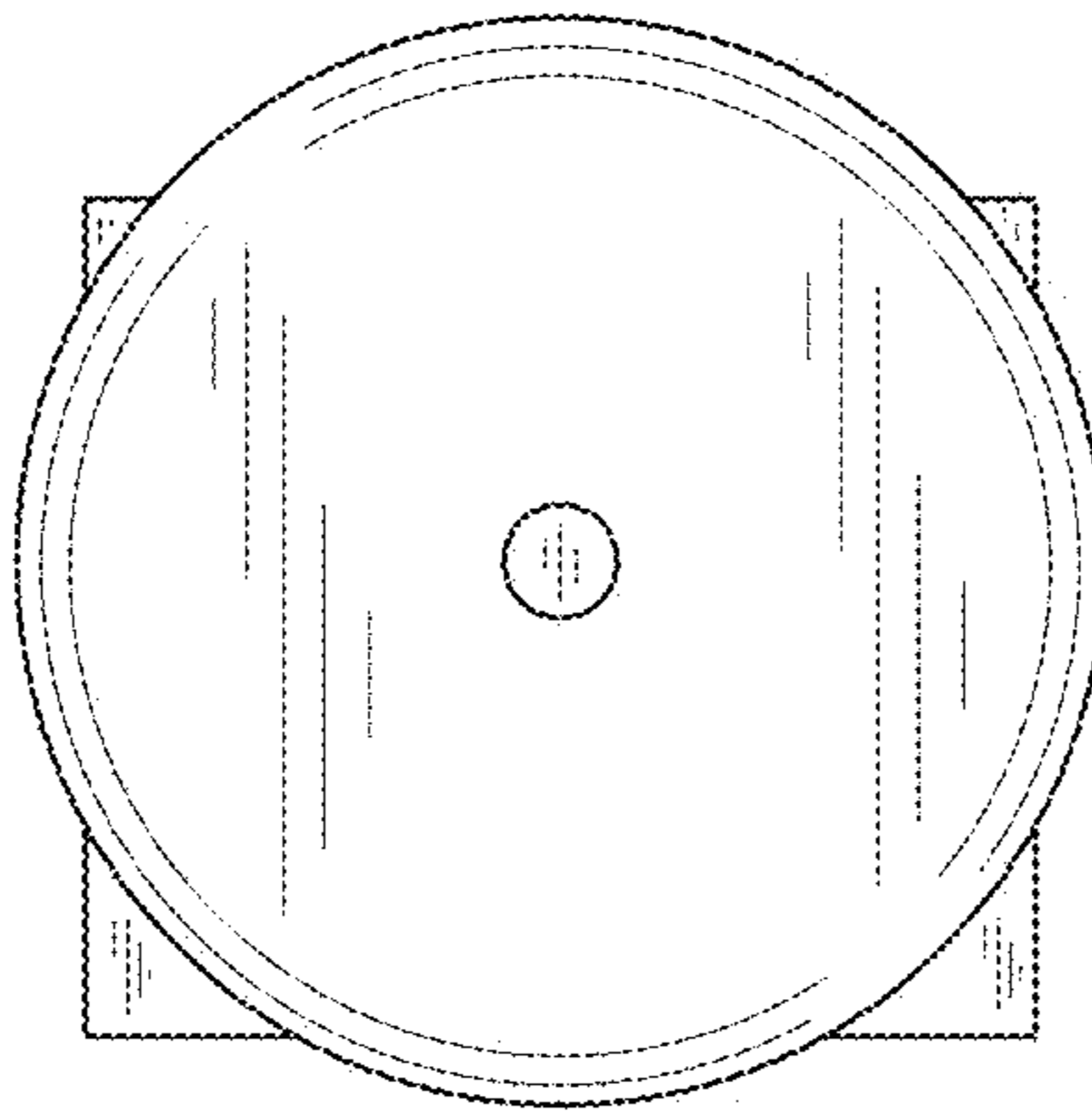


FIG. 5

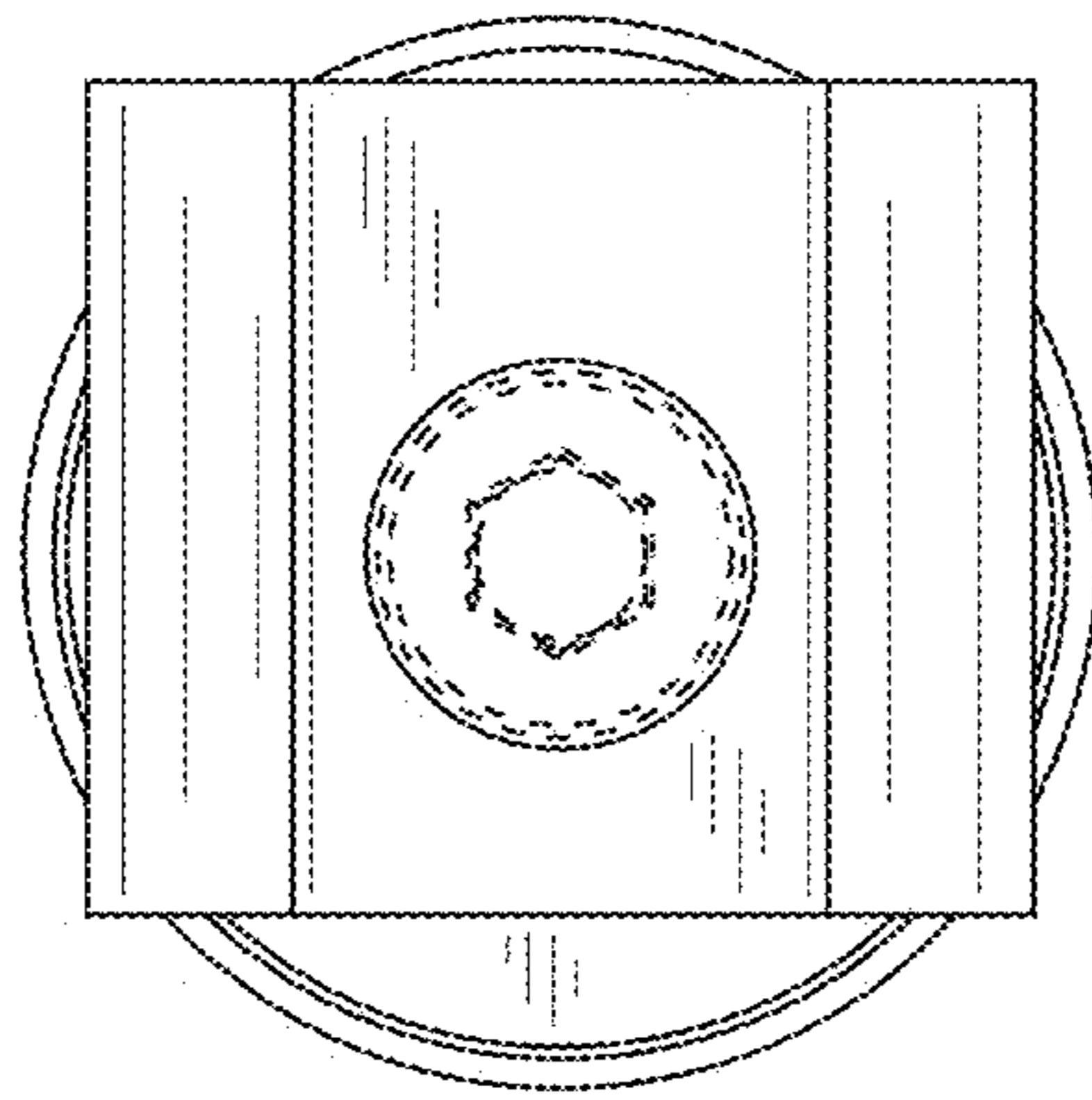


FIG. 6

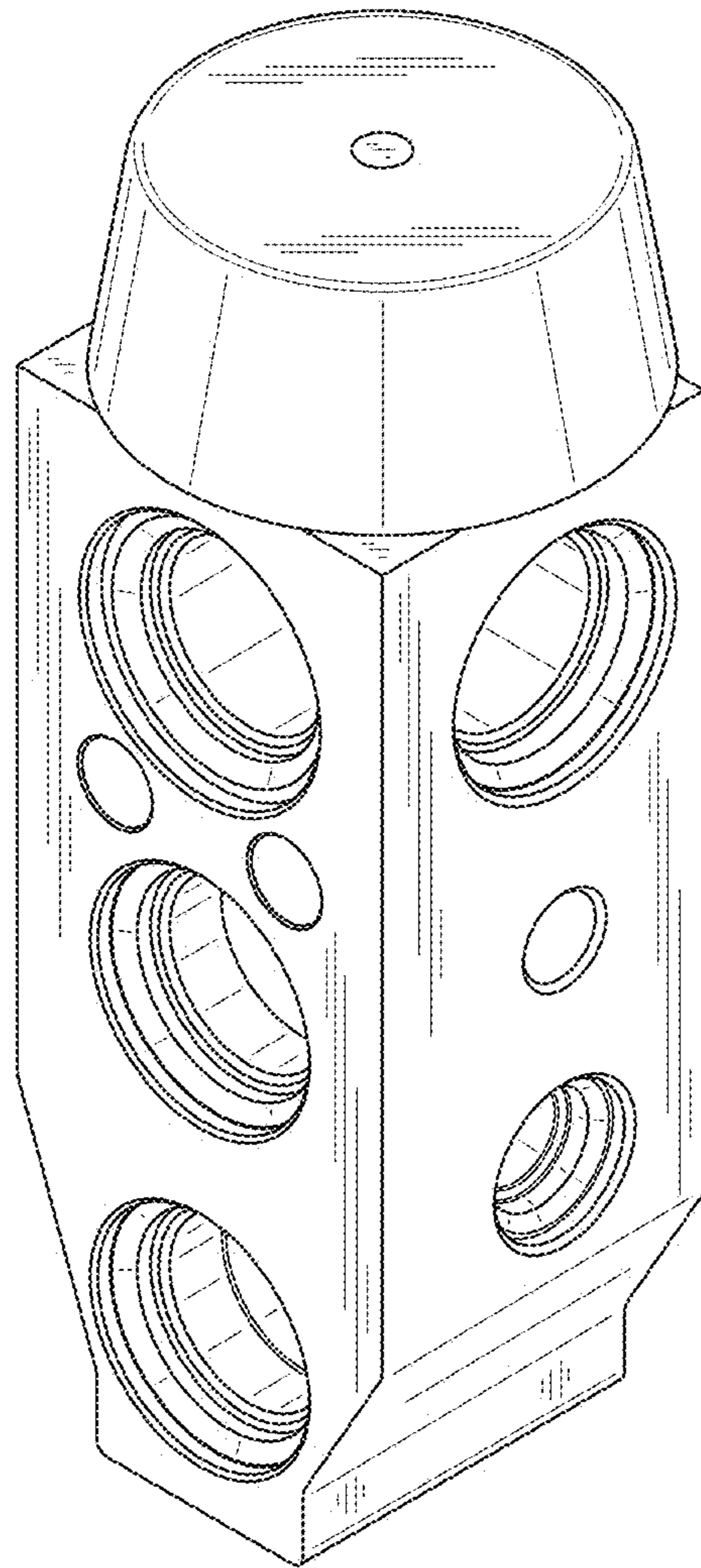


FIG.7