



US00D689593S

(12) **United States Design Patent**
Schmon et al.

(10) **Patent No.:** **US D689,593 S**

(45) **Date of Patent:** **** Sep. 10, 2013**

(54) **SPRAY GUN**

(75) Inventors: **Ewald Schmon**, Grafenberg (DE);
Helmut Ess, Remshalden (DE)

(73) Assignee: **SATA GmbH & Co. KG**, Kornwestheim
(DE)

(**) Term: **14 Years**

(21) Appl. No.: **29/411,972**

(22) Filed: **Jan. 27, 2012**

(51) **LOC (9) Cl.** **23-01**

(52) **U.S. Cl.**
USPC **D23/226**

(58) **Field of Classification Search**
USPC D23/213, 223, 226; 239/690, 690.1,
239/691, 290, 291, DIG. 14
See application file for complete search history.

(56) **References Cited**

U.S. PATENT DOCUMENTS

5,322,221 A * 6/1994 Anderson 239/291
D409,719 S * 5/1999 Kaneko D23/226
D448,451 S * 9/2001 Turnbull et al. D23/226

7,017,838 B2 * 3/2006 Schmon 239/526
D548,816 S * 8/2007 Schmon et al. D23/226
D552,715 S * 10/2007 Schmon et al. D23/226
D563,505 S * 3/2008 Schmon et al. D23/226
D641,067 S * 7/2011 Wang D23/226
D644,716 S * 9/2011 Gehrung D23/226
D672,012 S * 12/2012 Brose et al. D23/226

* cited by examiner

Primary Examiner — Robin V Webster

(74) *Attorney, Agent, or Firm* — Walter Ottesen, P.A.

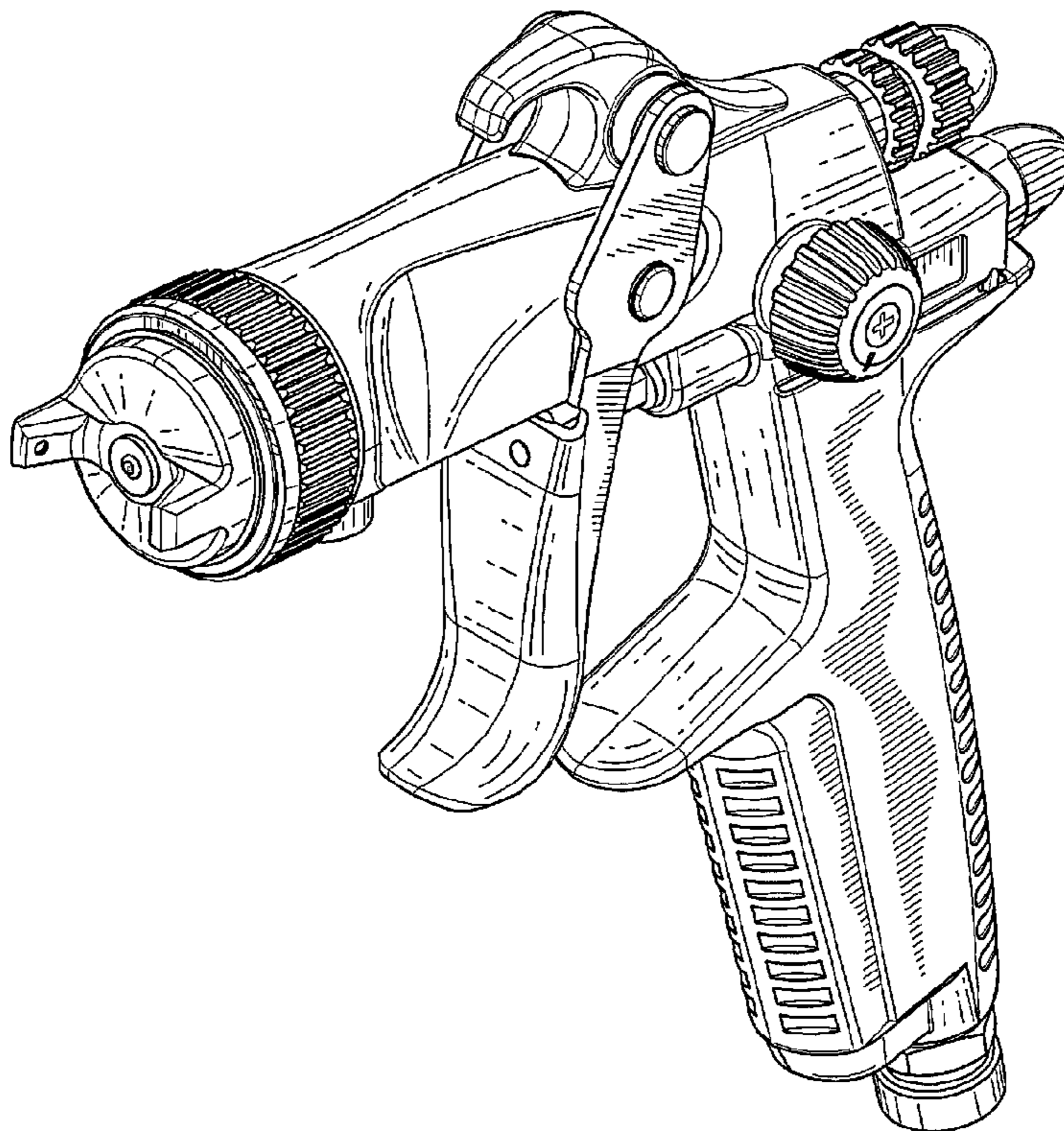
(57) **CLAIM**

The ornamental design for a spray gun, as shown and described.

DESCRIPTION

FIG. 1 is a perspective view of a spray gun of our new design; FIG. 2 is a right side elevation view of the spray gun of FIG. 1; FIG. 3 is a left side elevation view of the spray gun of FIG. 1; FIG. 4 is a front elevation view of the spray gun of FIG. 1; FIG. 5 is a rear elevation view of the spray gun of FIG. 1; FIG. 6 is a top plan view of the spray gun of FIG. 1; and, FIG. 7 is a bottom plan view of the spray gun of FIG. 1.

1 Claim, 5 Drawing Sheets



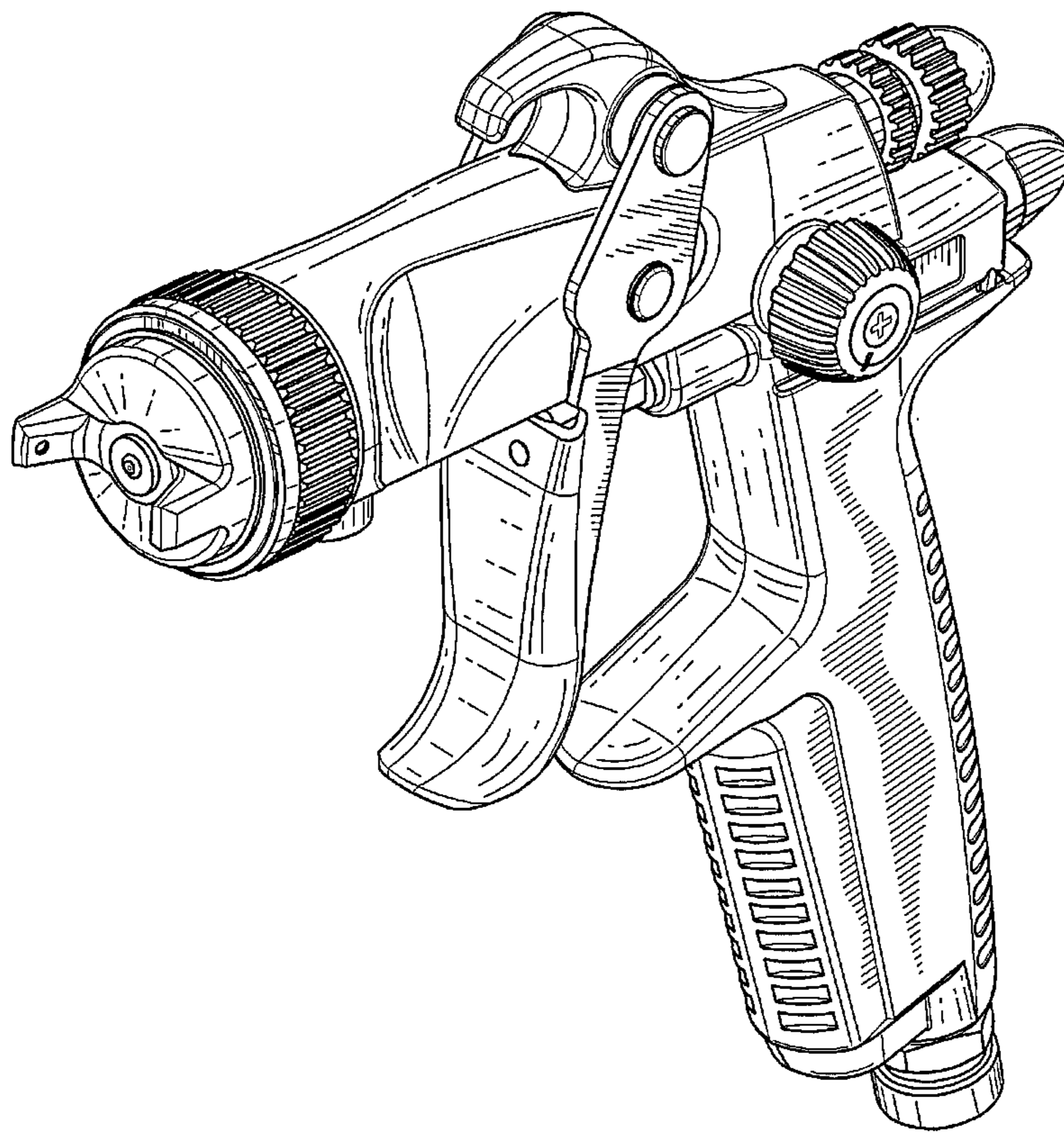


FIG. 1

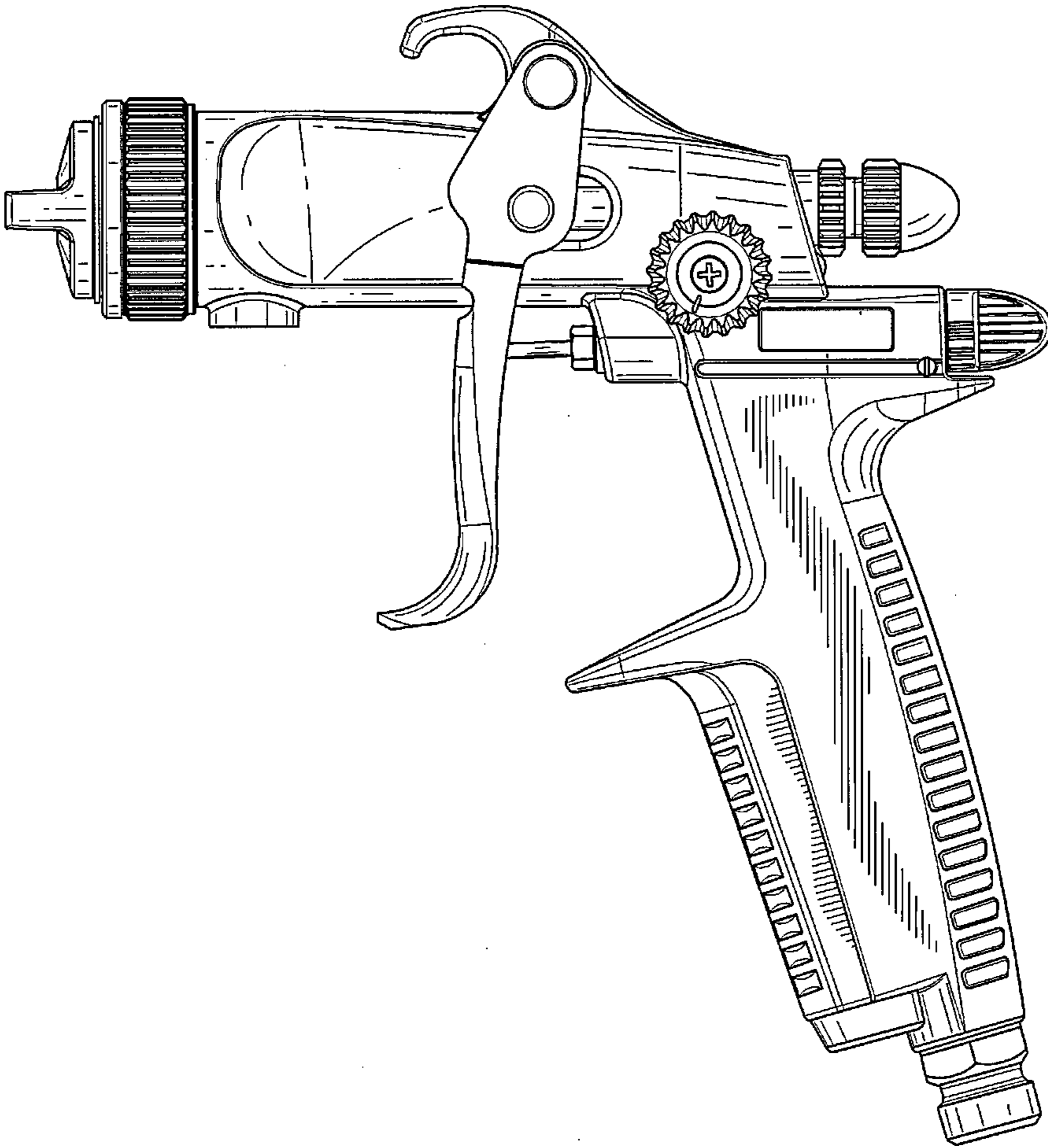


FIG. 2

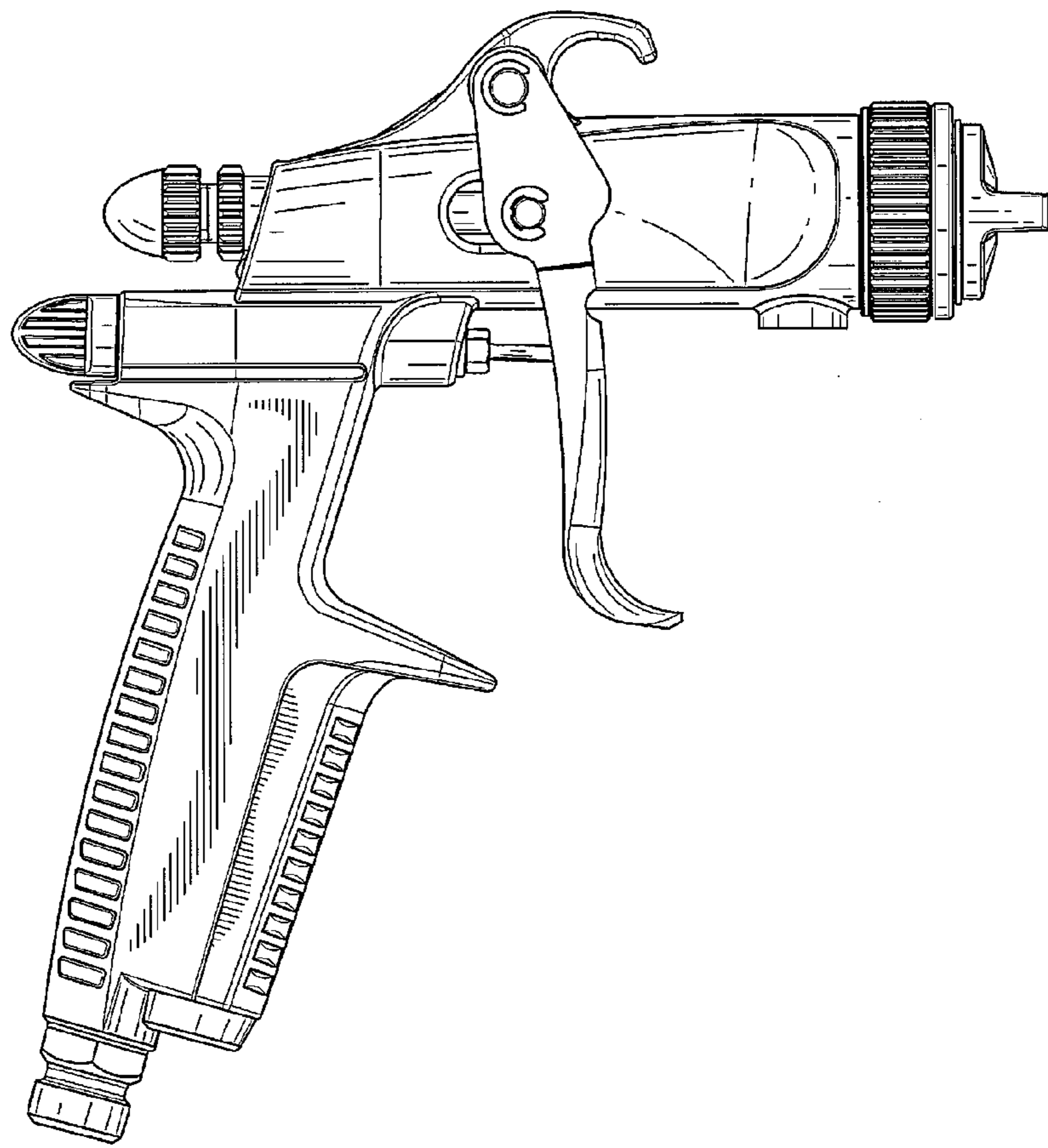


FIG. 3

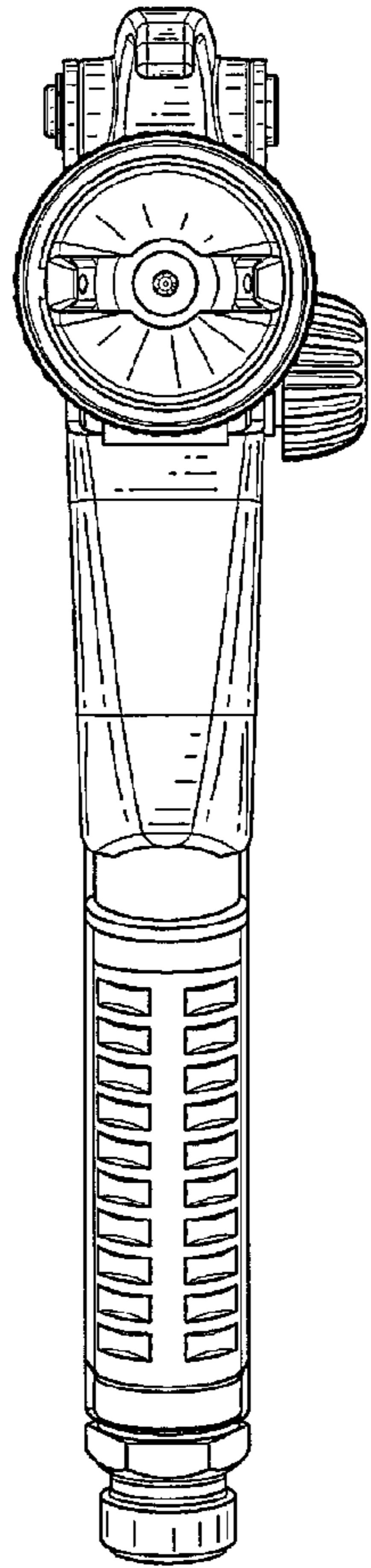


FIG. 4

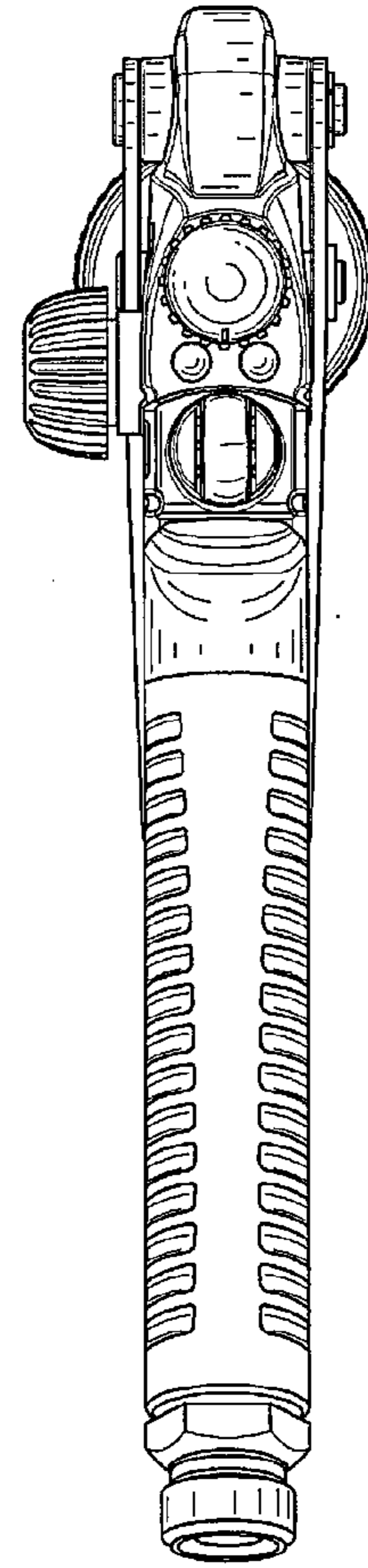


FIG. 5

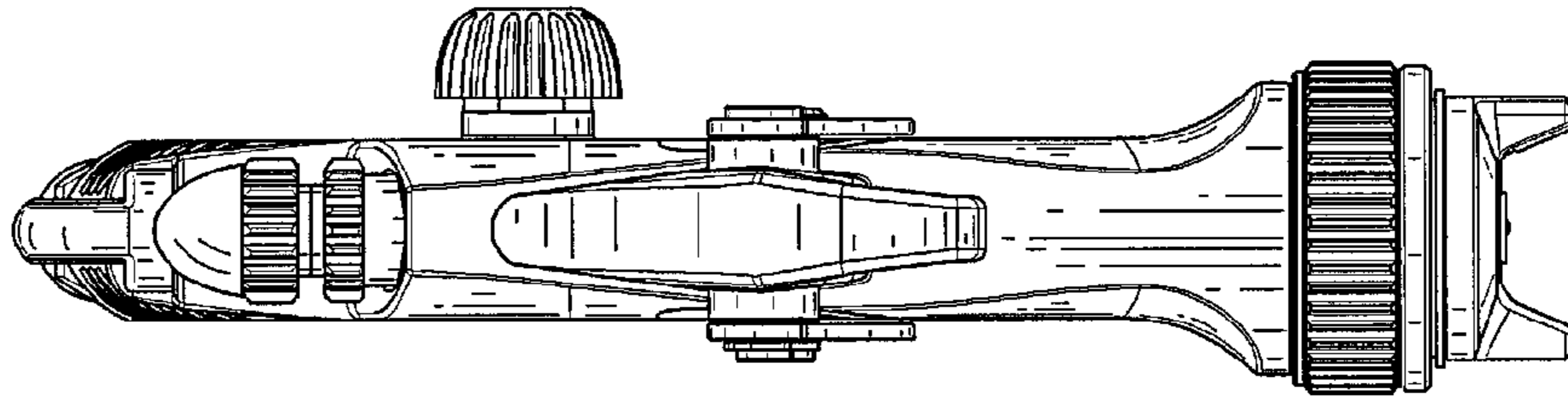


FIG. 6

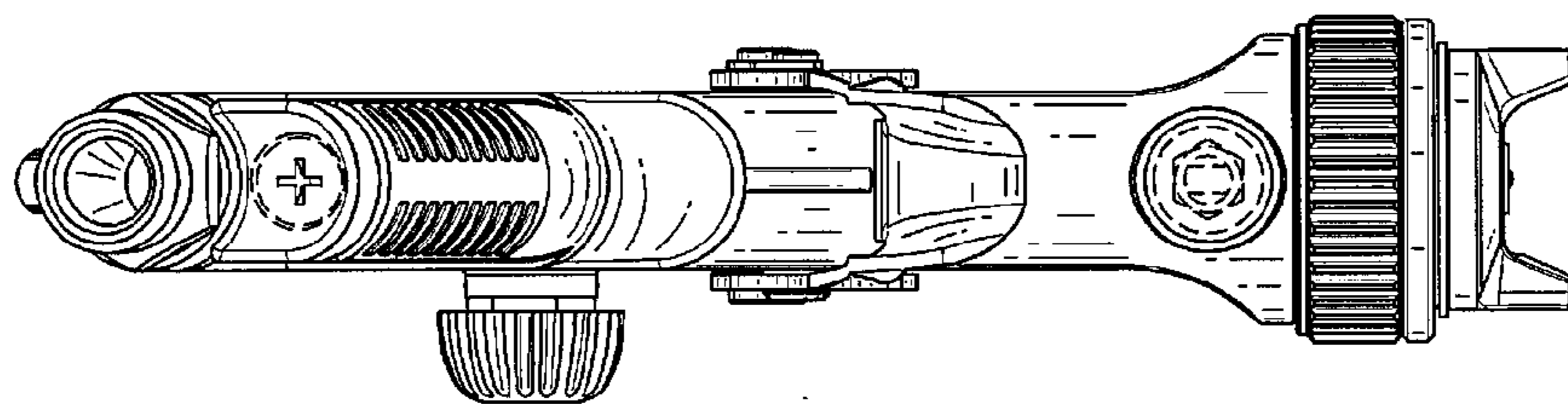


FIG. 7