



US00D689592S

(12) **United States Design Patent**
Ovans et al.

(10) **Patent No.:** **US D689,592 S**

(45) **Date of Patent:** **** Sep. 10, 2013**

(54) **OSCILLATING WAND SPRINKLER**

(75) Inventors: **Craig Ovans**, Chandler, AZ (US); **Yani Deros**, Phoenix, AZ (US)

(73) Assignee: **Partners In Innovation Limited, LLC**, Cincinnati, OH (US)

(**) Term: **14 Years**

(21) Appl. No.: **29/432,456**

(22) Filed: **Sep. 14, 2012**

(51) **LOC (9) Cl.** **23-01**

(52) **U.S. Cl.**
USPC **D23/214; D23/223**

(58) **Field of Classification Search**
USPC D23/213, 214, 215, 216, 223; 239/200,
239/242, 281, 280.5, 525, 532
See application file for complete search history.

(56) **References Cited**

U.S. PATENT DOCUMENTS

924,519	A	6/1909	Wooding
941,109	A	11/1909	Sutherland
1,007,657	A	10/1911	Freund
1,026,742	A	5/1912	French
1,031,176	A	7/1912	Gilpin
1,058,189	A	4/1913	Moboyale
1,078,817	A	11/1913	Austin
1,168,219	A	1/1916	Miller
1,566,232	A	12/1925	Schreiter
1,612,326	A	12/1926	Taylor
2,053,931	A	9/1936	Work
2,620,232	A	12/1952	King
2,770,826	A	11/1956	Curfman
3,115,305	A	12/1963	Rinkewich
3,332,624	A	7/1967	Rinkewich

(Continued)

FOREIGN PATENT DOCUMENTS

EP 0826427 A2 3/1998
WO 2011075660 A1 6/2011

OTHER PUBLICATIONS

Eighteen-page International Search Report and Written Opinion mailed Feb. 14, 2011 for PCT/US2010/061063.

Primary Examiner — Robin V Webster

(74) *Attorney, Agent, or Firm* — Wood, Herron & Evans, LLP

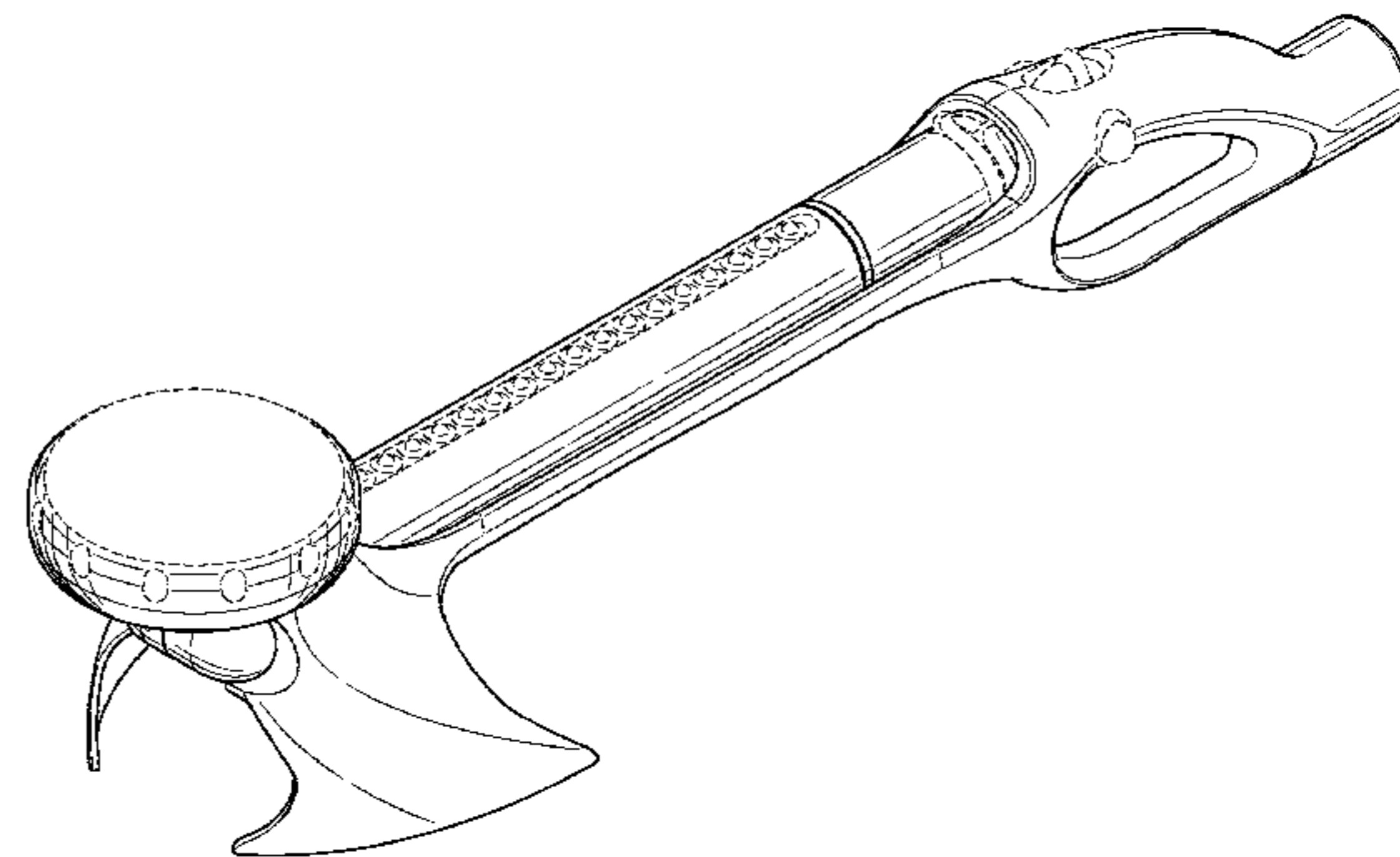
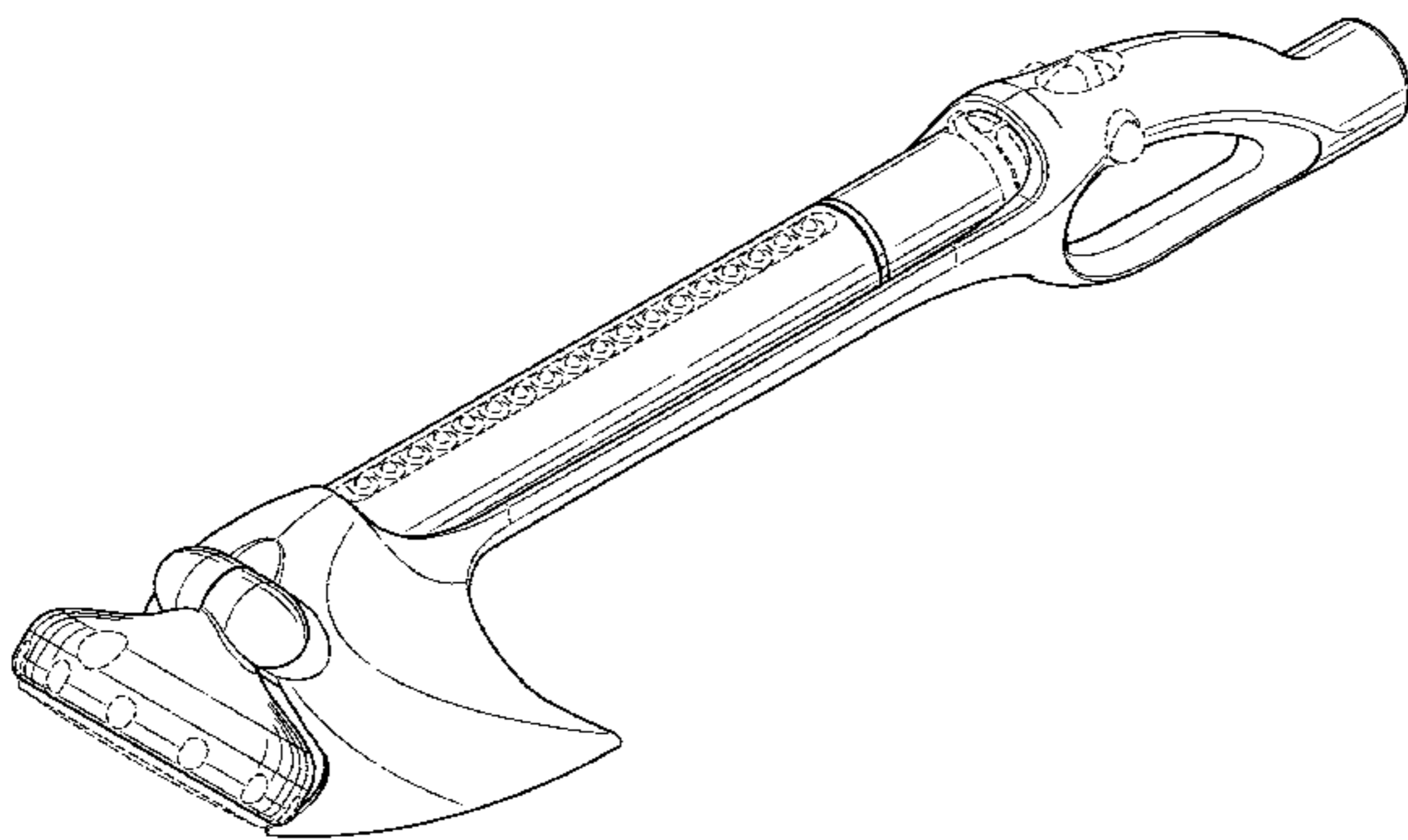
(57) **CLAIM**

The ornamental design for an oscillating wand sprinkler, as shown and described.

DESCRIPTION

FIG. 1 is an isometric view of an oscillating wand sprinkler showing our new design; FIG. 2 is a front view thereof; FIG. 3 is a rear view thereof; FIG. 4 is a left view thereof; FIG. 5 is a right view thereof; FIG. 6 is a top view thereof; FIG. 7 is a bottom view thereof; FIG. 8 is an isometric view thereof, shown in an alternate position; FIG. 9 is a front view of the embodiment of FIG. 8; FIG. 10 is a rear view of the embodiment of FIG. 8; FIG. 11 is a left view of the embodiment of FIG. 8; FIG. 12 is a right view of the embodiment of FIG. 8; FIG. 13 is a top view of the embodiment of FIG. 8; and, FIG. 14 is a bottom view of the embodiment of FIG. 8. The structure shown in dash lines is for illustrative purposes only and forms no part of the claimed design.

1 Claim, 8 Drawing Sheets



(56)

References Cited

U.S. PATENT DOCUMENTS

3,354,730 A 11/1967 Thompson
 3,630,450 A 12/1971 Stephany et al.
 4,130,135 A 12/1978 Moore
 4,347,981 A 9/1982 Hayes
 4,421,276 A 12/1983 Rodgers
 4,708,291 A 11/1987 Grundy
 4,903,897 A 2/1990 Hayes
 5,160,093 A 11/1992 Battaglia
 5,174,501 A 12/1992 Hadar
 5,305,956 A 4/1994 Wang
 D355,476 S * 2/1995 Schon D23/214
 5,947,388 A 9/1999 Woodruff
 D421,639 S * 3/2000 Clivio D23/214
 6,123,272 A 9/2000 Havican et al.

6,264,121 B1 * 7/2001 McClary 239/525
 6,398,185 B1 6/2002 Wang
 6,554,209 B2 4/2003 Djordjevic
 6,619,570 B1 9/2003 Ericksen et al.
 6,663,022 B1 12/2003 Baker
 6,712,294 B1 3/2004 Wang
 7,014,128 B2 * 3/2006 Leung 239/461
 7,028,984 B2 4/2006 Wang
 7,140,561 B2 11/2006 Heren et al.
 D536,062 S 1/2007 Hester
 7,252,246 B2 8/2007 Heren et al.
 2004/0222320 A1 11/2004 Wu
 2006/0214023 A1 9/2006 Collins et al.
 2012/0126027 A1 5/2012 Helmsderfer et al.
 2012/0223153 A1 9/2012 Helmsderfer et al.
 2013/0037624 A1 2/2013 Helmsderfer et al.

* cited by examiner

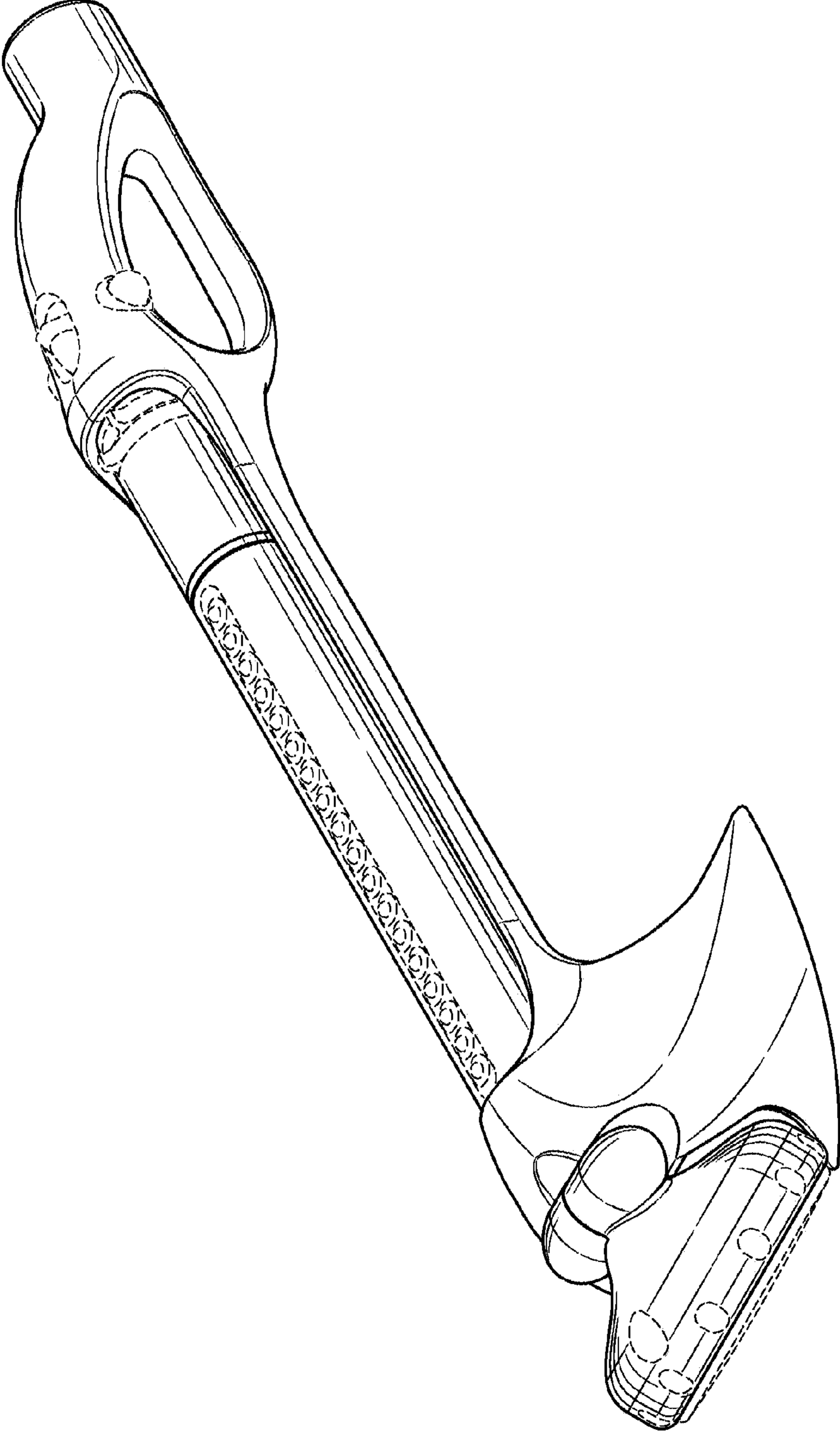


FIG. 1

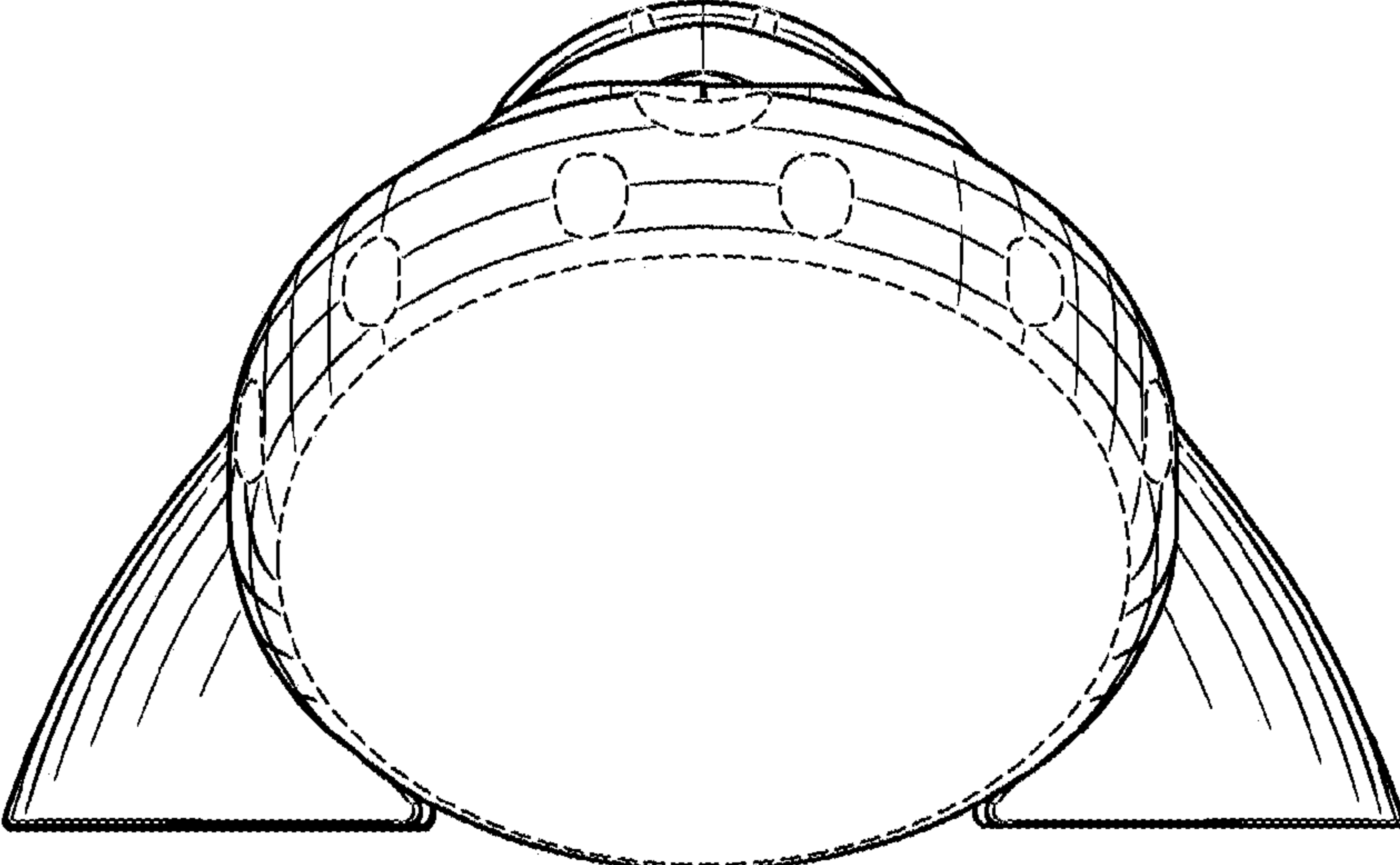


FIG. 2

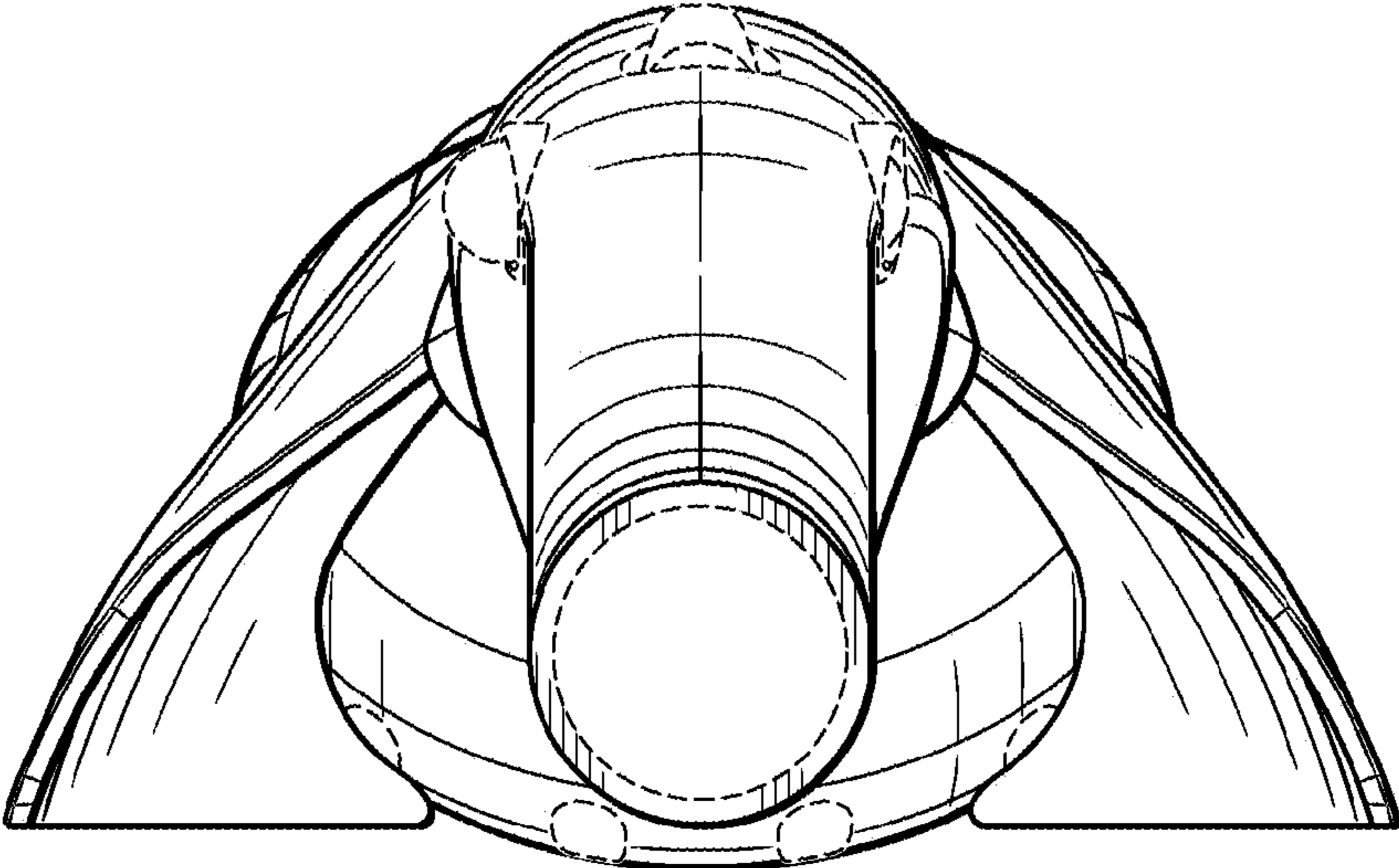


FIG. 3

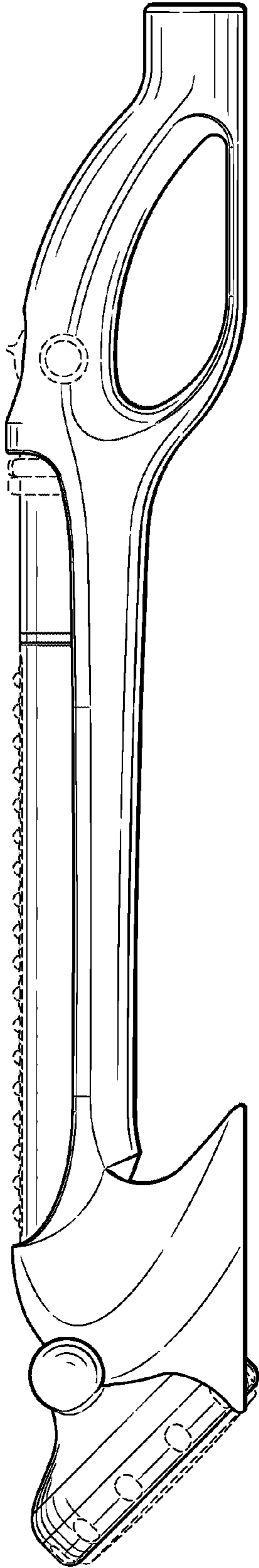


FIG. 4

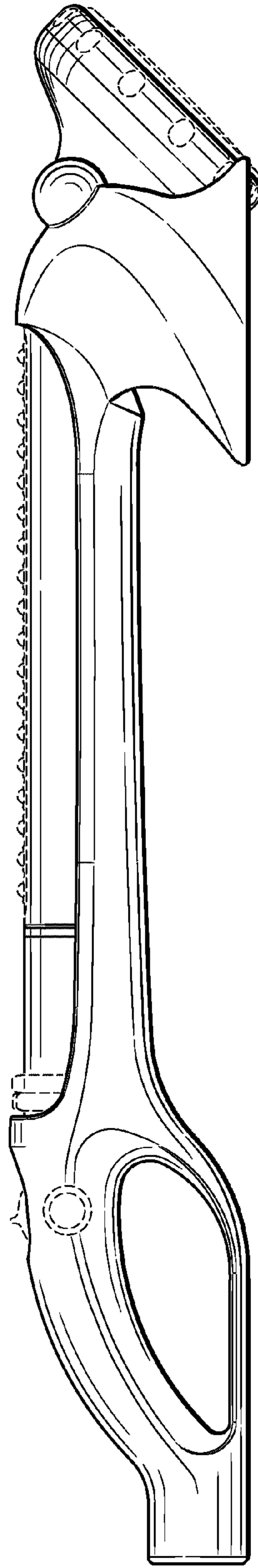


FIG. 5

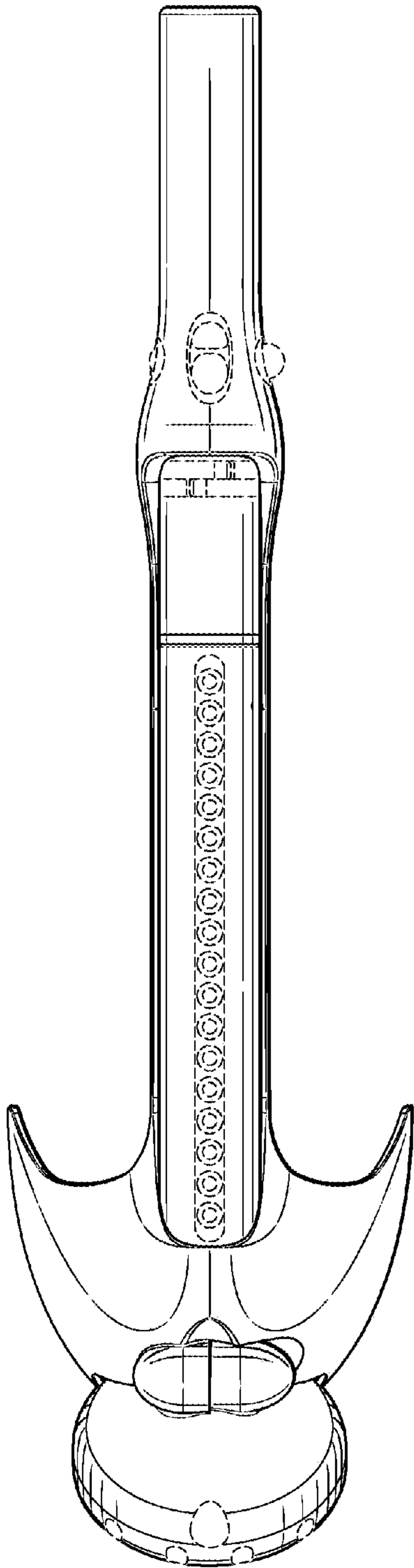


FIG. 6

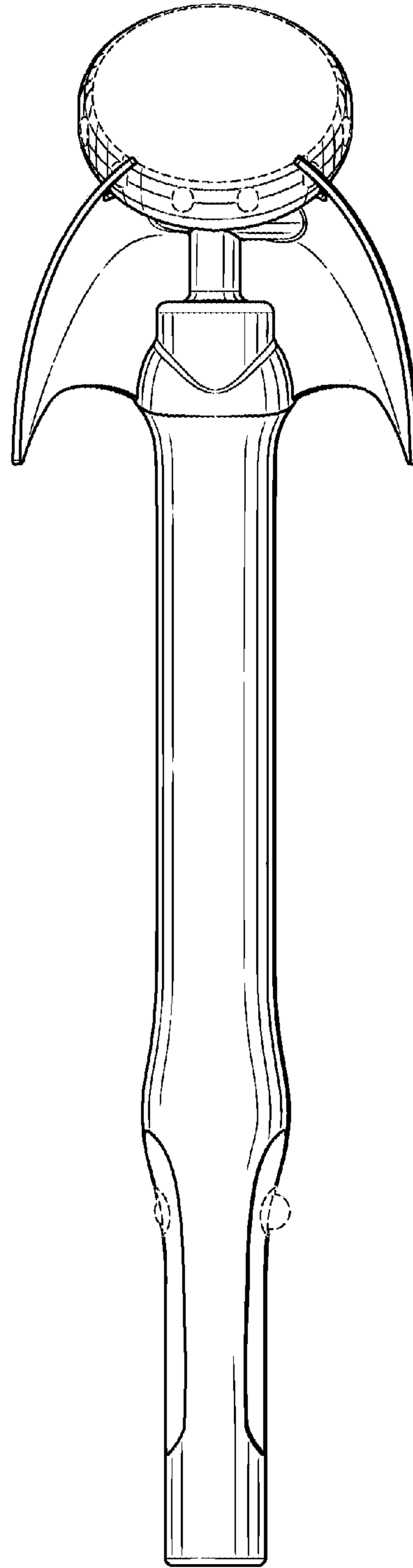


FIG. 7

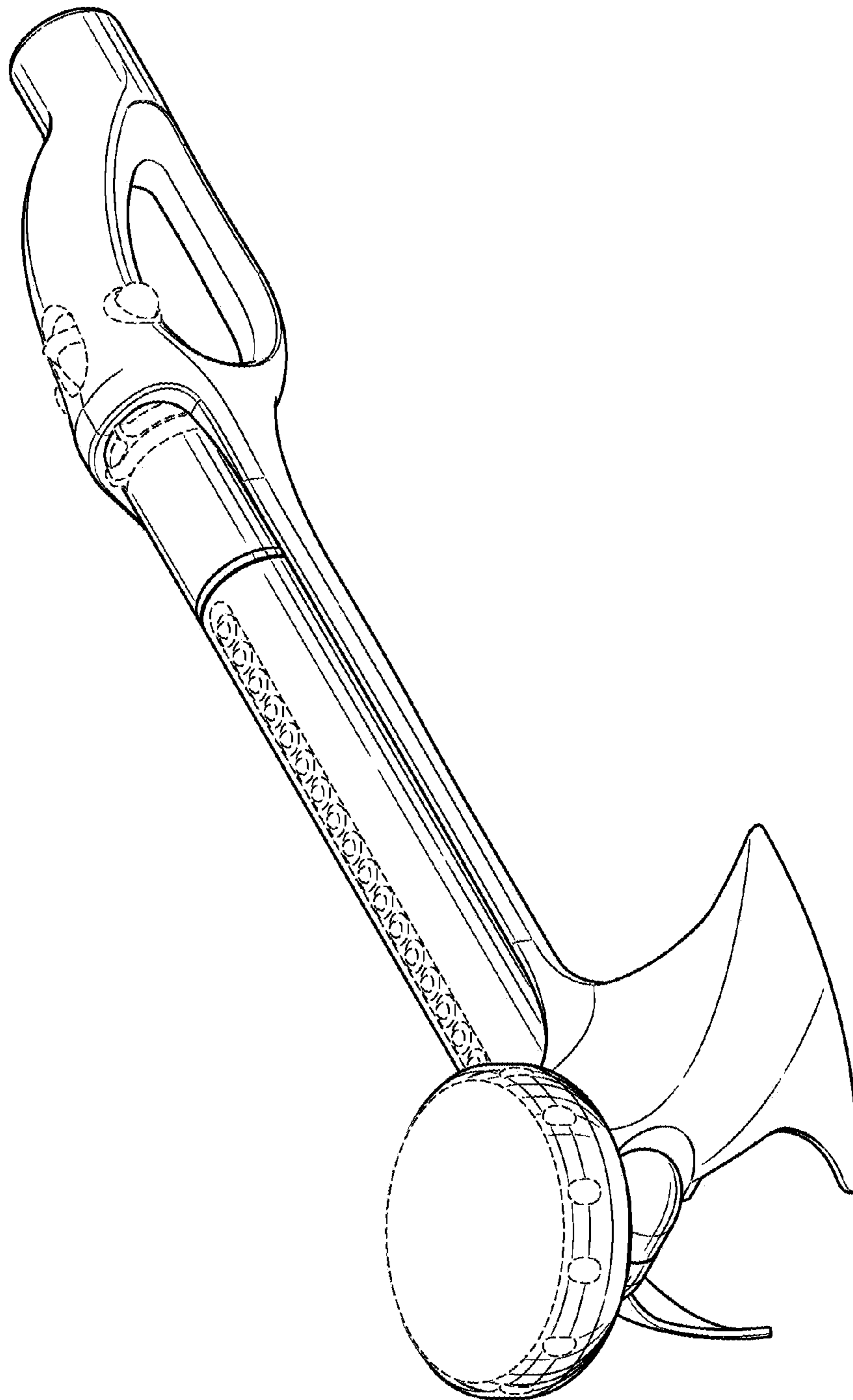


FIG. 8

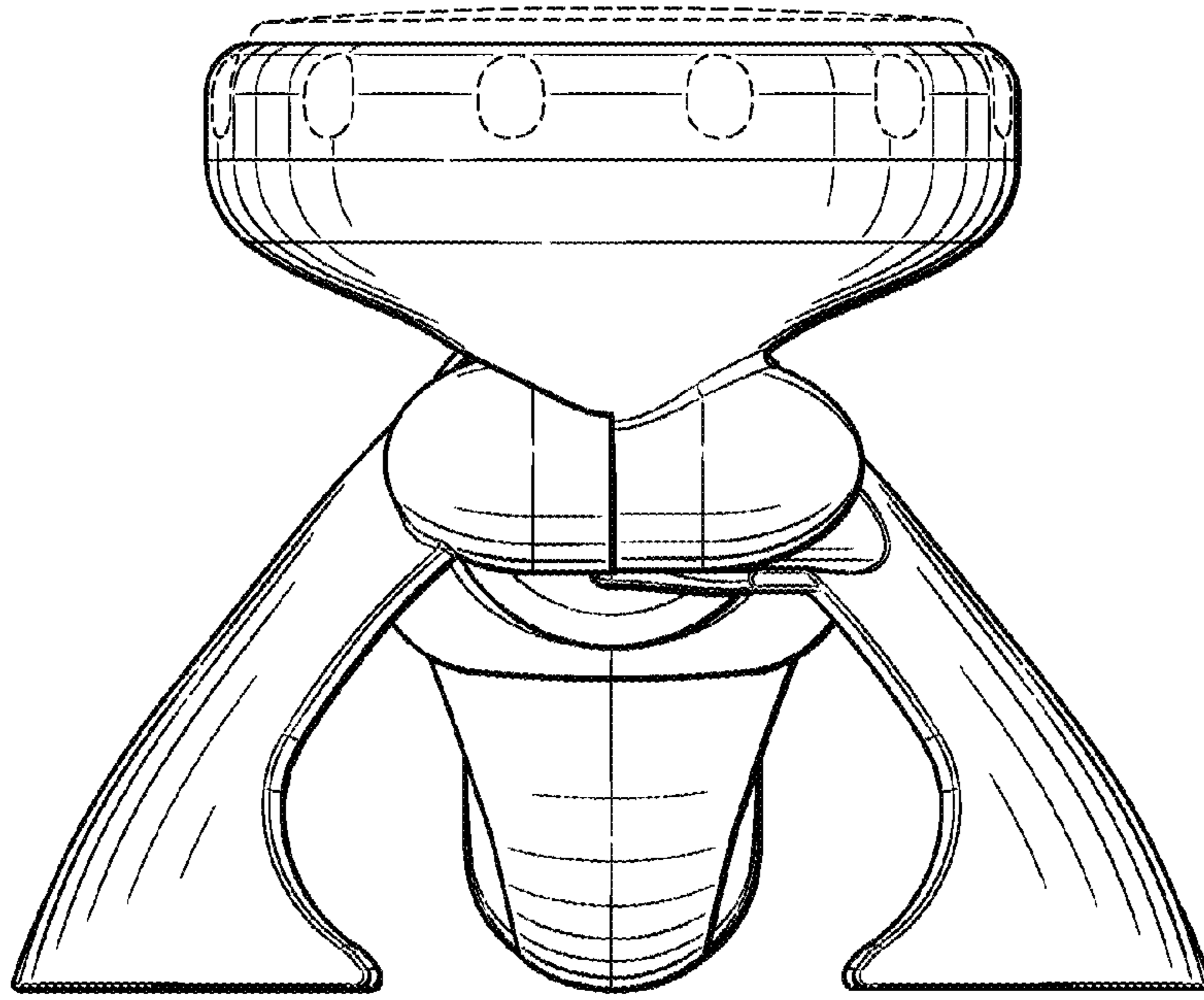


FIG. 9

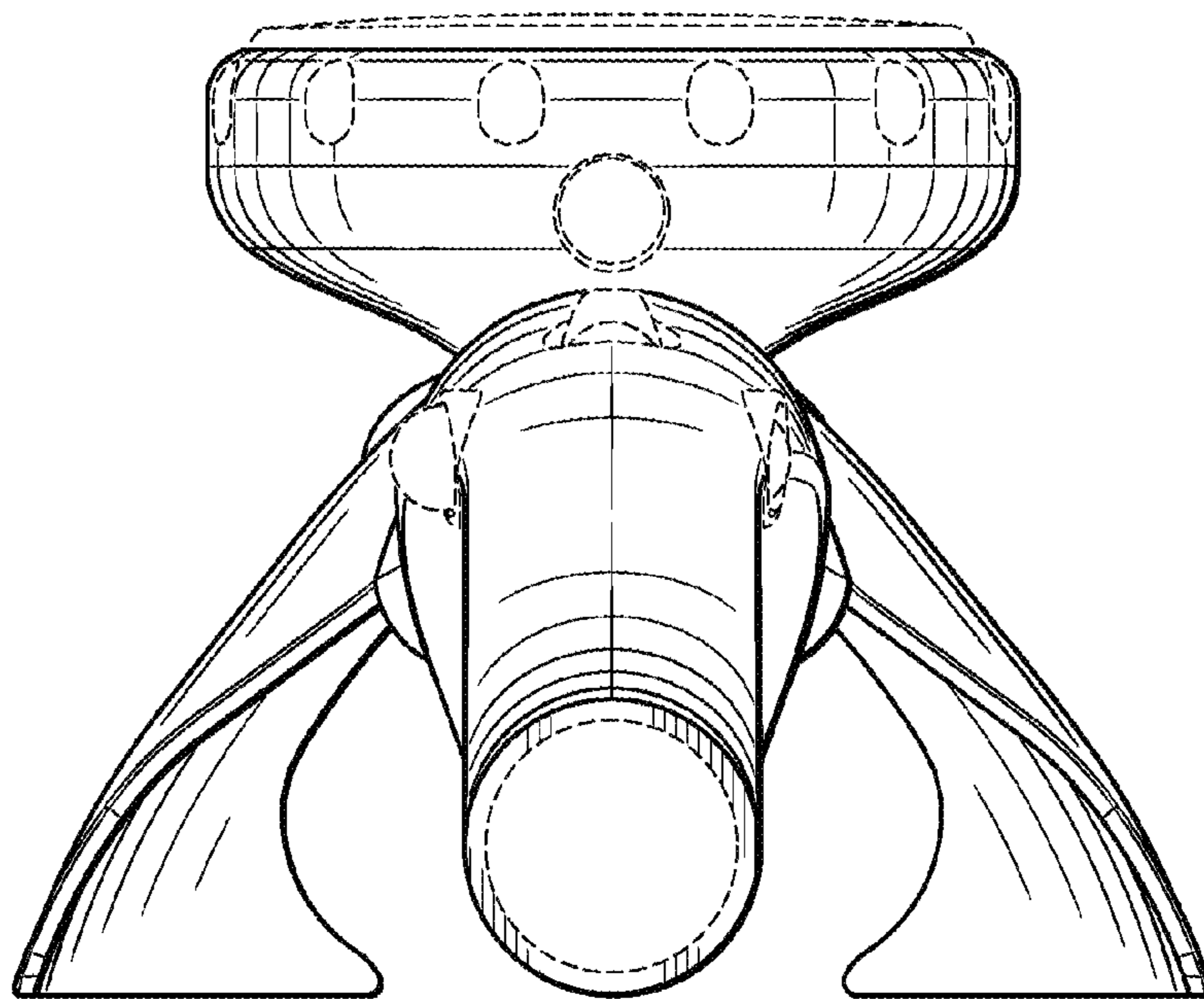


FIG. 10

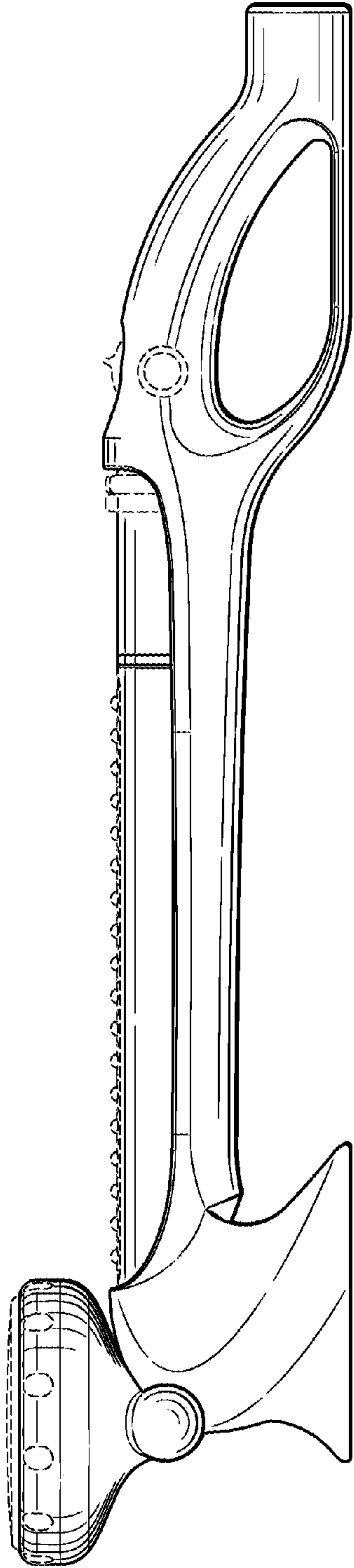


FIG. 11

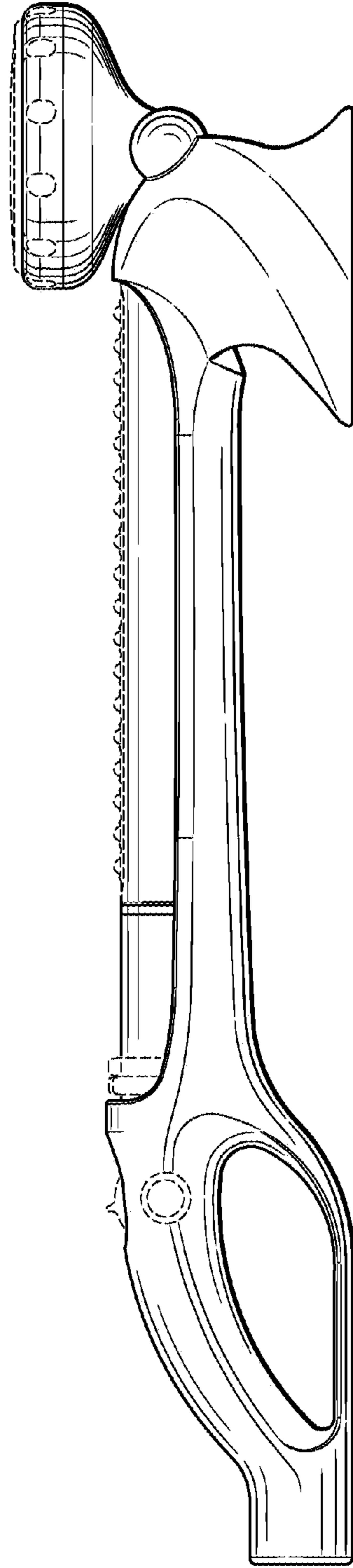


FIG. 12

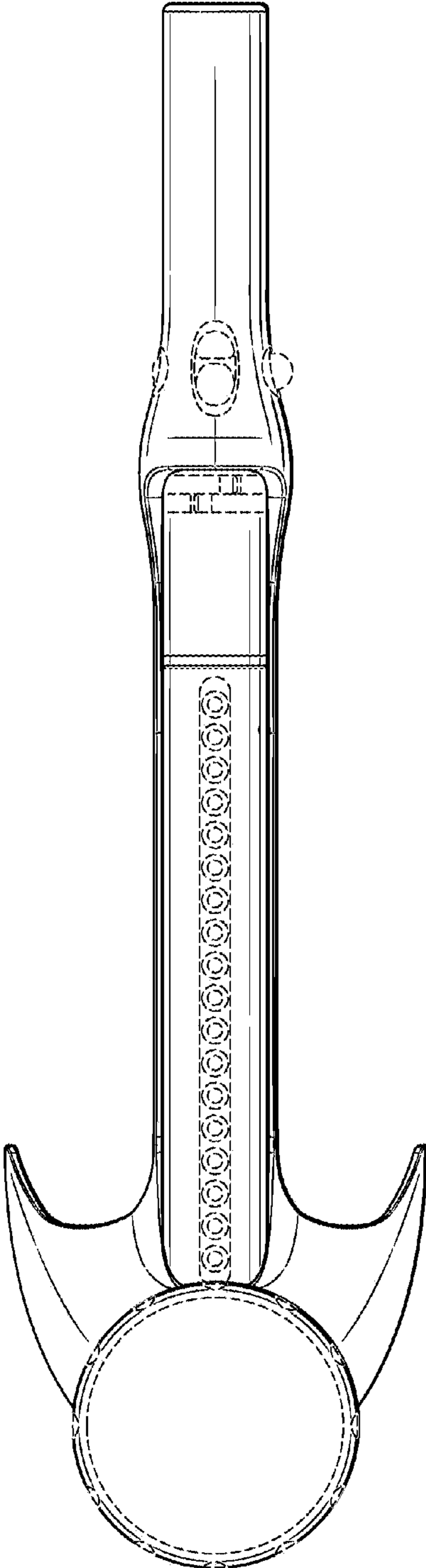


FIG. 13

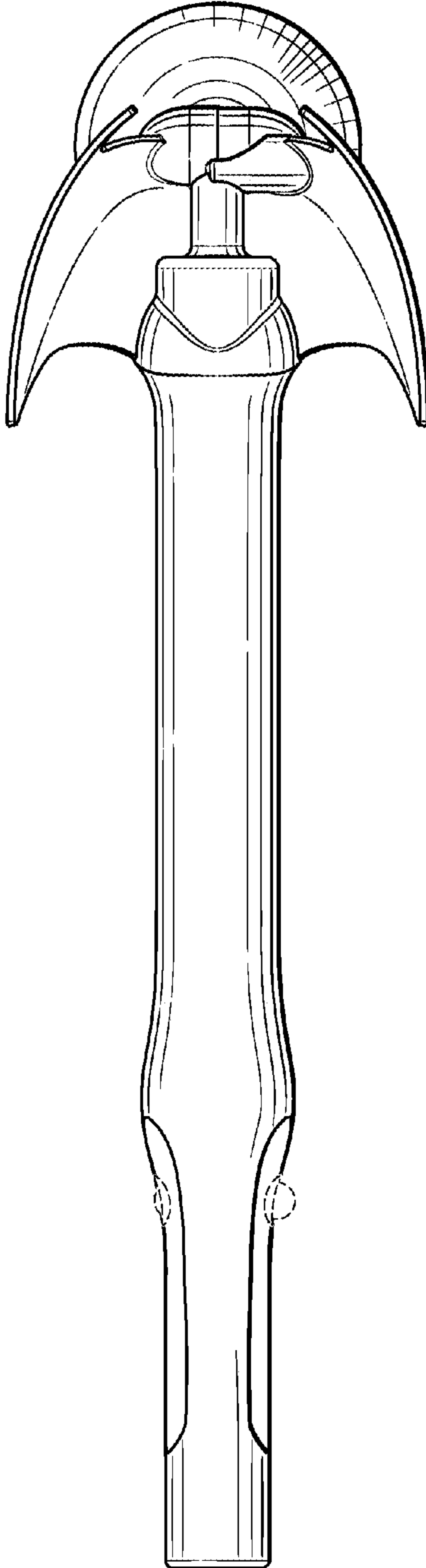


FIG. 14