



US00D689591S

(12) **United States Design Patent**
Ovans et al.

(10) **Patent No.:** **US D689,591 S**

(45) **Date of Patent:** **** Sep. 10, 2013**

(54) **PISTOL SPRINKLER WITH FOLD-OUT LEGS**

(75) Inventors: **Craig Ovans**, Chandler, AZ (US); **Yani Deros**, Phoenix, AZ (US)

(73) Assignee: **Partners In Innovation Limited, LLC**, Cincinnati, OH (US)

(**) Term: **14 Years**

(21) Appl. No.: **29/432,457**

(22) Filed: **Sep. 14, 2012**

(51) **LOC (9) Cl.** **23-01**

(52) **U.S. Cl.**
USPC **D23/213; D23/214**

(58) **Field of Classification Search**
USPC D23/213, 214, 215, 216; 239/200,
239/242, 281, 280.5, 525, 532
See application file for complete search history.

(56) **References Cited**

U.S. PATENT DOCUMENTS

D426,867 S * 6/2000 Wang D23/214
6,390,391 B1 * 5/2002 Ulin 239/548
7,708,210 B2 * 5/2010 Griffen 239/281

* cited by examiner

Primary Examiner — Robin V Webster

(74) *Attorney, Agent, or Firm* — Wood, Herron & Evans, LLP

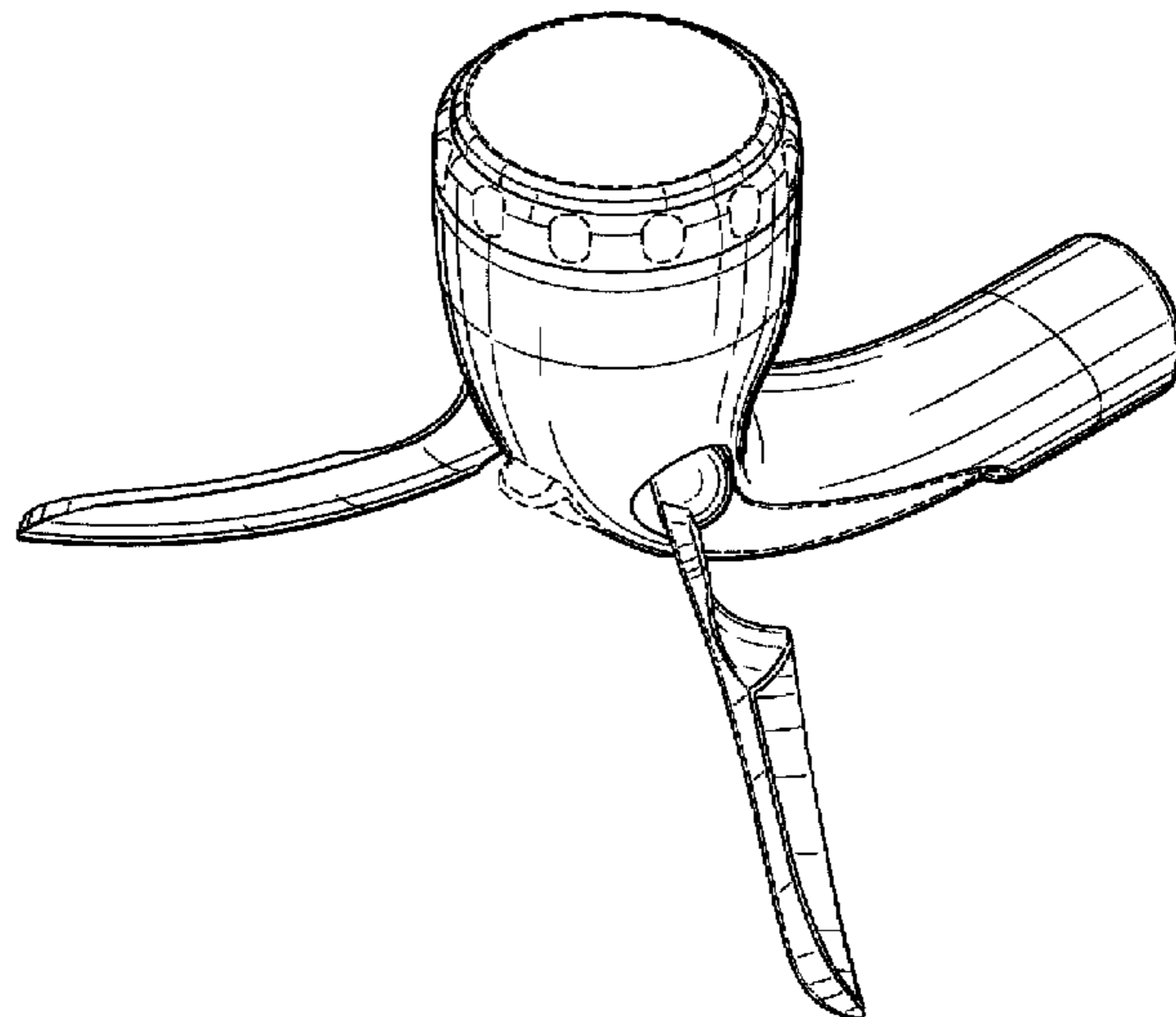
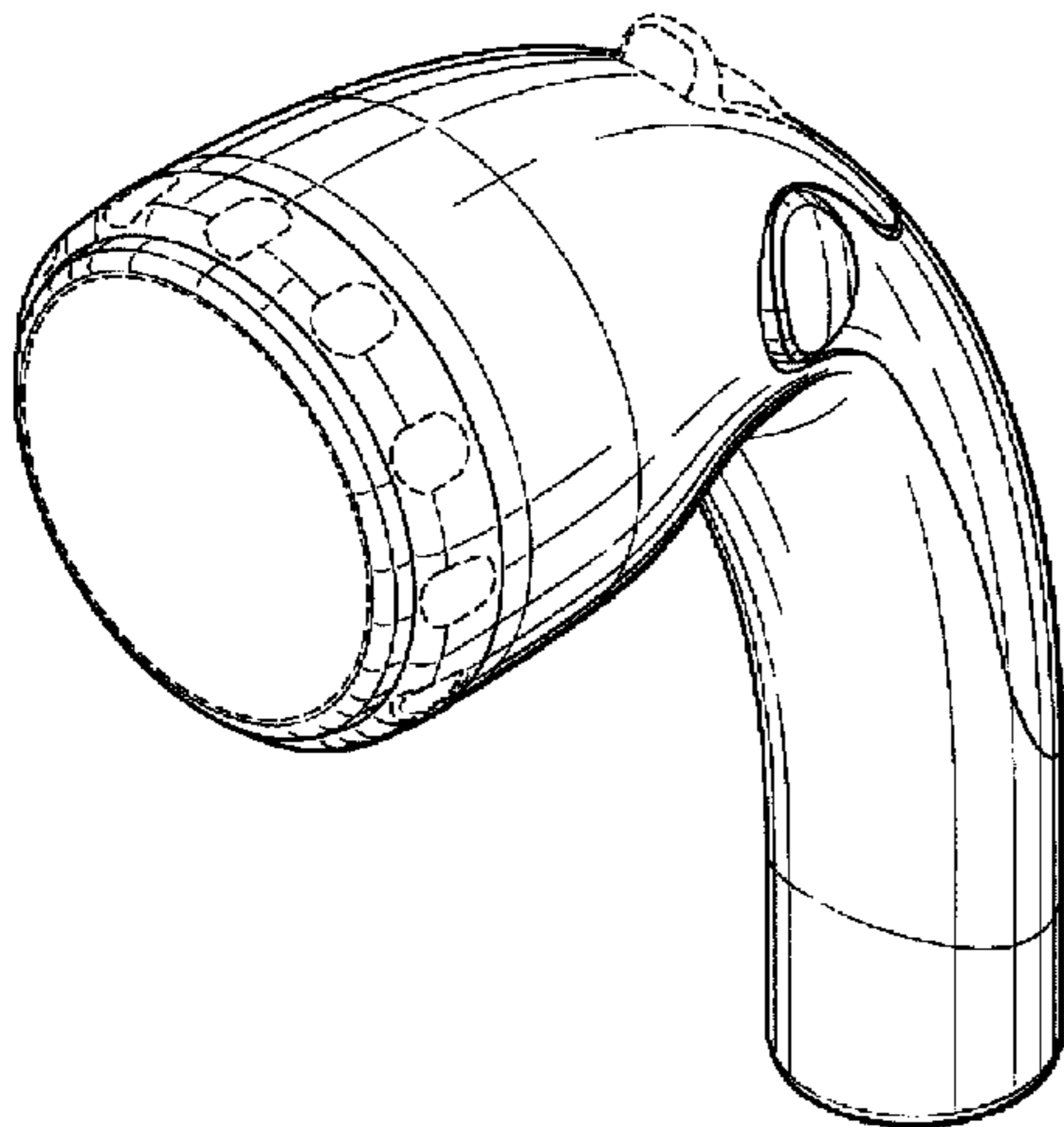
(57) **CLAIM**

The ornamental design for a pistol sprinkler with fold-out legs, as shown and described.

DESCRIPTION

FIG. 1 is an isometric view of a pistol sprinkler with fold-out legs showing our new design; FIG. 2 is a left view thereof; FIG. 3 is a front view thereof; FIG. 4 is a rear view thereof; FIG. 5 is a top view thereof; FIG. 6 is a bottom view thereof; FIG. 7 is an isometric view thereof, shown in an alternate position; FIG. 8 is a left view of the embodiment of FIG. 7; FIG. 9 is a front view of the embodiment of FIG. 7; FIG. 10 is a rear view of the embodiment of FIG. 7; FIG. 11 is a top view of the embodiment of FIG. 7; and, FIG. 12 is a bottom view of the embodiment of FIG. 7. The broken line showing is included for the purpose of illustrating and forms no part of the claimed design.

1 Claim, 10 Drawing Sheets



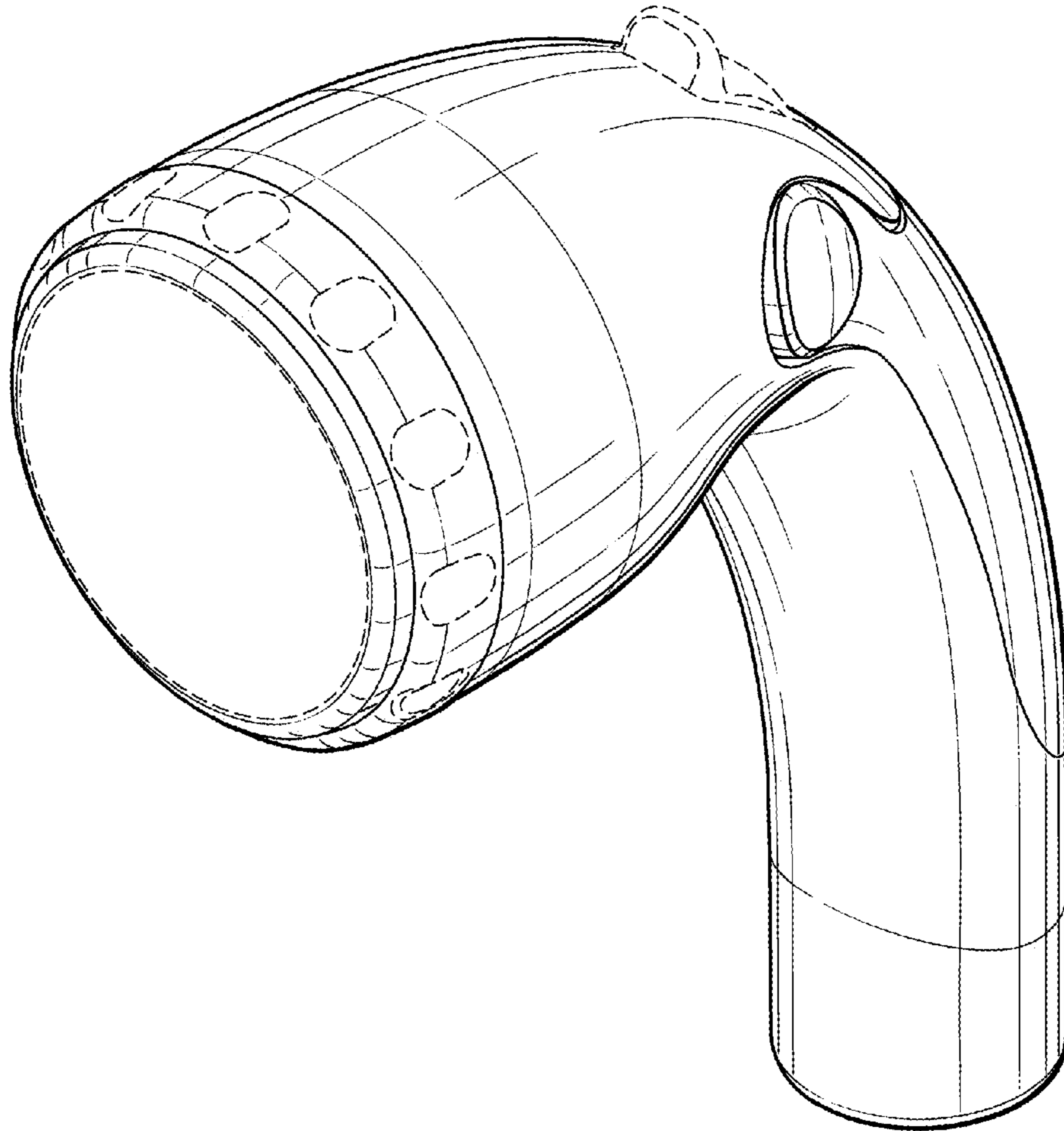


FIG. 1

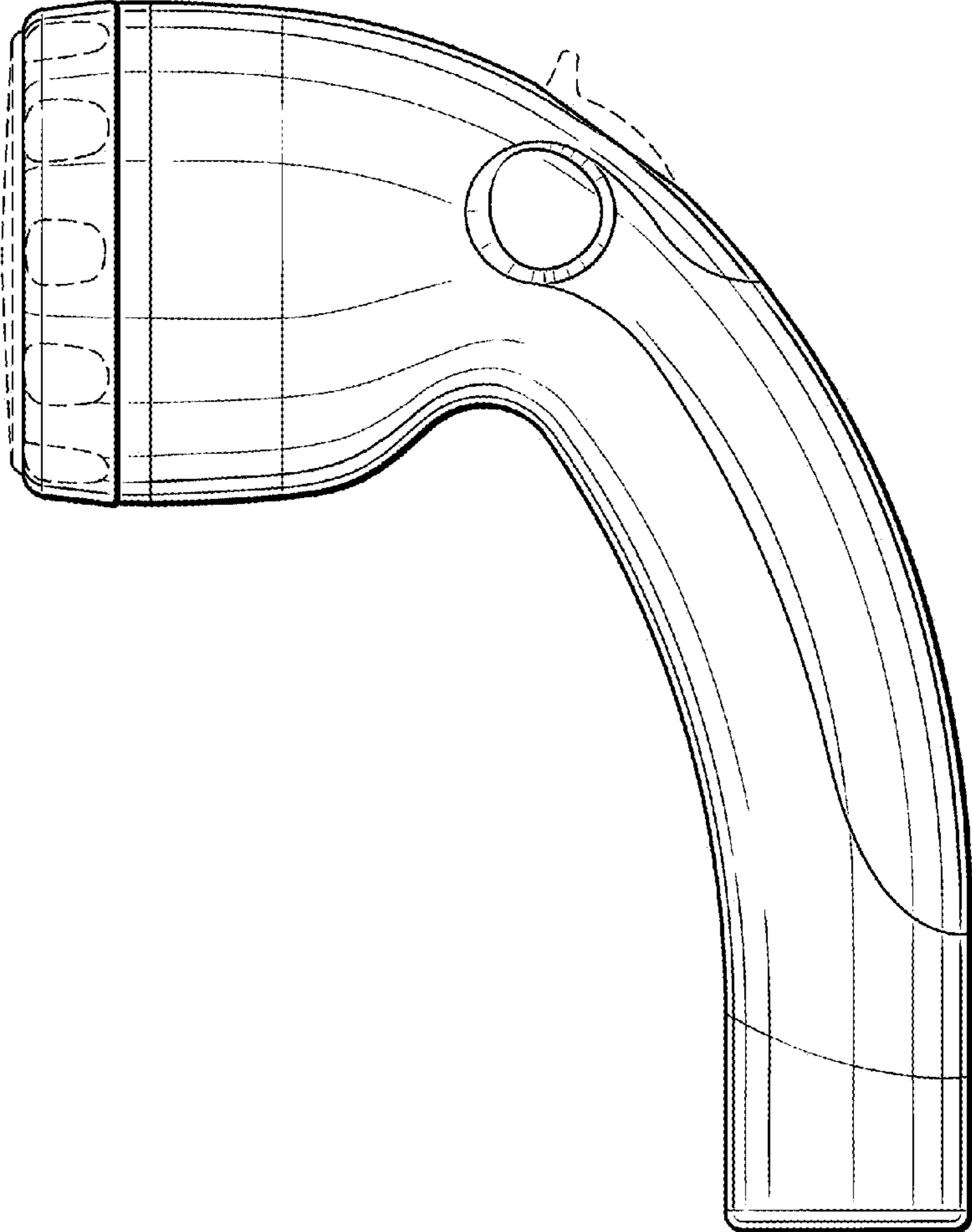


FIG. 2

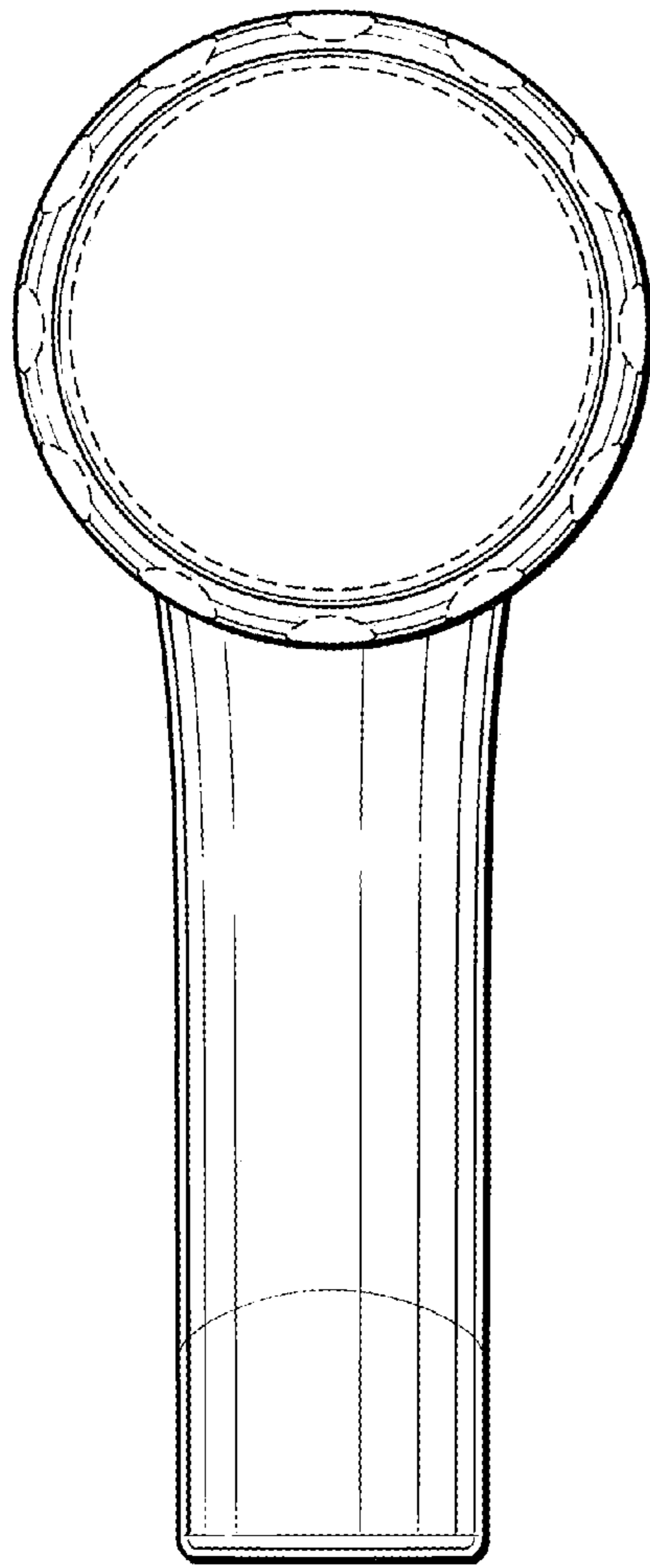


FIG. 3

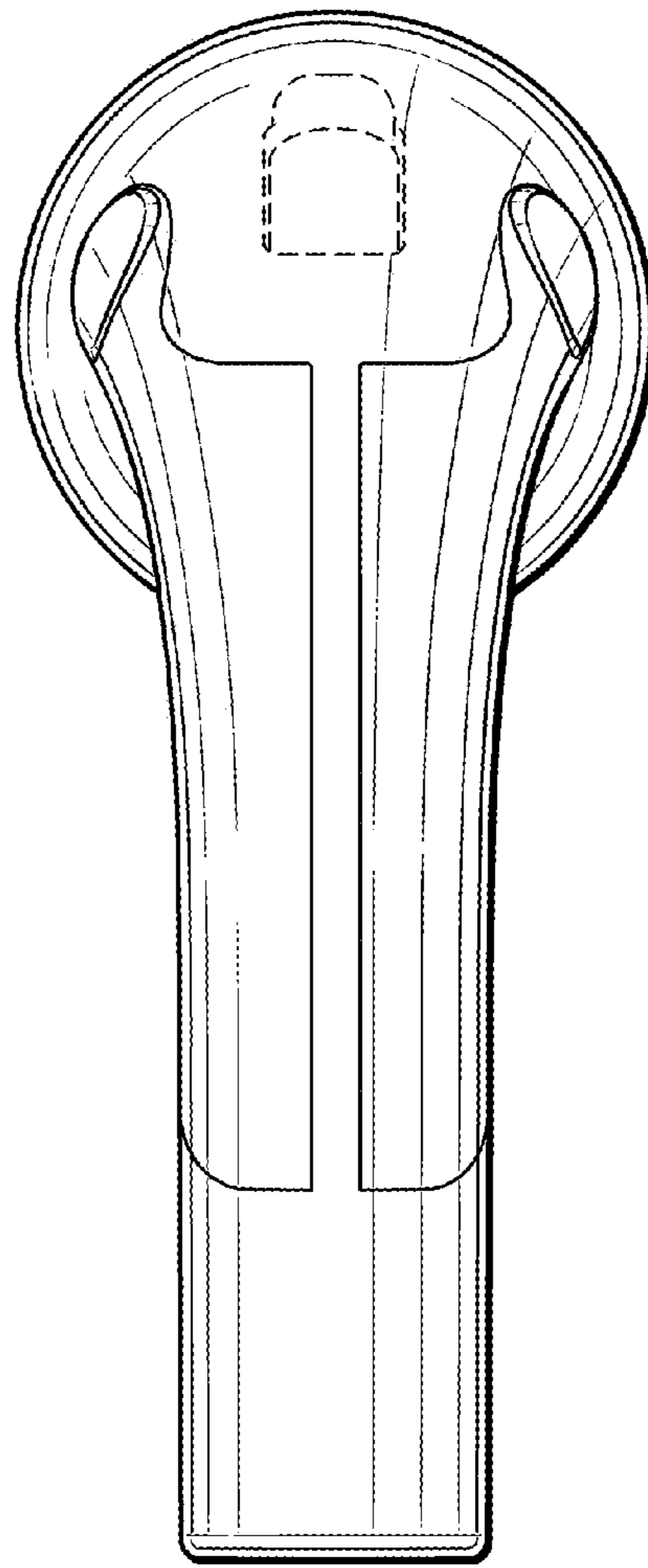


FIG. 4

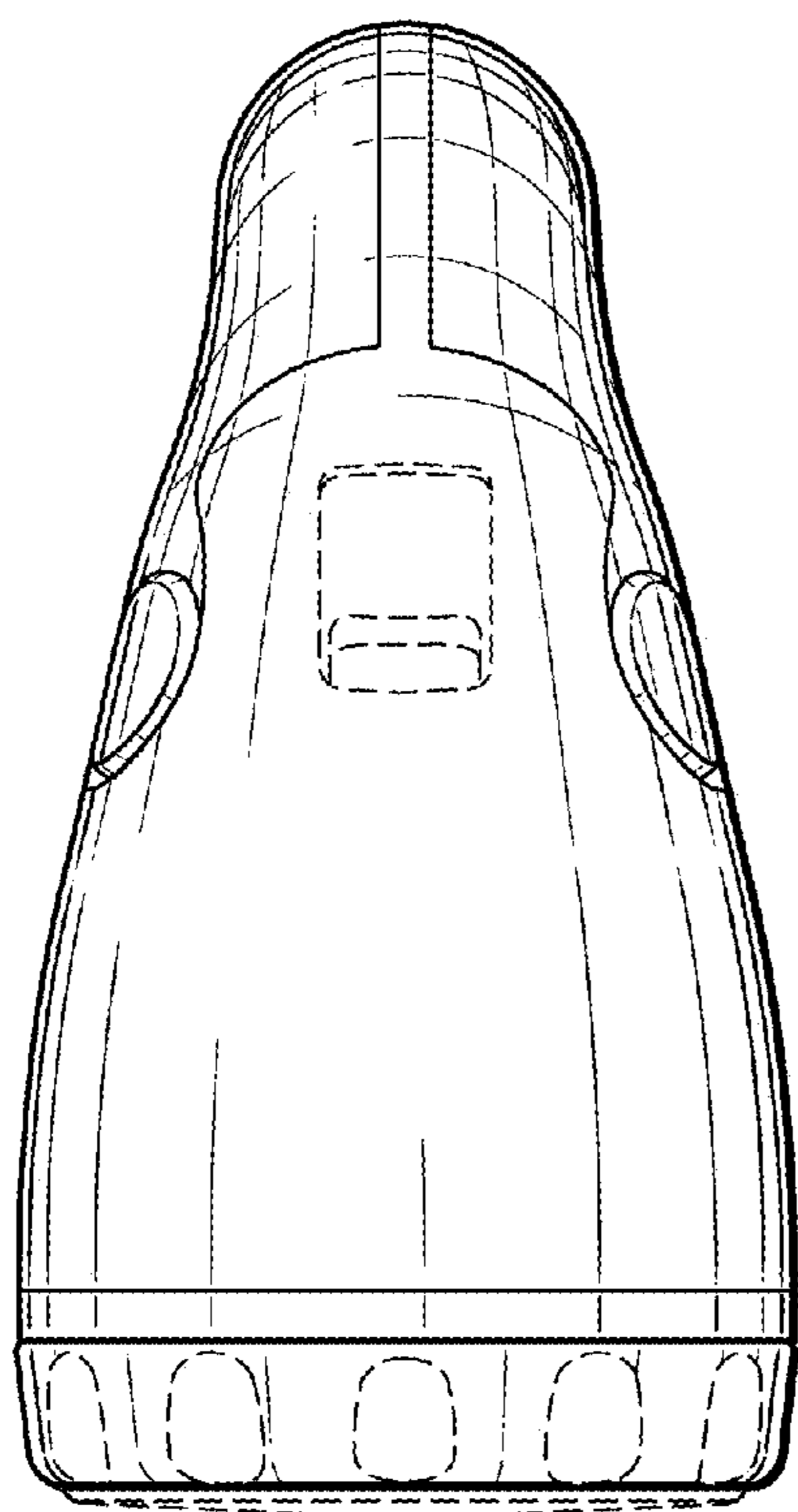


FIG. 5

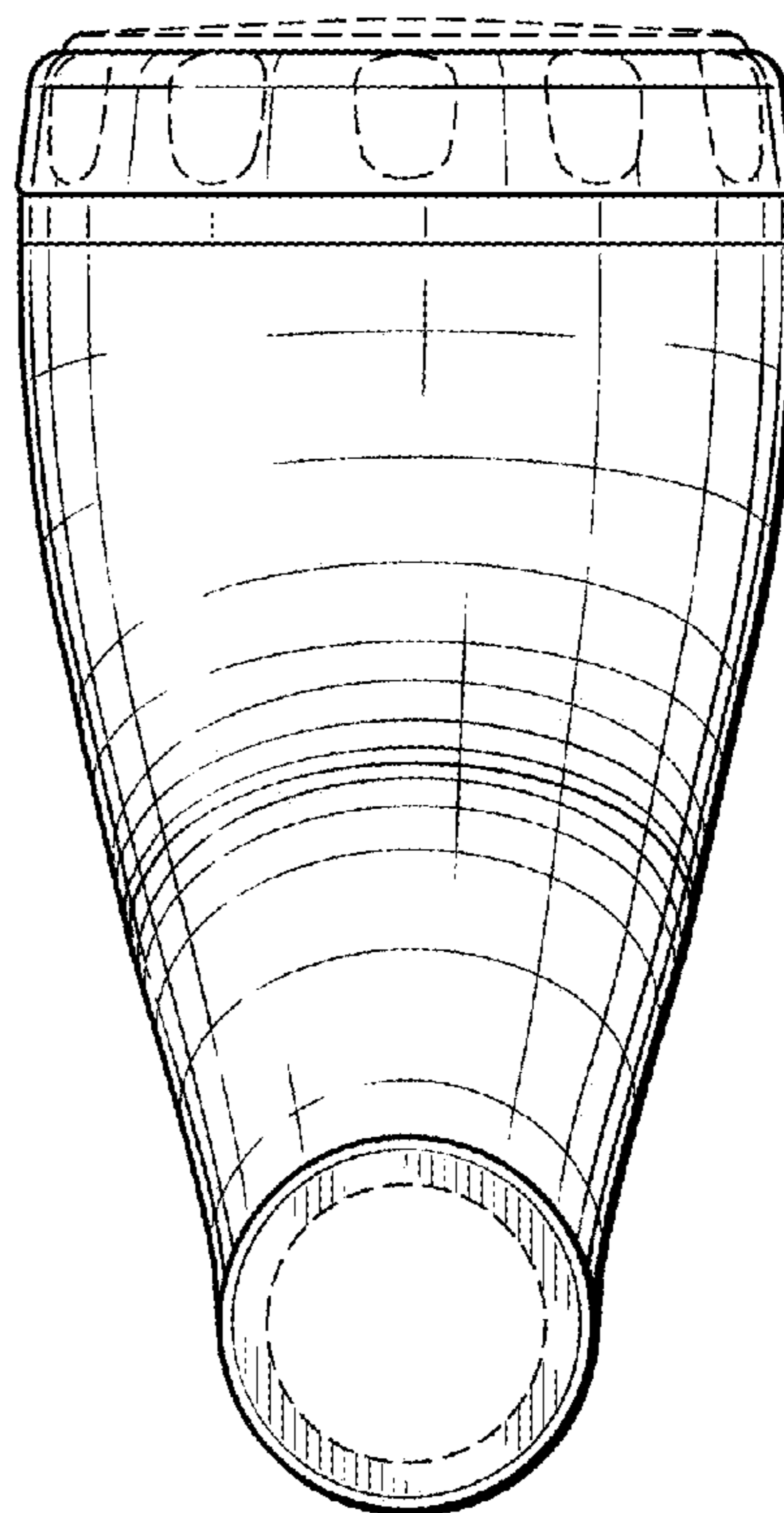


FIG. 6

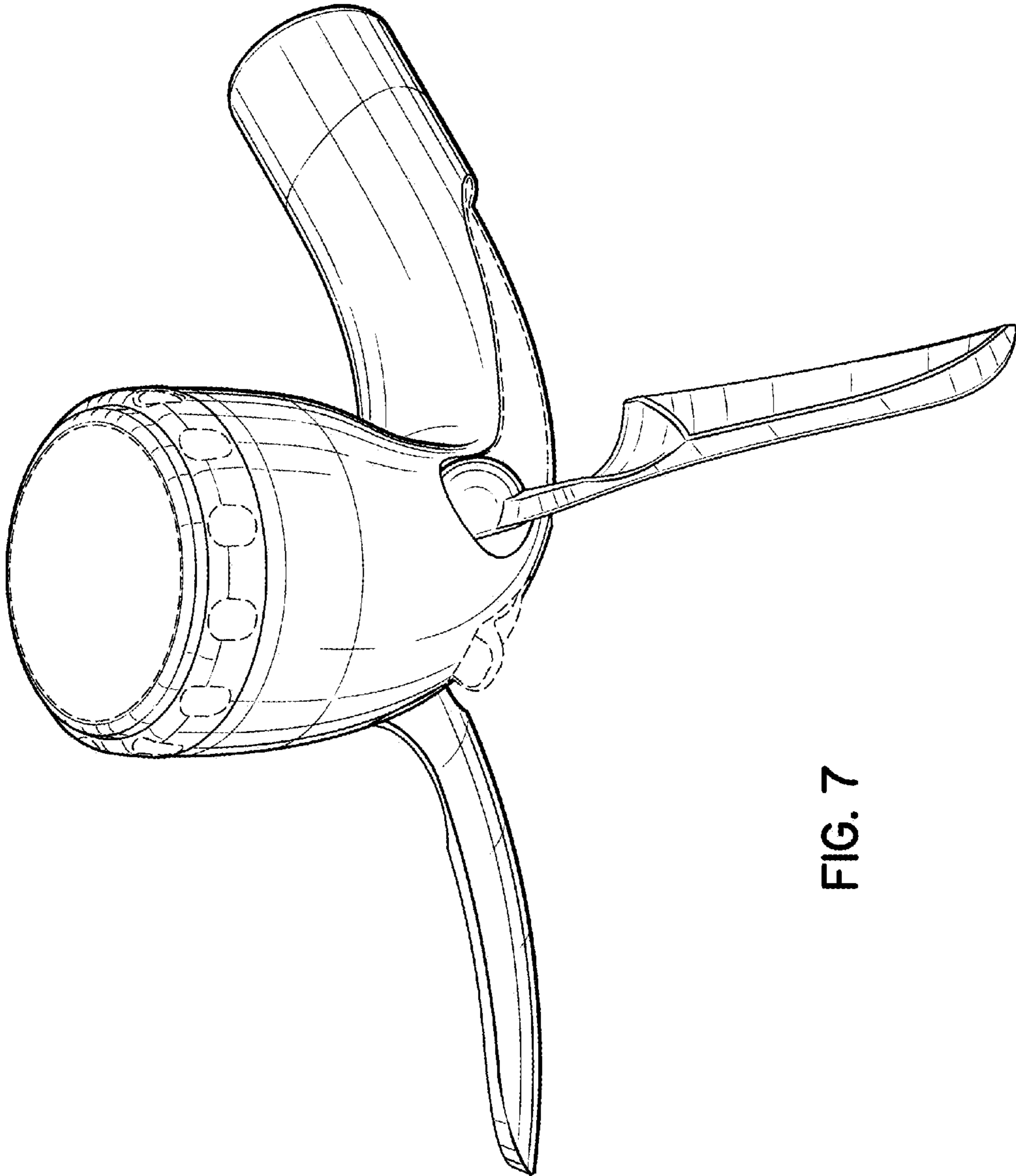


FIG. 7

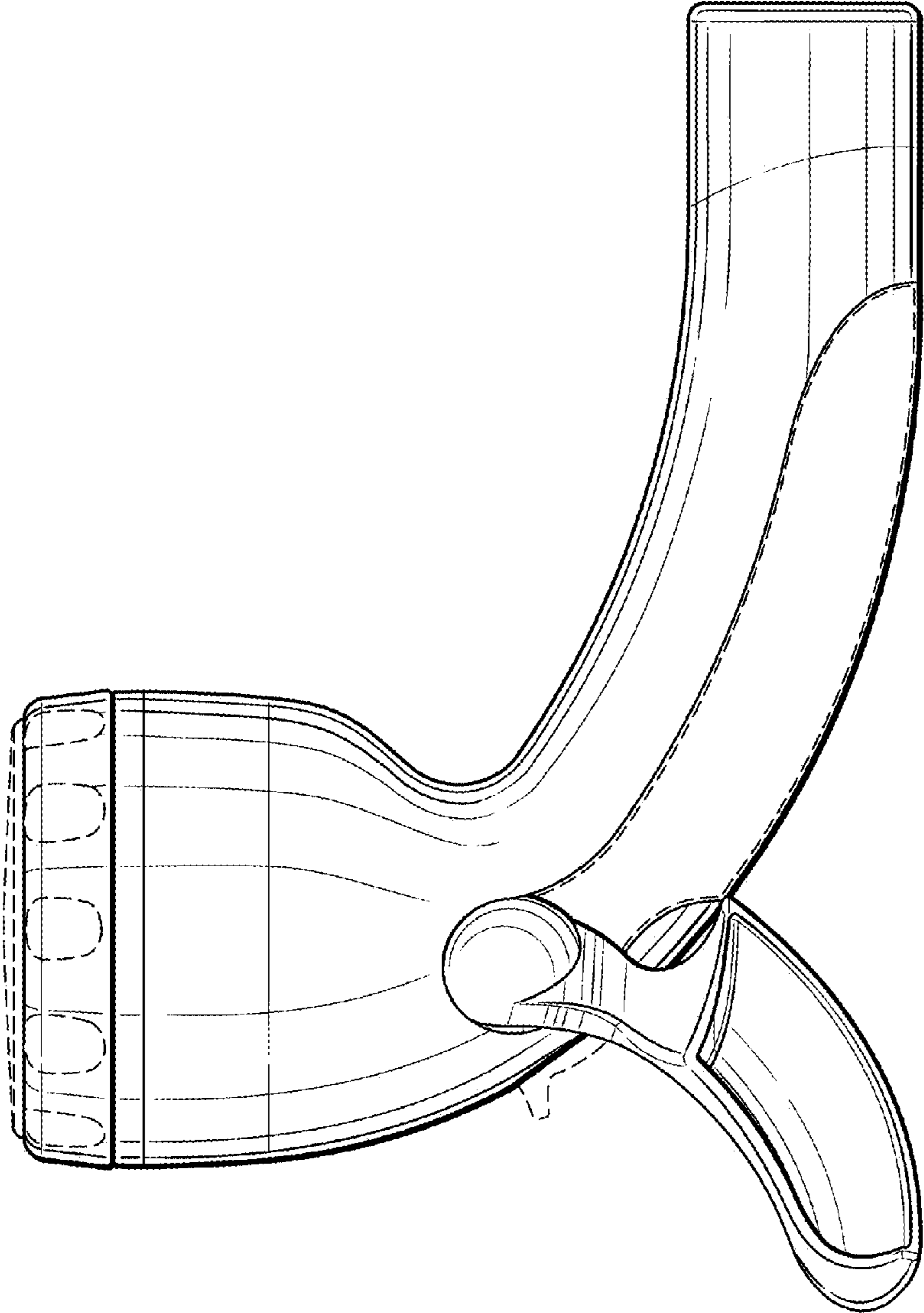


FIG. 8

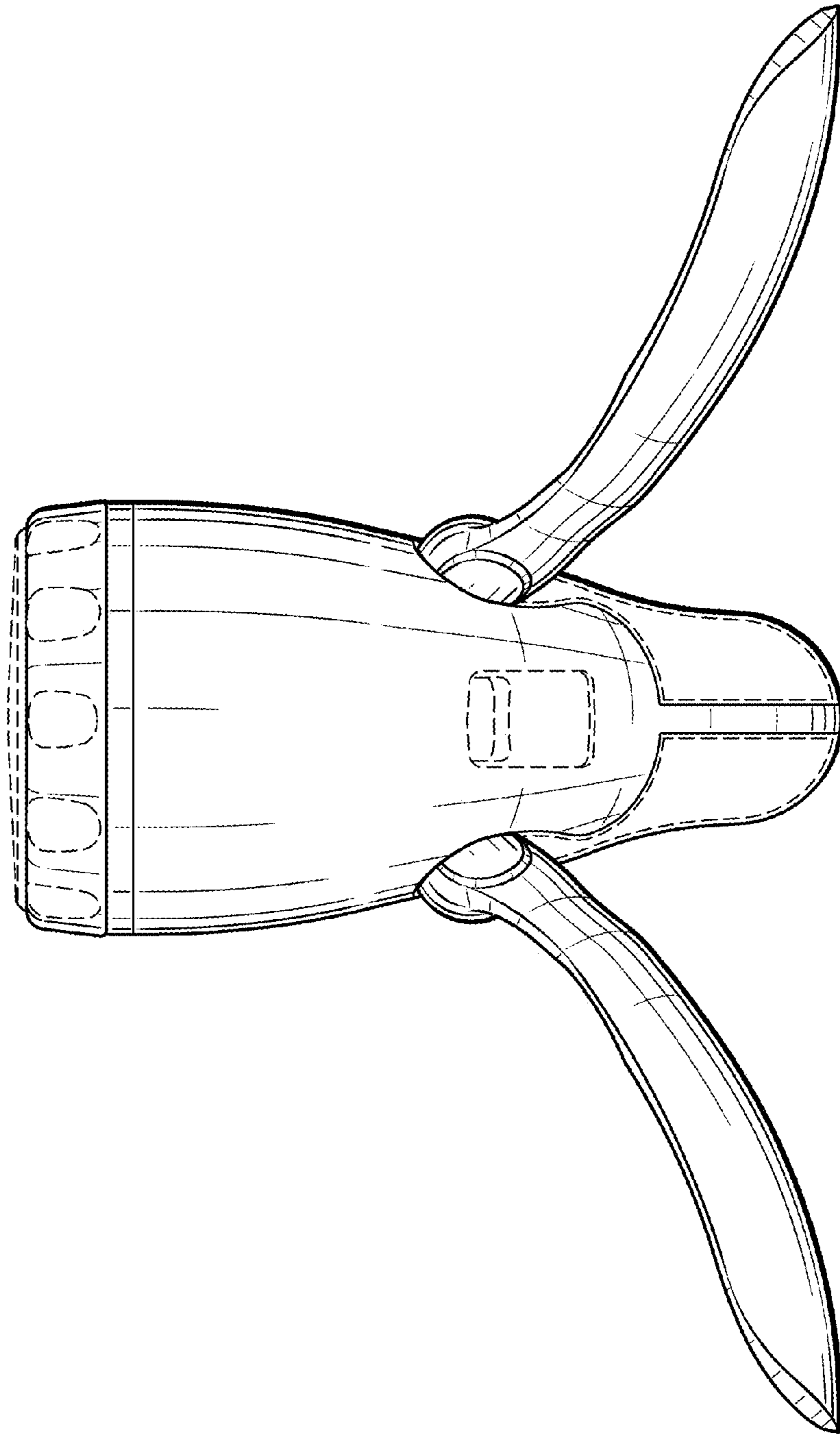


FIG. 9

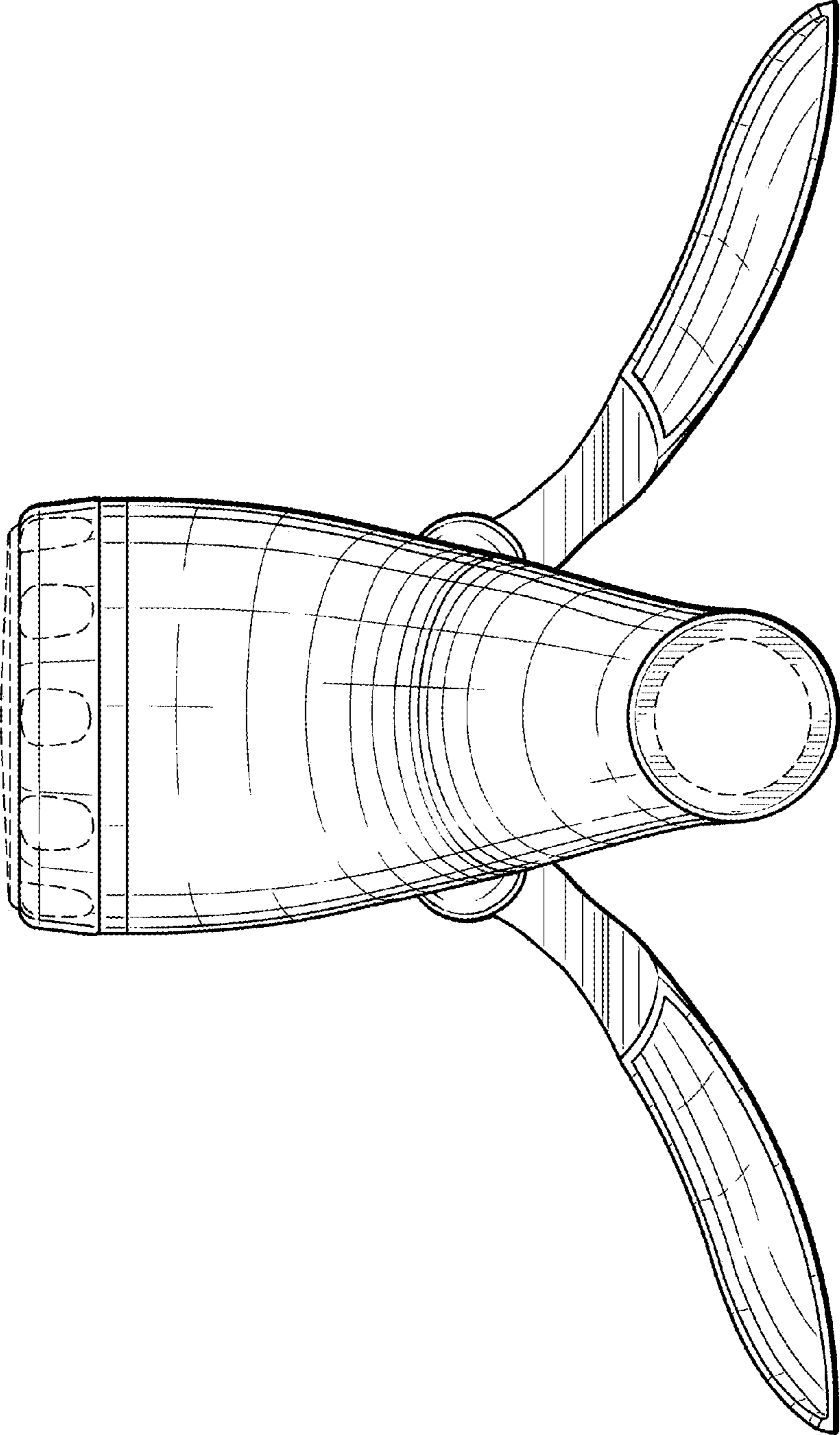


FIG. 10

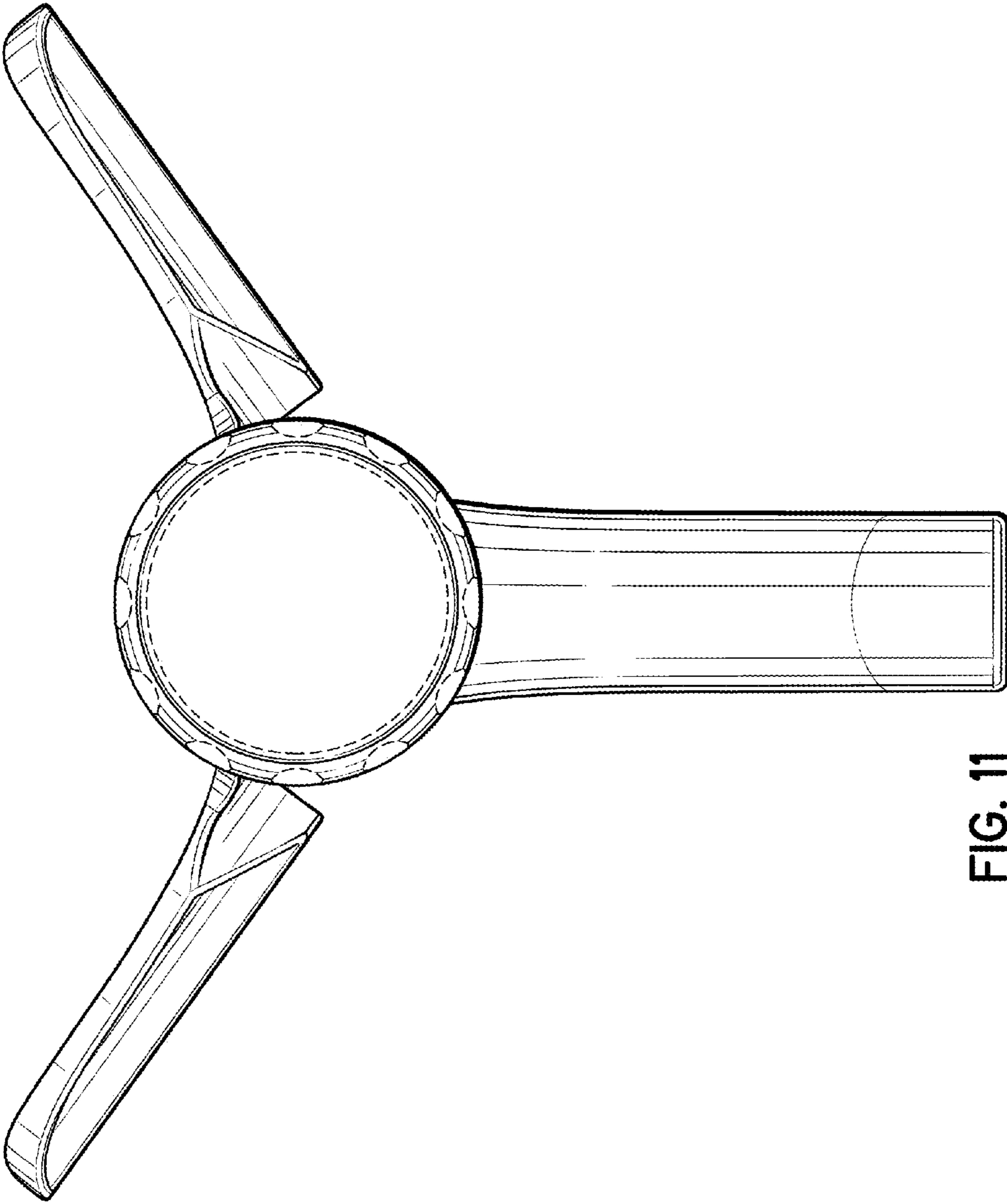


FIG. 11

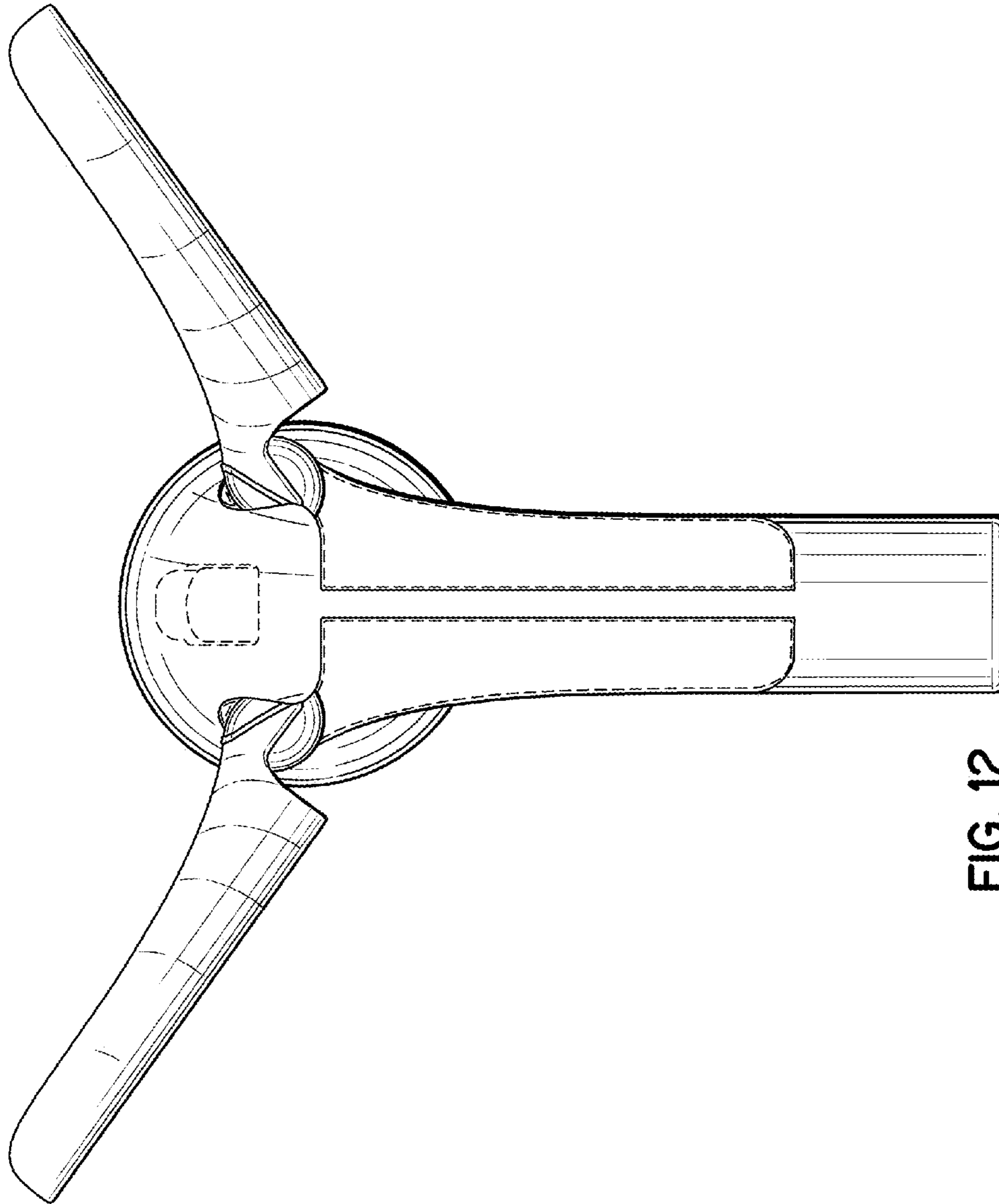


FIG. 12