



US00D689587S

(12) **United States Design Patent**  
**Schumacher**

(10) **Patent No.:** **US D689,587 S**

(45) **Date of Patent:** **\*\* \*Sep. 10, 2013**

(54) **BASIN FOR A WATER FOUNTAIN**

(76) Inventor: **James D Schumacher**, Roscoe, IL (US)

(\*) Notice: This patent is subject to a terminal disclaimer.

(\*\*) Term: **14 Years**

(21) Appl. No.: **29/283,355**

(22) Filed: **Aug. 10, 2007**

(51) **LOC (9) Cl.** ..... **23-01**

(52) **U.S. Cl.**  
USPC ..... **D23/201**

(58) **Field of Classification Search**  
USPC ..... D23/201; 239/17-20  
See application file for complete search history.

(56) **References Cited**

**U.S. PATENT DOCUMENTS**

D231,457 S *	4/1974	Jepsen et al. ....	D23/201
3,838,816 A *	10/1974	Huff et al. ....	239/18
D319,682 S *	9/1991	Sharp et al. ....	D23/201
D461,222 S *	8/2002	Bright et al. ....	D23/201
D475,116 S *	5/2003	Chan ..... ..	D23/201
D502,982 S *	3/2005	Atemboski et al. ....	D23/201

\* cited by examiner

*Primary Examiner* — Robin V Webster

(57) **CLAIM**

The ornamental design for a basin for a water fountain, as shown and described.

**DESCRIPTION**

FIG. 1 is a perspective view, from above, showing my new design which comprises a body, a cover and a cap.

FIG. 2 is a perspective view thereof from below.

FIG. 3 is a top plan view thereof.

FIG. 4 is a front elevation view thereof, the left, right and rear elevation views being identical thereto.

FIG. 5 is a bottom plan view thereof.

FIG. 6 is a perspective view, from below, of the cover and cap.

FIG. 7 is a bottom plan view thereof.

FIG. 8 is a front elevation view thereof, the left, right and rear elevation views being identical thereto.

FIG. 9 is a perspective view, from above, showing the cap removed from the cover.

FIG. 10 is a top plan view thereof.

FIG. 11 is a perspective view, from below, of the cap.

FIG. 12 is a bottom plan view thereof.

FIG. 13 is a front elevation view thereof, the left, right and rear elevation views being identical thereto.

FIG. 14 is a perspective view from above, of the basin body with the cover removed; and,

FIG. 15 is a top plan view thereof.

**1 Claim, 6 Drawing Sheets**

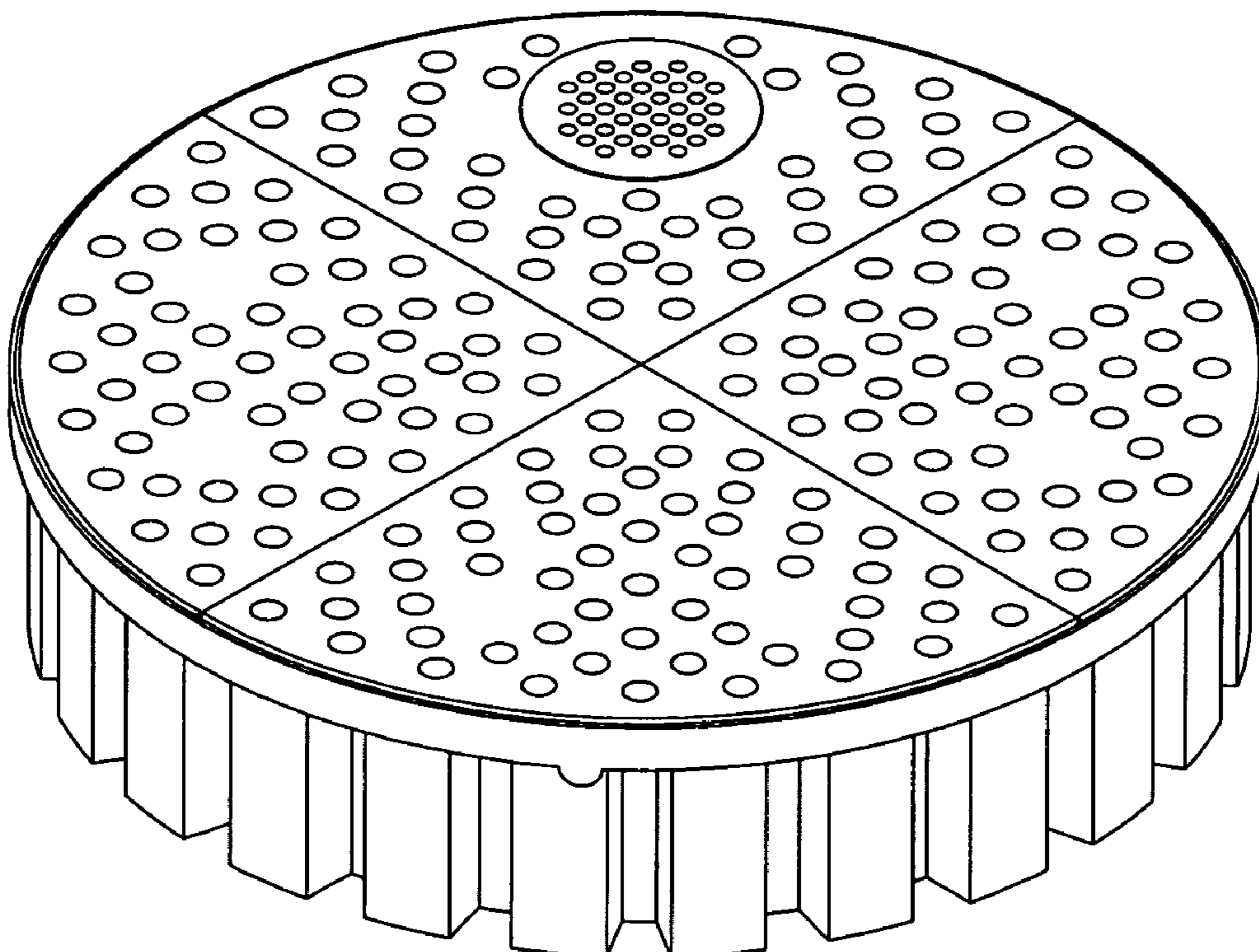


FIG. 1

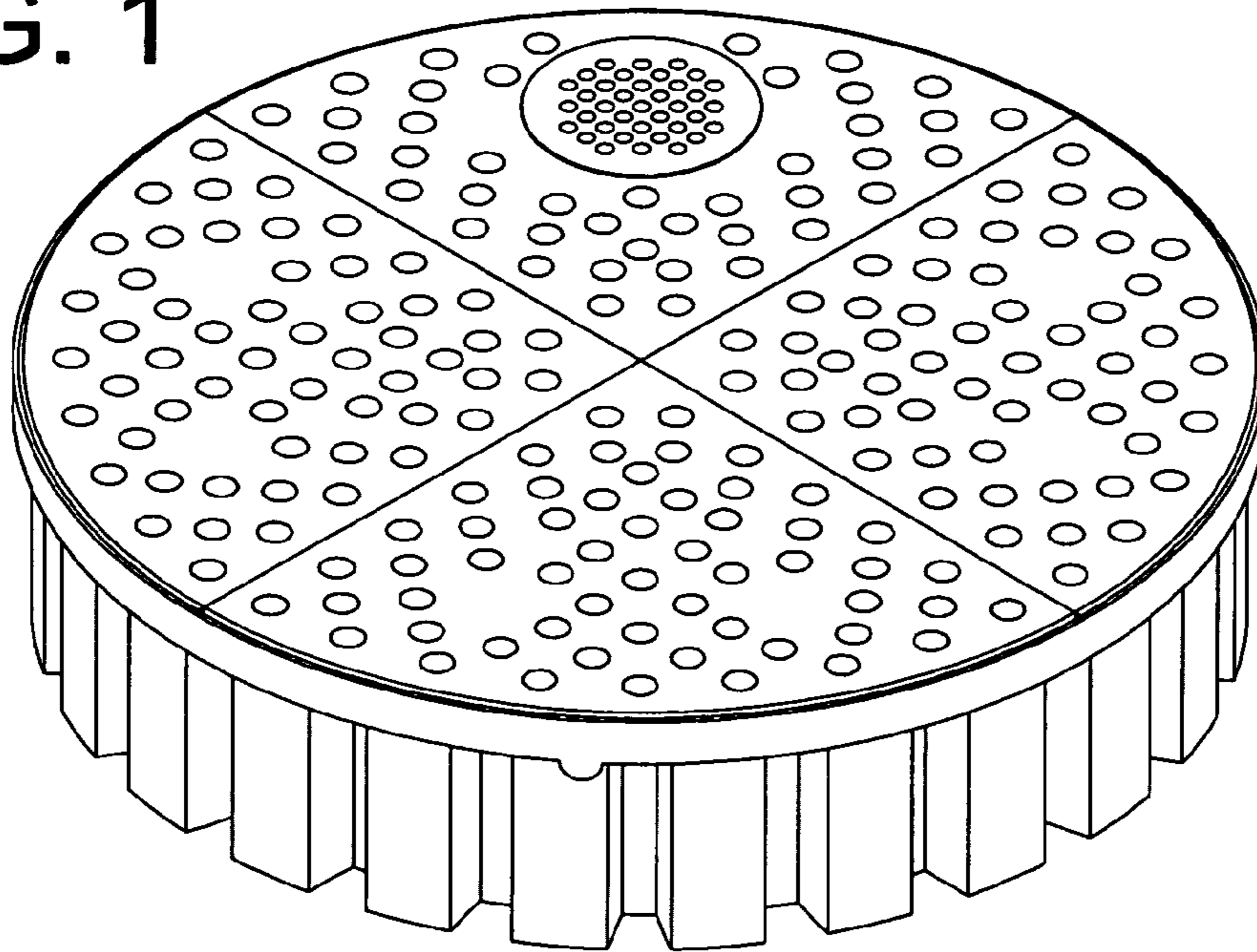


FIG. 2

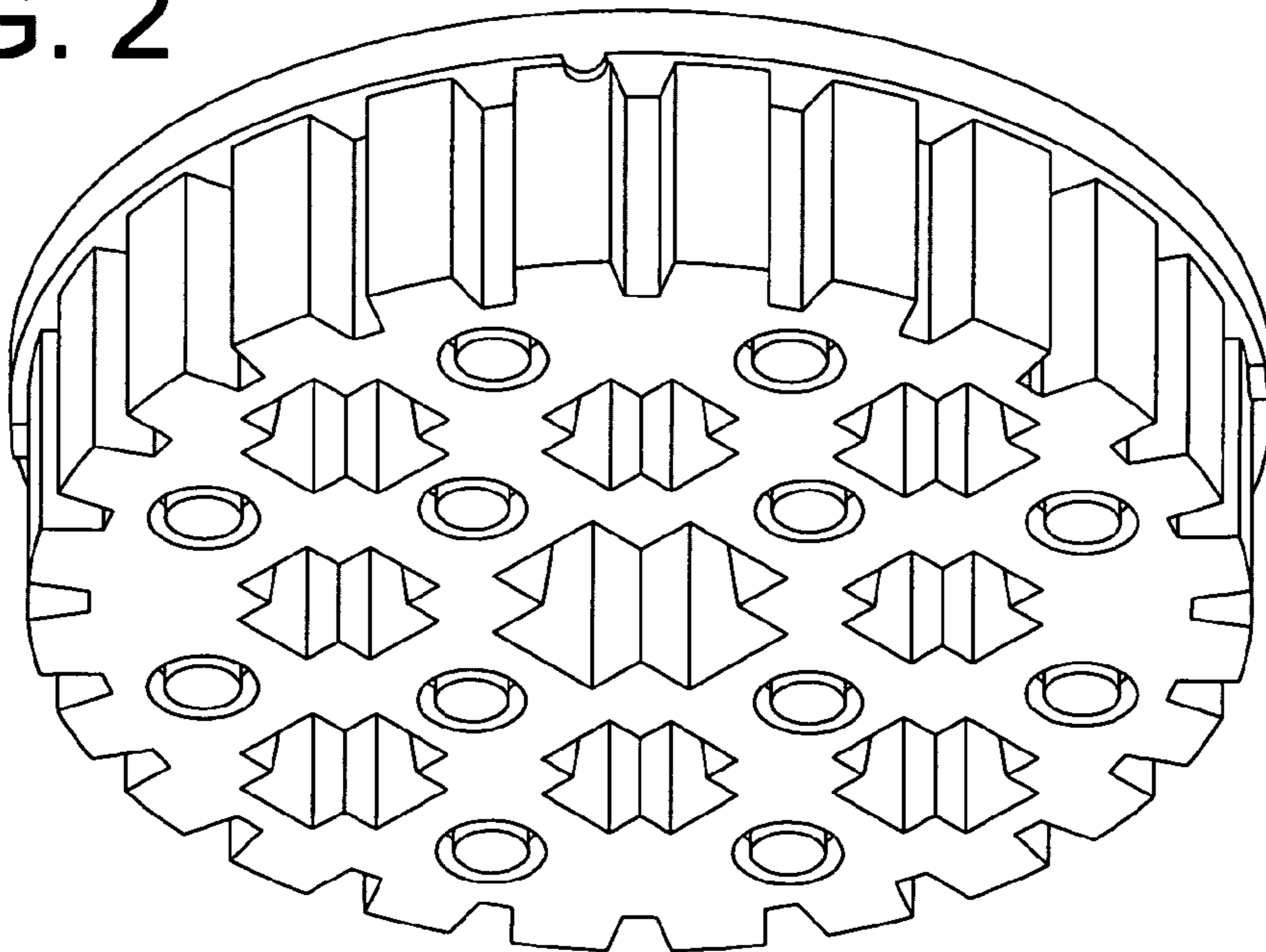


FIG. 3

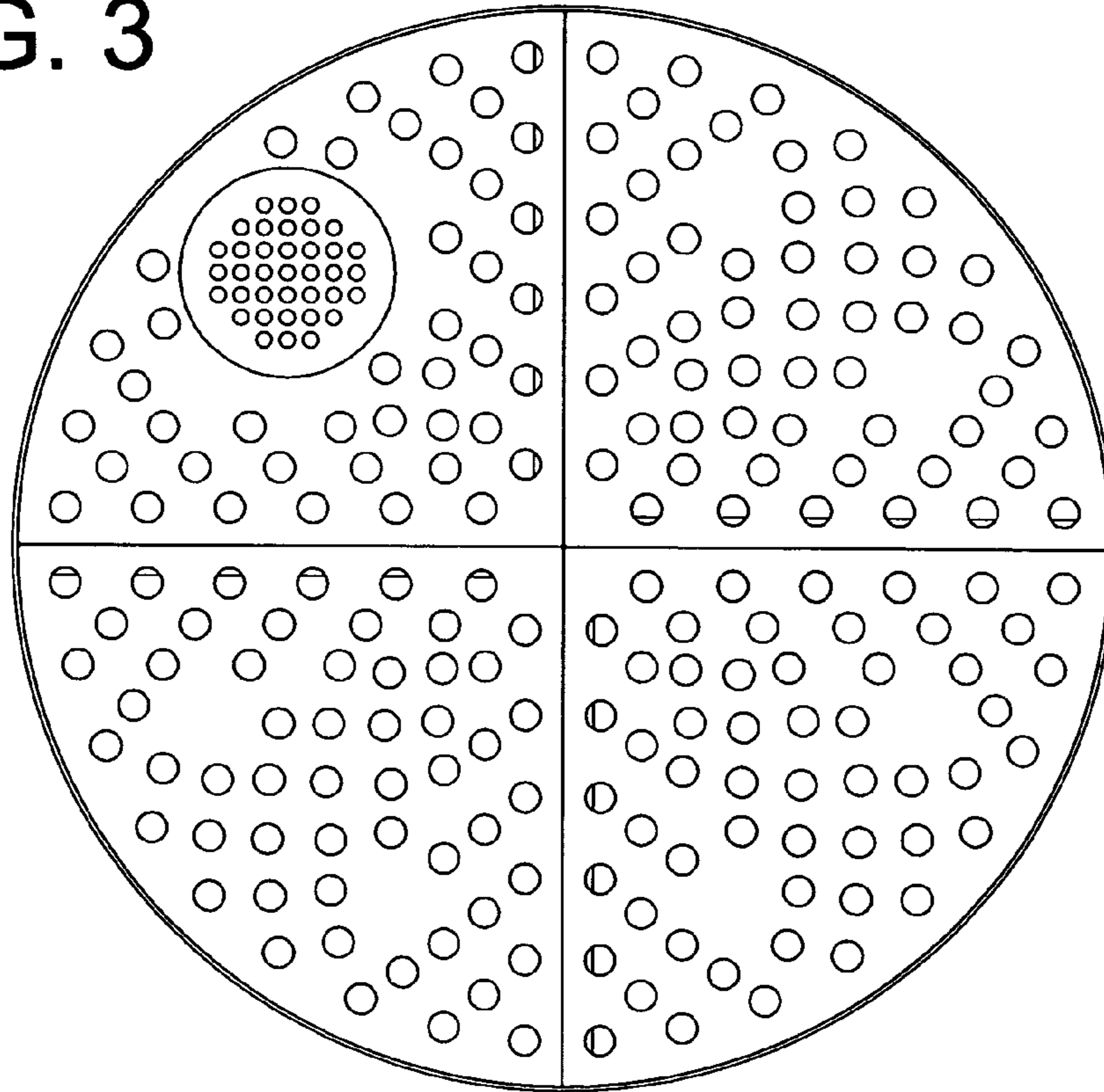


FIG. 4

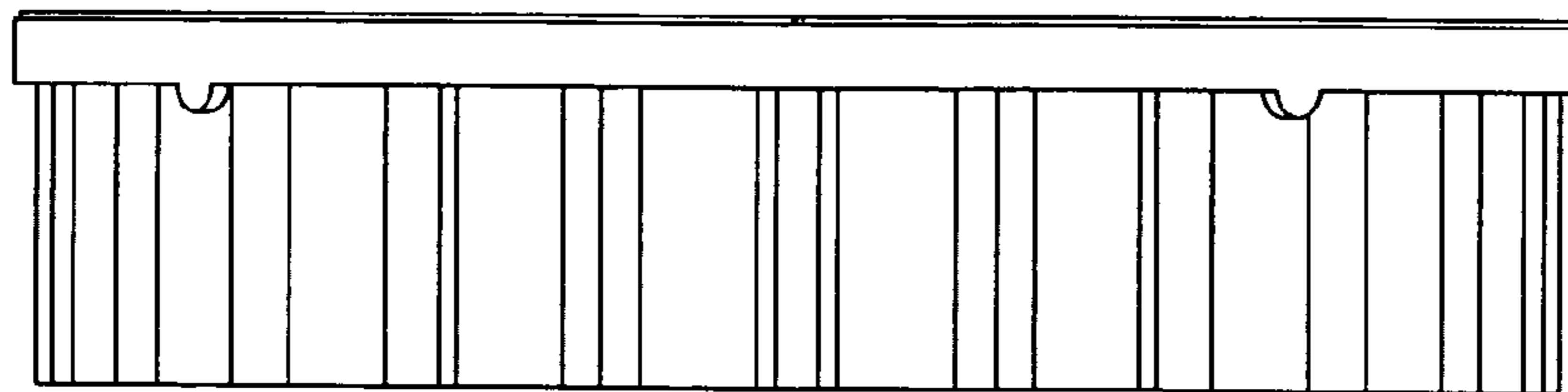




FIG. 5

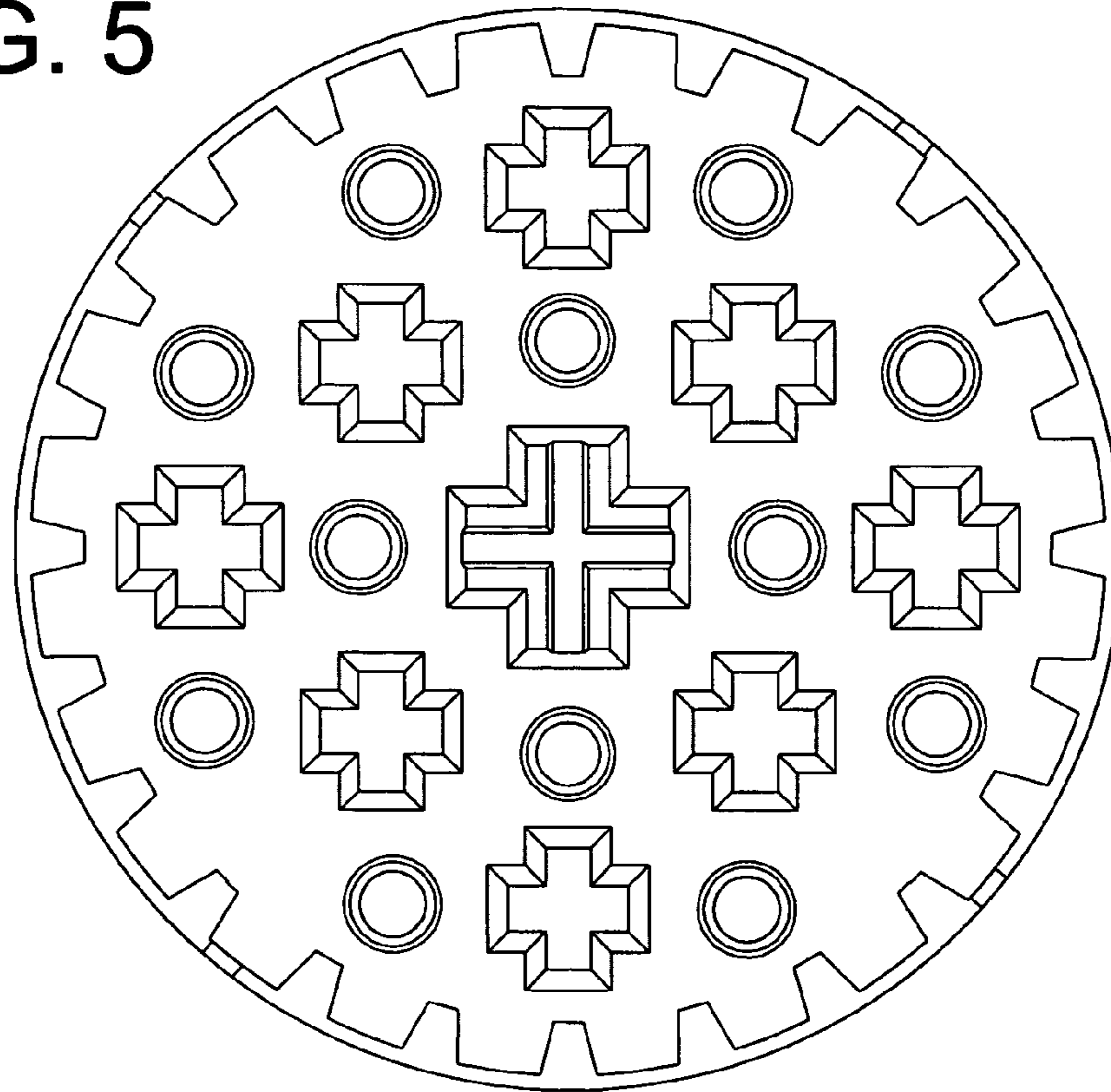


FIG. 6

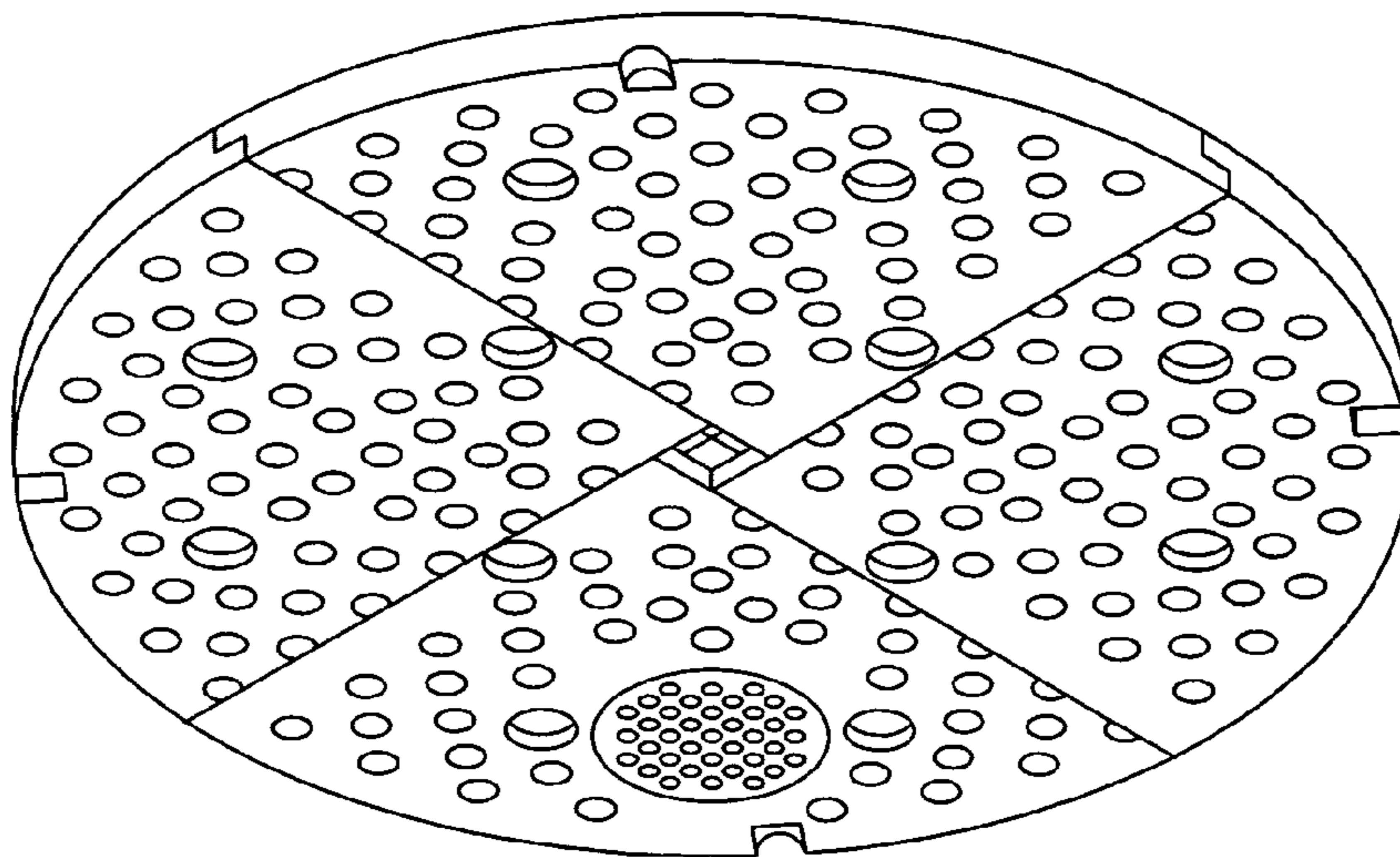


FIG. 7

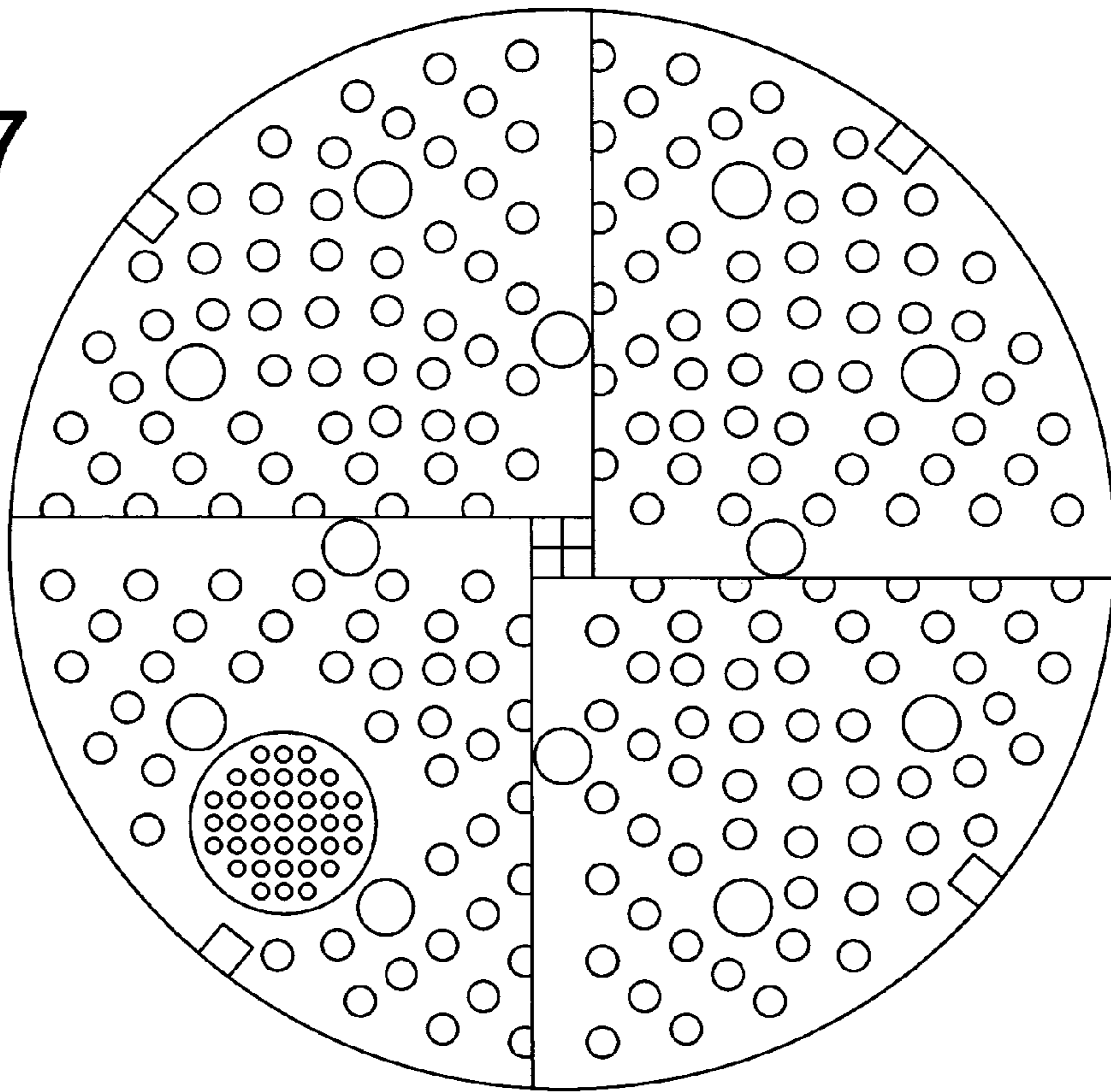
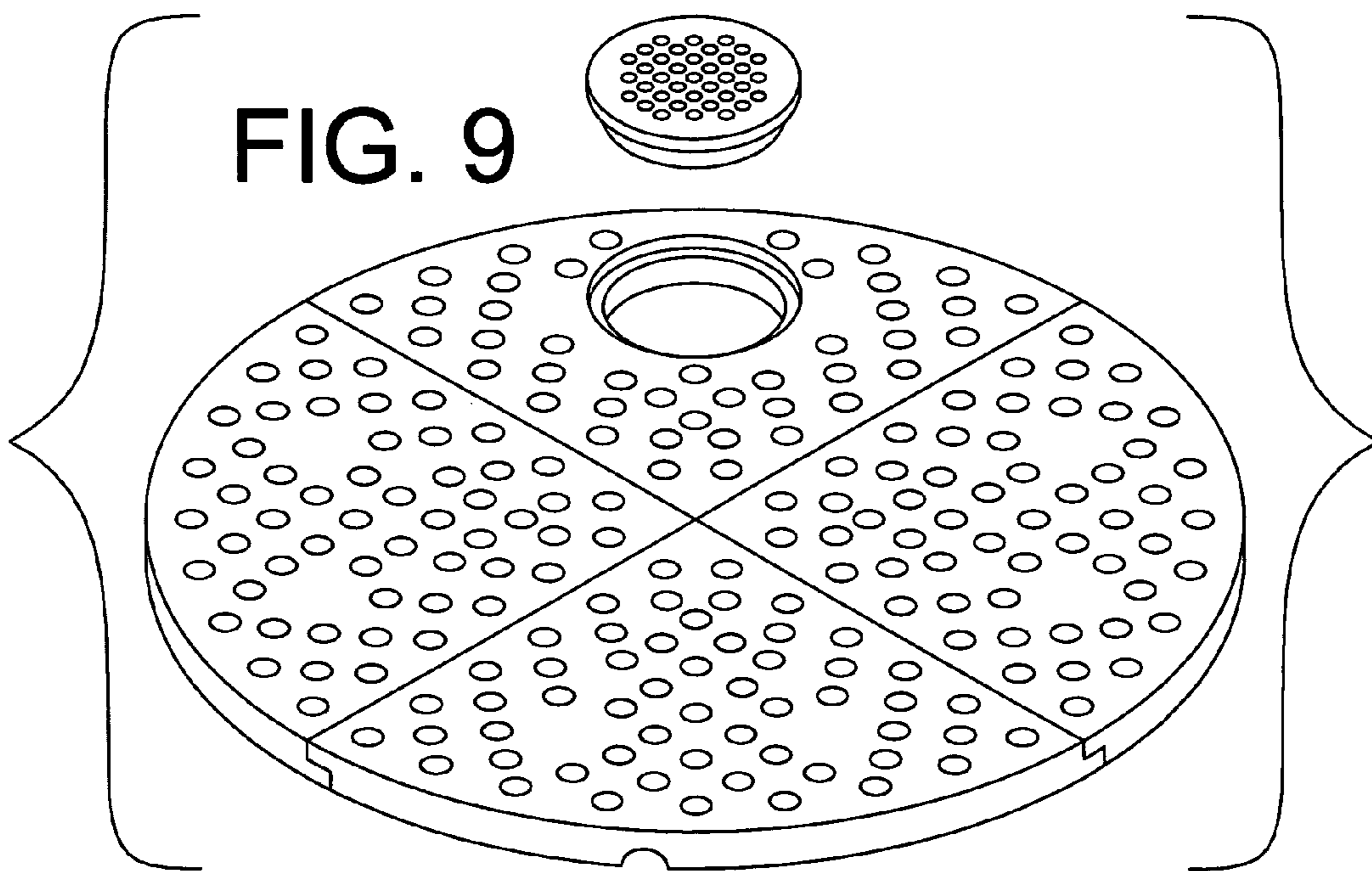


FIG. 9



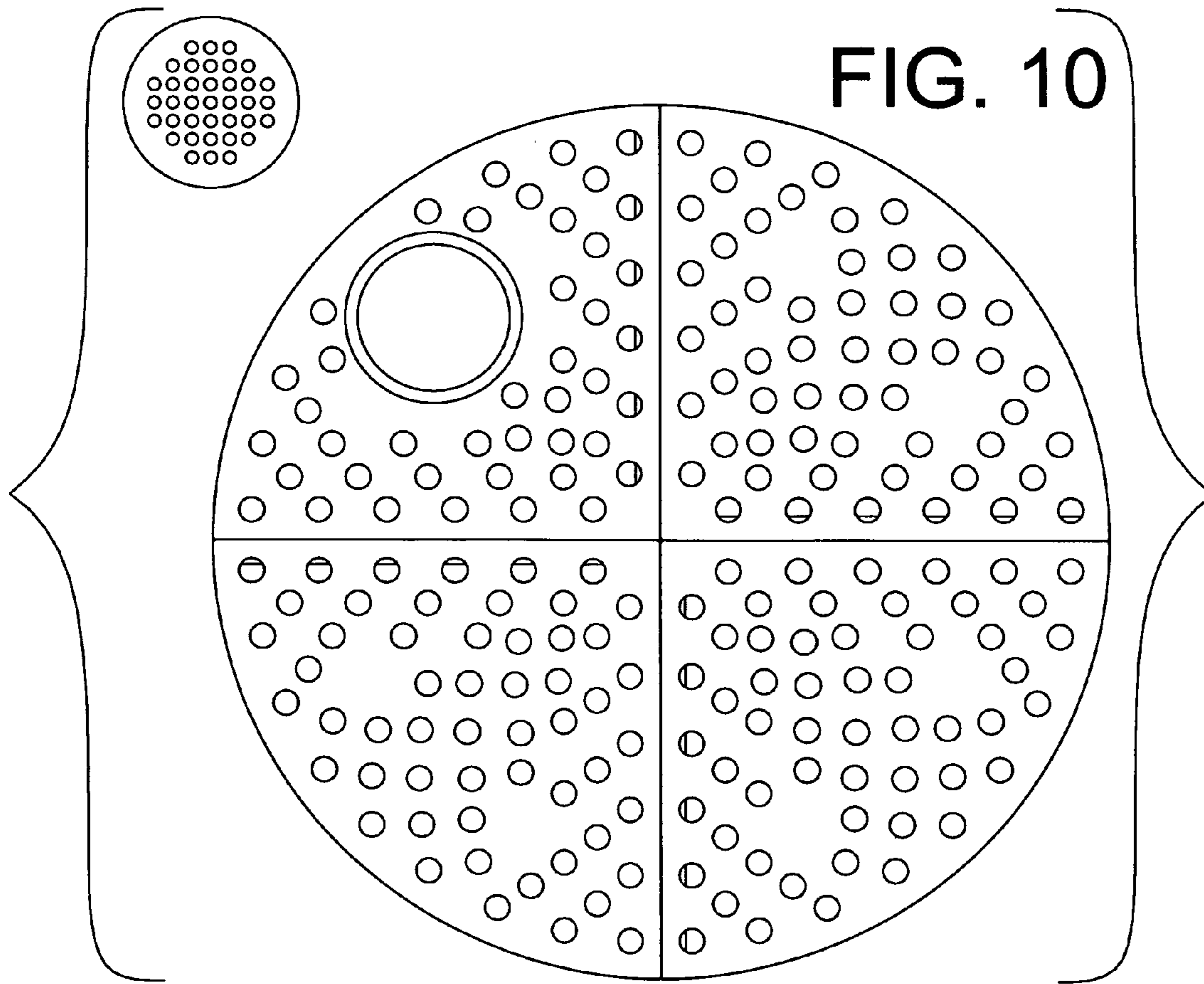


FIG. 8



FIG. 11

FIG. 12

FIG. 13

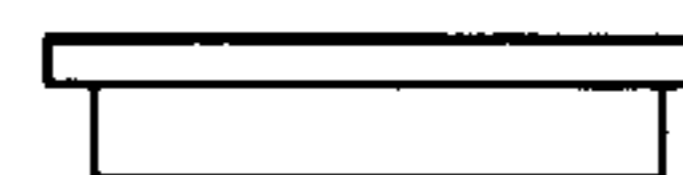
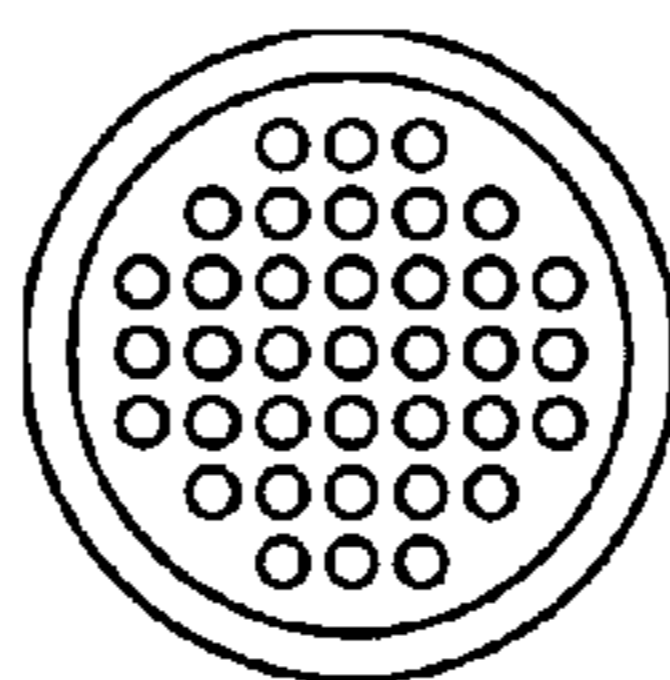
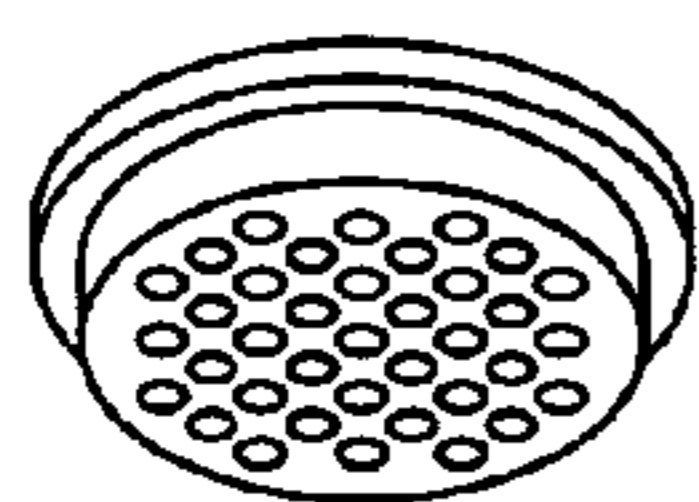




FIG. 14

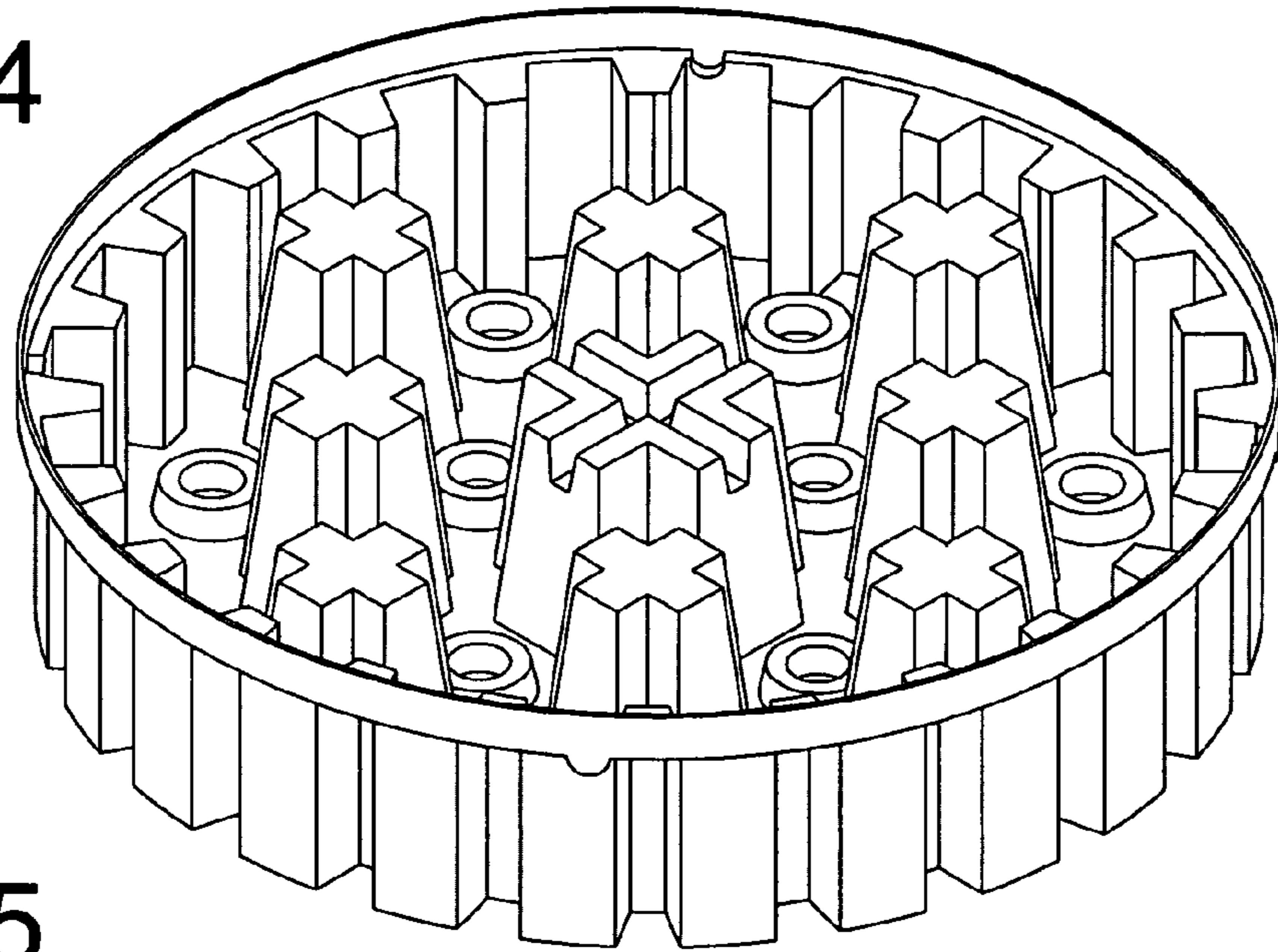


FIG. 15

