



US00D689586S

(12) **United States Design Patent**
Zuch et al.

(10) **Patent No.:** **US D689,586 S**
(45) **Date of Patent:** **** Sep. 10, 2013**

(54) **SOLAR POWERED FISHING DEVICE**

(75) Inventors: **Roberta Zuch**, Allen, TX (US); **Sam Iravantchi**, Irvine, CA (US); **Dan Thompson**, Irvine, CA (US); **Doug Walker**, Long Beach, CA (US)

(73) Assignee: **Solar Juggin**, Allen, TX (US)

(**) Term: **14 Years**

(21) Appl. No.: **29/406,701**

(22) Filed: **Nov. 17, 2011**

(51) **LOC (9) Cl.** **22-05**

(52) **U.S. Cl.**
USPC **D22/134**

(58) **Field of Classification Search**
USPC D22/134, 138-139, 149, 199; 43/26.2, 43/42.02, 26.1, 42.3, 42.31
See application file for complete search history.

(56) **References Cited**

U.S. PATENT DOCUMENTS

4,607,449	A	8/1986	Brachear	
D291,905	S	9/1987	Brachear	
4,805,337	A *	2/1989	Kurata	43/17.5
4,884,355	A	12/1989	Neihoff et al.	

5,265,369	A	11/1993	Botkins	
6,092,325	A	7/2000	Walker	
6,321,481	B1	11/2001	Presnell	
6,401,382	B2	6/2002	Larkin	
D459,783	S *	7/2002	Tseng	D22/134
6,854,207	B1	2/2005	Strope	
D504,490	S *	4/2005	Bedros	D22/134
8,312,669	B2 *	11/2012	Thomas	43/42.31
8,359,781	B2 *	1/2013	Mancuso	43/42.31

* cited by examiner

Primary Examiner — Catheri Oliver-Garcia

(74) *Attorney, Agent, or Firm* — John Tang; Strasburger & Price, LLP

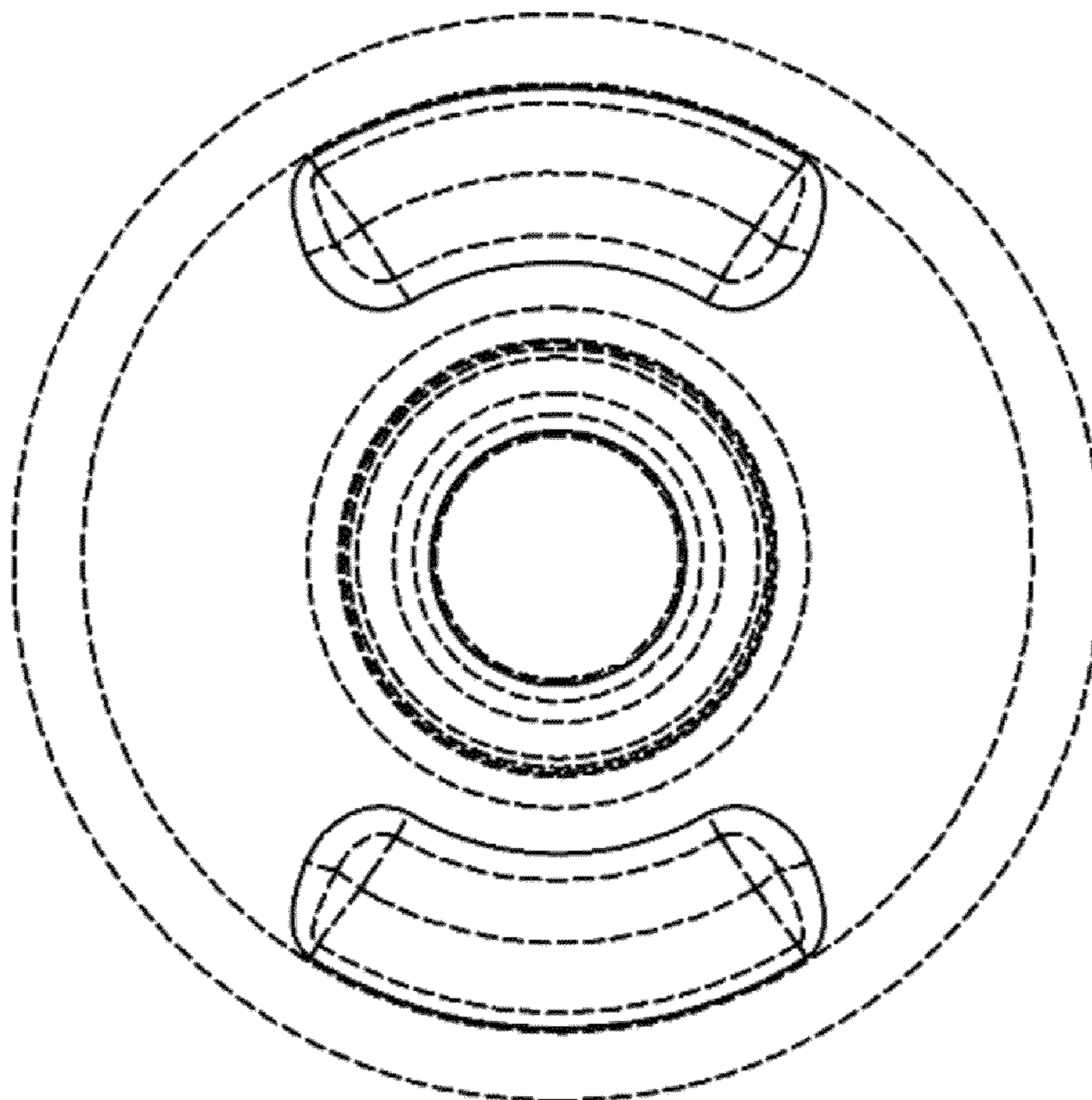
(57) **CLAIM**

We claim the ornamental design for a solar powered fishing device, as shown.

DESCRIPTION

FIG. 1 is a top plan view of the solar powered fishing device showing our new ornamental design; FIG. 2 is top perspective view thereof; FIG. 3 is a front elevation view thereof; FIG. 4 is a bottom perspective view thereof; and, FIG. 5 is a bottom plan view thereof. Those features depicted with dashed lines do not form a part of the disclosed design.

1 Claim, 2 Drawing Sheets



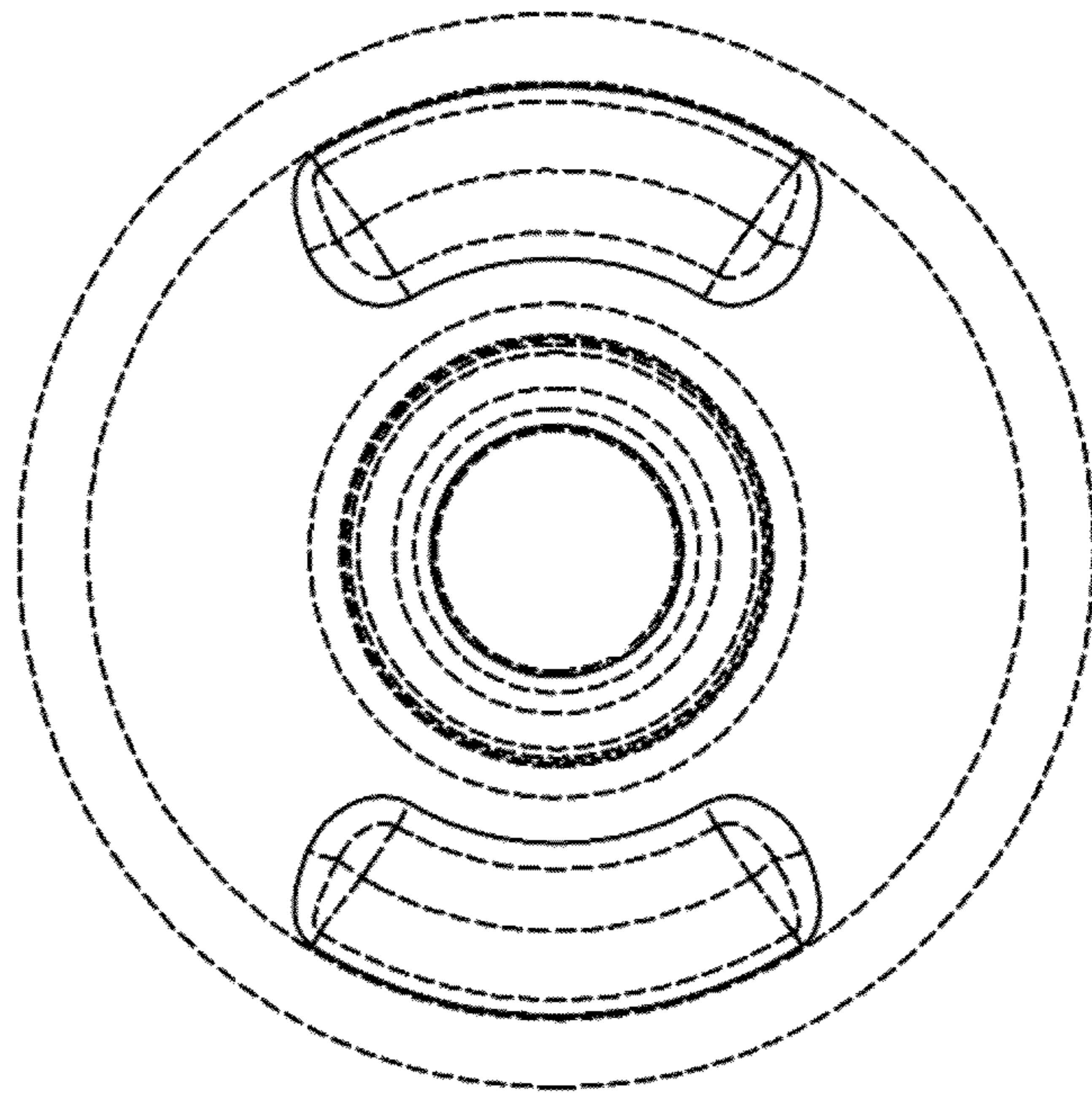


Figure 1

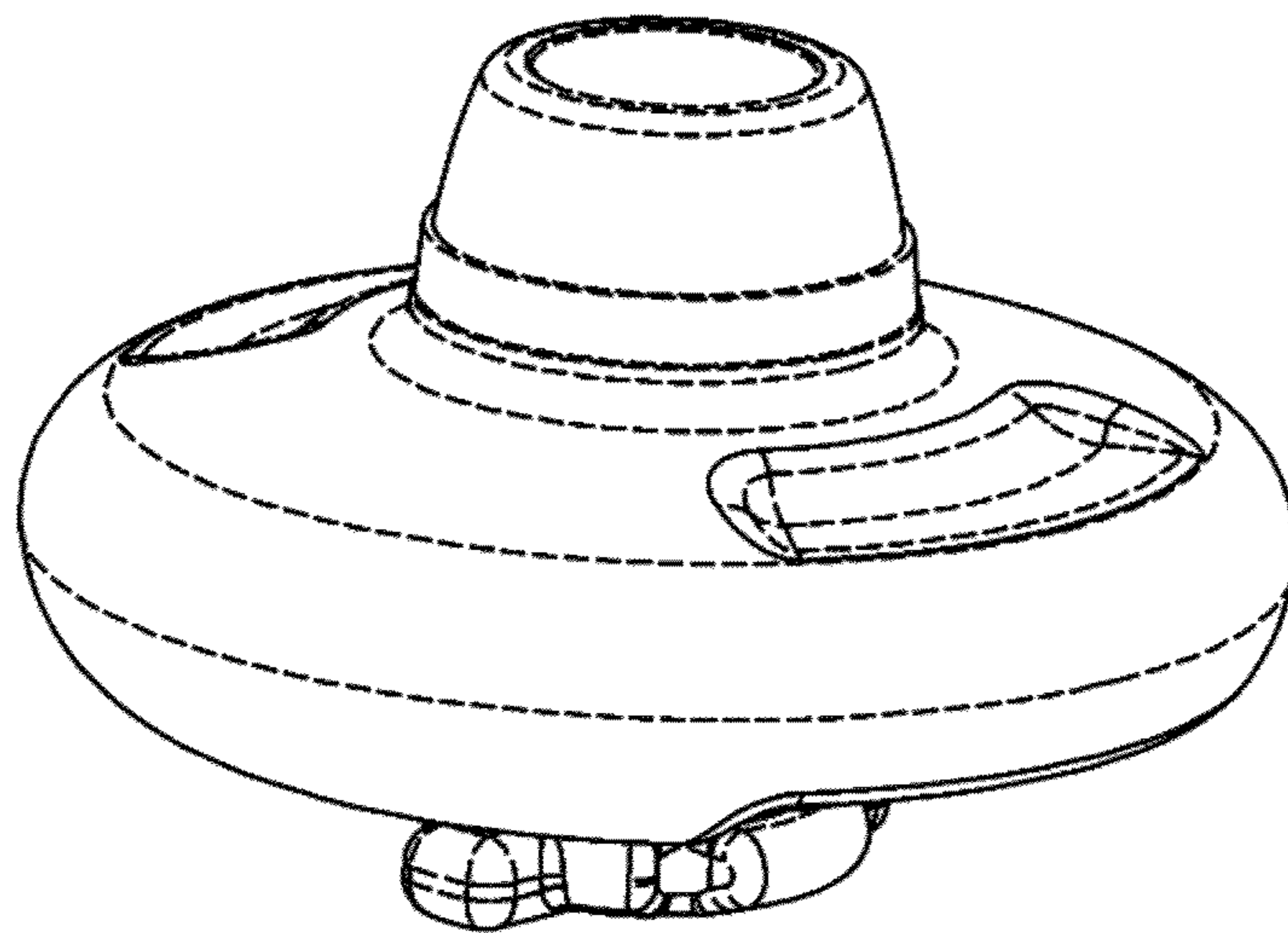


Figure 2

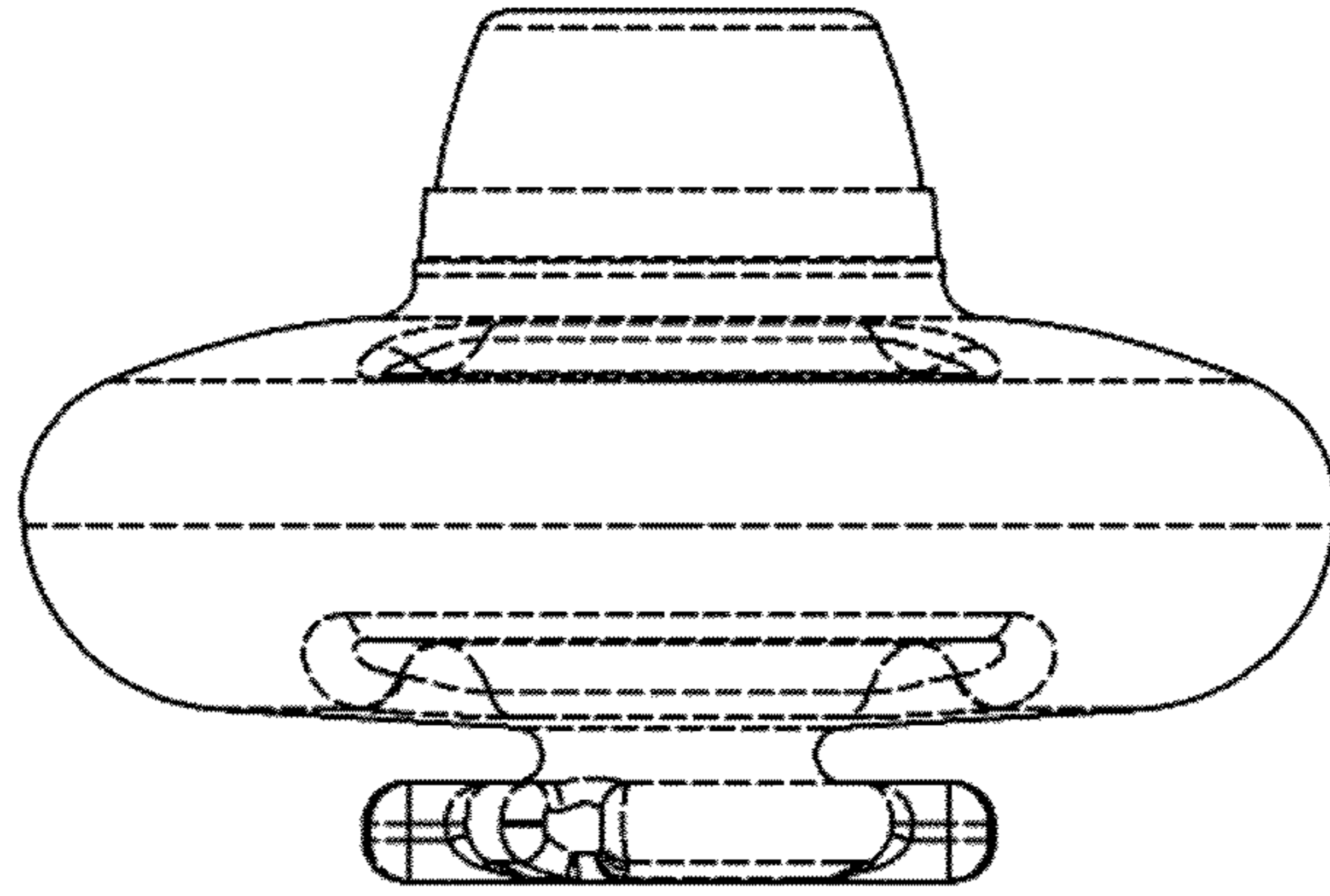


Figure 3

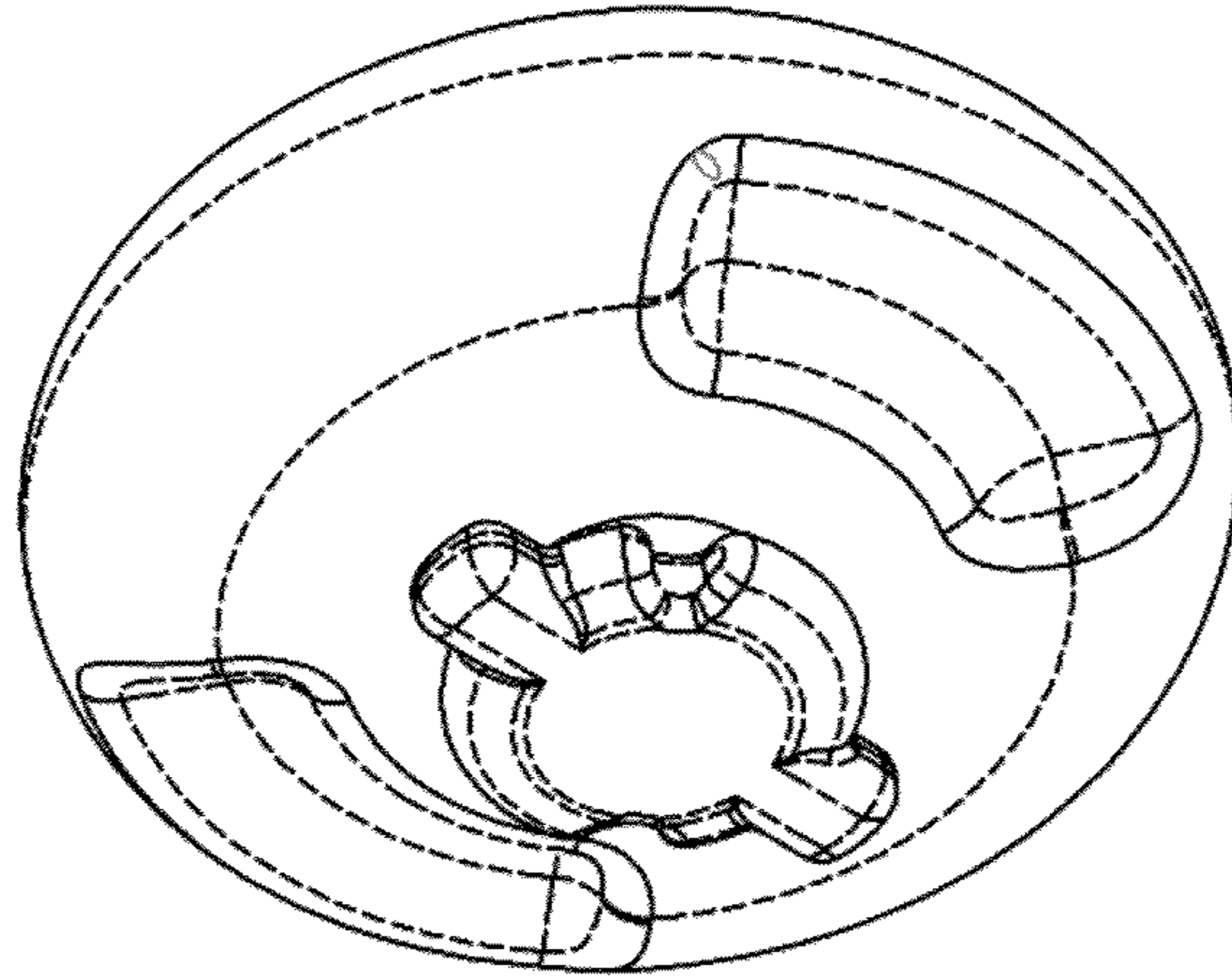


Figure 4

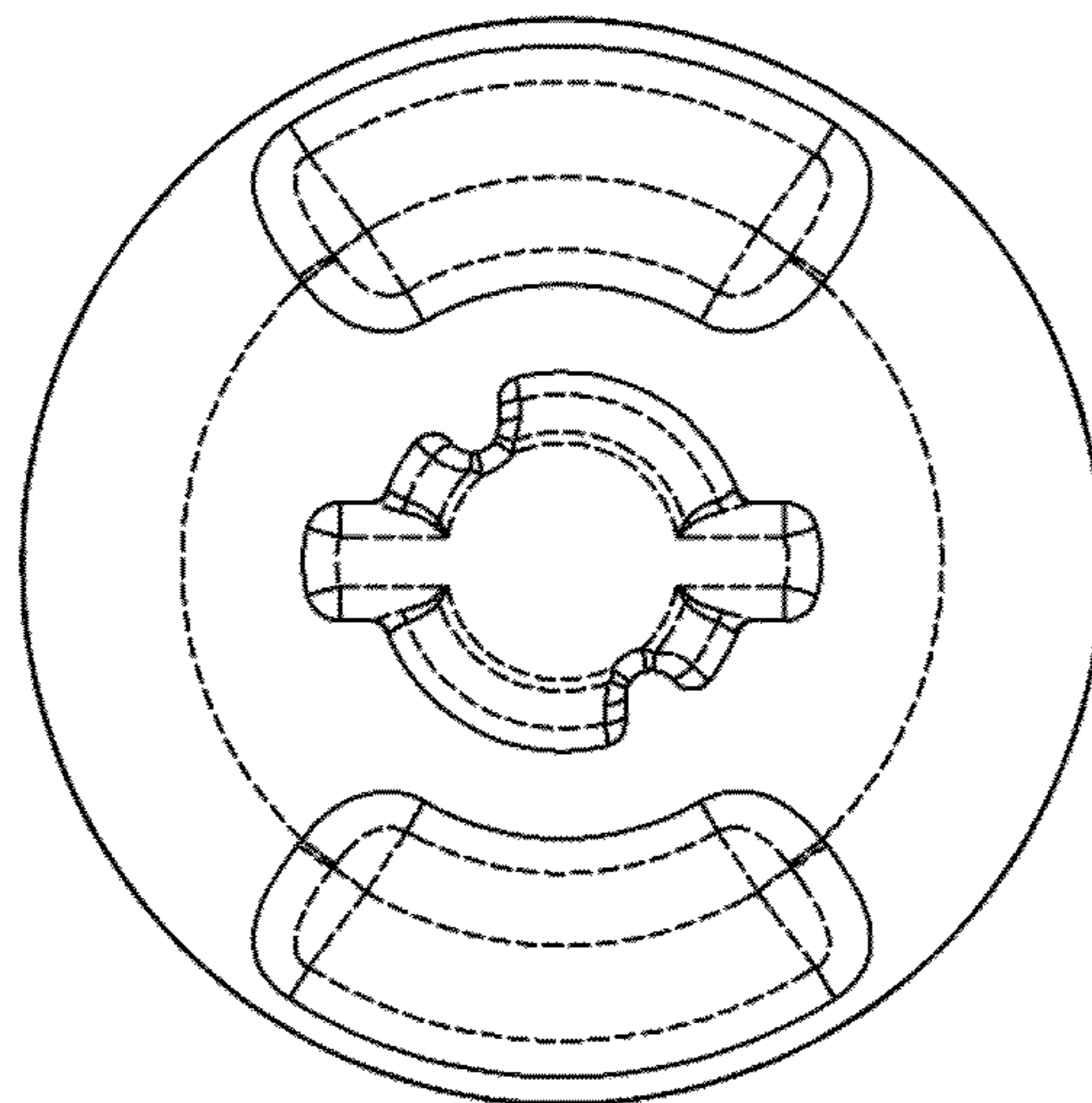


Figure 5