



US00D689581S

(12) **United States Design Patent**  
**Fitzpatrick et al.**

(10) **Patent No.:** **US D689,581 S**

(45) **Date of Patent:** **\*\* Sep. 10, 2013**

(54) **MAGAZINE LINK FOR FIREARM MAGAZINES**

(75) Inventors: **Richard Fitzpatrick**, Longmont, CO (US); **Michael T. Mayberry**, Denver, CO (US); **Jeremy Kerbs**, Erie, CO (US); **Brad Bennett**, Lafayette, CO (US); **Brian Nakayama**, Arvada, CO (US)

(73) Assignee: **Magpul Industries Corporation**, Erie, CO (US)

(\*\*) Term: **14 Years**

(21) Appl. No.: **29/420,598**

(22) Filed: **May 10, 2012**

(51) **LOC (9) Cl.** ..... **22-01**

(52) **U.S. Cl.**  
USPC ..... **D22/108**

(58) **Field of Classification Search**  
USPC ..... D22/108; D21/572-573; 42/6, 7, 42/49.01-49.02, 50, 49.1; 89/33.1, 40.06, 89/37.04, 33.04, 191.01; 124/45, 66, 67, 124/74; 362/110  
See application file for complete search history.

(56) **References Cited**

**U.S. PATENT DOCUMENTS**

4,100,694	A *	7/1978	Musgrave	42/90
4,139,959	A	2/1979	Howard	
4,484,404	A *	11/1984	Johnson	42/90
4,628,627	A *	12/1986	Johnson	42/90
D362,044	S	9/1995	Snieszak	
6,668,479	B1 *	12/2003	Obong	42/90
D502,524	S *	3/2005	Fisher et al.	D22/108
D588,227	S *	3/2009	Swenson et al.	D22/108
7,497,043	B2 *	3/2009	Clifton et al.	42/49.01
D593,635	S	6/2009	Fitzpatrick	
7,562,482	B1 *	7/2009	Johnson	42/90
D600,303	S	9/2009	Fitzpatrick	
D614,719	S	4/2010	Fitzpatrick	
D614,720	S	4/2010	Fitzpatrick	

(Continued)

**OTHER PUBLICATIONS**

Brownells\_2012\_AR15-M16\_20-30-Round\_Magazines  
Brownells (2012) AR-15/M16 20- & 30-Round Magazines; Website [Online] Available Web Site: <http://www.brownells.com/.aspx/pid=21225/Product/AR-15-M16-20-30-ROUND-MAGAZINES>; Last Update: unknown; Accessed on May 4, 2012.

(Continued)

*Primary Examiner* — Michael A Pratt

(74) *Attorney, Agent, or Firm* — Swanson & Bratschun, L.L.C.

(57) **CLAIM**

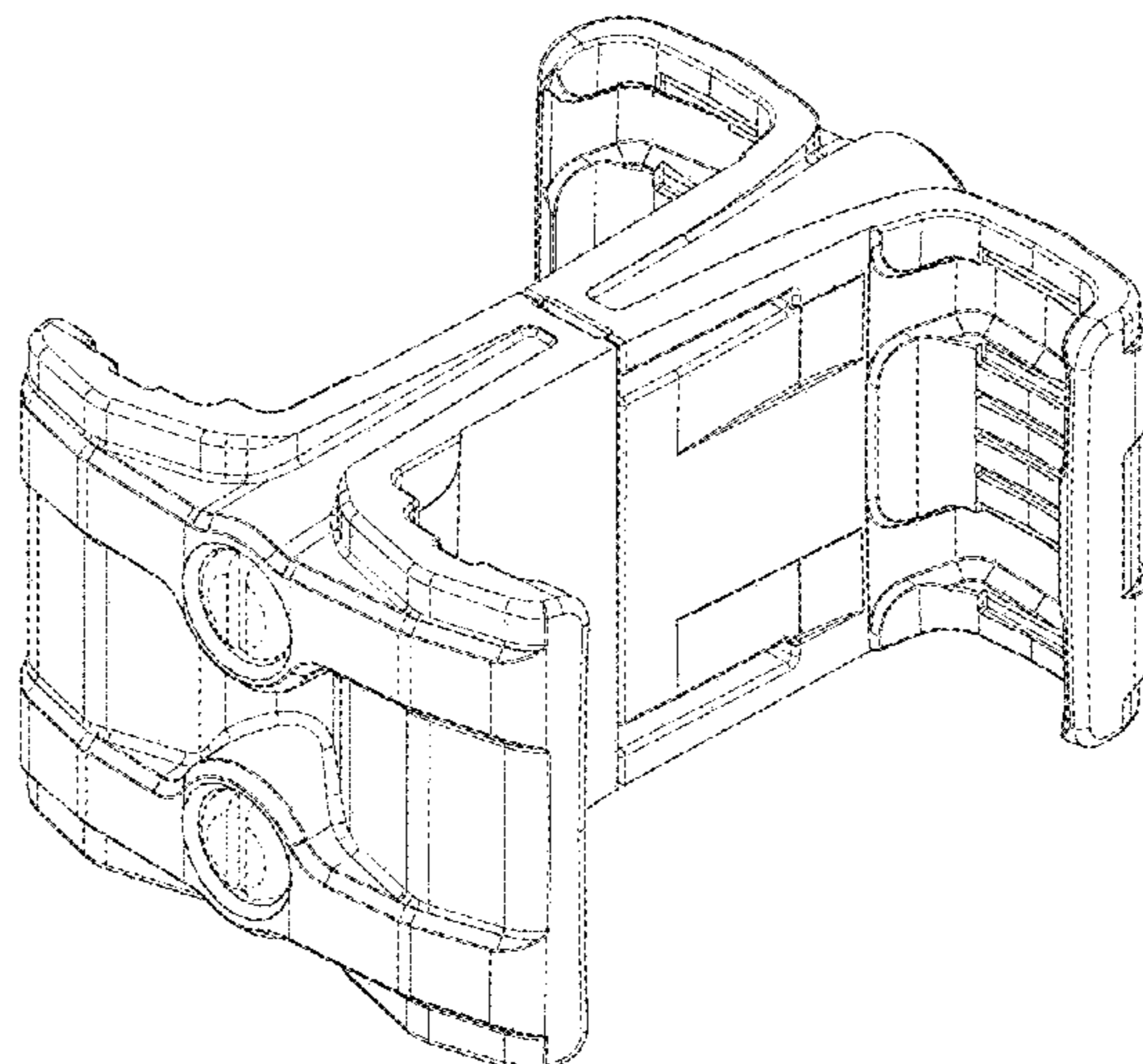
The ornamental design for a magazine link for firearm magazines, as shown and described.

**DESCRIPTION**

FIG. 1 is a front, top, right elevation view of a magazine link for firearm magazines showing our new design; FIG. 2 is a left side elevation view of the magazine link for firearm magazines of FIG. 1; FIG. 3 is a right side elevation view of the magazine link for firearm magazines of FIG. 1; FIG. 4 is a front elevation view of the magazine link for firearm magazines of FIG. 1; FIG. 5 is a rear elevation view of the magazine link for firearm magazines of FIG. 1; FIG. 6 is a top plan view of the magazine link for firearm magazines of FIG. 1; FIG. 7 is a bottom plan view of the magazine link for firearm magazines of FIG. 1; and, FIG. 8 is a front, top, right elevation view of the magazine link for firearm magazines of FIG. 1 with a pair of magazines received therein.

The broken lines showing portions of the design in all figures is included for the purpose of illustrating environment and unclaimed features and forms not part of the claimed design.

**1 Claim, 5 Drawing Sheets**





(56)

References Cited

U.S. PATENT DOCUMENTS

D614,721	S	4/2010	Fitzpatrick	
D616,057	S	5/2010	Fitzpatrick	
D620,544	S	7/2010	Fitzpatrick	
D620,545	S	7/2010	Fitzpatrick	
7,798,045	B1	9/2010	Fitzpatrick	
D632,752	S	2/2011	Fitzpatrick et al.	
D633,164	S	2/2011	Fitzpatrick	
D633,589	S	3/2011	Fitzpatrick	
D633,590	S	3/2011	Fitzpatrick	
7,958,660	B2	6/2011	Fitzpatrick et al.	
D642,647	S	8/2011	Fitzpatrick et al.	
8,061,255	B1	11/2011	Boberg	
8,127,480	B1 *	3/2012	McManus et al.	42/49.02
8,322,065	B2 *	12/2012	Faifer	42/90
D680,613	S	4/2013	Fitzpatrick	
2010/0251590	A1	10/2010	Fitzpatrick	
2012/0066950	A1	3/2012	Davidson	
2012/0137564	A1 *	6/2012	Swenson et al.	42/87
2012/0311911	A1 *	12/2012	Nelson	42/90
2012/0317857	A1	12/2012	Fitzpatrick et al.	

OTHER PUBLICATIONS

Brownells AR-15/M16 Tactical Magazine Brownells (Apr. 20, 2010) AR-15/M16 Tactical Magazine; Website [Online] Available Web Site: [http://www.brownells.com/.aspx/pid=24307/Product/AR\\_15\\_M16\\_TACTICAL\\_MAGAZINE](http://www.brownells.com/.aspx/pid=24307/Product/AR_15_M16_TACTICAL_MAGAZINE); Last Update: Unknown; Accessed on: Apr. 20, 2010.

Cheaperthandirt\_com\_2010\_Mag\_AR-15\_223\_Orlite Cheaperthandirt.com (Apr. 20, 2010) Mag AR-15.223 Orlite 30 Round Israeli Shows Field Use; Website [Online] Available Web Site: <http://www.cheaperthandirt.com/MAG105-1.html>; Last Update: Unknown; Accessed on: Apr. 20, 2010.

EMA Tactical\_CDMAG\_Countdown\_Magazine EMA Tactical (Apr. 20, 2010) CDMAG Countdown Magazine; Website [Online] Available Web Site: <http://www.ematactical.com/viewProduct.asp?ID=278&catID=8>; Last Update: Unknown, Accessed on: Apr. 20, 2010.

Foltz (Feb. 21, 2007) 5.56mm 30 Round Magazine Improvement Programs; PDF [Online] Available Web Site: <http://www.dtic.mil/ndia/2006smallarms/foltz.pdf> Last Update: Feb. 21, 2007; Accessed on: Apr. 20, 2010.

Gunbroker\_com\_2010\_Eagle\_International\_223\_Polymer\_Magazine Gunbroker.com (Apr. 20, 2010) Eagle International .223 Polymer Magazine 223; Website [Online] Available Web Site: <http://www.gunbroker.com/Auction/ViewItem.aspx?Item=164602069#PIC>; Last Update: Unknown; Accessed on: Apr. 20, 2010.

HKParts.net\_2010\_HK\_G36\_30\_Round\_Magazine HKParts.net (Apr. 20, 2010) HK G36 30 Round Magazine; Website [Online] Available Web Site: <http://www.hkparts.net/shop/pc/HK-G36-30-Round-Mag-Fits-G36-G36K-G36C-Converted-SL8-s-182p624.htm>; Last Update: Unknown; Accessed on: Apr. 20, 2010.

HKParts\_net\_2010\_30\_Round\_HK\_416\_KCI\_Steel\_556\_Magazine HKParts.net (Apr. 20, 2010) 30 Round HK 416 KCI Steel .556 Magazine; Website [Online] Available Web Site: <http://www.hkparts.net/shop/pc/30-Round-HK-416-KCI-Steel-556-Magazine-64p982.htm>; Last Update: Unknown; Accessed on: Apr. 20, 2010.

HKParts\_net\_2010\_SL8\_20\_Round\_Single\_Stack\_Magazine HK Parts.net (May 7, 2010) SL8 20 Round Single Stack Magazine; Website [Online] Available Web Site: <http://www.hkparts.net/shop/pc/SL8-20-Round-Single-Stack-Magazine-182p805.htm>; Last Update: Jul. 6, 2010; Accessed on May 4, 2012.

Lancer\_Systems\_2012\_AWM\_Magazine Lancer Systems (2012) L5 AWM Magazine; Website [Online] Available Web Site: [http://www.lancer-systems.com/L5\\_AWM.html](http://www.lancer-systems.com/L5_AWM.html); Last Update: Unknown; Accessed on: May 4, 2012.

Lancer\_Systems\_2010\_L5\_Translucent\_Magazine Lancer Systems (Apr. 20, 2010) L5 Translucent Magazine; Website [Online] Available Web Site: [http://www.lancer-systems.com/L5\\_2010\\_30.html](http://www.lancer-systems.com/L5_2010_30.html); Last Update: Unknown; Accessed on: Apr. 20, 2012.

Lancer\_Systems\_2010\_L5\_Translucent\_Magazine\_20-30\_Round\_Lancer\_Systems (Apr. 16, 2010) L5 Translucent Magazine 2- & 30 Round Magazines; Website [Online] Available Web Site: [http://www.lancer-systems.com/L5\\_2010\\_30.html](http://www.lancer-systems.com/L5_2010_30.html); Last Update: Nov. 14, 2010; Accessed on: May 4, 2012.

Magpul\_2010\_PMAG\_Magazines Magpul (Jan. 3, 2010) PMAG Magazines; Website [Online] Available Web Site: [http://store.magpul.com/prod\\_detail\\_list/2](http://store.magpul.com/prod_detail_list/2) Last Update: Dec. 2, 2010 Accessed on: May 4, 2012.

Remtek\_com\_1999\_Steyr\_AUG\_Magazine\_Group Remtek.com (Oct. 4, 1999) Steyr AUG Magazine Group; Website [Online] Available Web Site: <http://www.remtek.com/arms/steyr/aug/specs/magazine/magazine.htm> Last Update: Apr. 7, 2009; Accessed on: May 4, 2012.

Tangodown\_2010\_ARC-L\_Magazine TangoDown (Apr. 20, 2010) ARC-L Magazine; Website [Online] Available Web Site: [http://tangodown.com/shop/product\\_info.php?products\\_id=126](http://tangodown.com/shop/product_info.php?products_id=126); Last Update: Unknown, Accessed on: Apr. 20, 2010.

ThermoldMagazines\_com\_2010\_Magazines Thermoldmagazines.com (Apr. 20, 2010) Magazines; Website [Online] Available Web Site: <http://www.thermoldmagazines.com/magazines.html>; Last Update: Unknown; Accessed on: Apr. 20, 2010.

ThermoldMagazines\_com\_2012\_M-16AR-M15-30-Magazines Thermoldmagazines.com (2012) M-16/AR-15/30-Magazine; Website [Online] Available Web Site: <http://www.thermoldmagazines.com/collections/magazines-accessories/products/m-16-ar-15-30-magazine>; Last Update: Unknown; Accessed on: May 4, 2012.

Troyind\_com\_2010\_Troy\_BattleMag Troyind.com (Apr. 20, 2010) Troy BattleMag; Website [Online] Available Web Site: [http://store.troyind.com/Troy\\_BattleMag\\_p/smag-sin-00bt-00.htm](http://store.troyind.com/Troy_BattleMag_p/smag-sin-00bt-00.htm); Last Update: Unknown; Accessed on: Apr. 20, 2010.

Design U.S. Appl. No. 29/354,001, filed Jan. 18, 2010, "Firearm Magazine".

Design U.S. Appl. No. 29/354,005, filed Jan. 18, 2010, "Large Capacity Firearm Magazine".

Design U.S. Appl. No. 29/354,007, filed Jan. 18, 2010, "Small Capacity Firearm Magazine".

Design U.S. Appl. No. 29/354,008, filed Jan. 18, 2010, "Medium Capacity Firearm Magazine".

\* cited by examiner

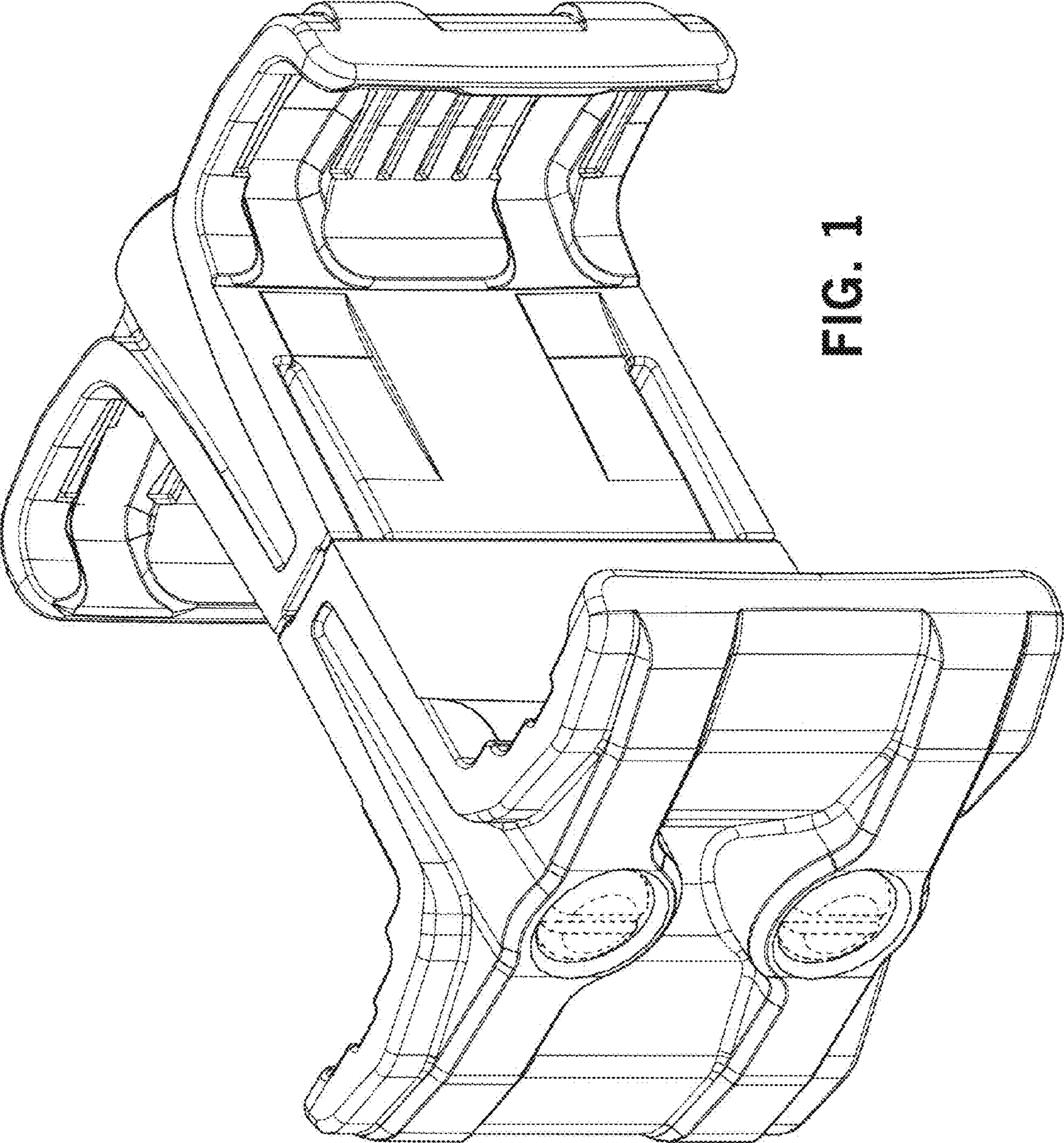


FIG. 1



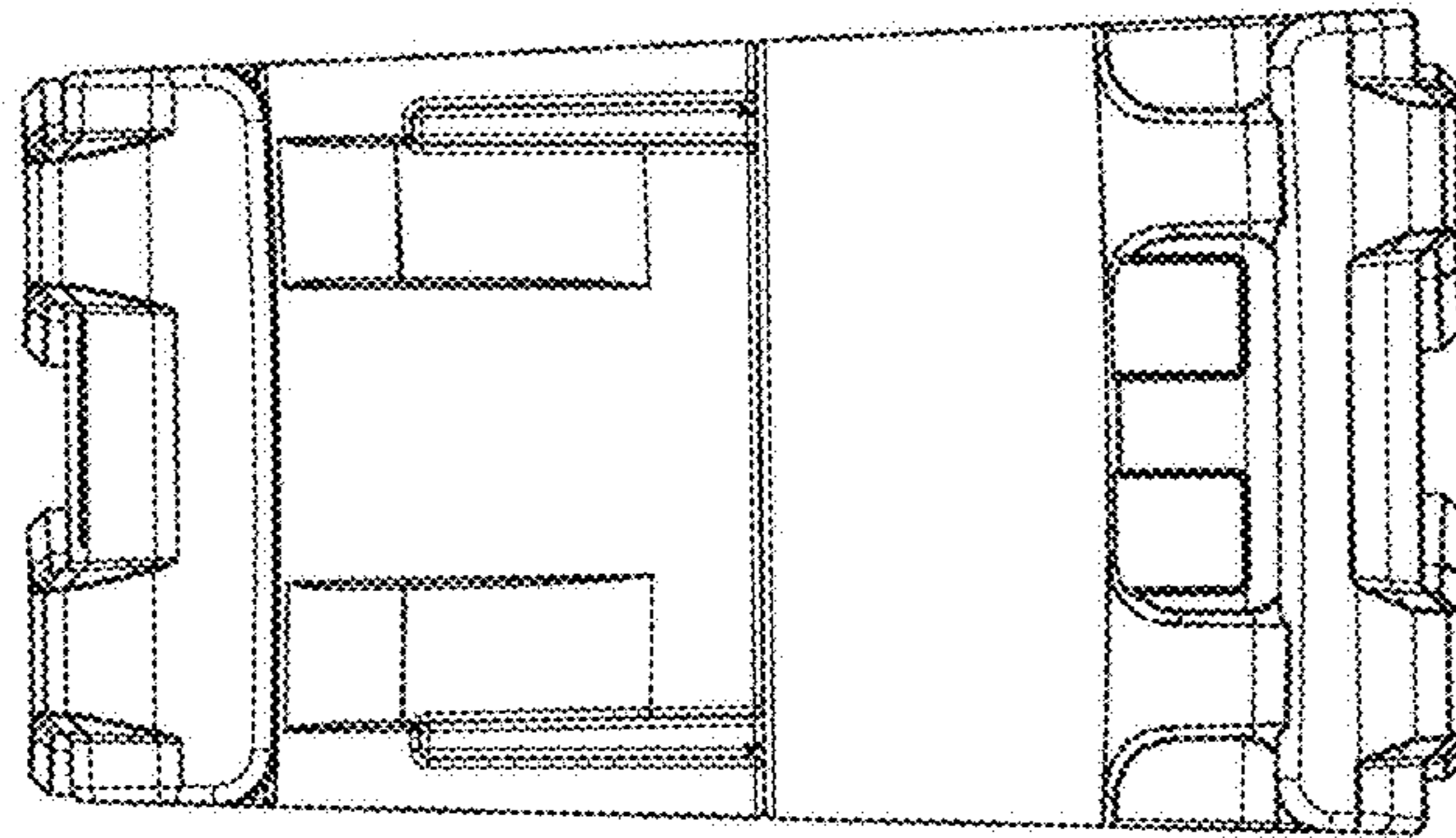


FIG. 2

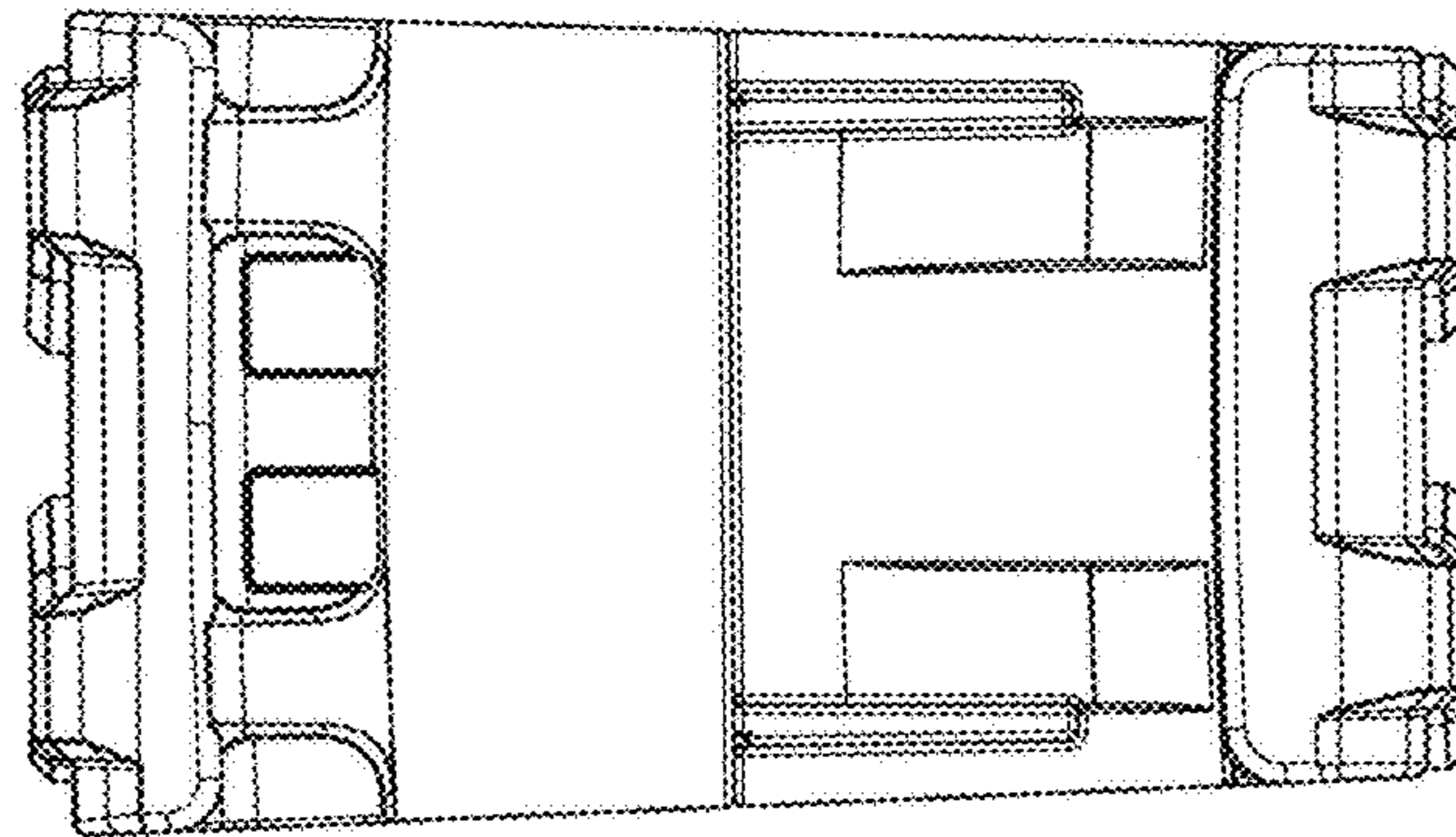


FIG. 3

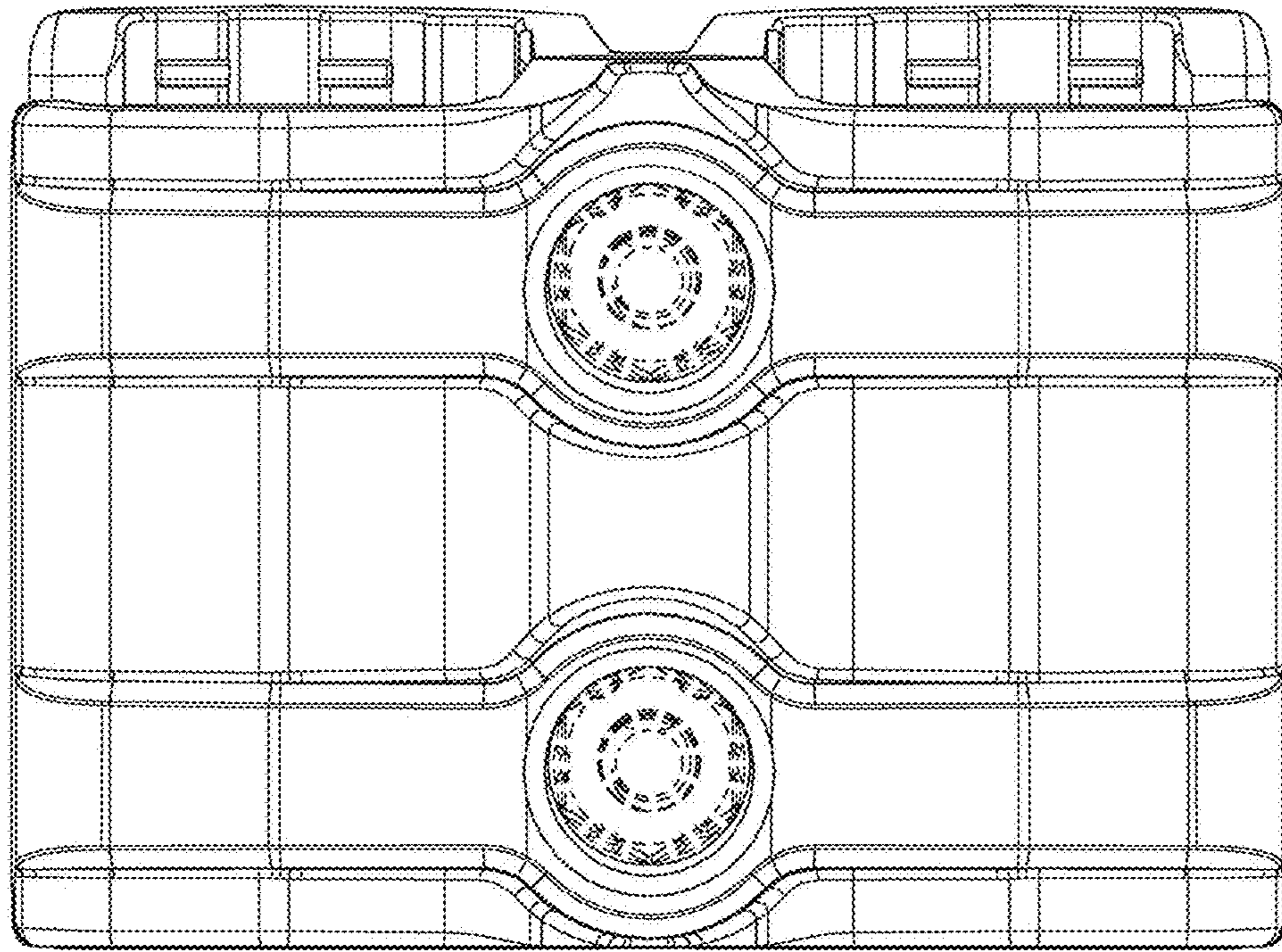


FIG. 4

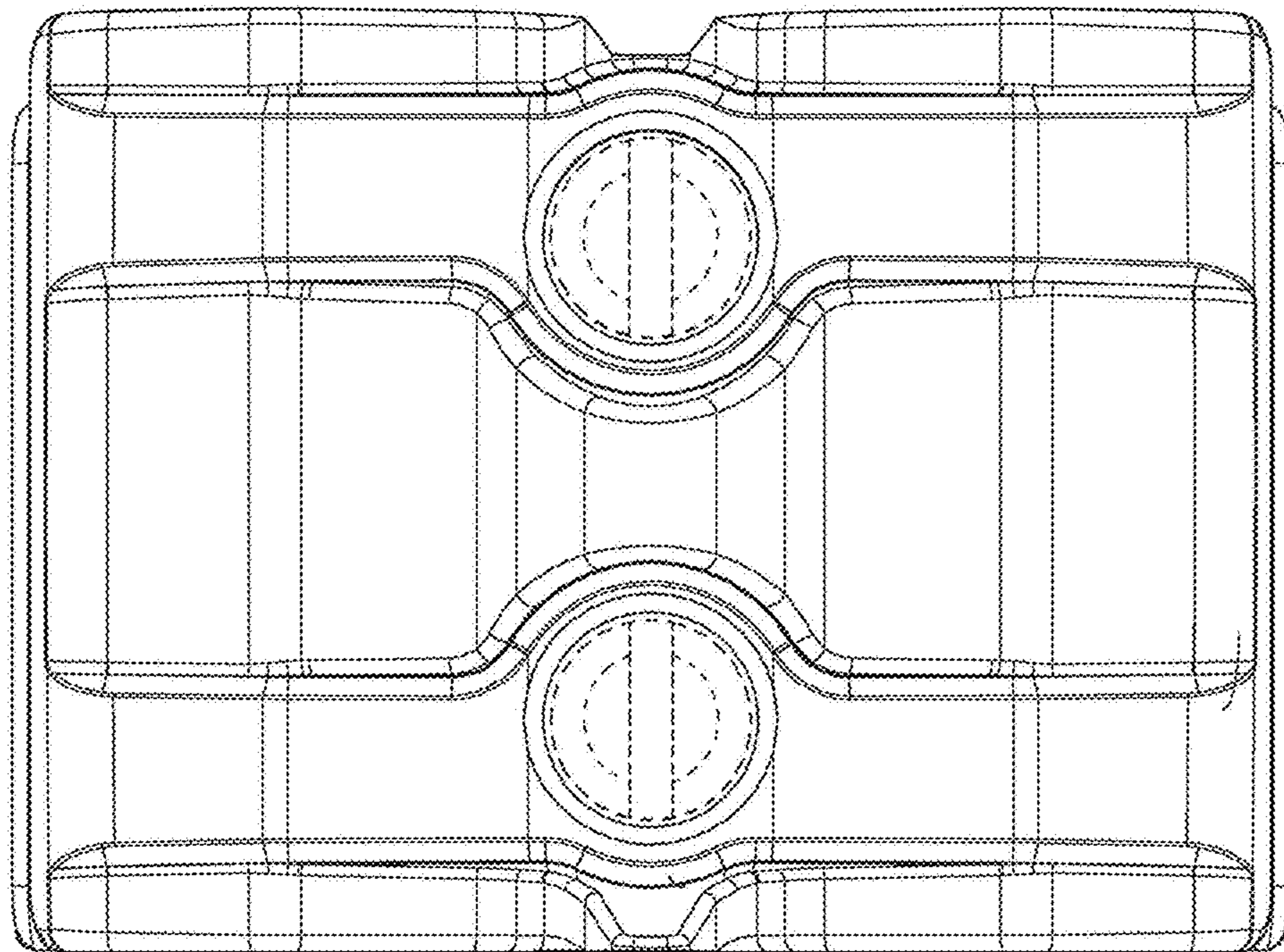


FIG. 5



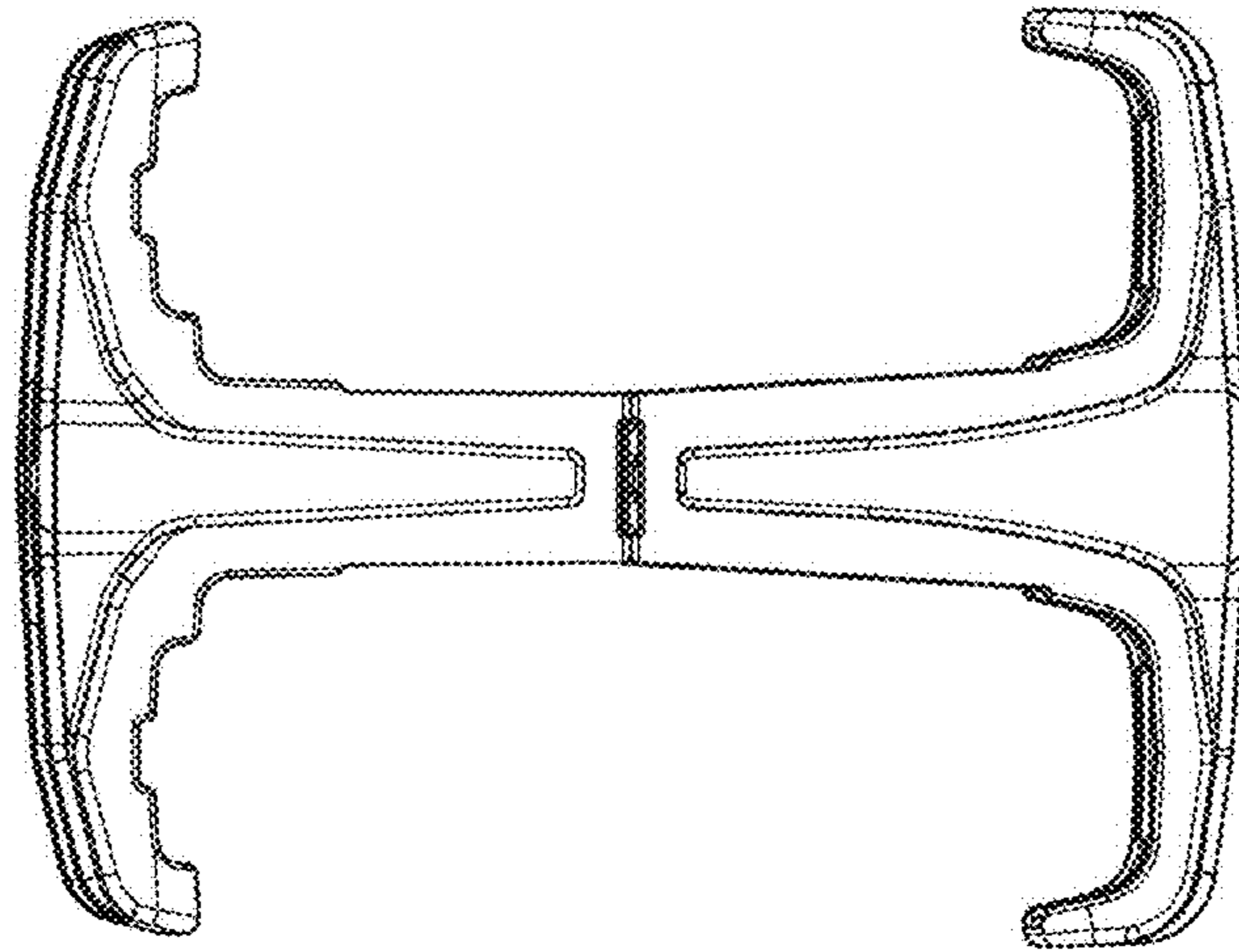


FIG. 6

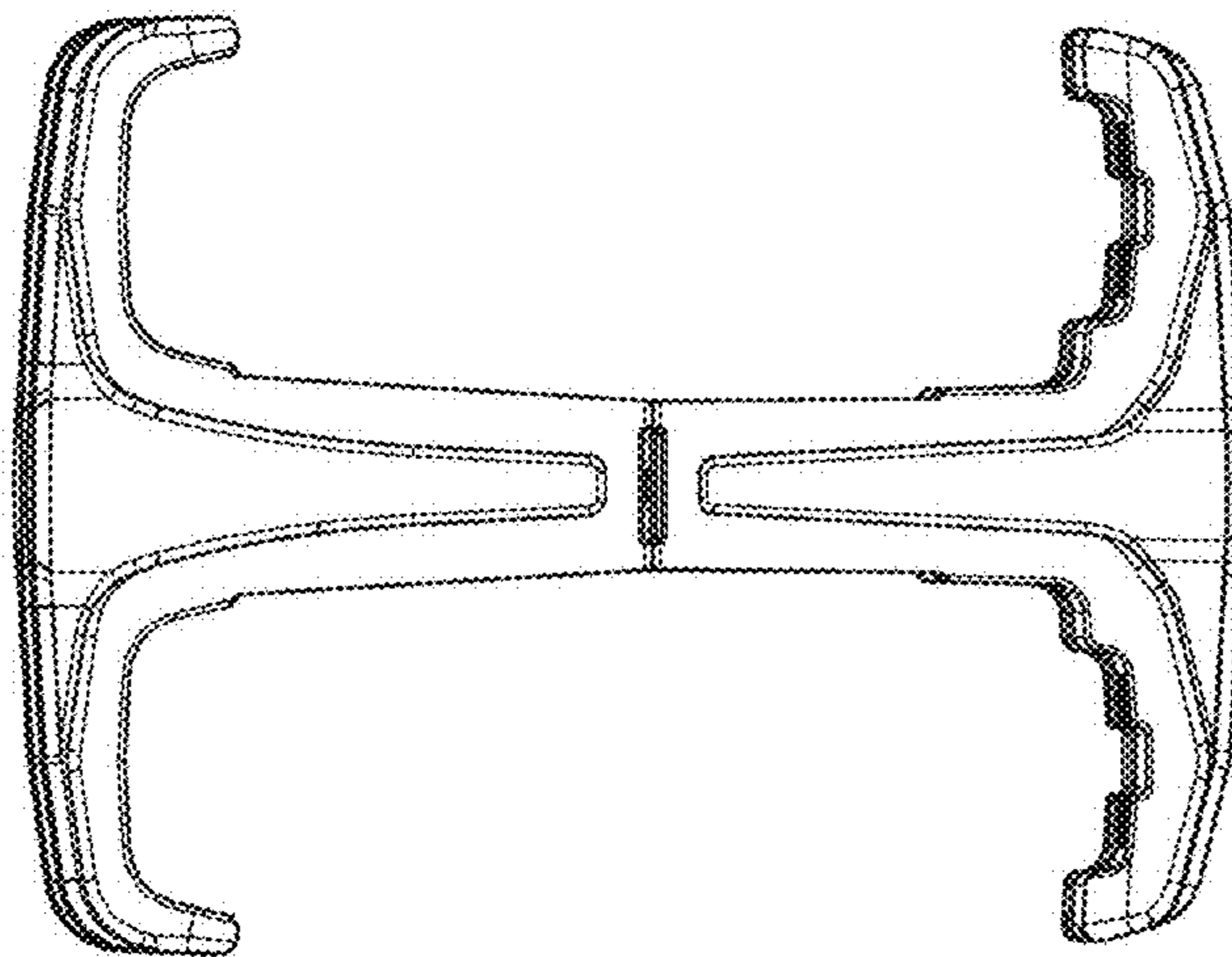


FIG. 7

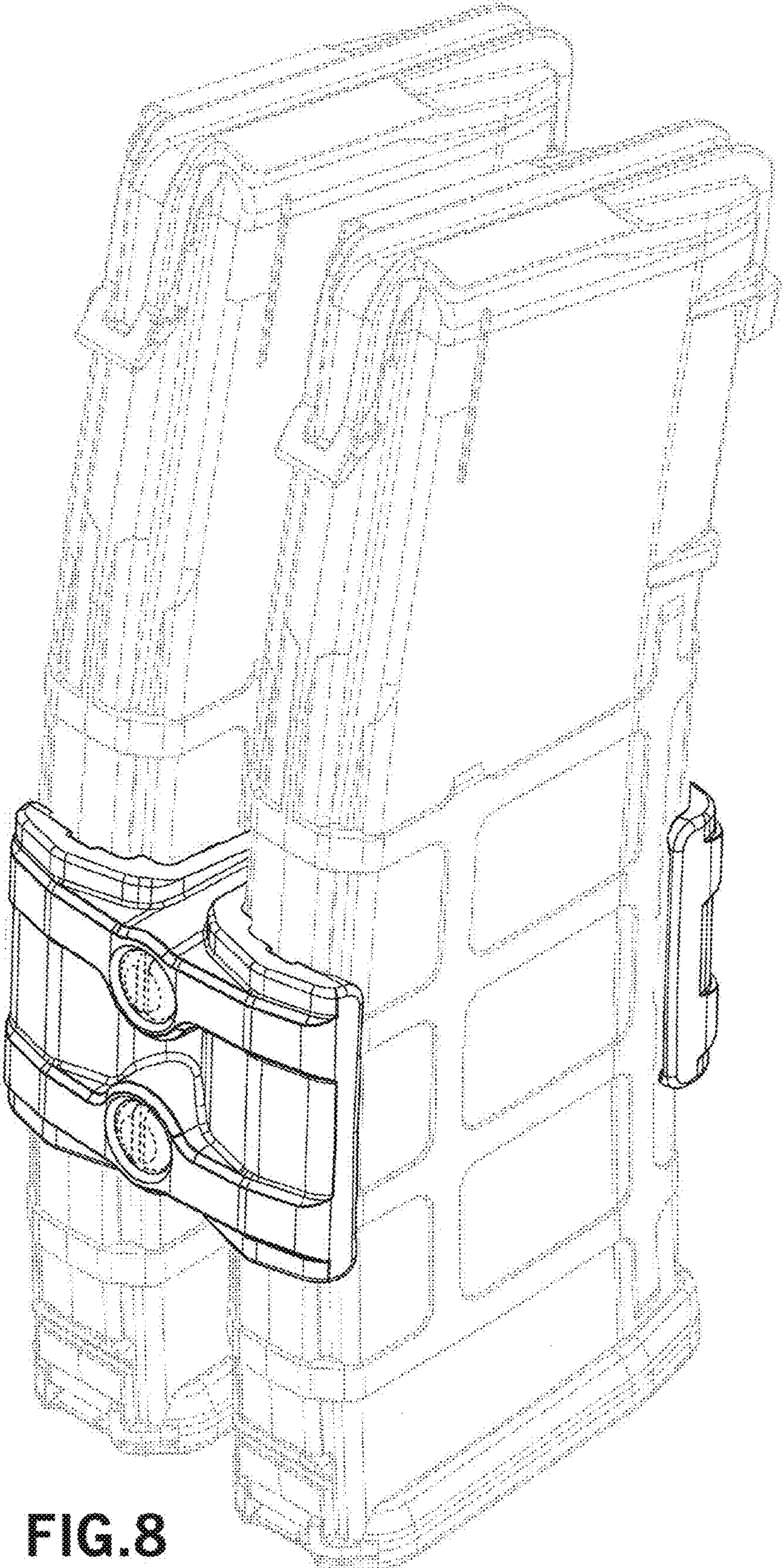


FIG.8