



US00D689580S

(12) **United States Design Patent**
Khoshnood et al.

(10) **Patent No.:** **US D689,580 S**

(45) **Date of Patent:** **** Sep. 10, 2013**

(54) **ARCHERY BOW STABILIZING AND
BALANCING DEVICE**

(76) Inventors: **Bahram Khoshnood**, Alpharetta, GA
(US); **David Lee Potts**, New
Philadelphia, OH (US)

(**) Term: **14 Years**

(21) Appl. No.: **29/395,627**

(22) Filed: **Mar. 5, 2012**

(51) **LOC (9) Cl.** **22-01**

(52) **U.S. Cl.**
USPC **D22/107**

(58) **Field of Classification Search**
USPC D22/107; 124/86-92
See application file for complete search history.

(56) **References Cited**

U.S. PATENT DOCUMENTS

D226,429	S *	3/1973	Christen	D22/107
6,382,201	B1 *	5/2002	McPherson et al.	124/89
7,055,276	B2 *	6/2006	McPherson	42/1.06
7,213,590	B2 *	5/2007	Pellerite	124/89
7,331,886	B2 *	2/2008	Morris et al.	473/578

8,038,133	B2 *	10/2011	McPherson	267/140.4
D682,969	S *	5/2013	Khoshnood et al.	D22/107
D682,970	S *	5/2013	Khoshnood et al.	D22/107
D682,971	S *	5/2013	Khoshnood et al.	D22/107
2012/0125308	A1 *	5/2012	Khoshnood et al.	124/89
2012/0125309	A1 *	5/2012	Khoshnood	124/89
2012/0125310	A1 *	5/2012	Khoshnood	124/89

* cited by examiner

Primary Examiner — Michael A Pratt

(74) *Attorney, Agent, or Firm* — Rodgers & Rodgers

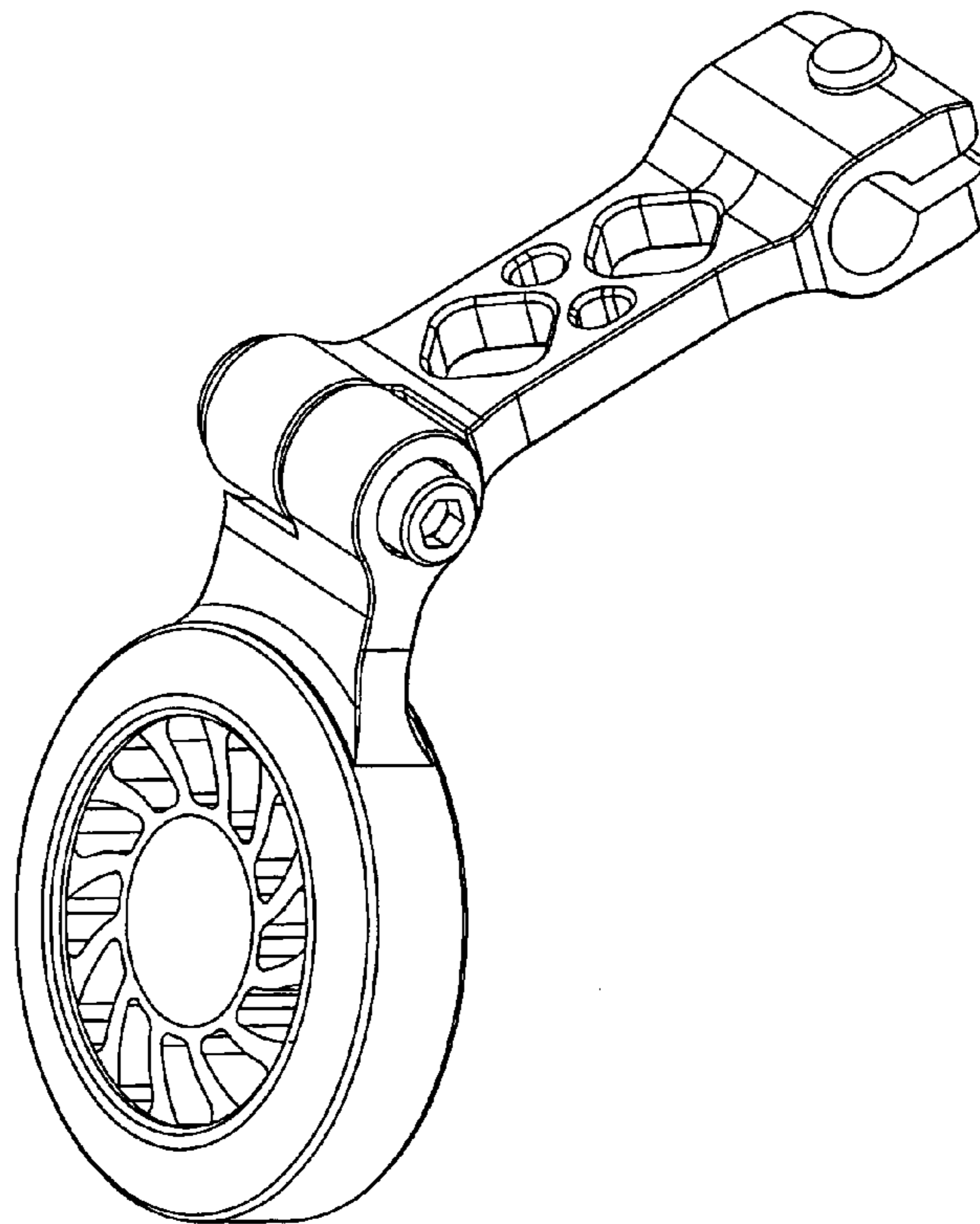
(57) **CLAIM**

The ornamental design for an archery bow stabilizing and balancing device, as shown and described.

DESCRIPTION

FIG. 1 is a perspective view of an archery bow stabilizing and balancing device showing our new design;
FIG. 2 is a front elevational view thereof;
FIG. 3 is a rear elevational view thereof;
FIG. 4 is a top plan view thereof;
FIG. 5 is bottom plan view thereof;
FIG. 6 is a left-side elevational view thereof; and,
FIG. 7 is a right-side elevational view thereof.

1 Claim, 7 Drawing Sheets



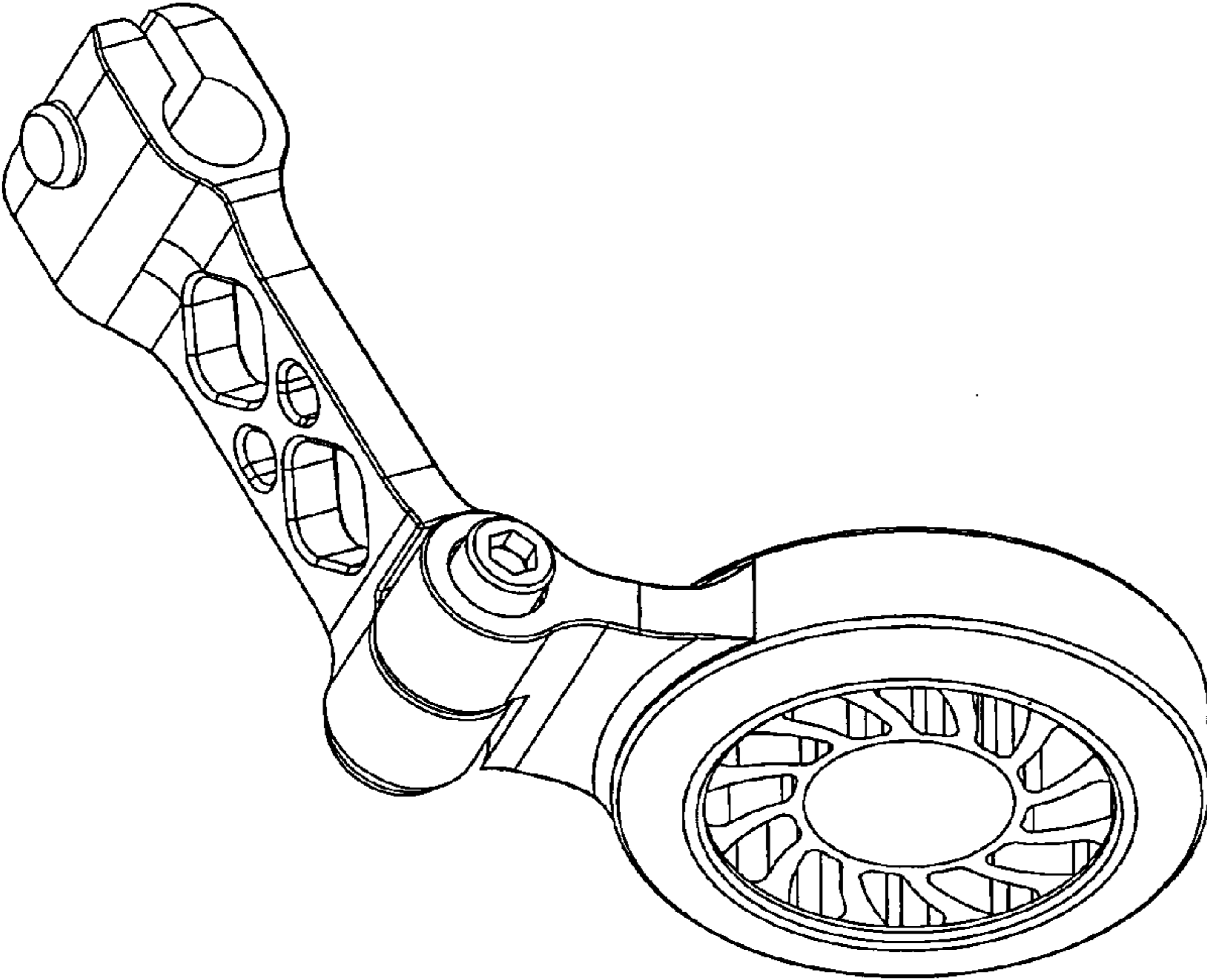


FIG.1

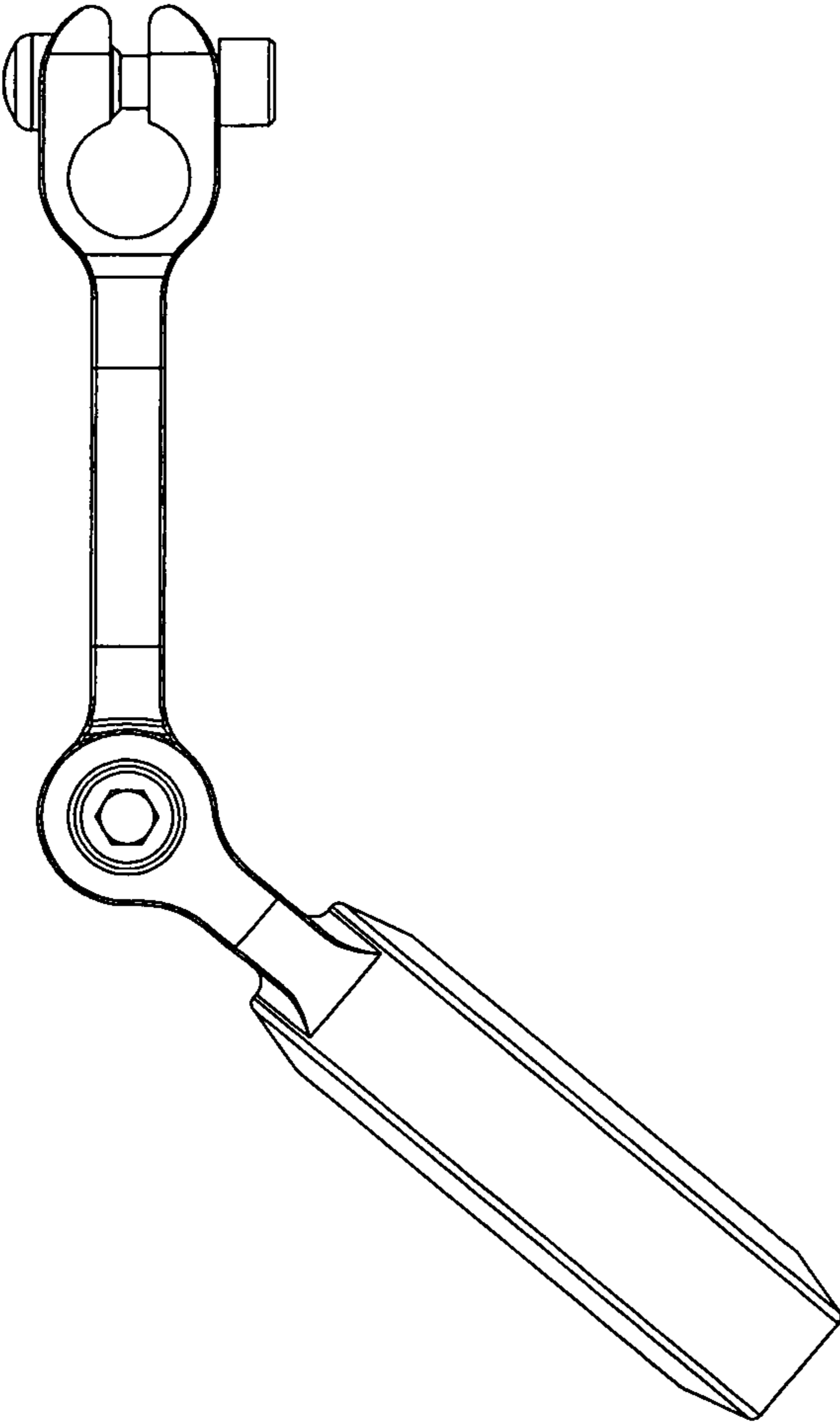


FIG.2

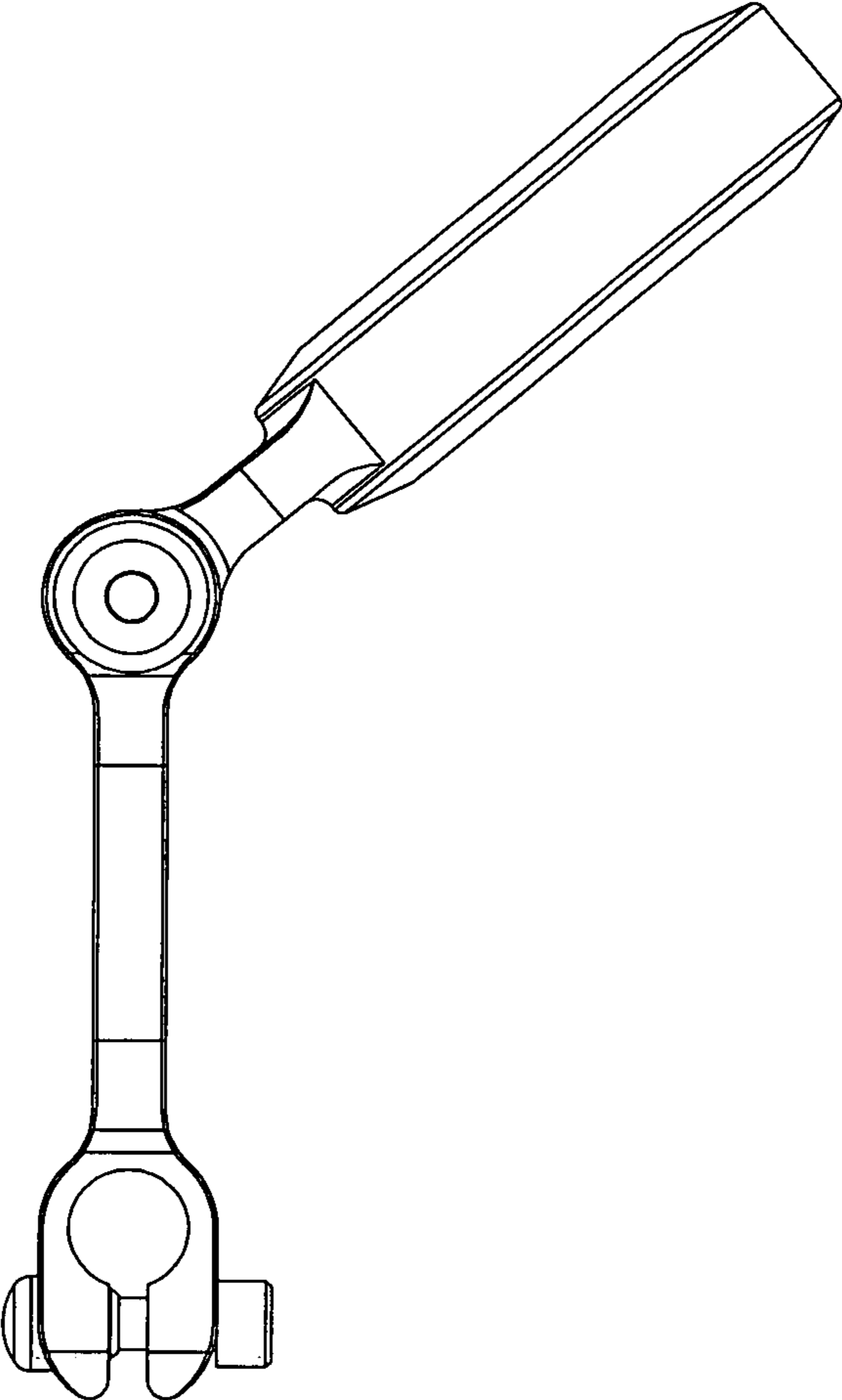


FIG.3

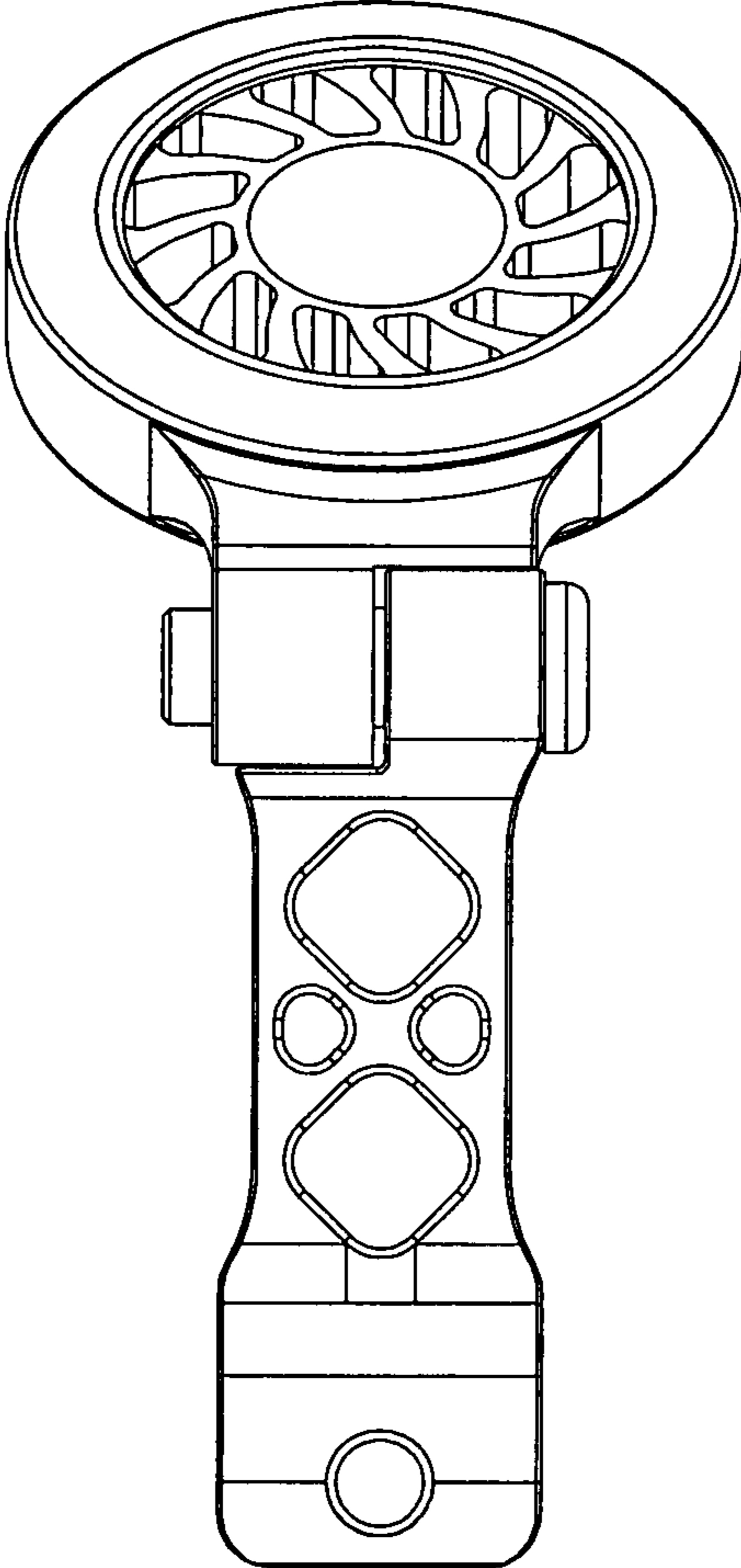


FIG.4

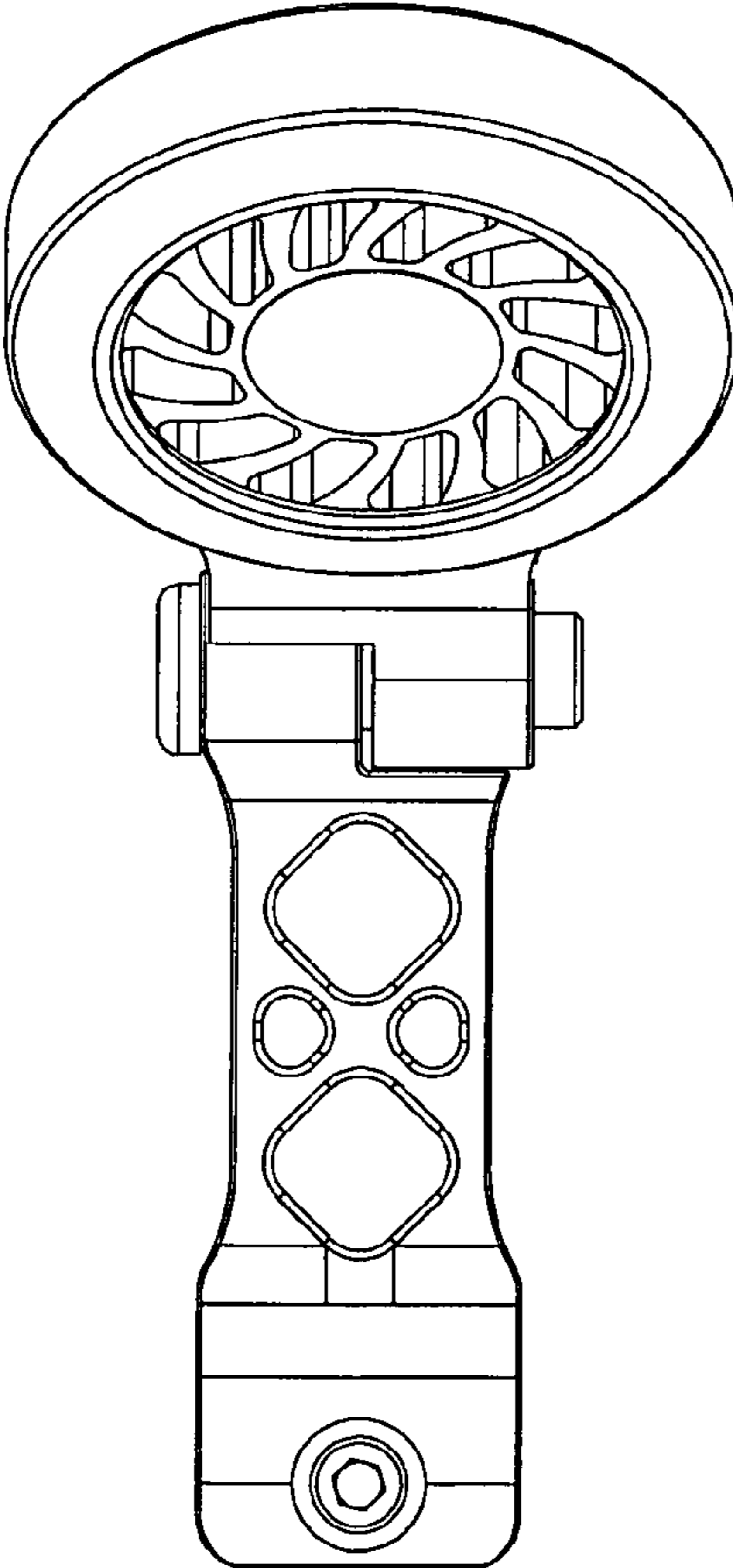


FIG.5

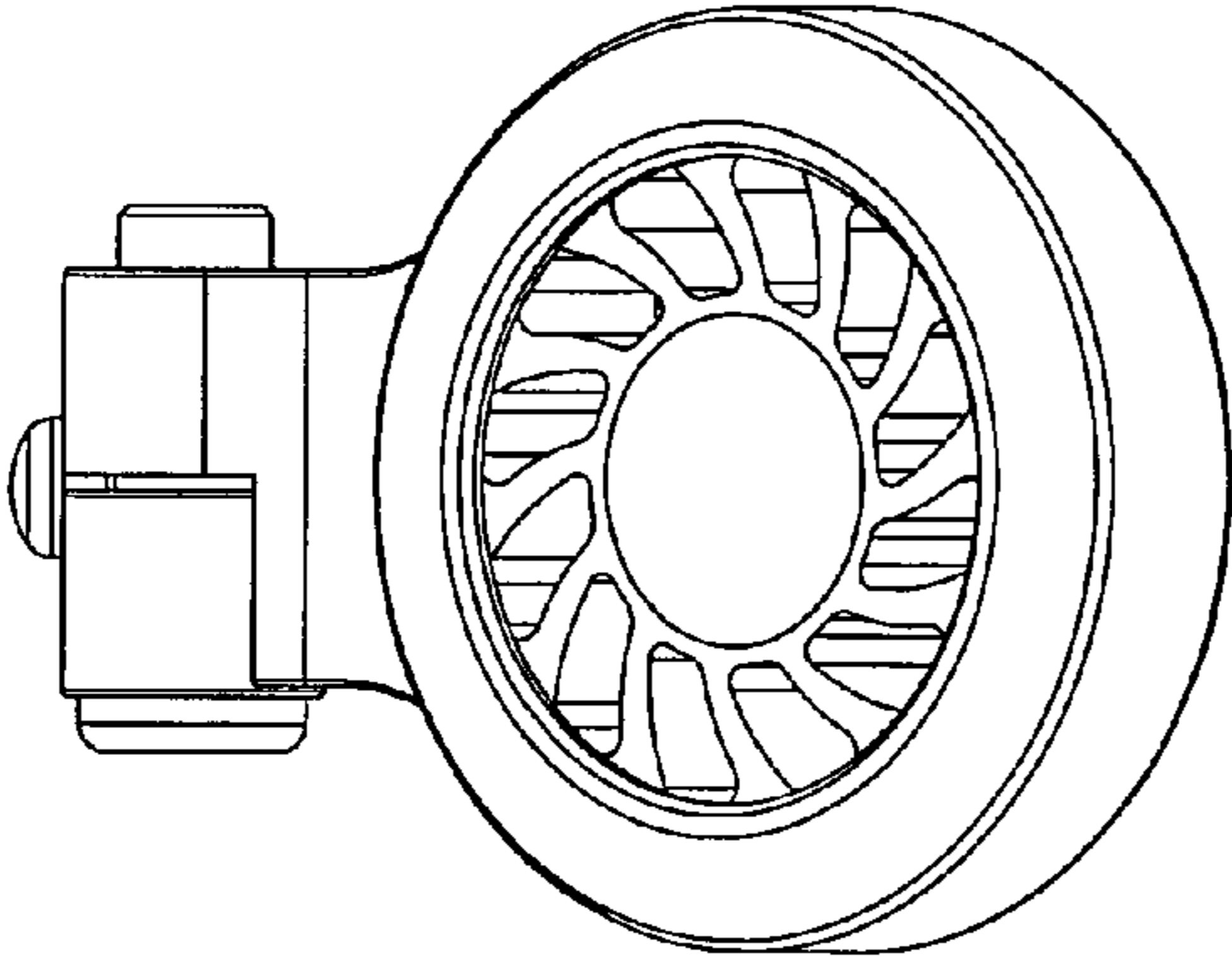


FIG.6

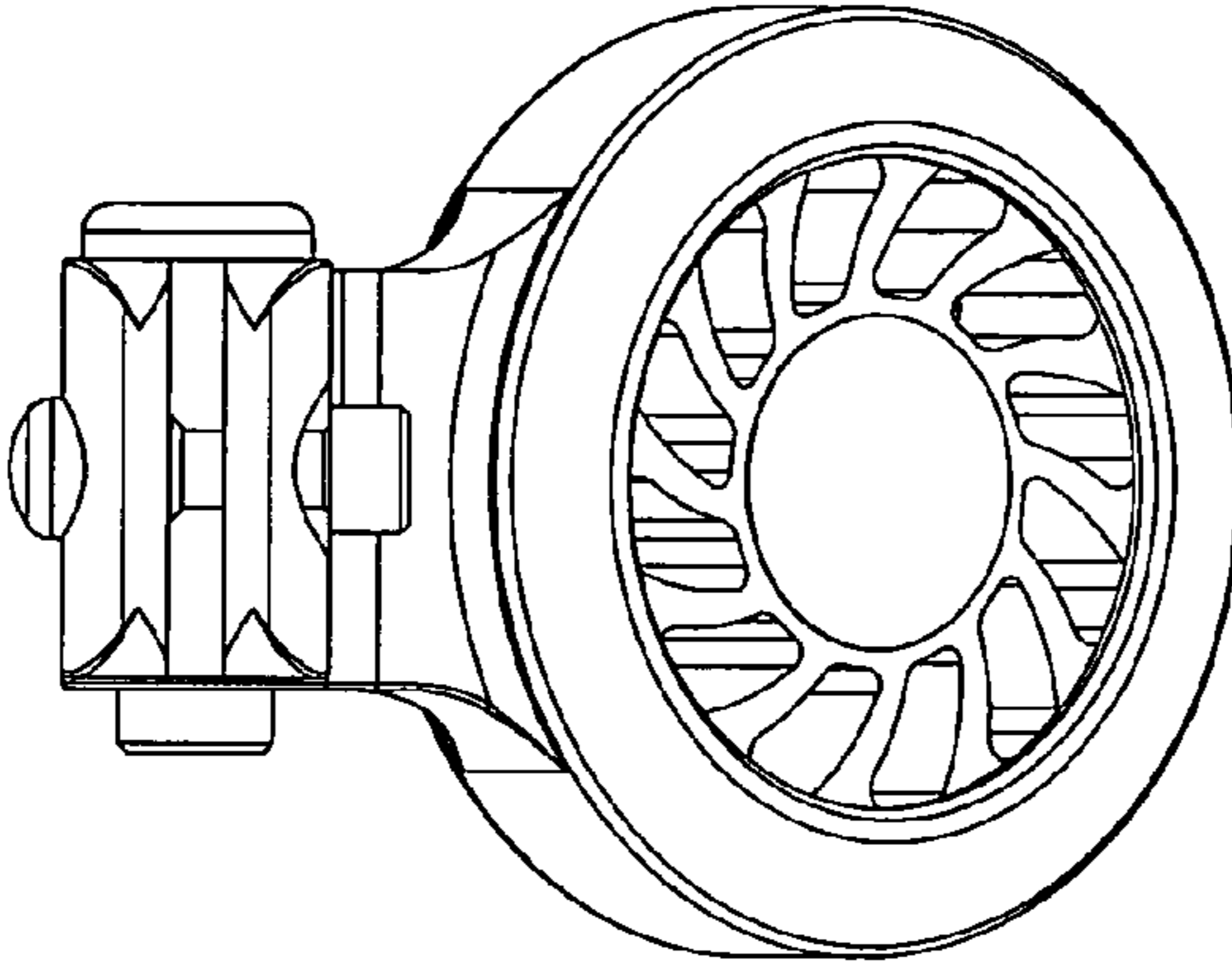


FIG.7