



US00D689578S

(12) **United States Design Patent**  
**Leishman et al.**

(10) **Patent No.:** **US D689,578 S**

(45) **Date of Patent:** **\*\* Sep. 10, 2013**

(54) **MOBILE ZIPLINE PLATFORM**

(76) Inventors: **Rod Leishman**, Hyde Park, UT (US);  
**Tyler Storey**, Hyde Park, UT (US)

(\*\*) Term: **14 Years**

(21) Appl. No.: **29/407,640**

(22) Filed: **Nov. 30, 2011**

(51) **LOC (9) Cl.** ..... **21-06**

(52) **U.S. Cl.**  
USPC ..... **D21/814**

(58) **Field of Classification Search**  
USPC ..... D21/811, 814; D25/62-64; 182/1,  
182/2.5, 116, 127

See application file for complete search history.

(56) **References Cited**

**U.S. PATENT DOCUMENTS**

D146,418 S	2/1947	Olivarez	
D154,823 S	8/1949	Wwagner et al.	
D177,858 S	5/1956	Phelps	
3,451,504 A *	6/1969	Logan	182/1
D255,138 S *	5/1980	Sermersheim	D21/814
5,087,054 A *	2/1992	O'Neil	273/384
5,111,907 A *	5/1992	Kishi	182/69.4
5,295,555 A *	3/1994	Strange	182/2.5
D444,200 S *	6/2001	Chandler	D21/814
6,981,572 B2	1/2006	Hedley	
D519,647 S *	4/2006	Watson	D25/62

7,381,137 B2	6/2008	Steele et al.	
D619,186 S *	7/2010	Strall	D21/818
D629,861 S *	12/2010	Cuttell et al.	D21/821
2006/0169536 A1	8/2006	Davis	

\* cited by examiner

*Primary Examiner* — Mitchell Siegel

(74) *Attorney, Agent, or Firm* — QuickPatents; Kevin Prince

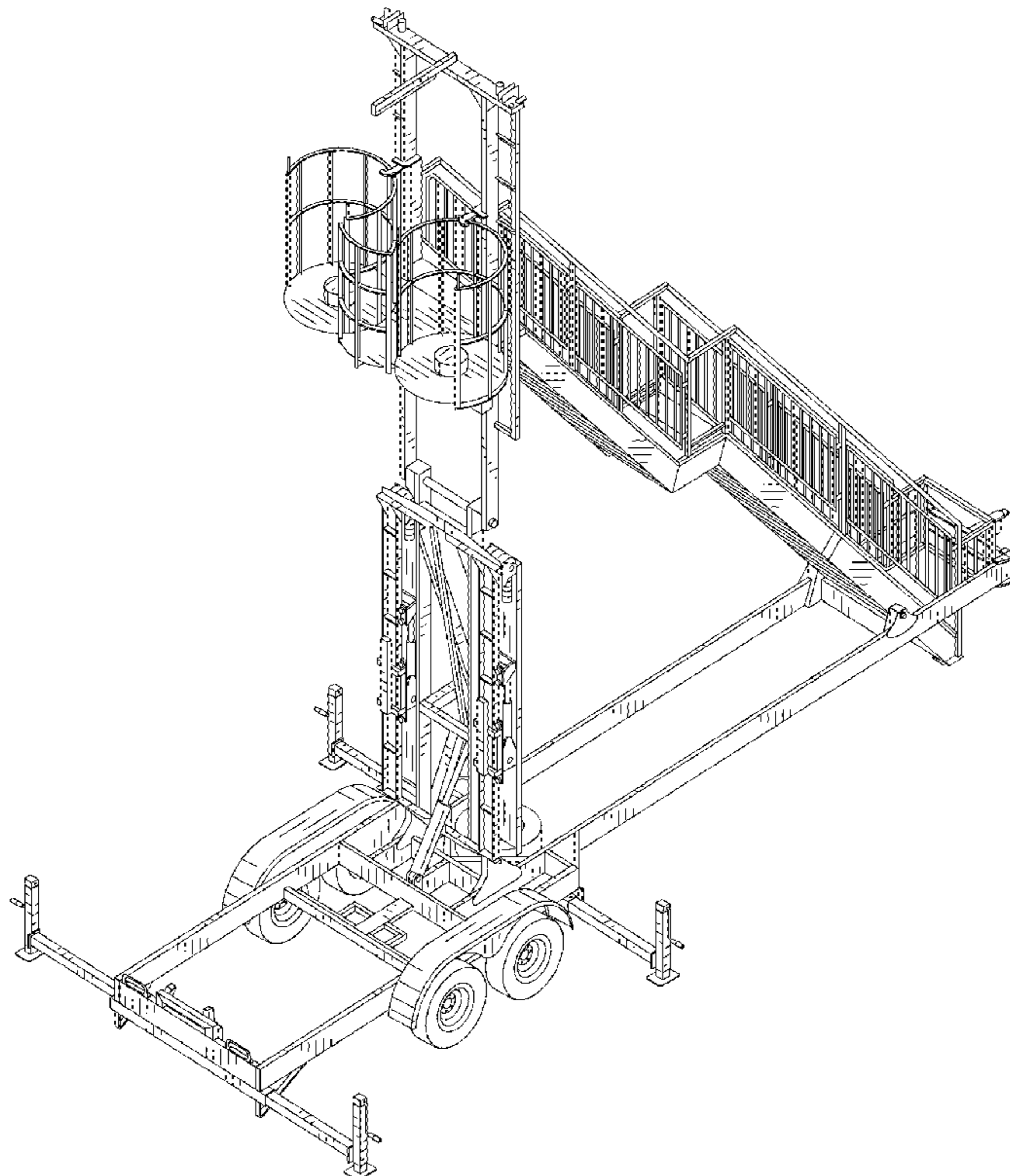
(57) **CLAIM**

We claim the ornamental design for a mobile zipline platform, as shown and described.

**DESCRIPTION**

FIG. 1 is a perspective view of a mobile zipline platform, showing our new design in a raised position;  
 FIG. 2 is a top plan view thereof;  
 FIG. 3 is a front elevational view thereof;  
 FIG. 4 is a rear elevational view thereof;  
 FIG. 5 is a left-side elevational view thereof, the right-side elevational view being a mirror image thereof;  
 FIG. 6 is a perspective view being shown in an alternate position;  
 FIG. 7 is a top plan view thereof;  
 FIG. 8 is a front elevational view thereof;  
 FIG. 9 is a rear elevational view thereof; and,  
 FIG. 10 is a left-side elevational view thereof, the right-side elevational view being a mirror image thereof.

**1 Claim, 7 Drawing Sheets**



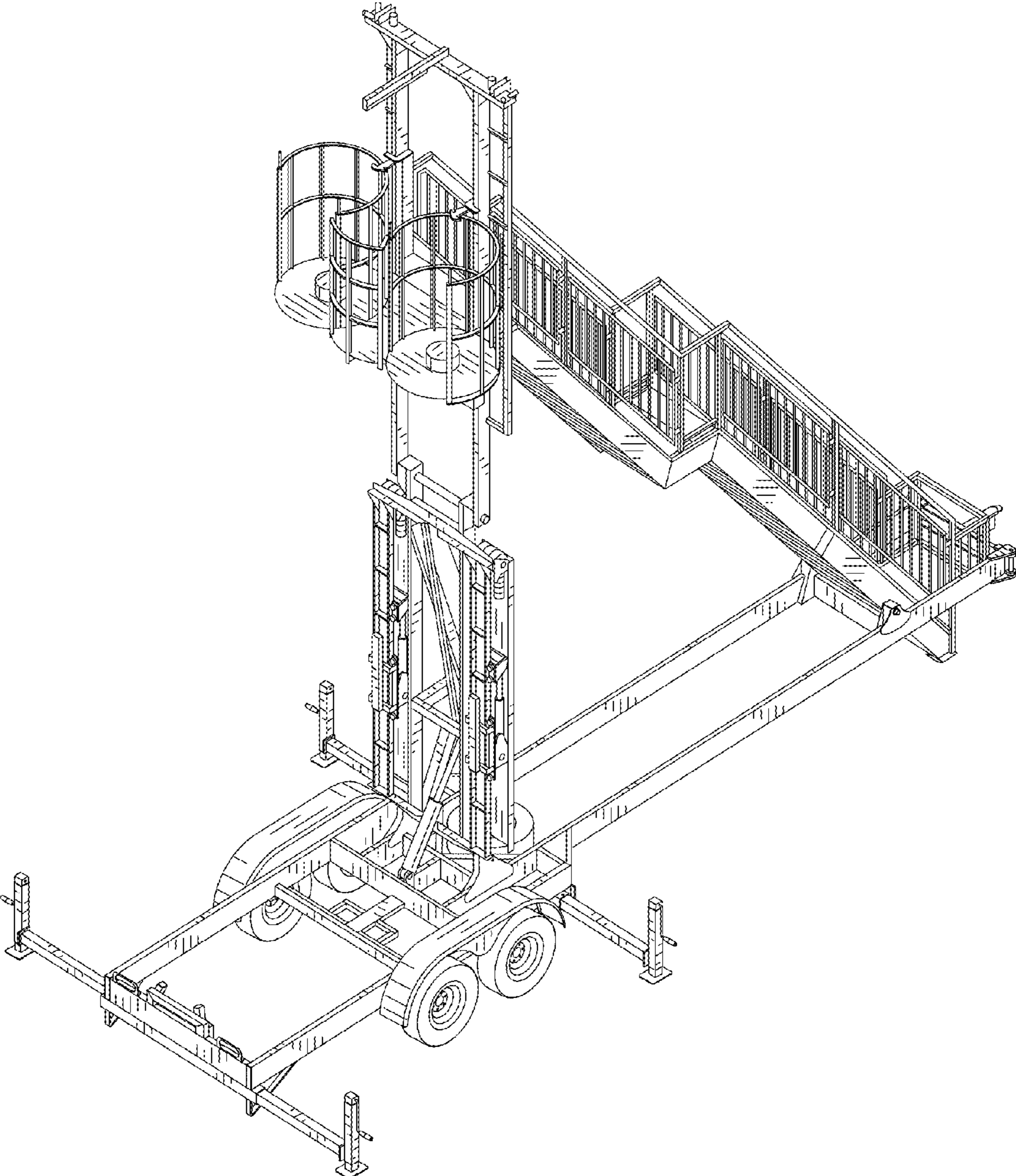


FIG. 1

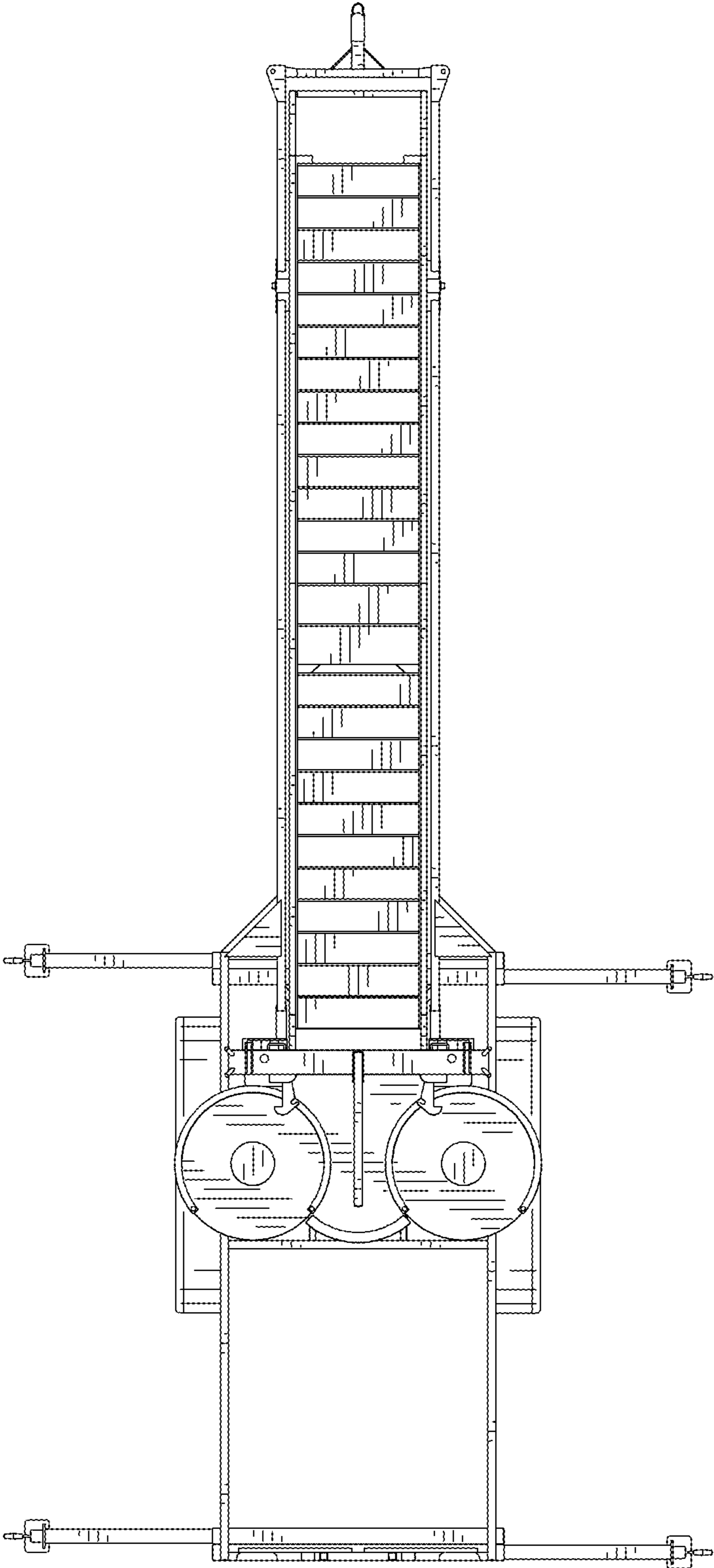


FIG. 2

FIG. 4

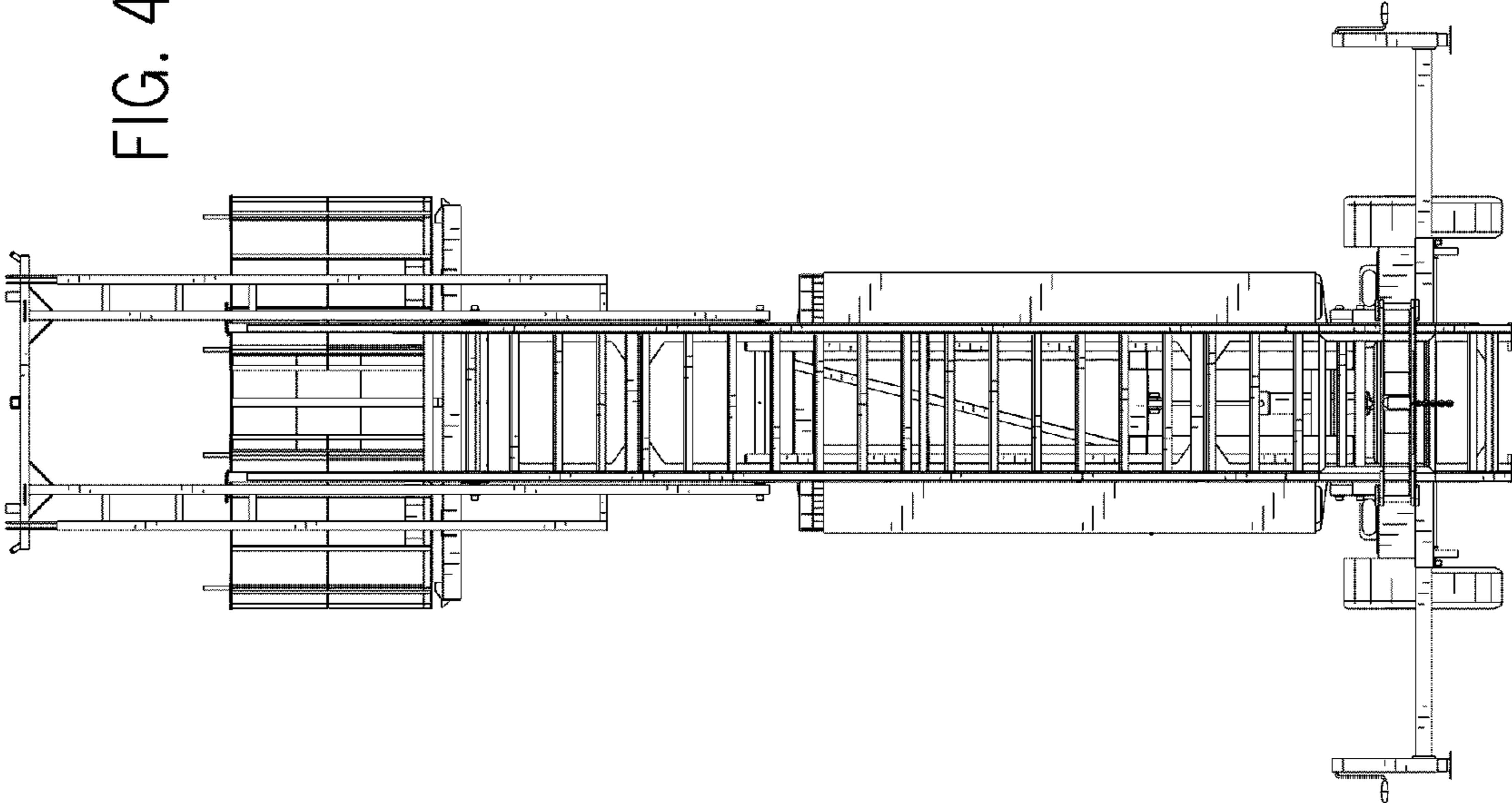
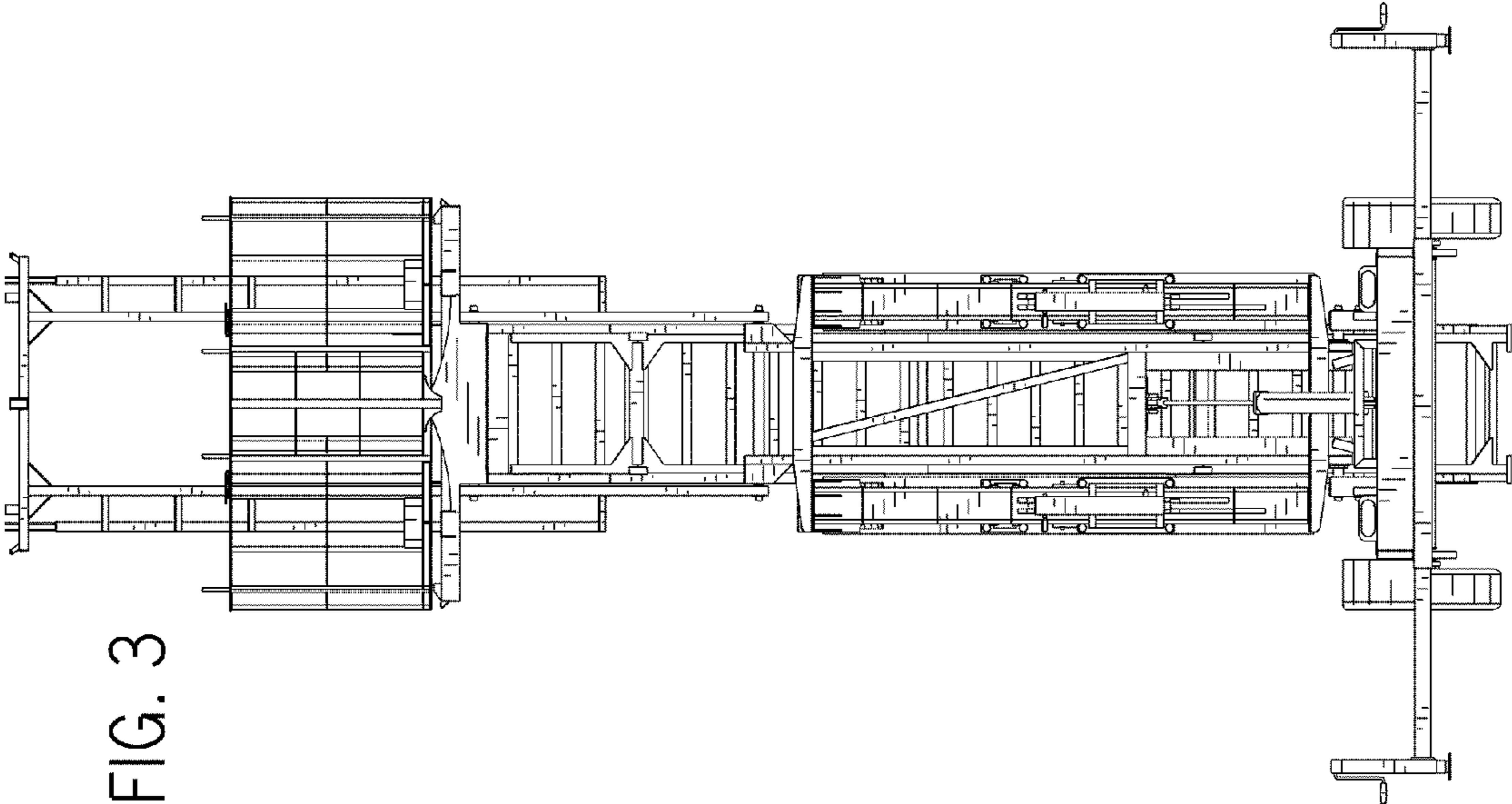


FIG. 3



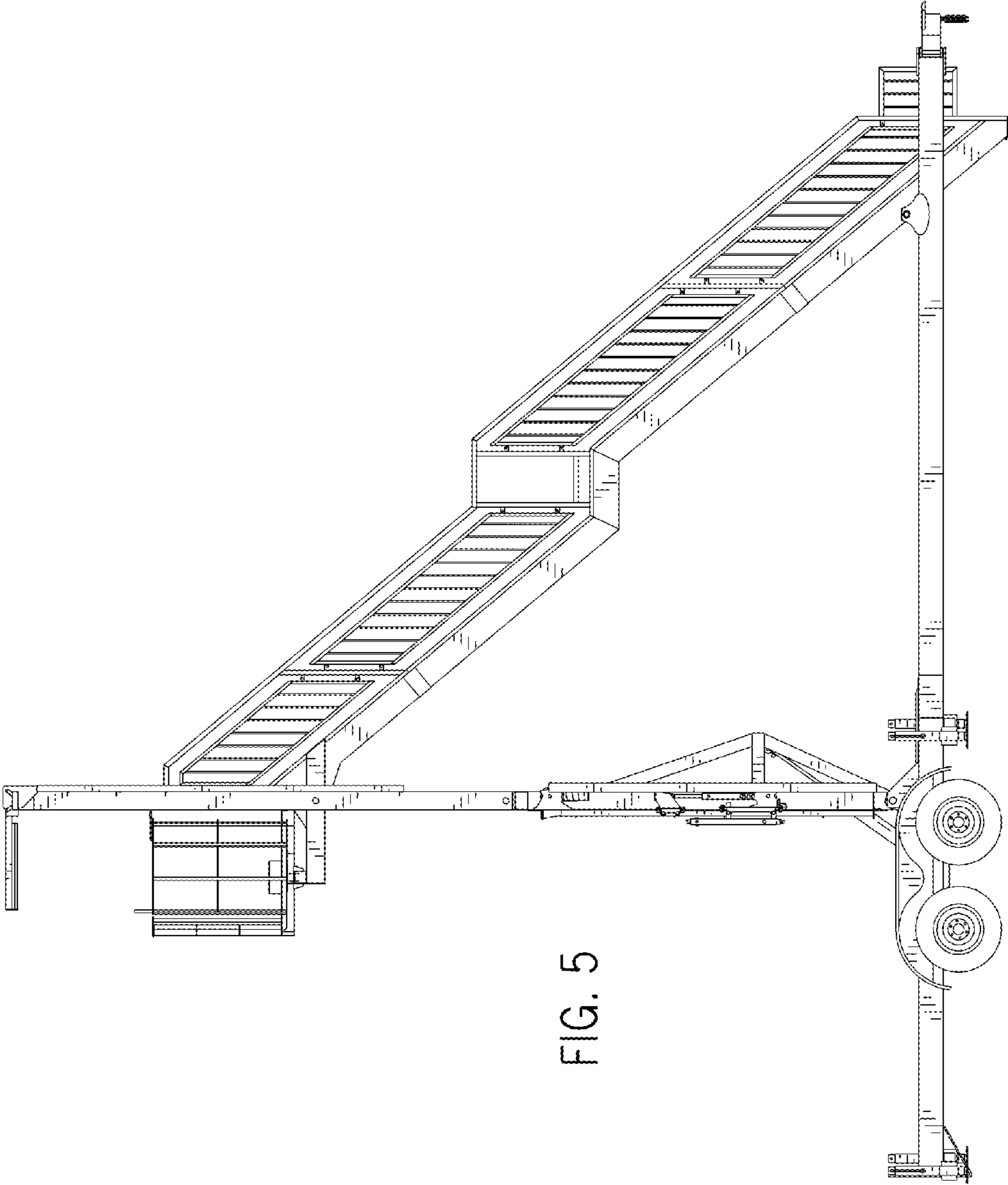


FIG. 5

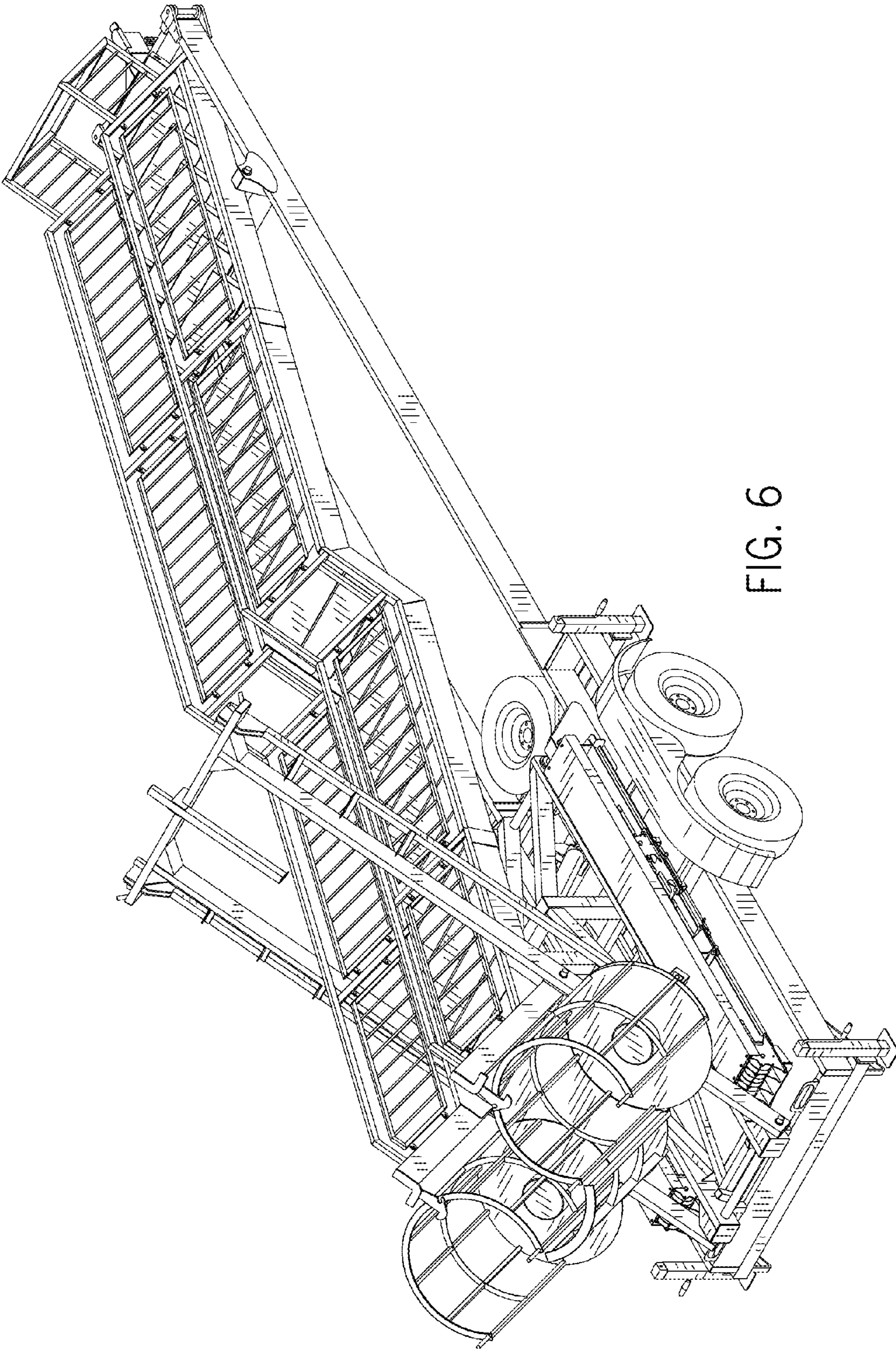


FIG. 6

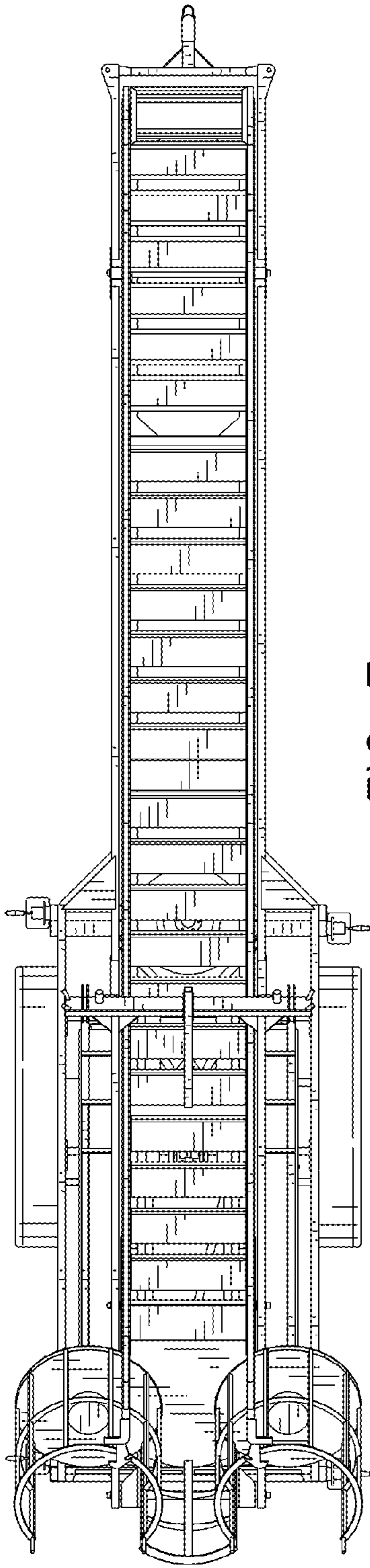


FIG. 7

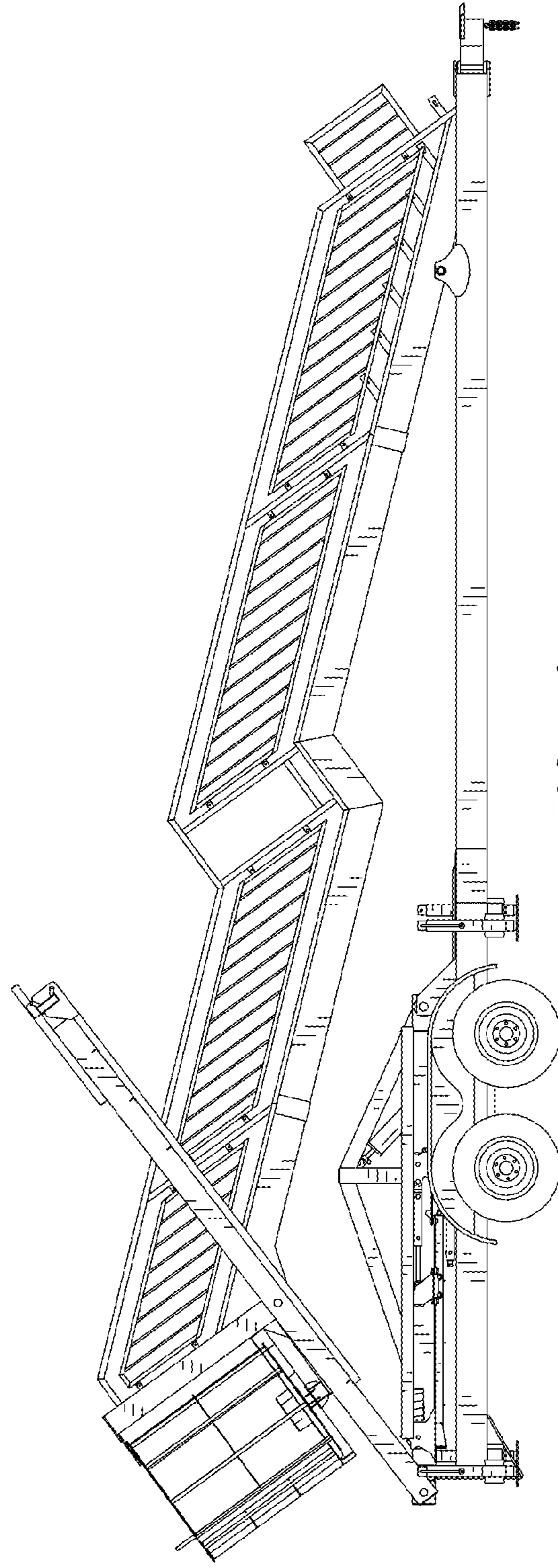


FIG. 10

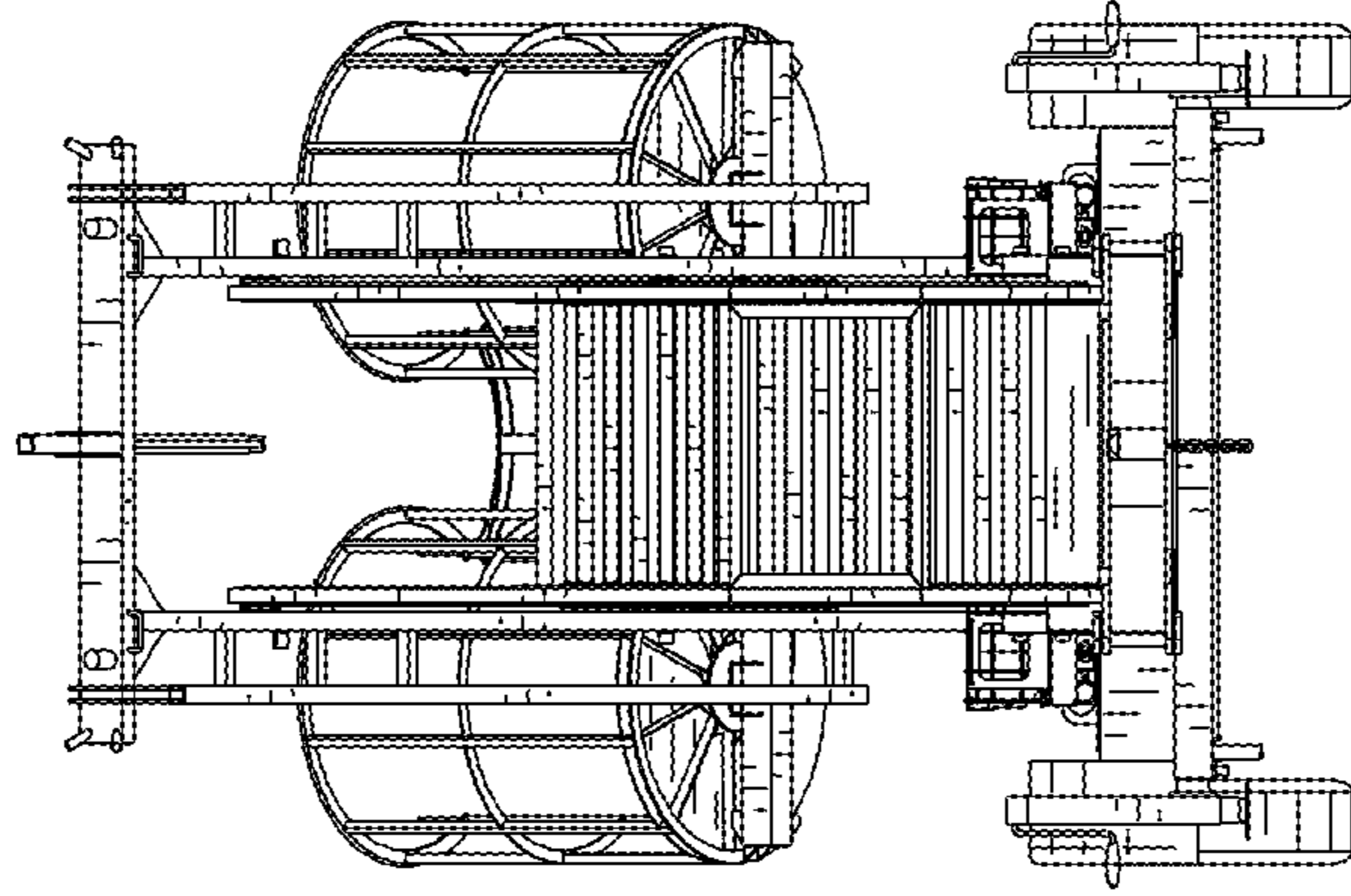


FIG. 9

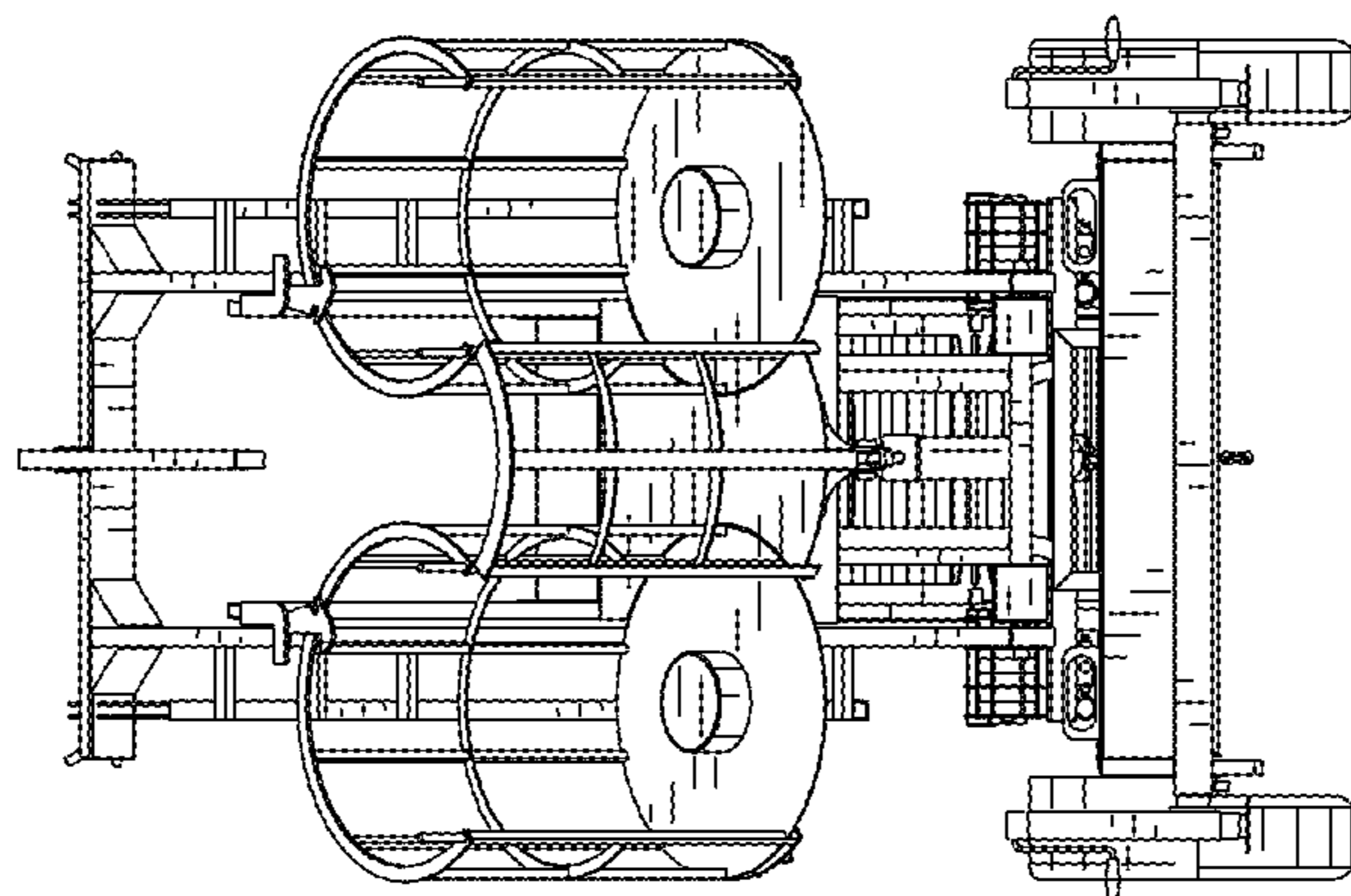


FIG. 8