



US00D689574S

(12) **United States Design Patent**
Rollinson

(10) **Patent No.:** **US D689,574 S**

(45) **Date of Patent:** **** Sep. 10, 2013**

(54) **PUTTER HEAD**

(75) **Inventor:** **Augustin W. Rollinson**, Carlsbad, CA
(US)

(73) **Assignee:** **Callaway Golf Company**, Carlsbad, CA
(US)

(**) **Term:** **14 Years**

(21) **Appl. No.:** **29/430,968**

(22) **Filed:** **Aug. 31, 2012**

(51) **LOC (9) Cl.** **21-02**

(52) **U.S. Cl.**
USPC **D21/743**

(58) **Field of Classification Search**
USPC D21/735-746, 759; 473/324-331,
473/340-341, 251-256

See application file for complete search history.

(56) **References Cited**

U.S. PATENT DOCUMENTS

D207,227 S *	3/1967	Solheim	D21/739
D239,951 S *	5/1976	Carrier	D21/742
D389,207 S *	1/1998	Cameron	D21/742
D426,599 S *	6/2000	Morgan et al.	D21/736
D443,906 S *	6/2001	Hettinger et al.	D21/743
D449,085 S *	10/2001	Breier et al.	D21/744
D498,276 S *	11/2004	Schweigert et al.	D21/743
D521,580 S *	5/2006	Burrows	D21/736
D548,294 S *	8/2007	Nguyen et al.	D21/736

D552,196 S *	10/2007	Hueber	D21/742
D562,921 S *	2/2008	Nguyen et al.	D21/742
D583,887 S *	12/2008	Cameron	D21/743
D590,462 S *	4/2009	Hettinger et al.	D21/743
D638,892 S *	5/2011	Hettinger et al.	D21/743
D643,893 S *	8/2011	Rollinson	D21/742
D648,407 S *	11/2011	Teramoto	D21/743
D650,453 S *	12/2011	Rollinson	D21/736
D650,456 S *	12/2011	Tang et al.	D21/743

* cited by examiner

Primary Examiner — Mitchell Siegel

(74) *Attorney, Agent, or Firm* — Rebecca Hanovice;
Michael A. Catania; Sonia Lari

(57) **CLAIM**

The ornamental design for a putter head, as shown and described.

DESCRIPTION

FIG. 1 is a rear perspective view of a putter head as claimed herein;

FIG. 2 is a rear view thereof;

FIG. 3 is a front view thereof;

FIG. 4 is a left side view thereof;

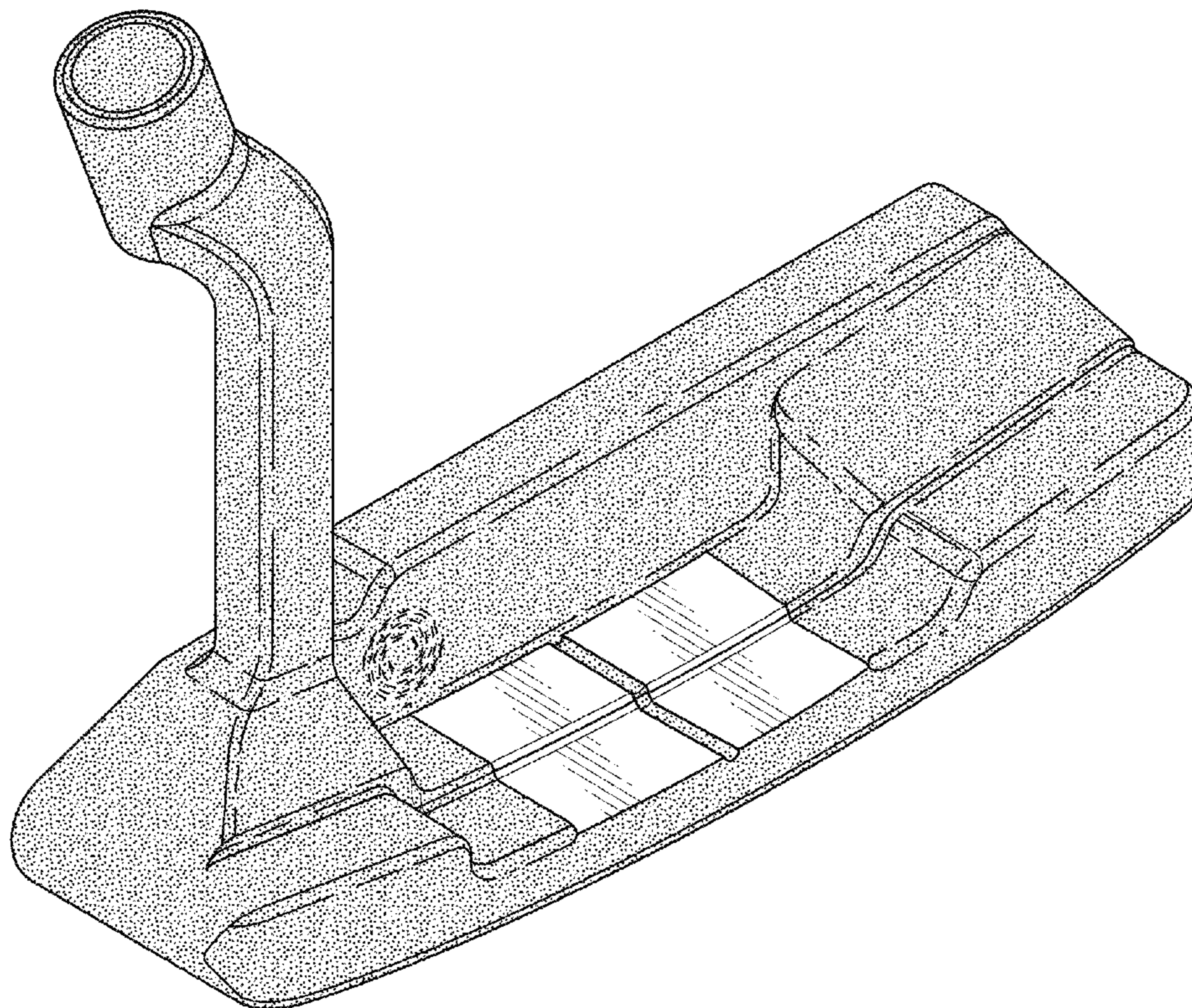
FIG. 5 is a right side view thereof;

FIG. 6 is a top plan view thereof; and,

FIG. 7 is a bottom plan view thereof.

The broken lines are included for the purpose of illustration and form no part of the claimed design.

1 Claim, 3 Drawing Sheets



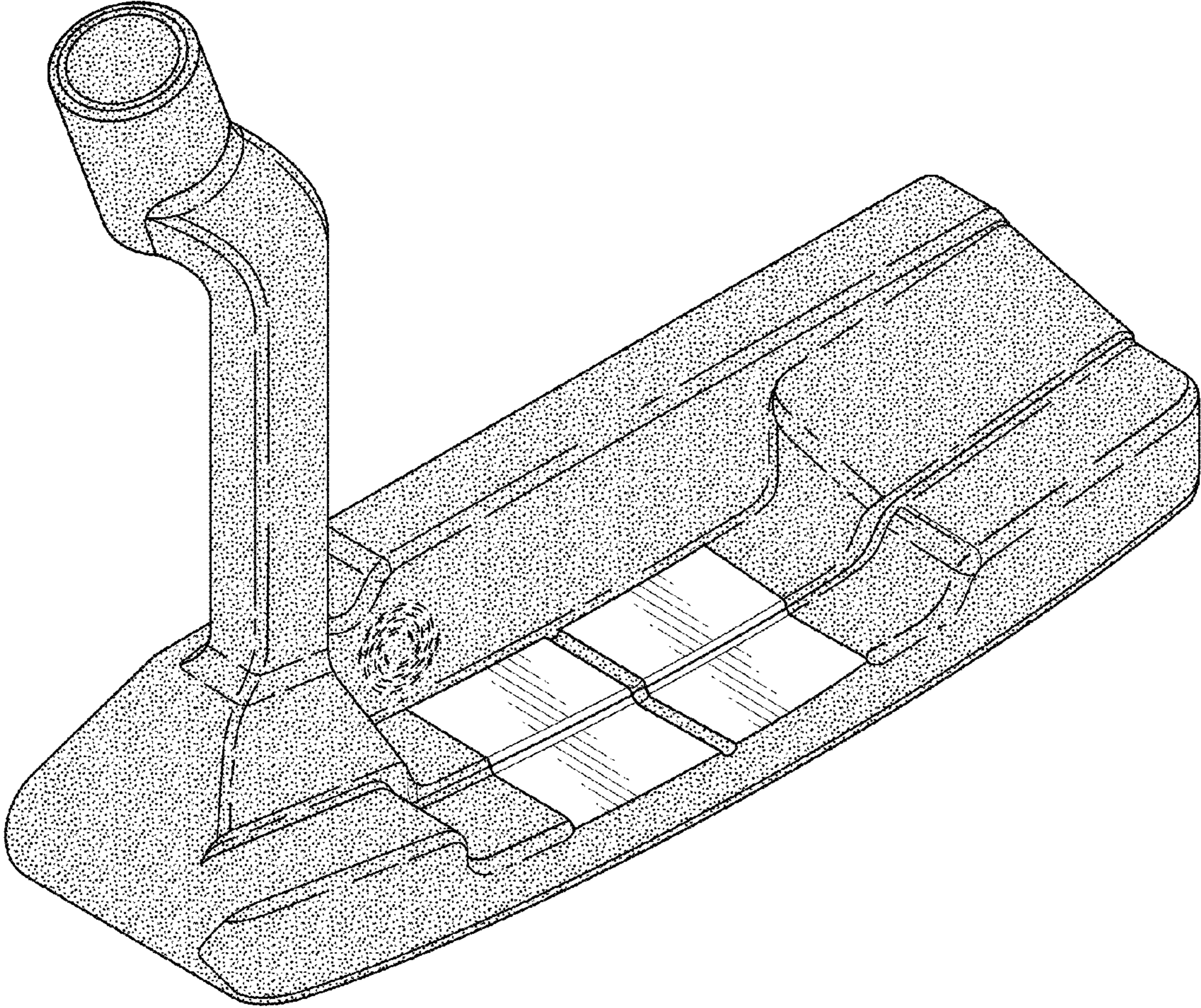


FIG. 1

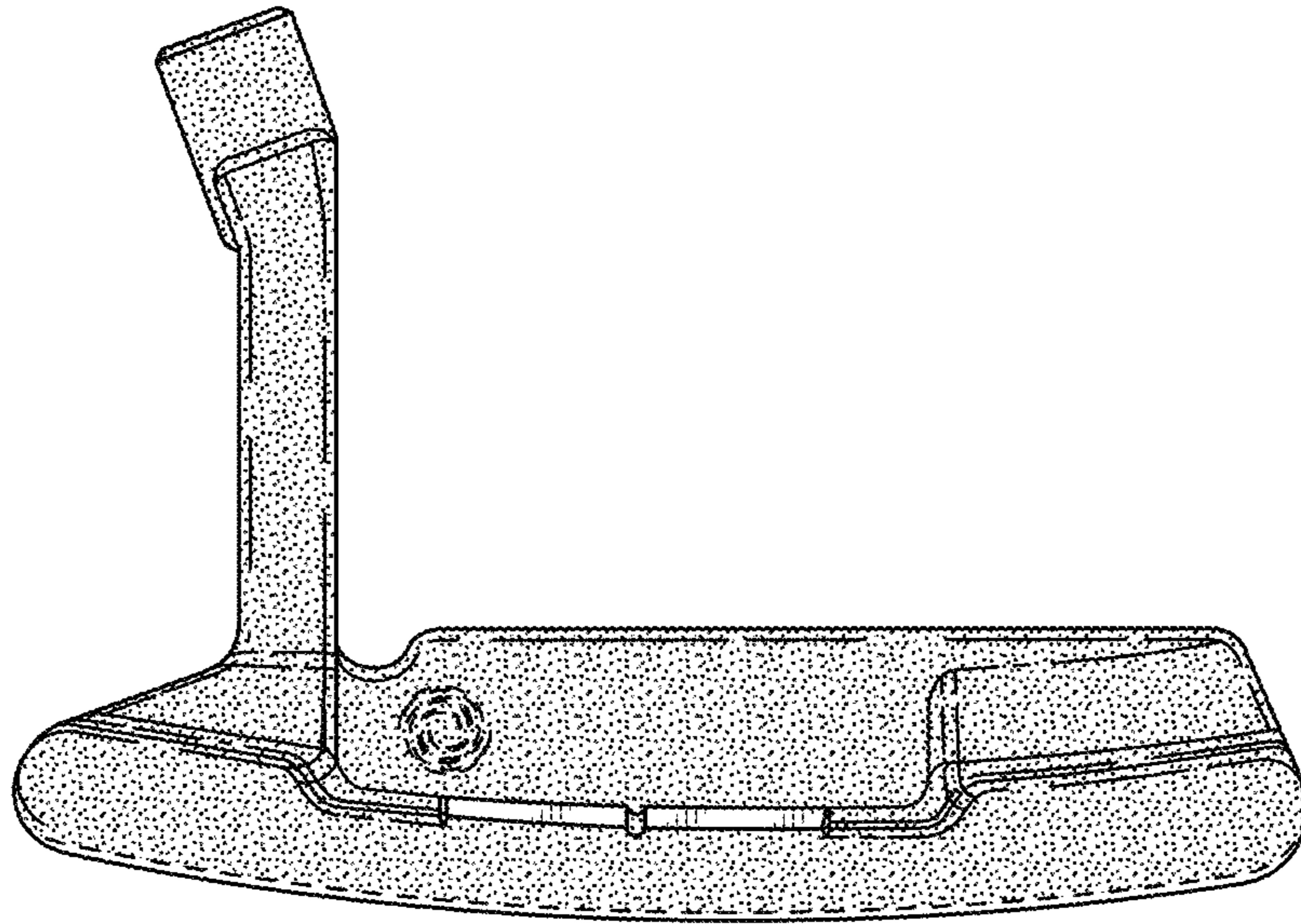


FIG. 2

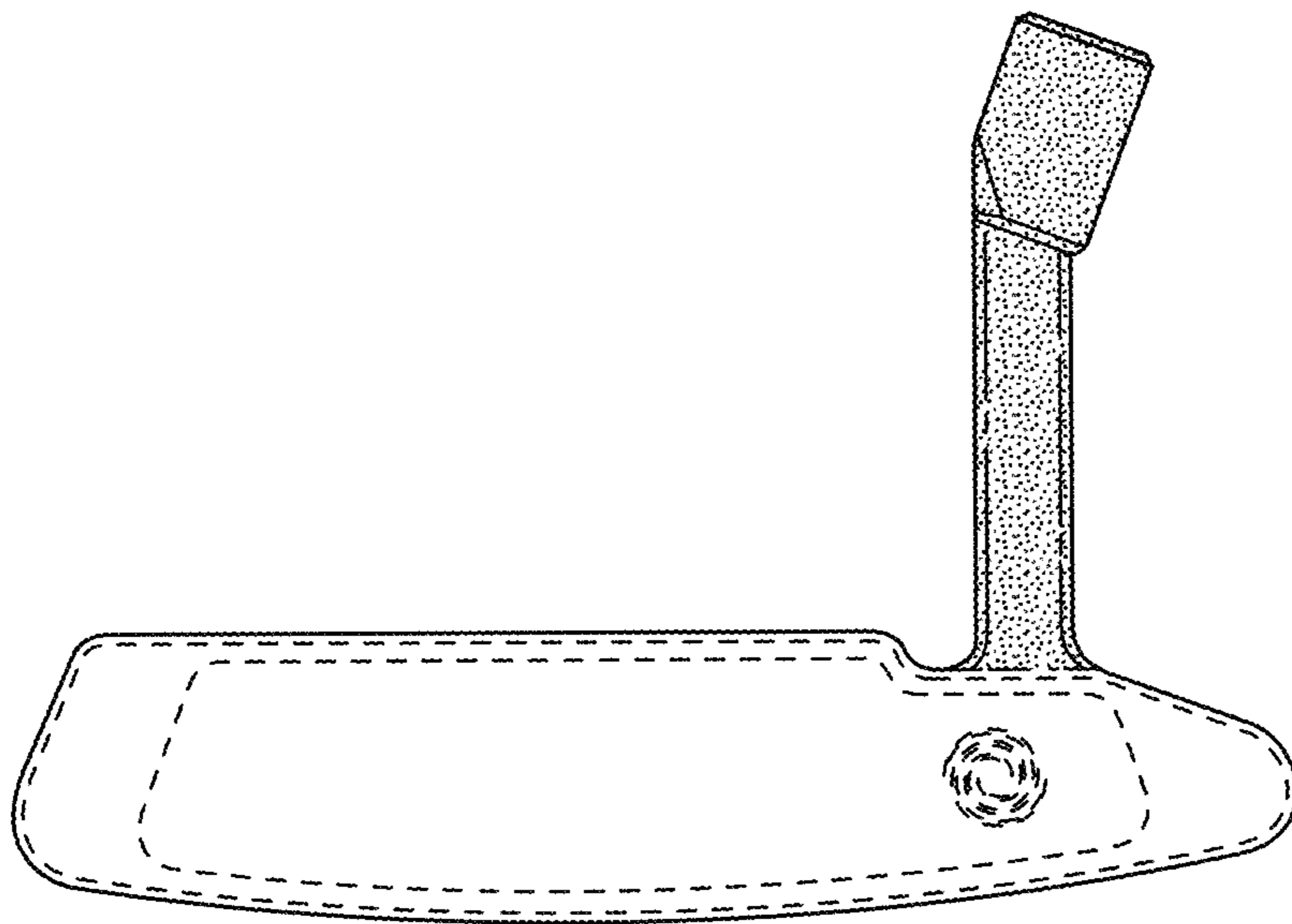


FIG. 3

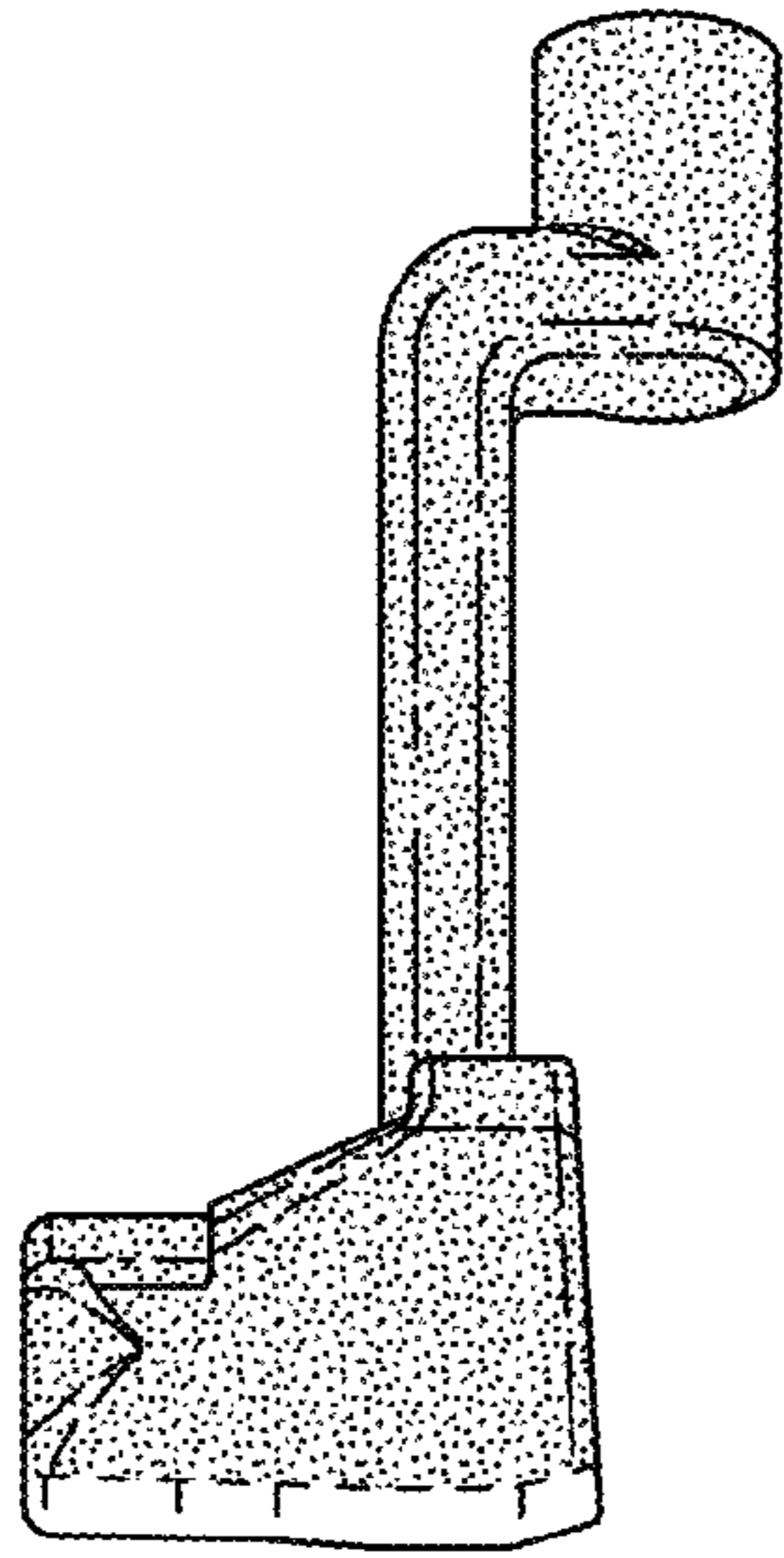


FIG. 4

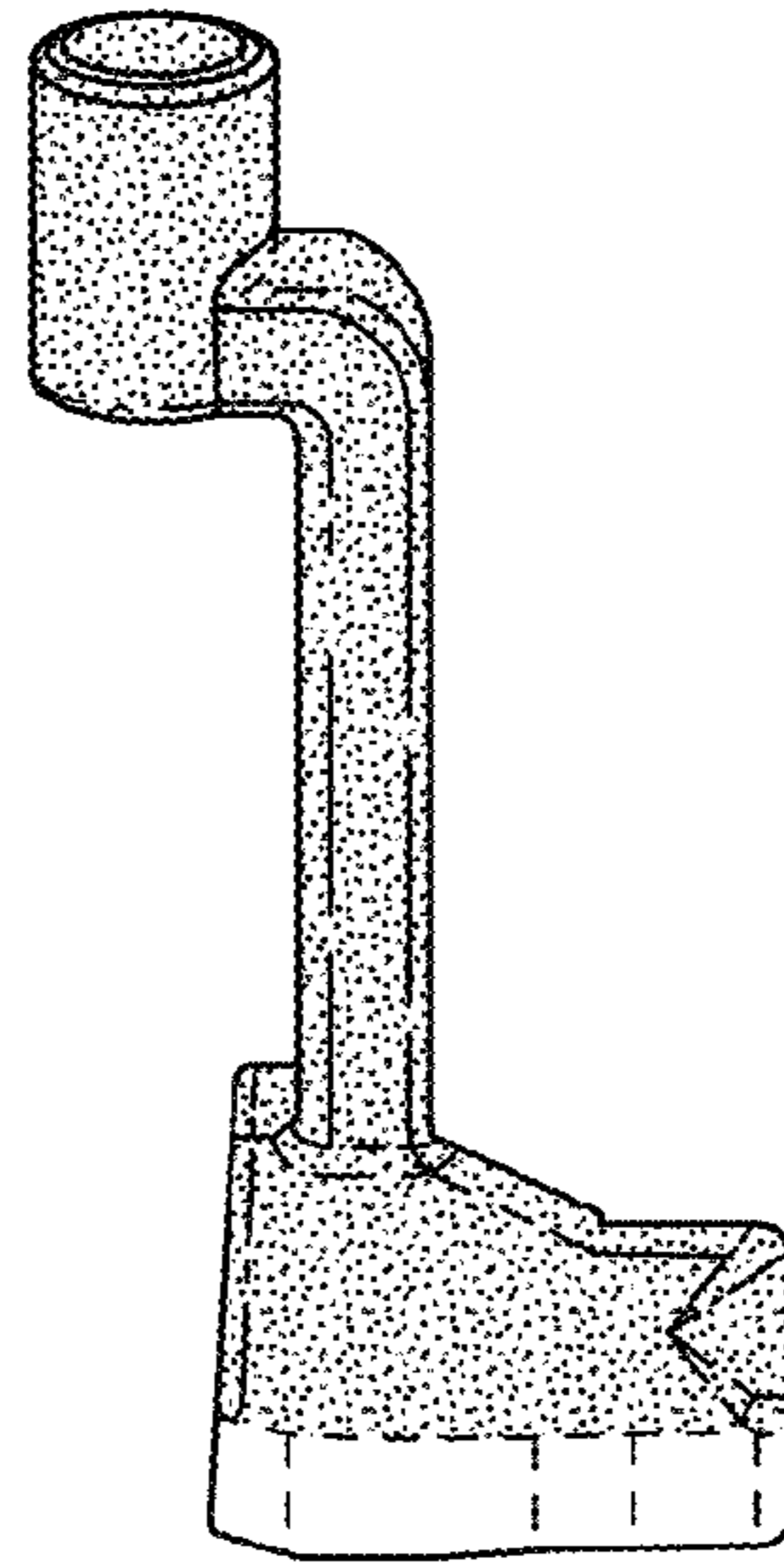


FIG. 5

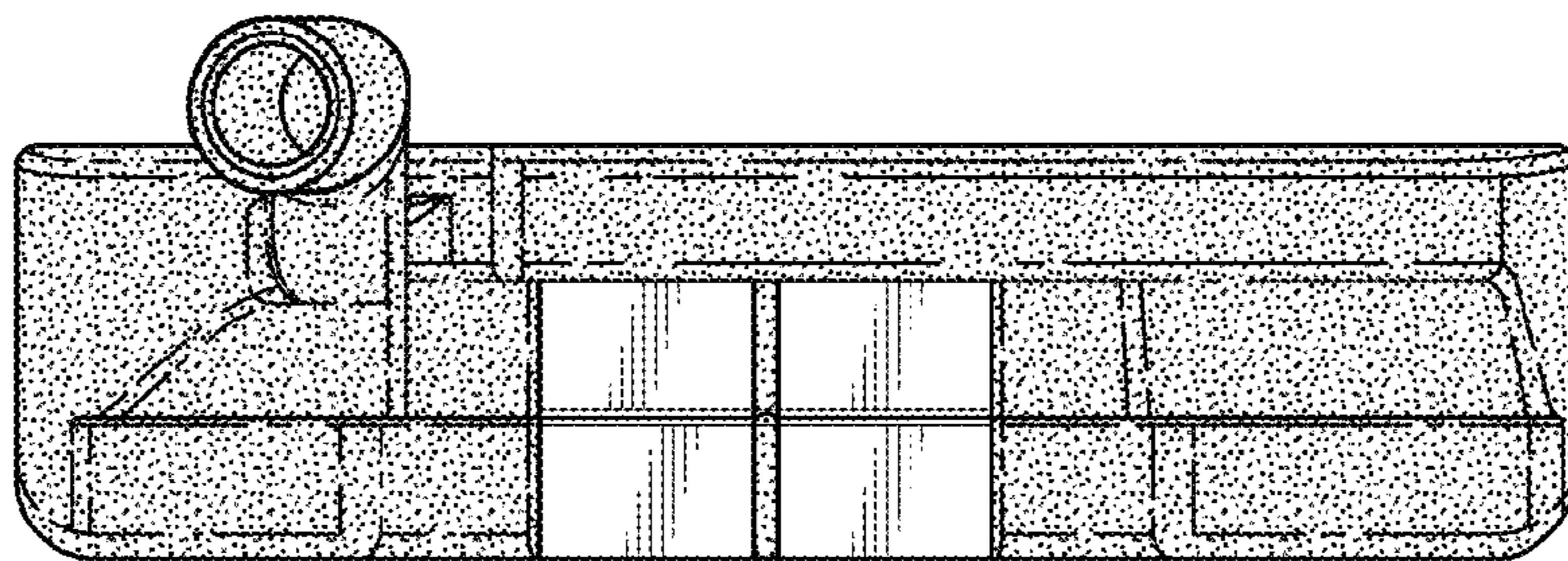


FIG. 6

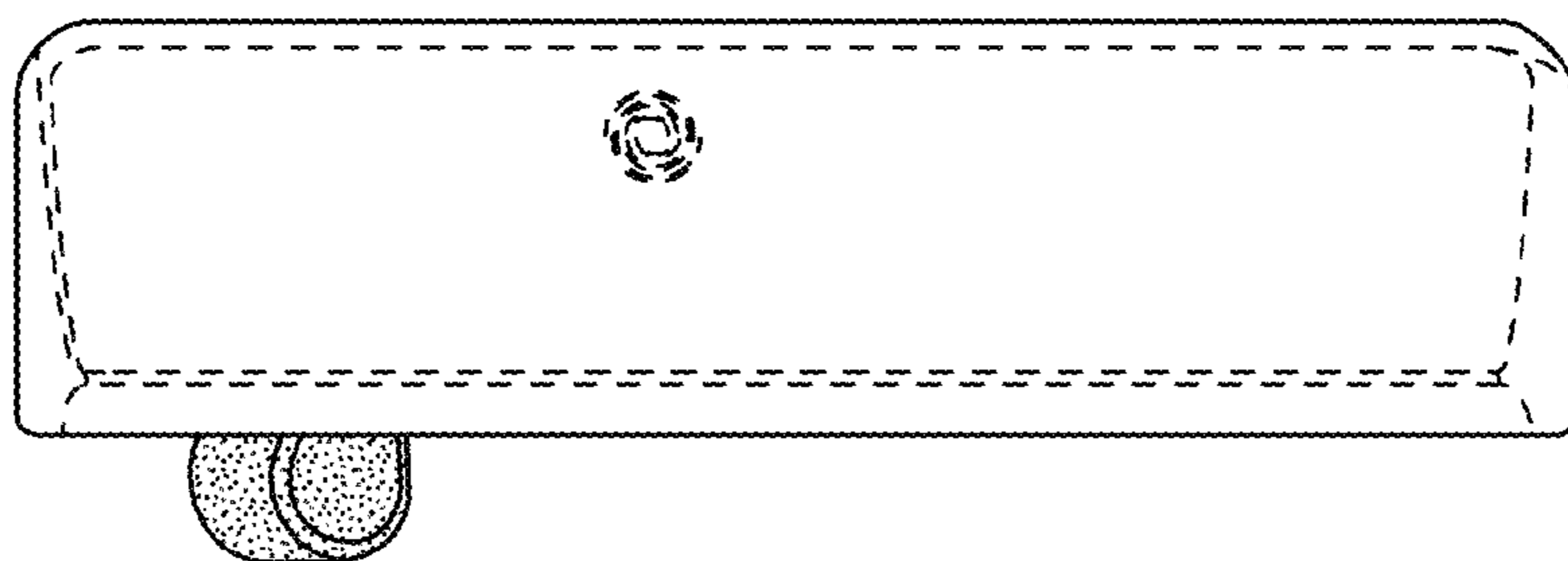


FIG. 7