



US00D689571S

(12) **United States Design Patent**  
**Likins**

(10) **Patent No.:** **US D689,571 S**

(45) **Date of Patent:** **\*\* \*Sep. 10, 2013**

- (54) **BASKETBALL HOOP ASSEMBLY**
- (76) Inventor: **Clinton R. Likins**, New Albany, IN (US)
- (\*) Notice: This patent is subject to a terminal disclaimer.
- (\*\*) Term: **14 Years**
- (21) Appl. No.: **29/409,245**
- (22) Filed: **Dec. 21, 2011**
- (51) **LOC (9) Cl.** ..... **21-02**
- (52) **U.S. Cl.**  
USPC ..... **D21/701**
- (58) **Field of Classification Search**  
USPC ..... D21/302, 303, 305, 699-705, 781;  
473/433, 447, 448, 449, 472, 476-489;  
273/317.3, 348, 354, 382, 389, 398, 400-410  
See application file for complete search history.

7,320,652	B2 *	1/2008	Kilpatrick	.....	473/483
7,462,117	B2 *	12/2008	White et al.	.....	473/481
7,530,909	B2 *	5/2009	Thomas et al.	.....	473/433
D610,214	S *	2/2010	Likins	.....	D21/703
7,798,921	B2 *	9/2010	Connerley	.....	473/485
2003/0054906	A1 *	3/2003	Allshouse et al.	.....	473/486
2007/0213148	A1 *	9/2007	Nye	.....	473/485

\* cited by examiner

*Primary Examiner* — Catherine Tuttle  
(74) *Attorney, Agent, or Firm* — Joe D. Calhoun

(57) **CLAIM**  
The ornamental design for a basketball hoop assembly, as shown and described.

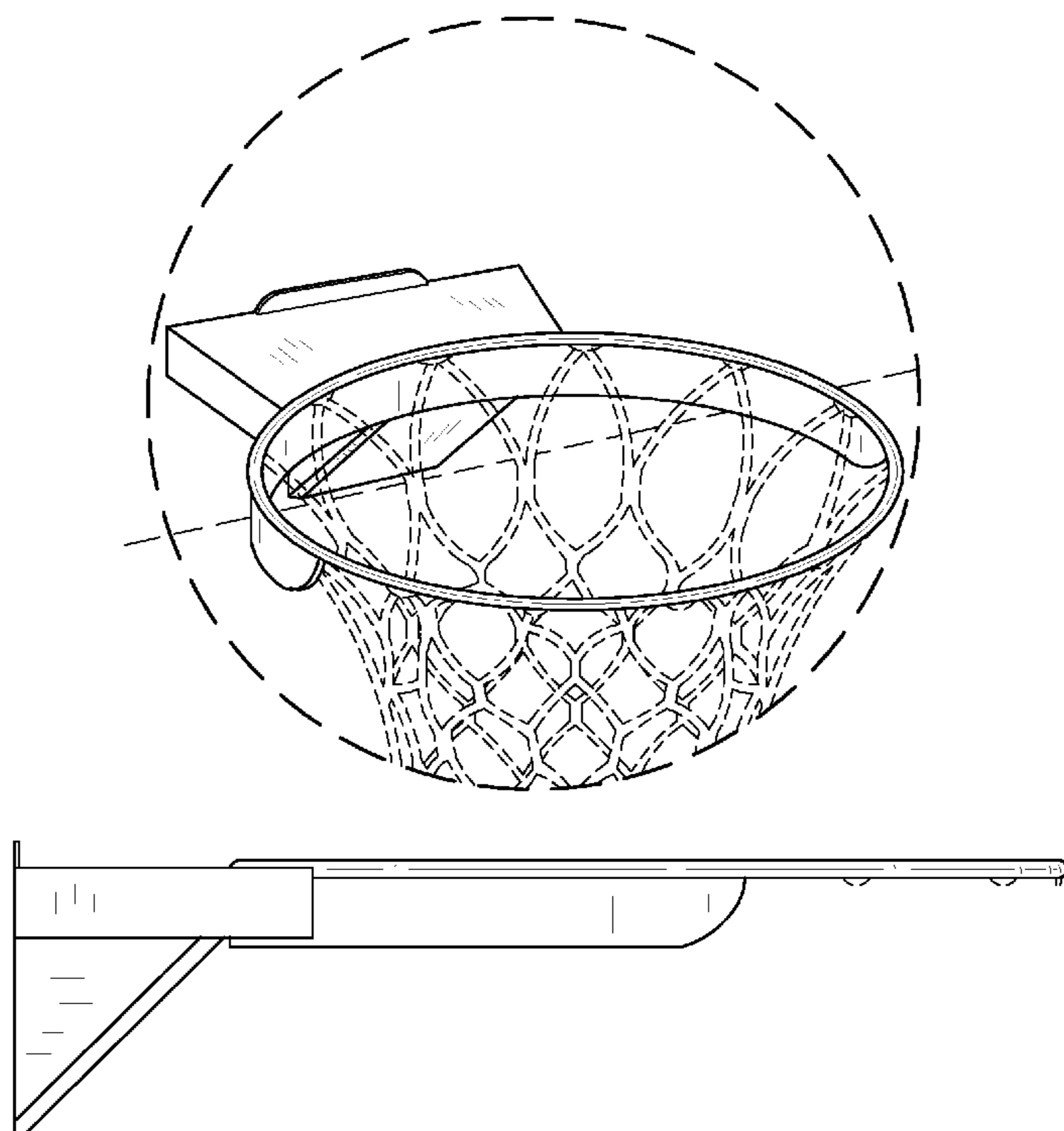
**DESCRIPTION**

FIG. 1 is a perspective view of the basketball hoop assembly showing my new design;  
 FIG. 2 is an enlarged scale, exploded view of the area indicated by circle 2 in FIG. 1;  
 FIG. 3 is a top plan view shown separate from the broken line portions depicted in FIGS. 1 and 2;  
 FIG. 4 is a fragmentary bottom plan view thereof;  
 FIG. 5 is a right side elevation view thereof;  
 FIG. 6 is a left side elevation view thereof;  
 FIG. 7 is a rear elevation view thereof; and,  
 FIG. 8 is a front elevation view thereof.

The broken lines are included for the purposes of illustrating portions of the basketball hoop assembly that form no part of the claimed design. The broken line circle indicating the area of enlargement likewise forms no part of the claimed design.

**1 Claim, 5 Drawing Sheets**

- (56) **References Cited**
- U.S. PATENT DOCUMENTS
- 2,254,507 A \* 9/1941 Albach et al. .... 473/485
- 3,622,155 A \* 11/1971 Hirsch ..... 473/481
- D238,284 S \* 12/1975 Toedter ..... D21/703
- 4,145,044 A \* 3/1979 Wilson et al. .... 473/483
- 4,353,548 A \* 10/1982 Mahoney ..... 473/486
- 4,799,679 A \* 1/1989 Ogram ..... 473/486
- D309,808 S \* 8/1990 Phelps et al. .... D32/37
- 5,305,997 A \* 4/1994 Jolly ..... 473/486
- 5,318,289 A \* 6/1994 Mahoney et al. .... 473/486
- 5,464,207 A \* 11/1995 Boitano ..... 473/486
- 6,821,217 B2 \* 11/2004 Squibb ..... 473/481
- 7,306,530 B2 \* 12/2007 Connerley ..... 473/483



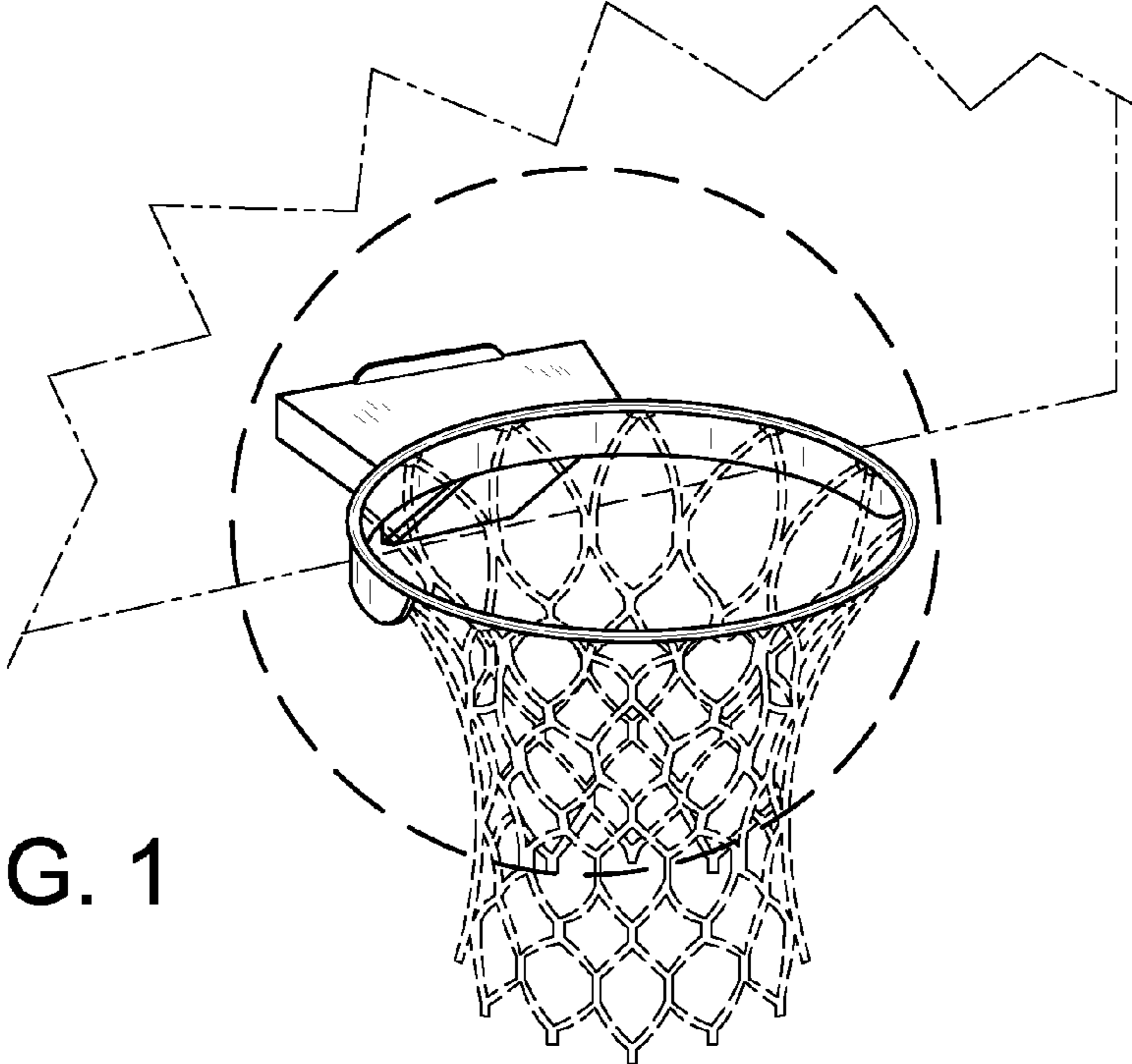


FIG. 1

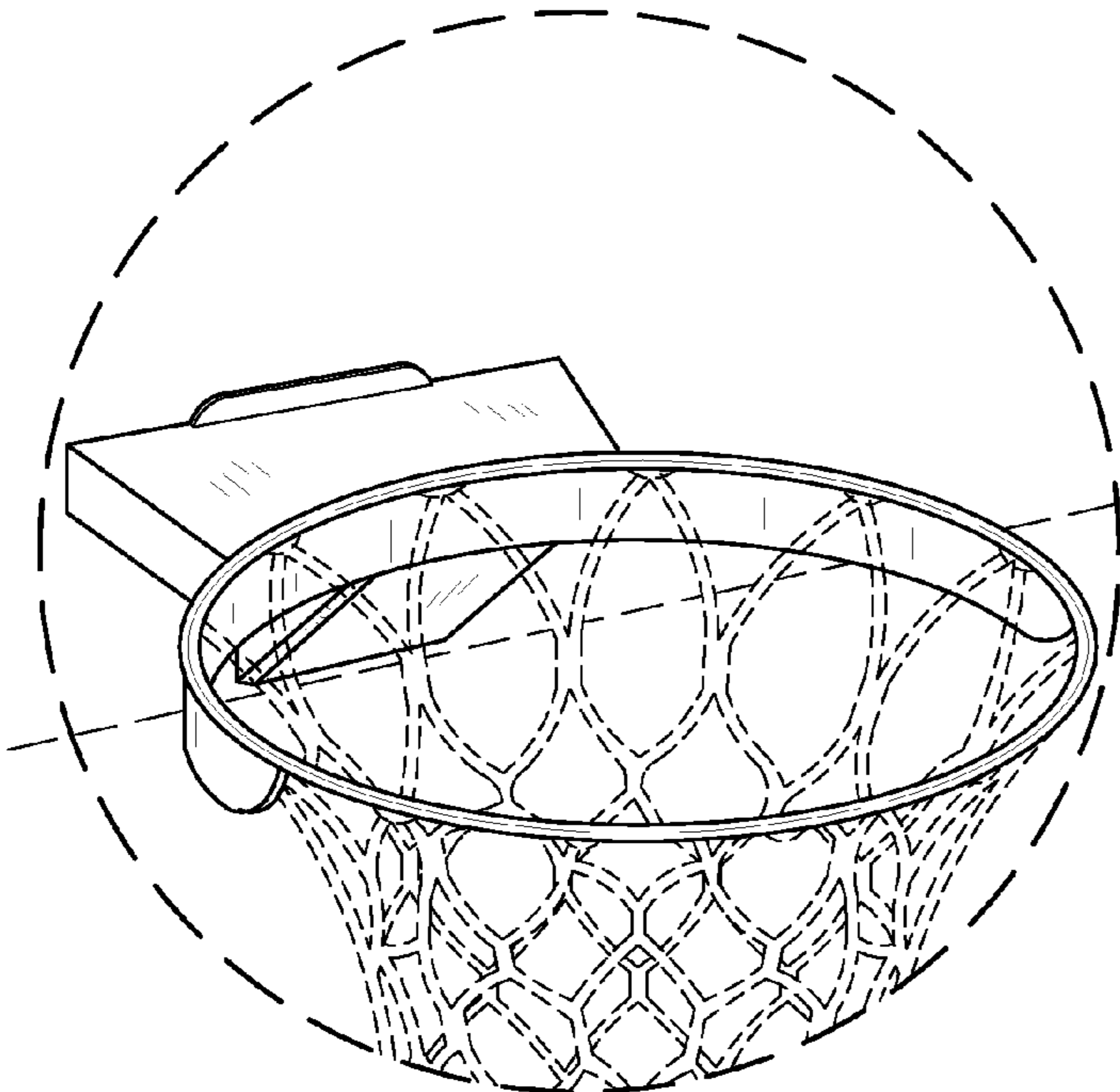


FIG. 2

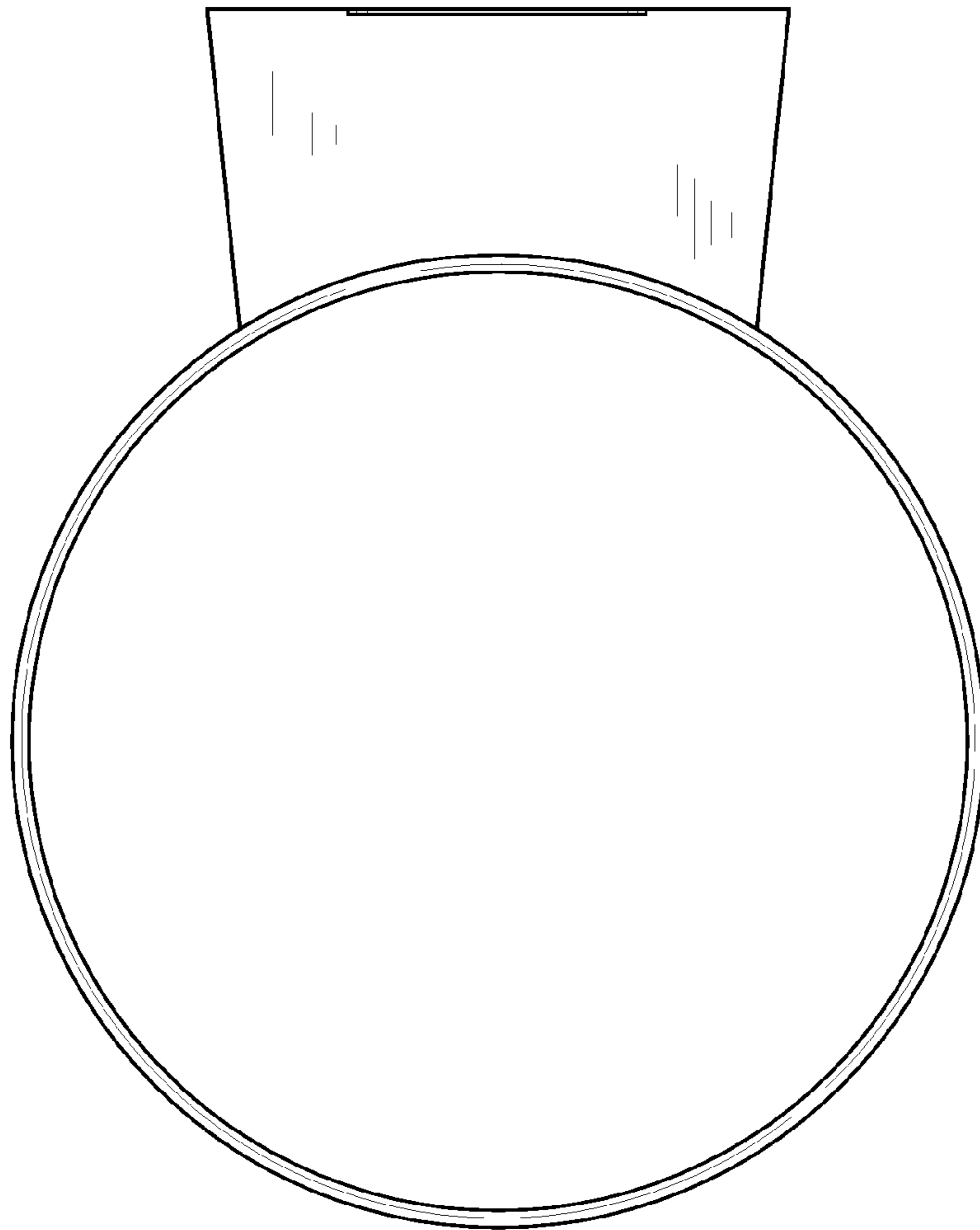


FIG. 3

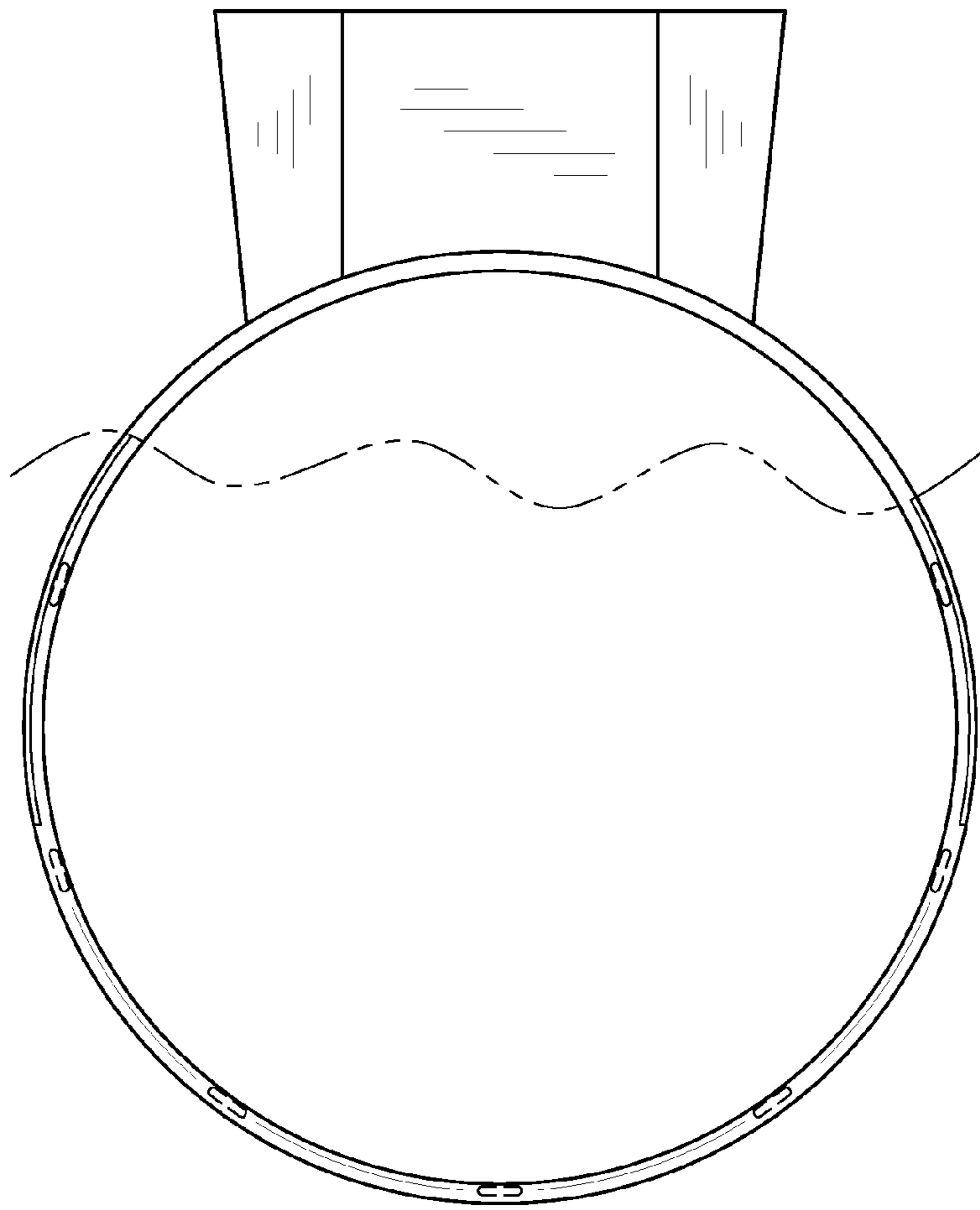


FIG. 4

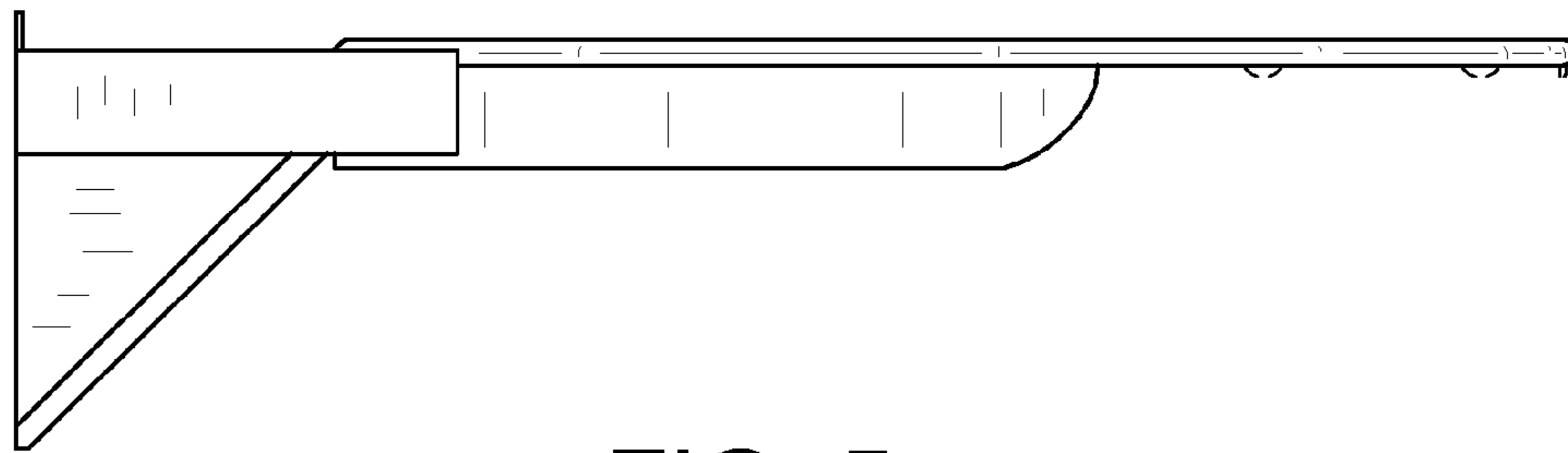


FIG. 5

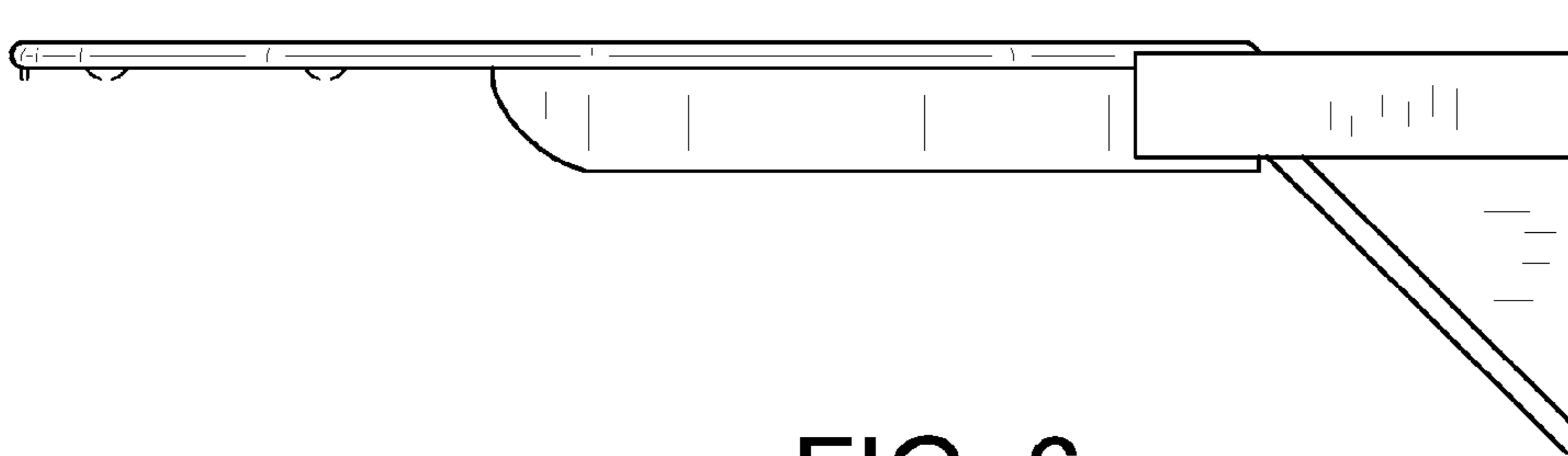


FIG. 6

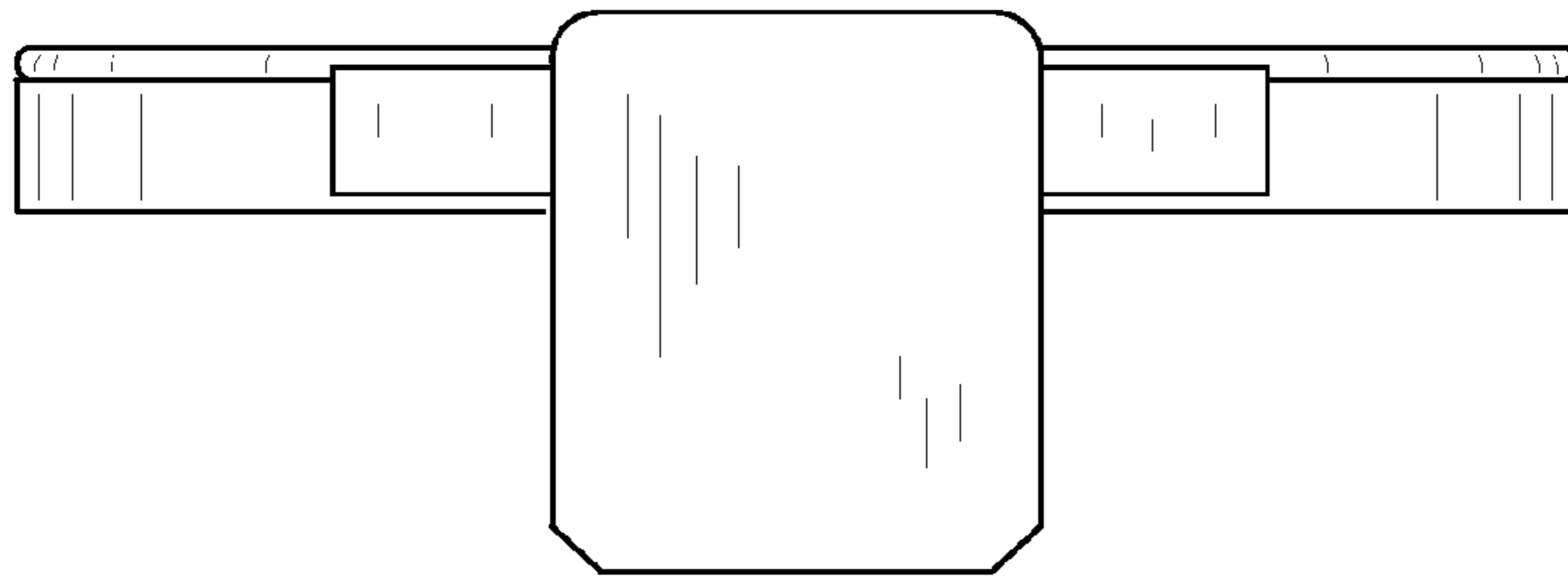


FIG. 7

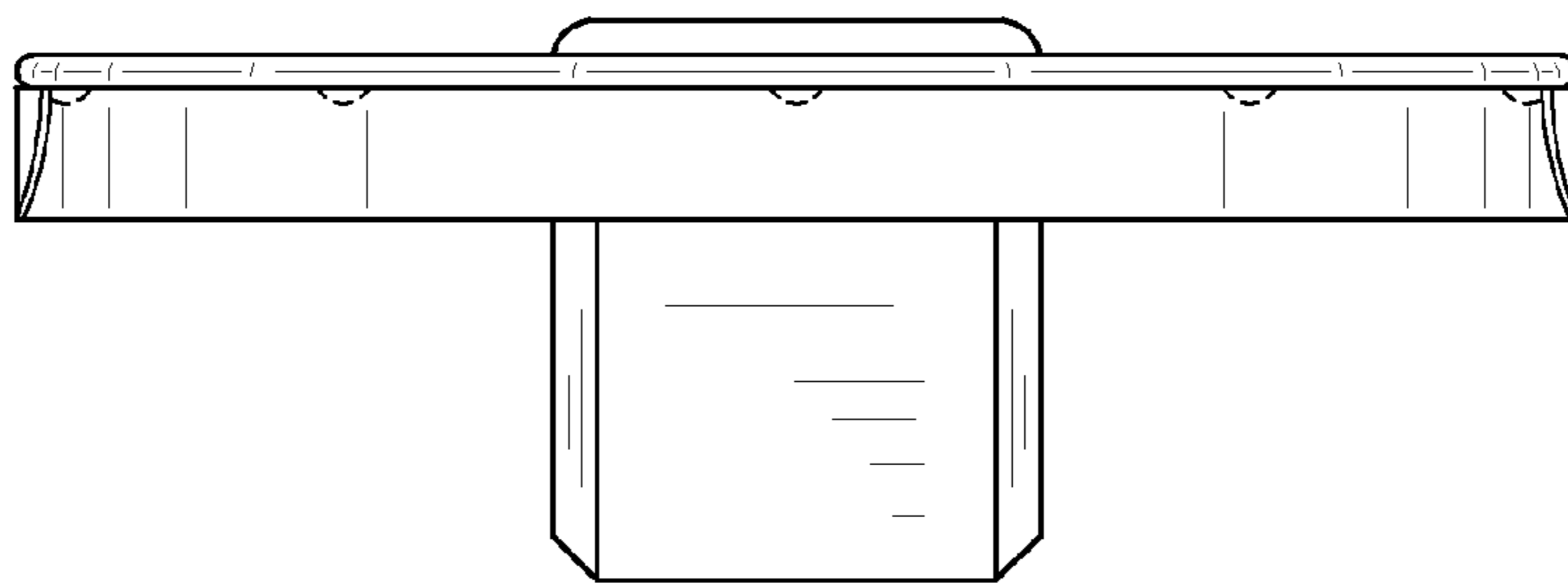


FIG. 8