



US00D689569S

(12) **United States Design Patent**
Kerdjoudj

(10) **Patent No.:** **US D689,569 S**

(45) **Date of Patent:** **** Sep. 10, 2013**

(54) **PORTABLE EXERCISE MACHINE**

(71) Applicant: **Mohamed Kerdjoudj**, Aurora, IL (US)

(72) Inventor: **Mohamed Kerdjoudj**, Aurora, IL (US)

(73) Assignee: **Mohamed Kerdjoudj**, Aurora, IL (US)

(**) Term: **14 Years**

(21) Appl. No.: **29/438,129**

(22) Filed: **Nov. 27, 2012**

(51) **LOC (9) Cl.** **21-02**

(52) **U.S. Cl.**
USPC **D21/668**

(58) **Field of Classification Search**
USPC D21/662, 668, 670, 673, 674, 676,
D21/688, 689; 482/70, 71, 72, 92, 115, 121,
482/130, 132

See application file for complete search history.

(56) **References Cited**

U.S. PATENT DOCUMENTS

3,559,986 A * 2/1971 Ehrmantraut 482/70
3,620,530 A * 11/1971 Cosby 482/130

D225,343 S * 12/1972 Flick et al. D21/668
4,402,506 A * 9/1983 Jones 482/70
4,512,571 A * 4/1985 Hermelin 482/70
4,684,121 A * 8/1987 Nestegard 482/70
D622,787 S * 8/2010 Masterson et al. D21/668
D623,244 S * 9/2010 Hoffman D21/668
D626,186 S * 10/2010 Tsai D21/668
2010/0016131 A1 * 1/2010 Hoffman 482/121

* cited by examiner

Primary Examiner — Susan E Krakower

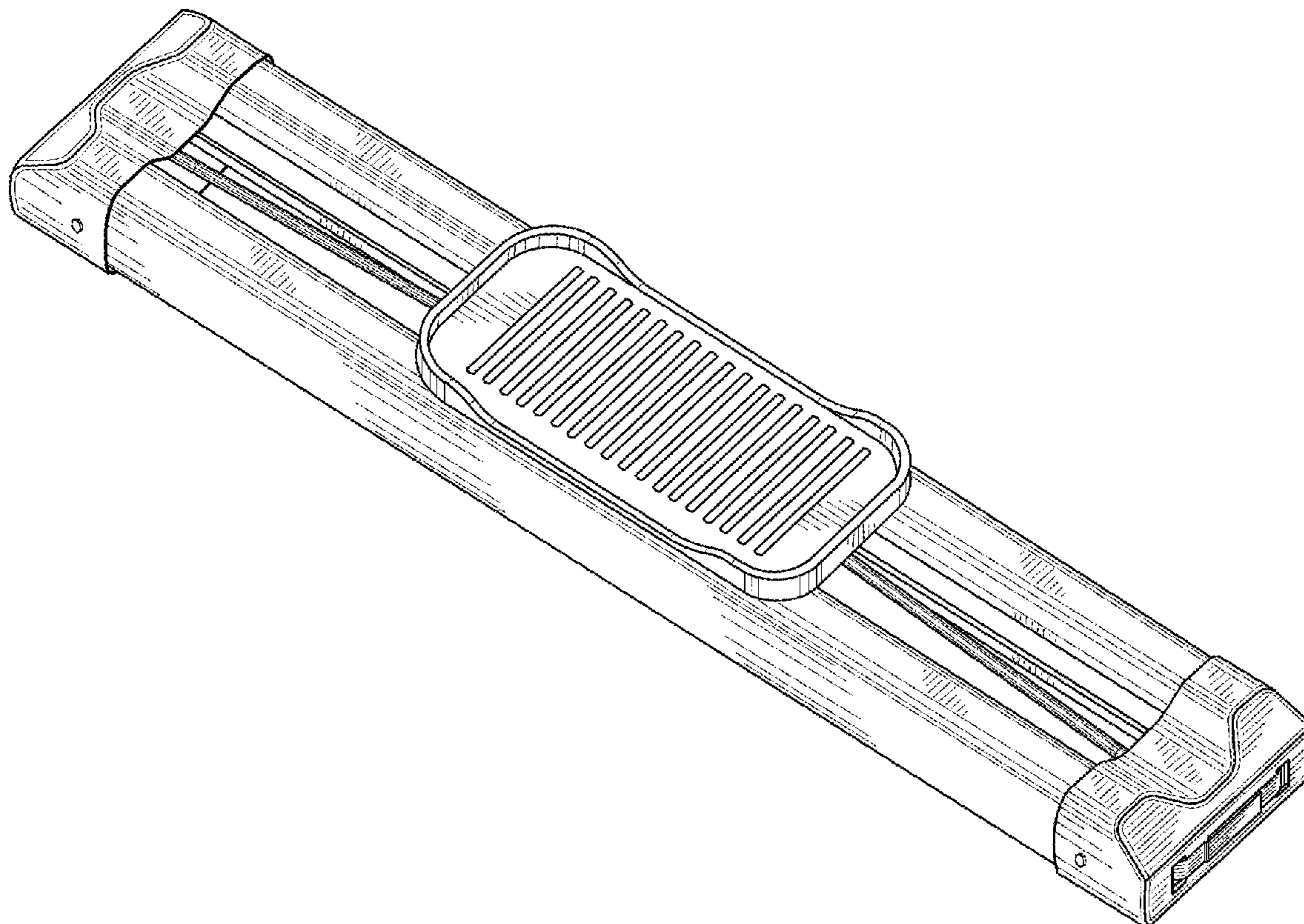
(57) **CLAIM**

The ornamental design for a portable exercise machine, as shown and described.

DESCRIPTION

FIG. 1 is a front and upper left perspective view of the portable exercise device showing my new design;
FIG. 2 is a bottom and lower left perspective view thereof;
FIG. 3 is a top plan view thereof;
FIG. 4 is a bottom plan view thereof;
FIG. 5 is a left side elevational view thereof;
FIG. 6 is a right side elevational view thereof;
FIG. 7 is a front end elevational view thereof; and,
FIG. 8 is a rear end elevational view thereof.

1 Claim, 7 Drawing Sheets



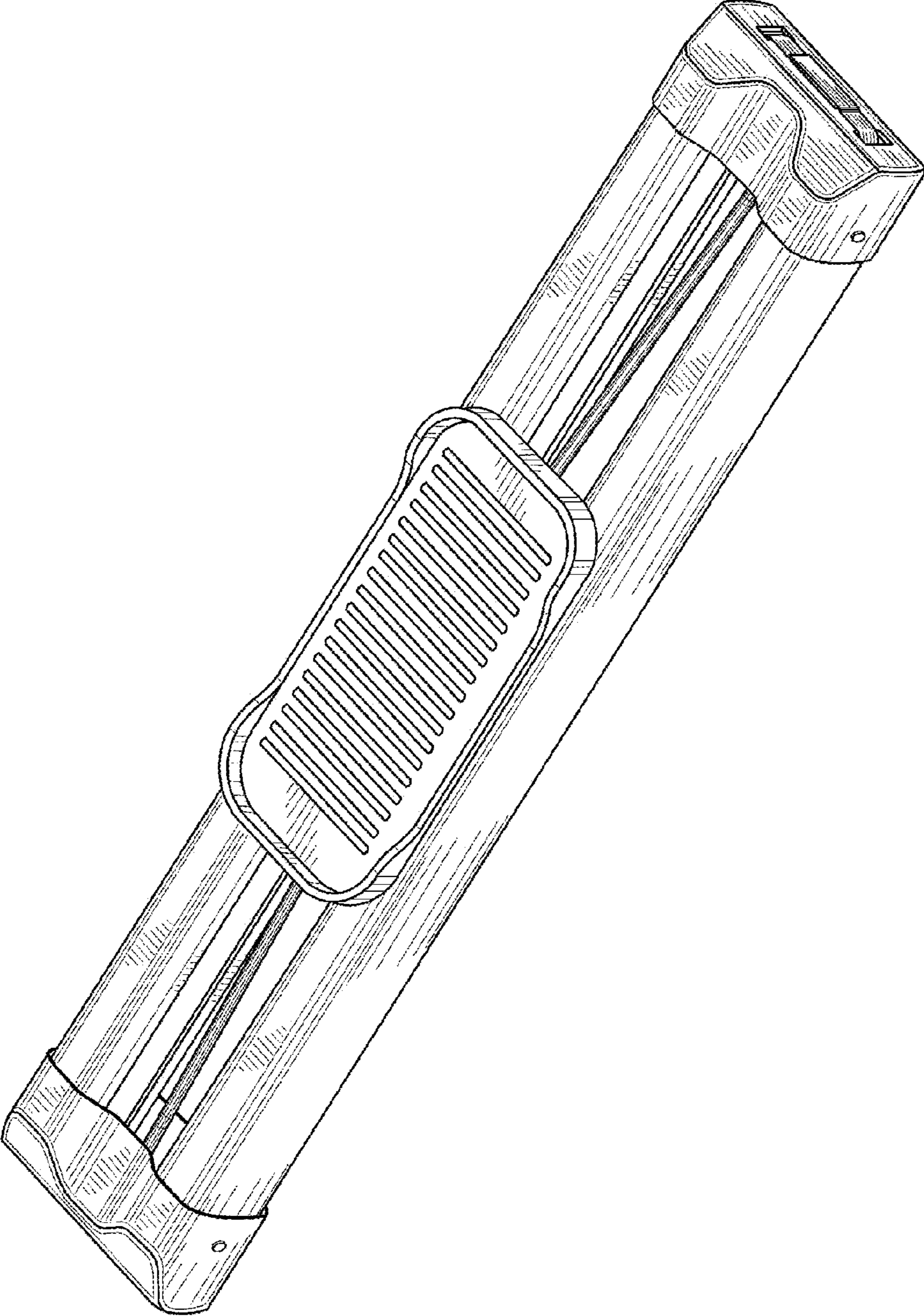


FIG. 1

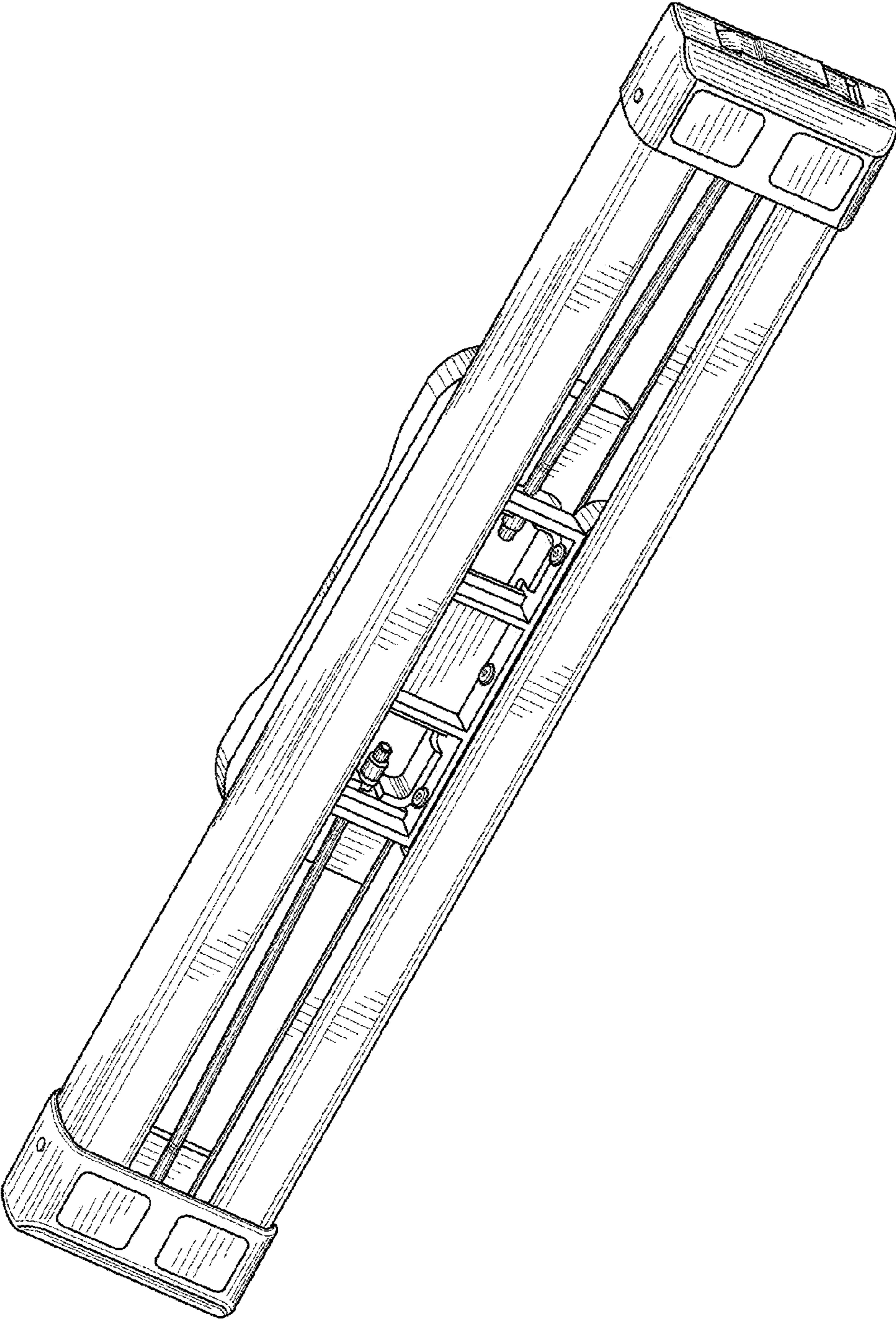


FIG. 2

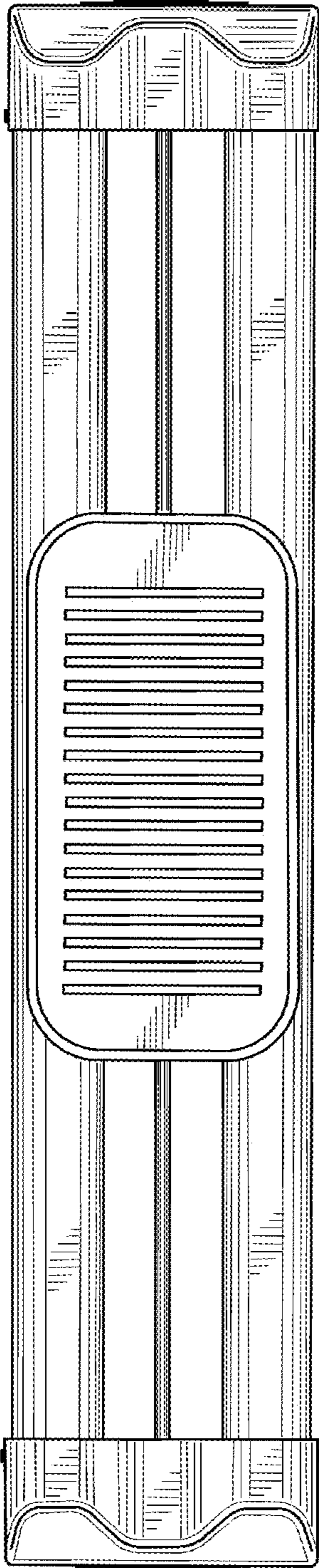


FIG. 3

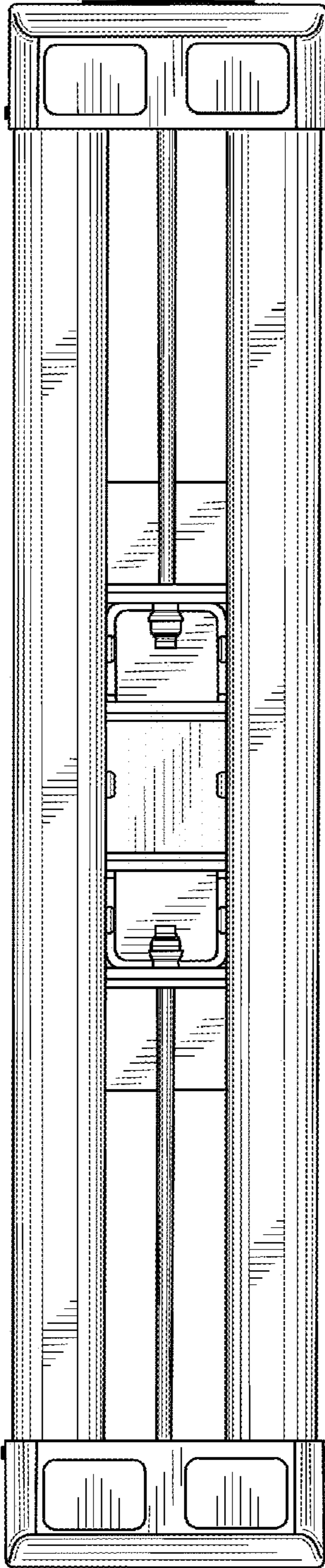


FIG. 4

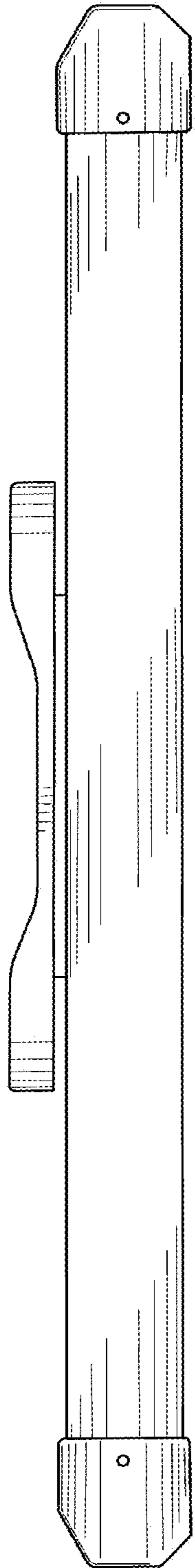


FIG. 5

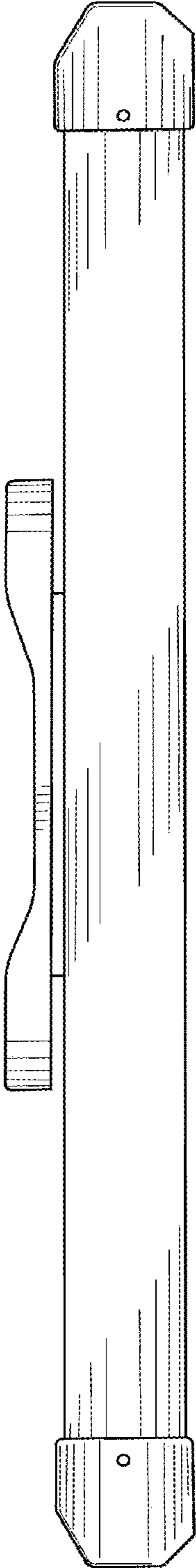


FIG. 6

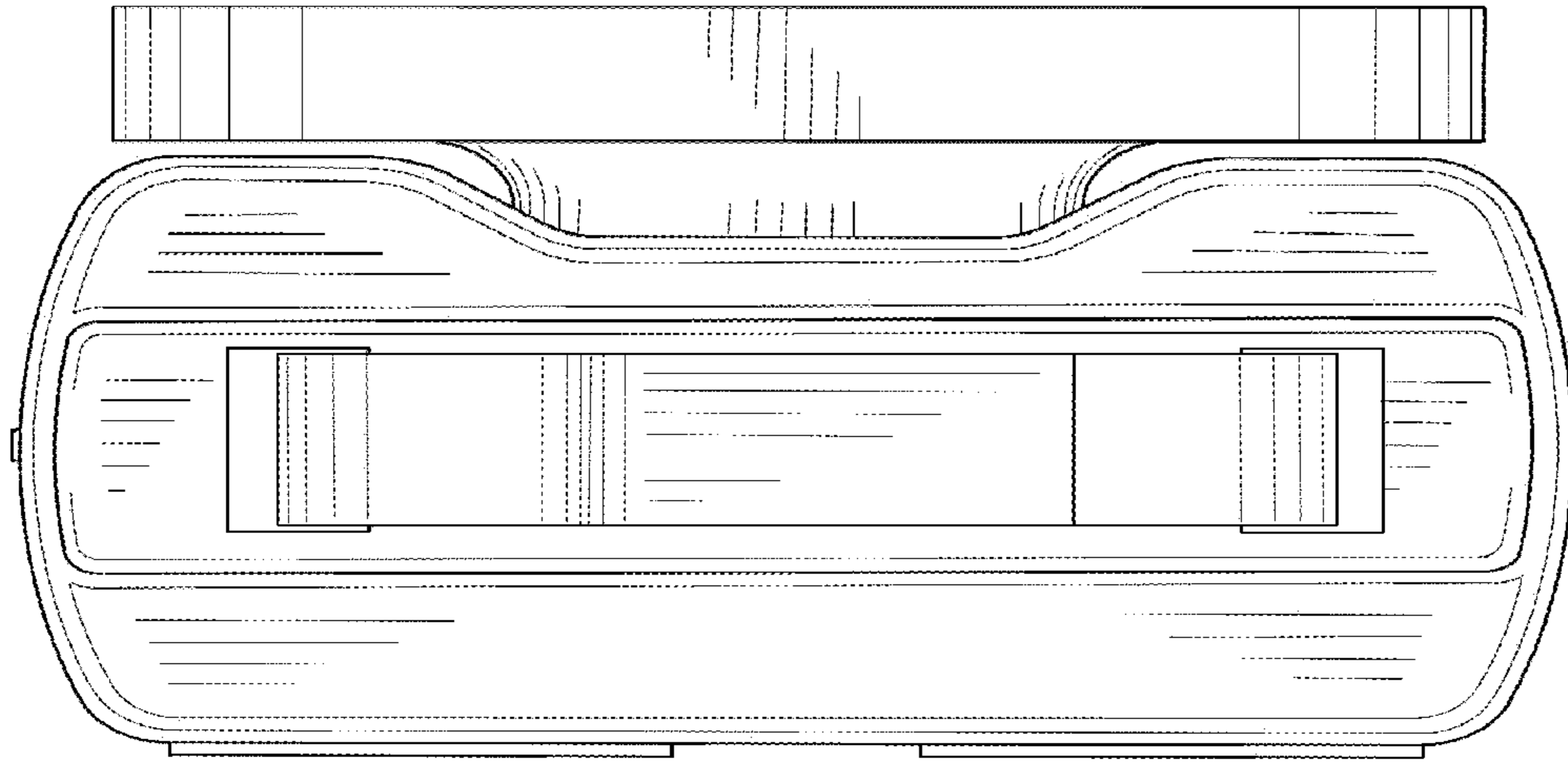


FIG. 7

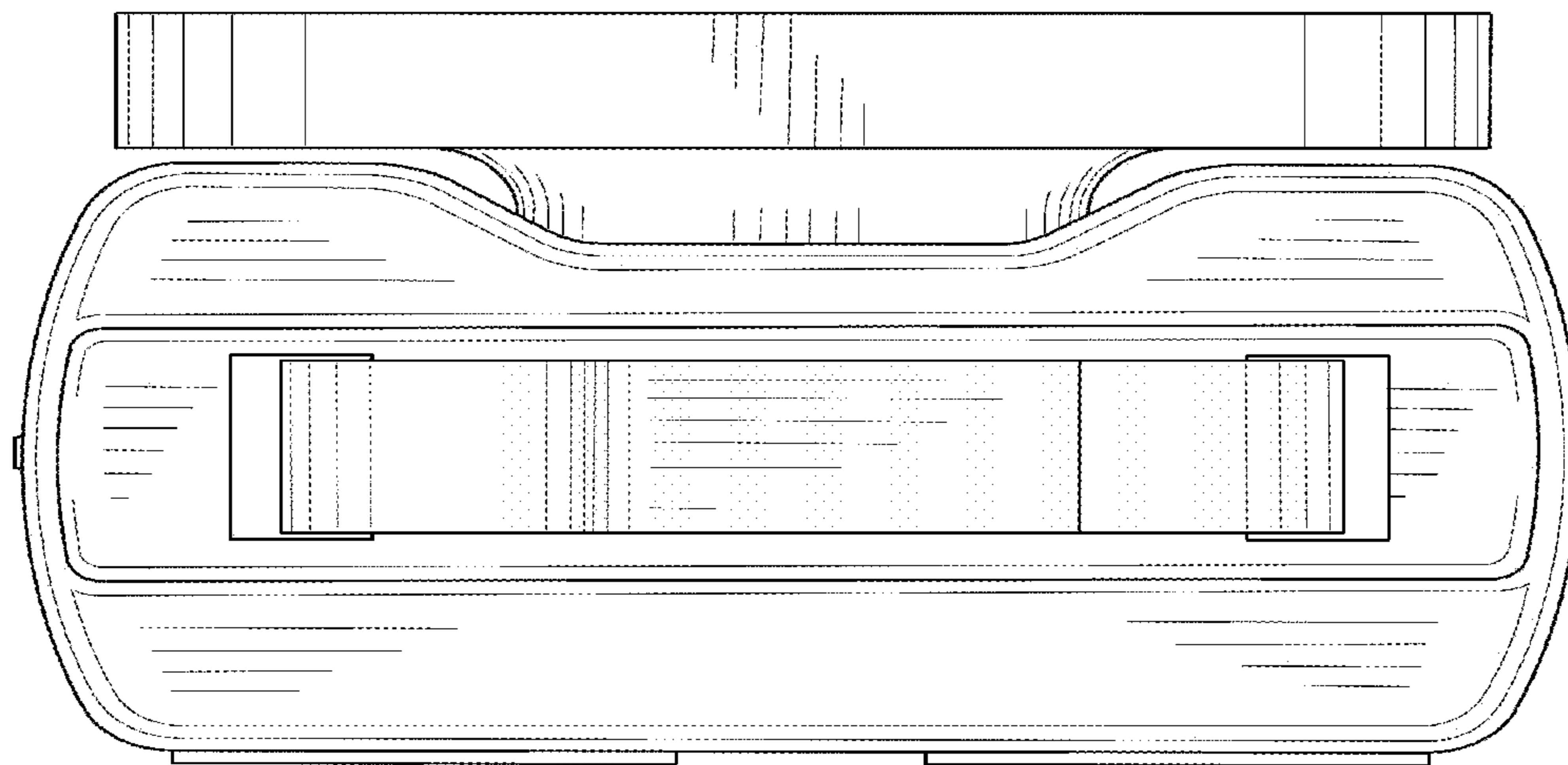


FIG. 8