



US00D689566S

(12) **United States Design Patent**
Wong

(10) **Patent No.:** **US D689,566 S**

(45) **Date of Patent:** **** Sep. 10, 2013**

(54) **ROBOT**

(71) Applicant: **Chung Leung Wong**, Kowloon (CN)

(72) Inventor: **Chung Leung Wong**, Kowloon (CN)

(**) Term: **14 Years**

(21) Appl. No.: **29/446,752**

(22) Filed: **Feb. 27, 2013**

(51) **LOC (9) Cl.** **21-01**

(52) **U.S. Cl.**

USPC **D21/578**; D15/199

(58) **Field of Classification Search**

USPC D21/578-583, 621, 622; 446/268-274,
446/279, 280, 285, 289-292, 294, 297-303,
446/353-355, 376-384; D15/199; 318/568.11,
318/568.12, 568.2

See application file for complete search history.

(56) **References Cited**

U.S. PATENT DOCUMENTS

D622,786	S	*	8/2010	Lee	D21/578
D645,523	S	*	9/2011	Wong	D21/578
D647,148	S	*	10/2011	Wong	D21/578
D647,149	S	*	10/2011	Wong	D21/578

* cited by examiner

Primary Examiner — Zenia Bennett

(74) *Attorney, Agent, or Firm* — Clement Cheng

(57) **CLAIM**

The ornamental design for a robot thereof, as shown and described.

DESCRIPTION

FIG. 1 is a perspective view.

FIG. 2 is a front view.

FIG. 3 is a rear view.

FIG. 4 is a left side view.

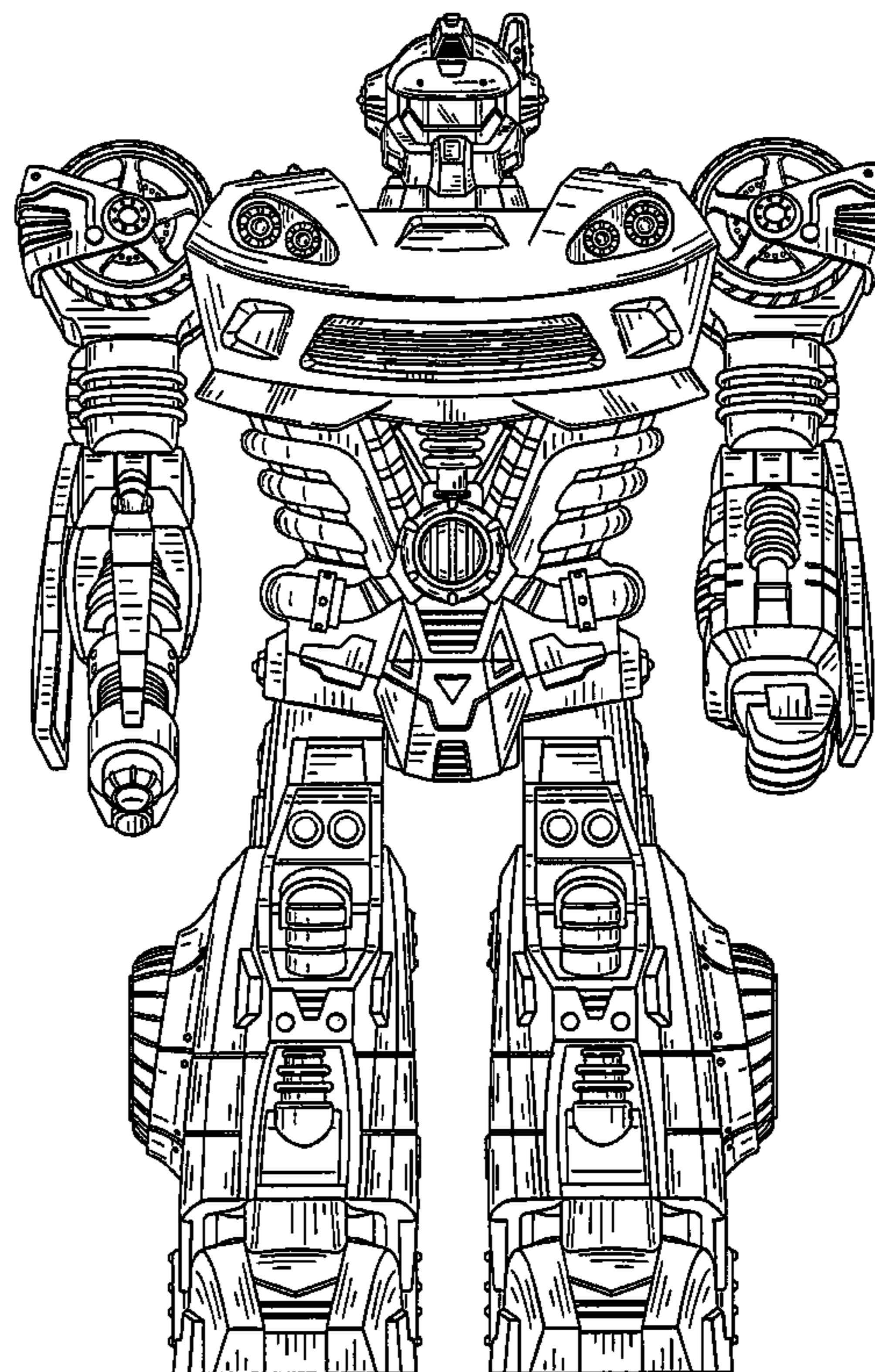
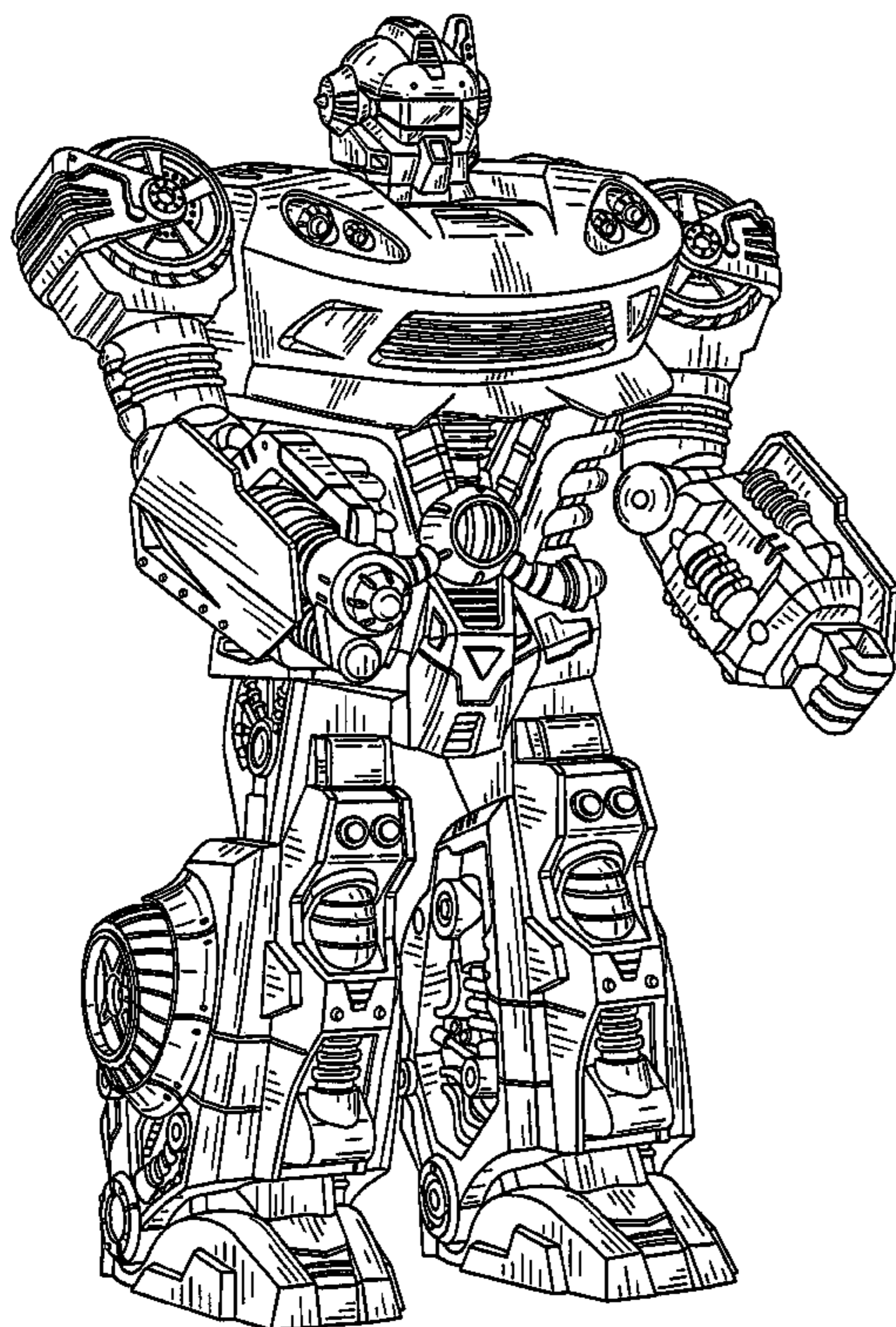
FIG. 5 is a right side view.

FIG. 6 is a top view; and,

FIG. 7 is a bottom view.

The dotted line disclosure is for illustrative purposes only and does not constitute any portion of the claimed invention.

1 Claim, 7 Drawing Sheets



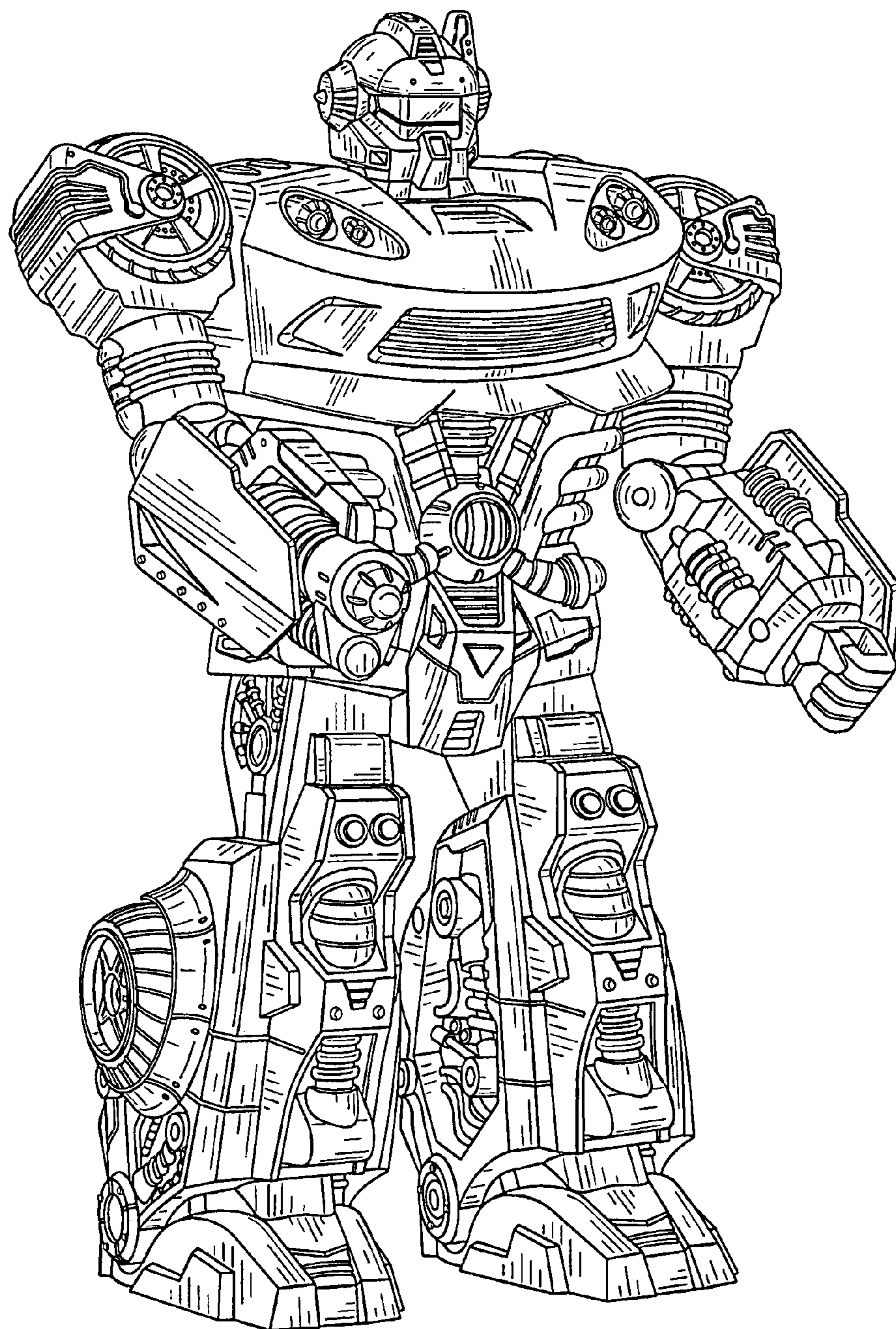


FIG. 1

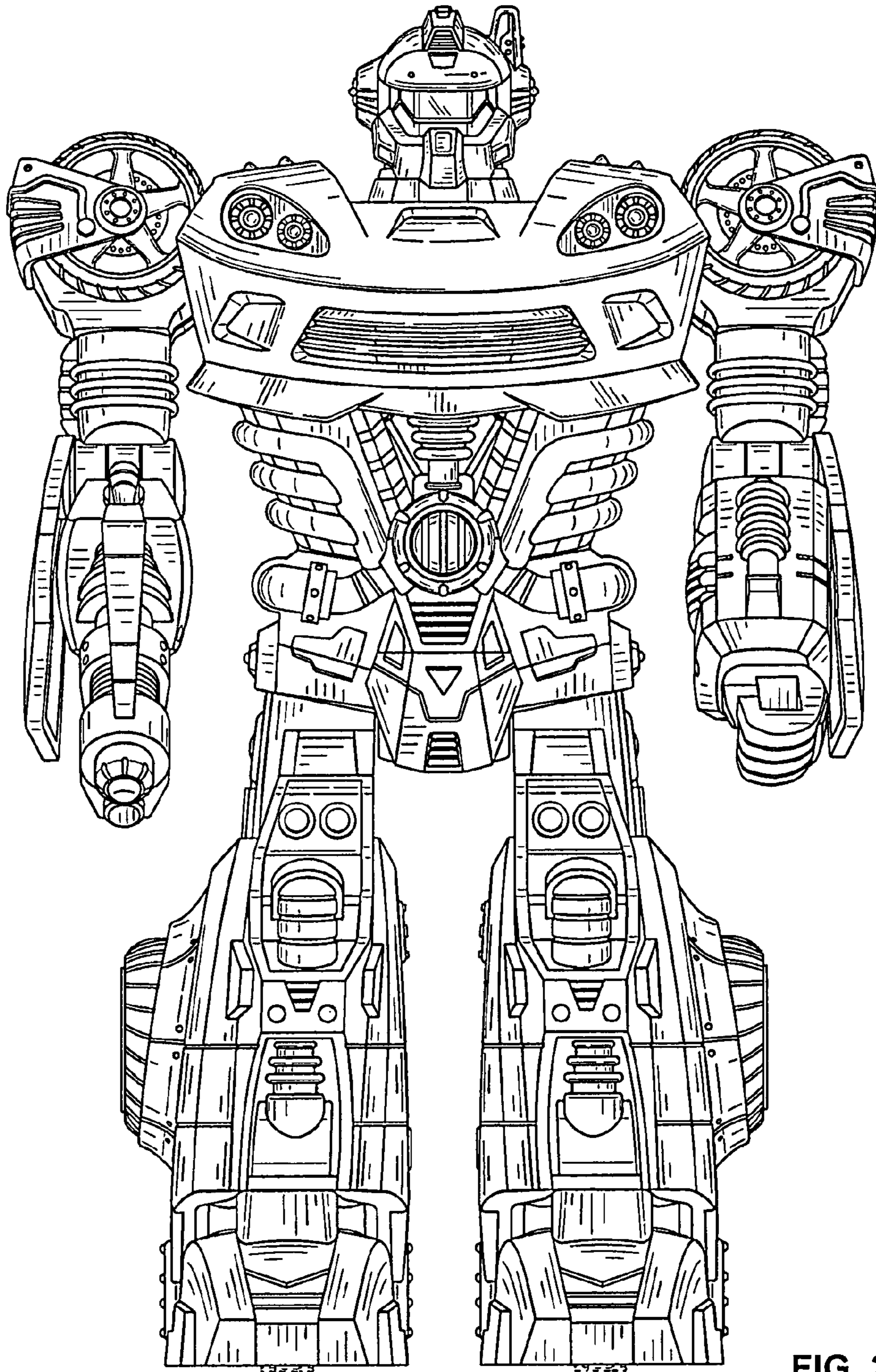


FIG. 2

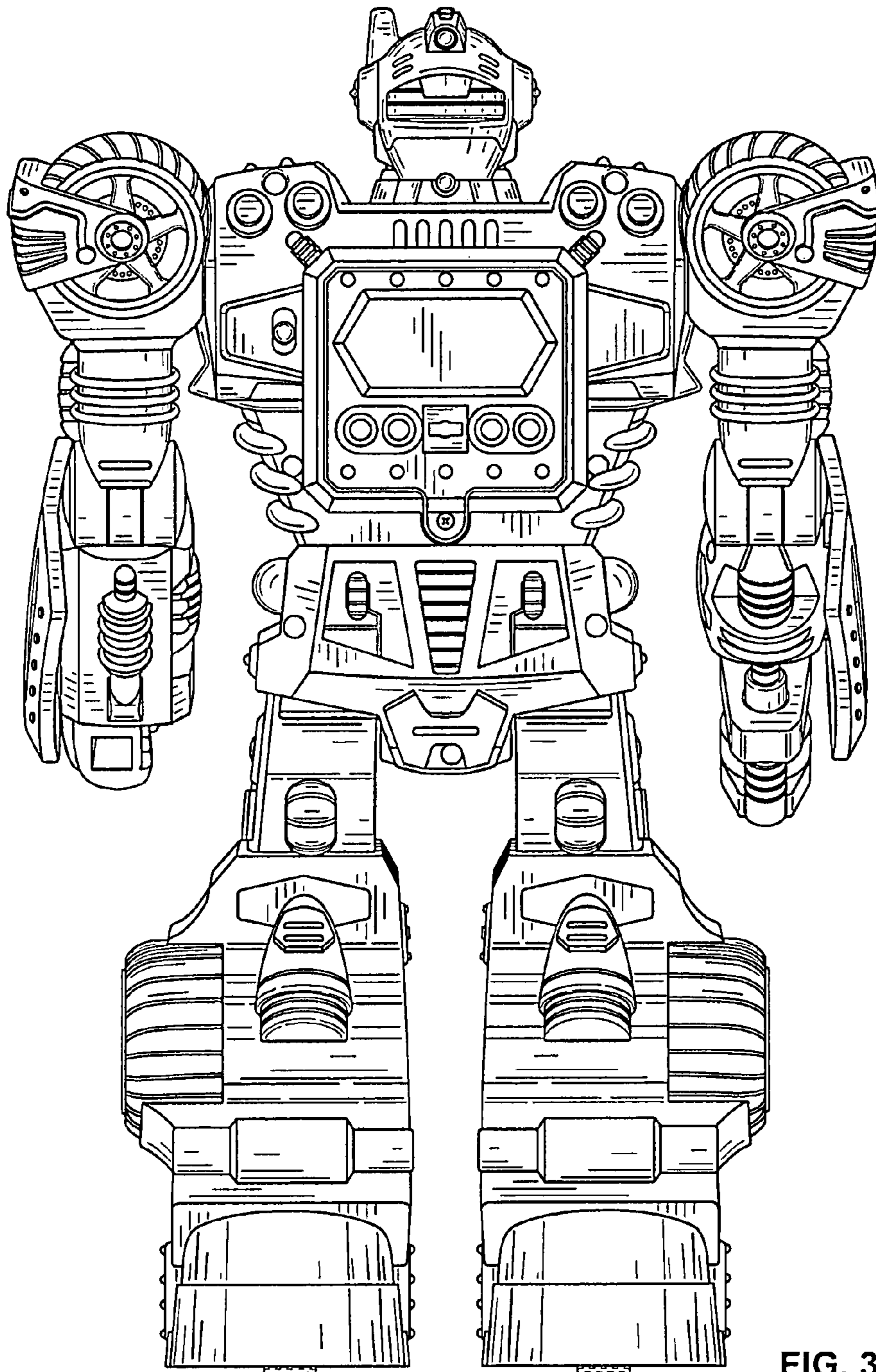


FIG. 3

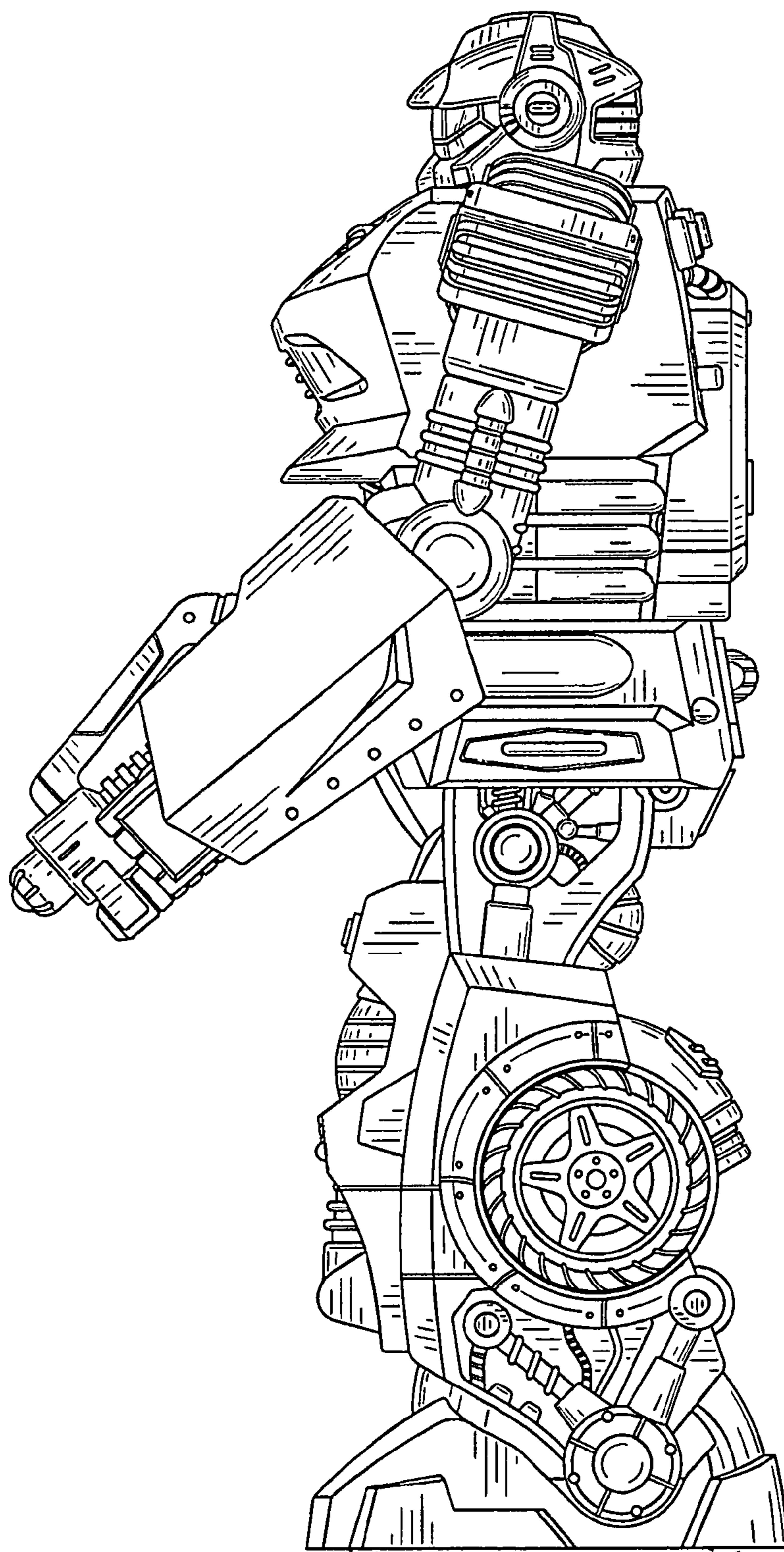


FIG. 4

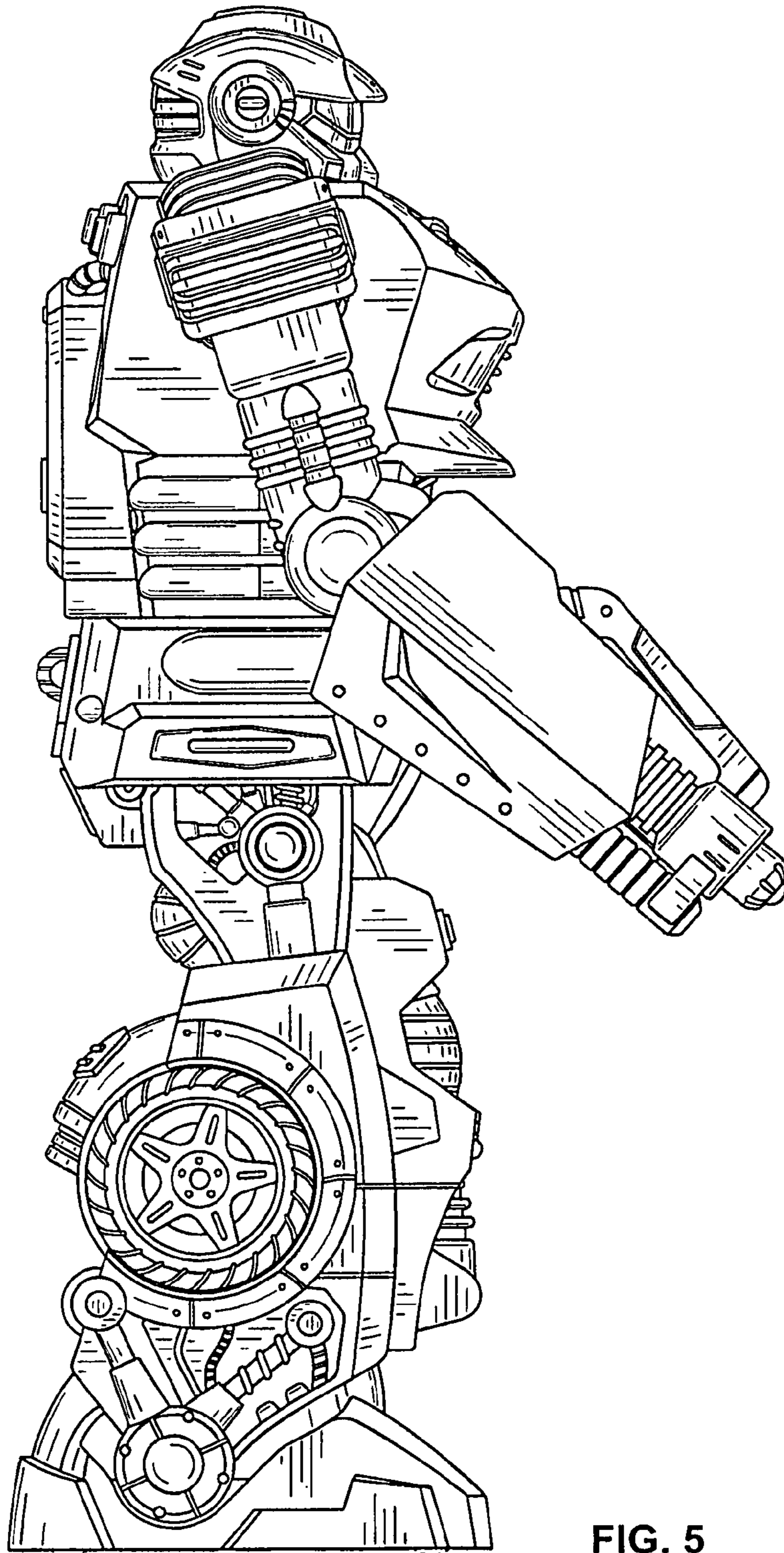


FIG. 5

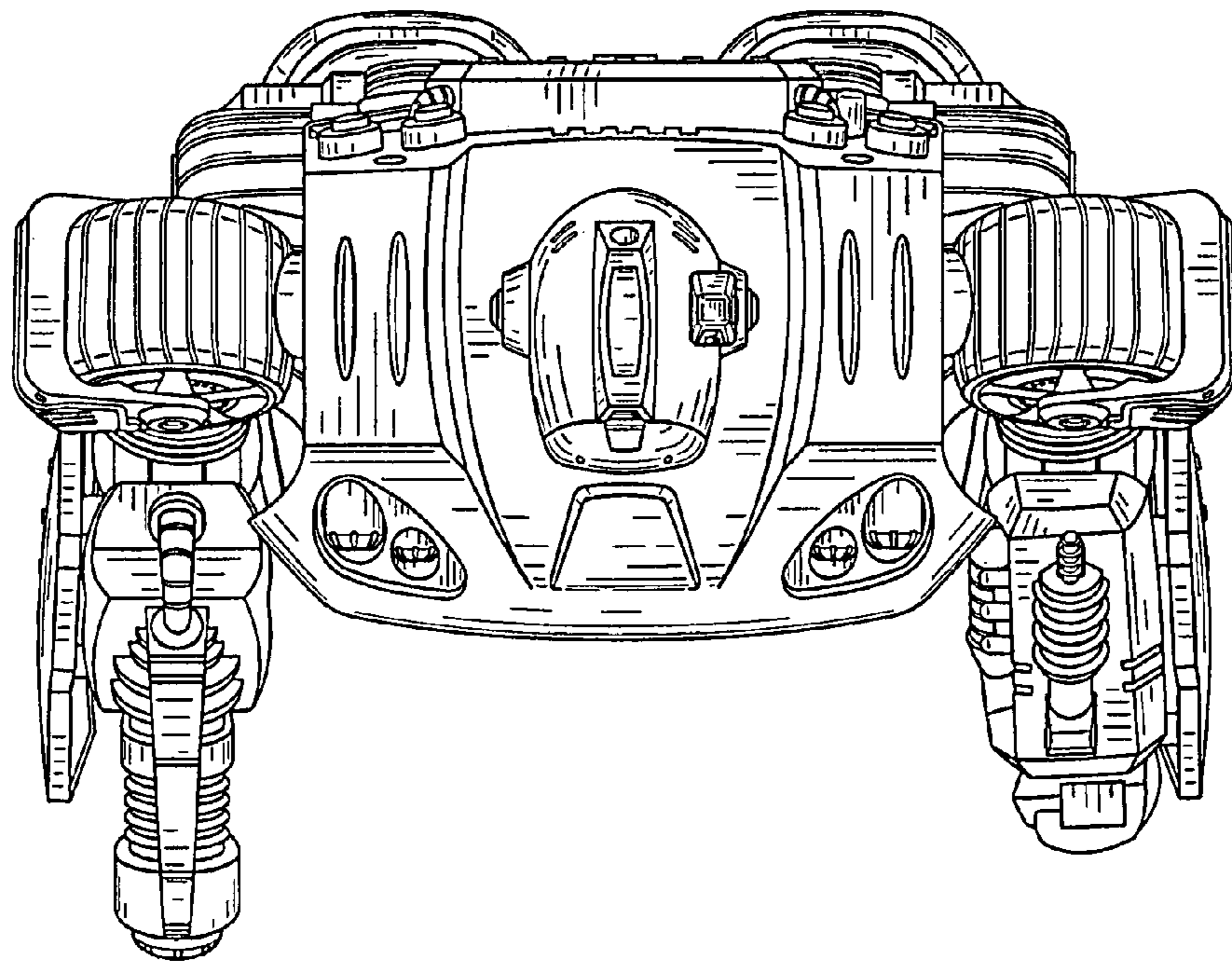


FIG. 6

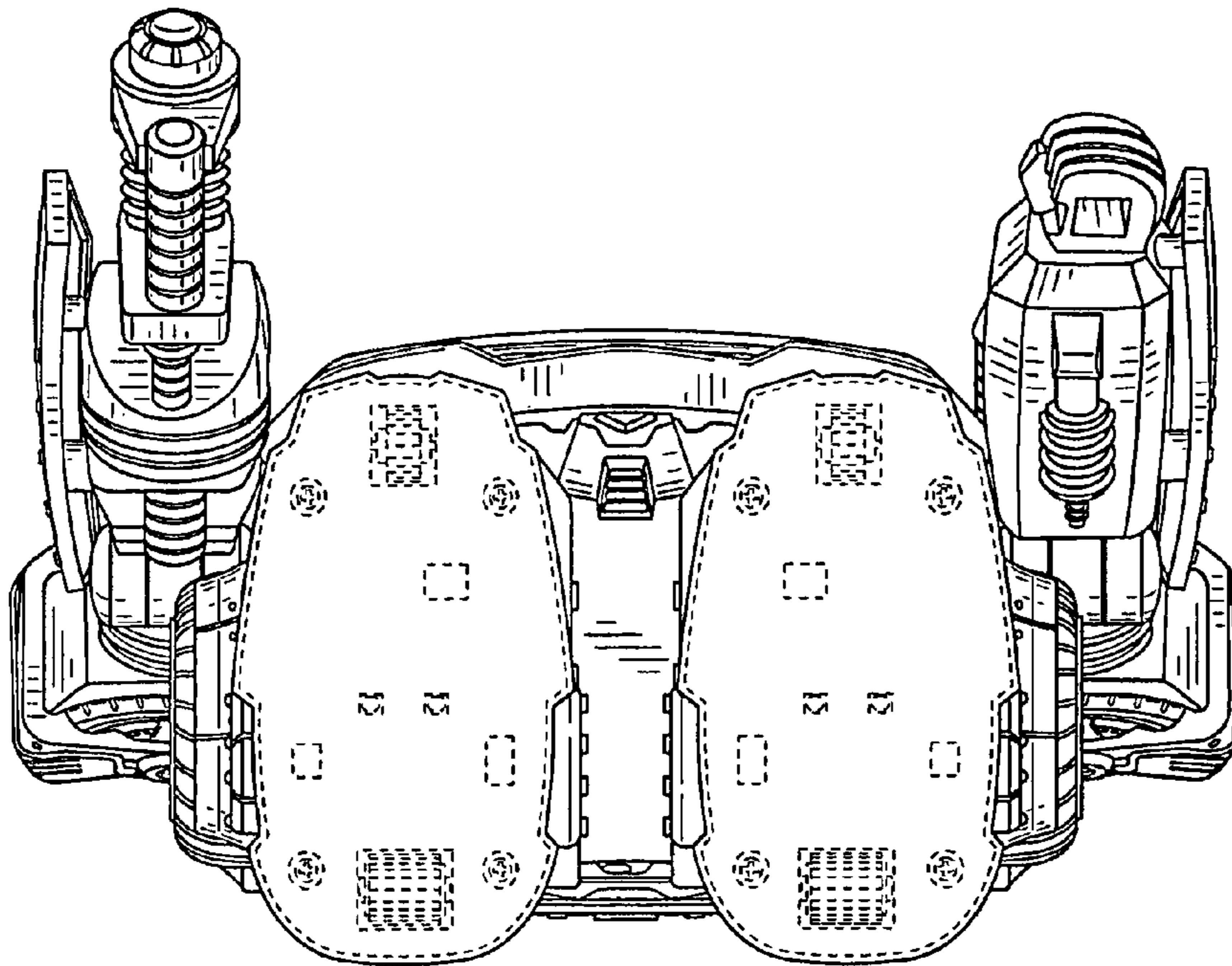


FIG. 7