



US00D689560S

(12) **United States Design Patent**
Ibarra

(10) **Patent No.:** **US D689,560 S**

(45) **Date of Patent:** **** *Sep. 10, 2013**

(54) **TOY WORKOVER RIG**

(76) Inventor: **Santiago Ibarra**, Liberal, KS (US)

(*) Notice: This patent is subject to a terminal disclaimer.

(**) Term: **14 Years**

(21) Appl. No.: **29/347,758**

(22) Filed: **May 18, 2010**

(51) **LOC (9) Cl.** **21-01**

(52) **U.S. Cl.**
USPC **D21/552**

(58) **Field of Classification Search**
USPC D21/533-560; 446/432, 435, 470,
446/465.489

See application file for complete search history.

(56) **References Cited**

U.S. PATENT DOCUMENTS

2,551,036 A 5/1951 Mills
2,846,813 A 8/1958 Giardina
2,960,792 A 11/1960 Cyrus

3,292,301 A 12/1966 Freeman
3,731,428 A 5/1973 Glass et al.
D252,229 S 6/1979 Asano
4,531,654 A 7/1985 Guyon
D380,992 S * 7/1997 McDaniel D21/555
D547,397 S * 7/2007 Sasuga D21/555

* cited by examiner

Primary Examiner — Lisa Lichtenstein

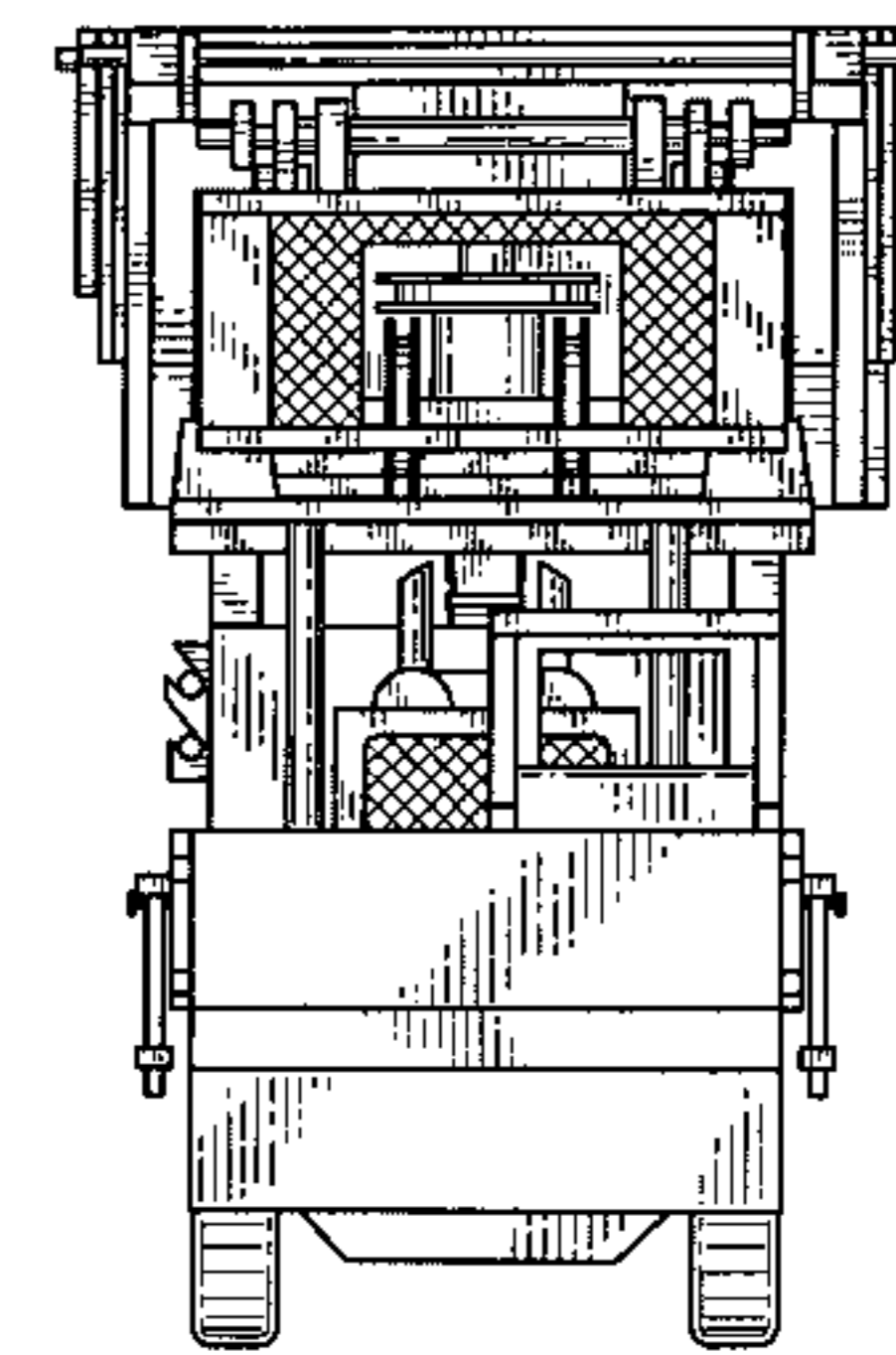
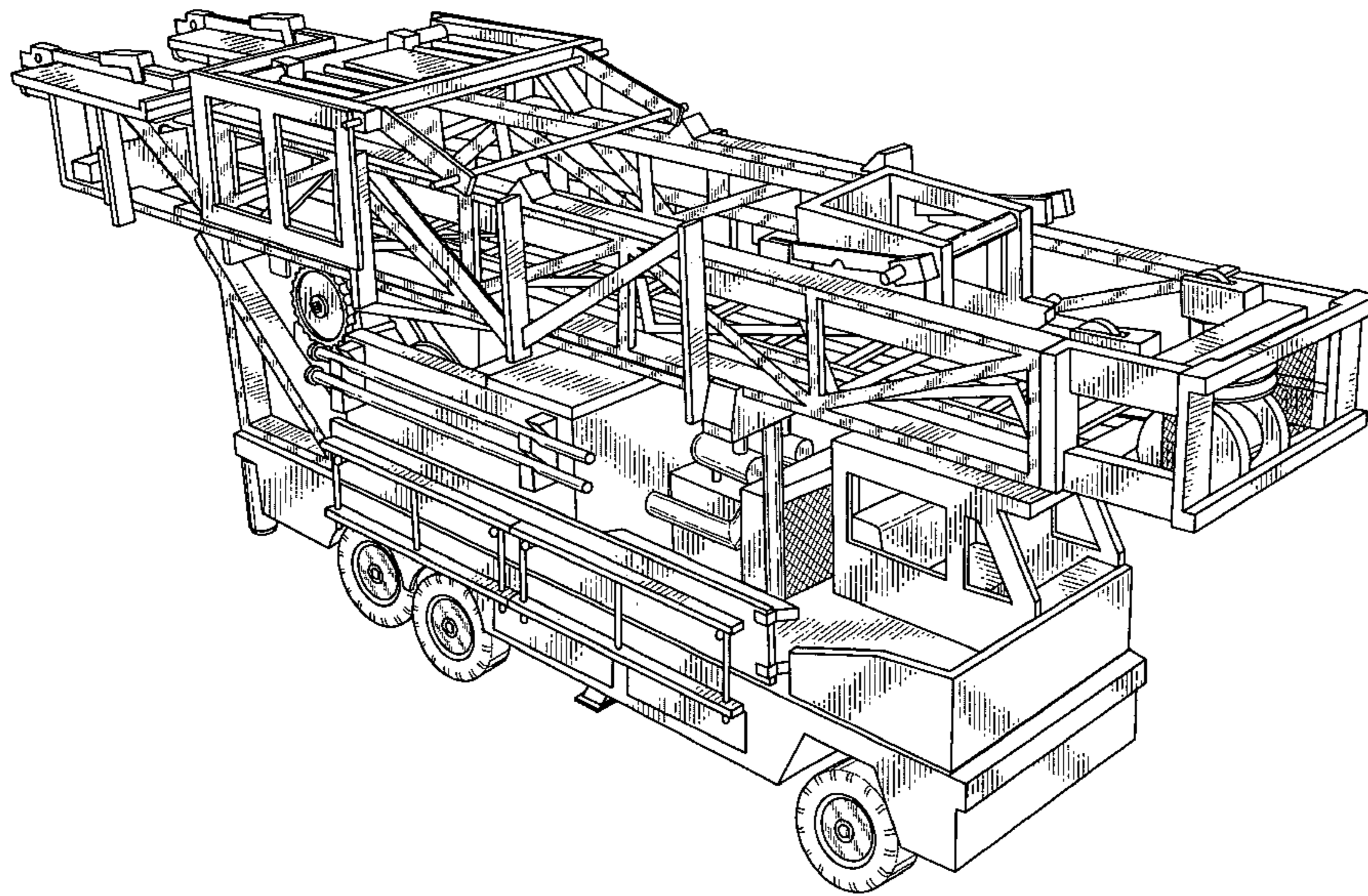
(57) **CLAIM**

The ornamental design for a toy workover rig, as shown and described.

DESCRIPTION

FIG. 1 is a perspective view of a toy workover rig showing my new design;
FIG. 2 is a front elevational view thereof;
FIG. 3 is a right side elevational view thereof;
FIG. 4 is a left side elevational view thereof;
FIG. 5 is a rear elevational view thereof
FIG. 6 is a top plan view thereof; and,
FIG. 7 is a bottom plan view thereof.

1 Claim, 7 Drawing Sheets



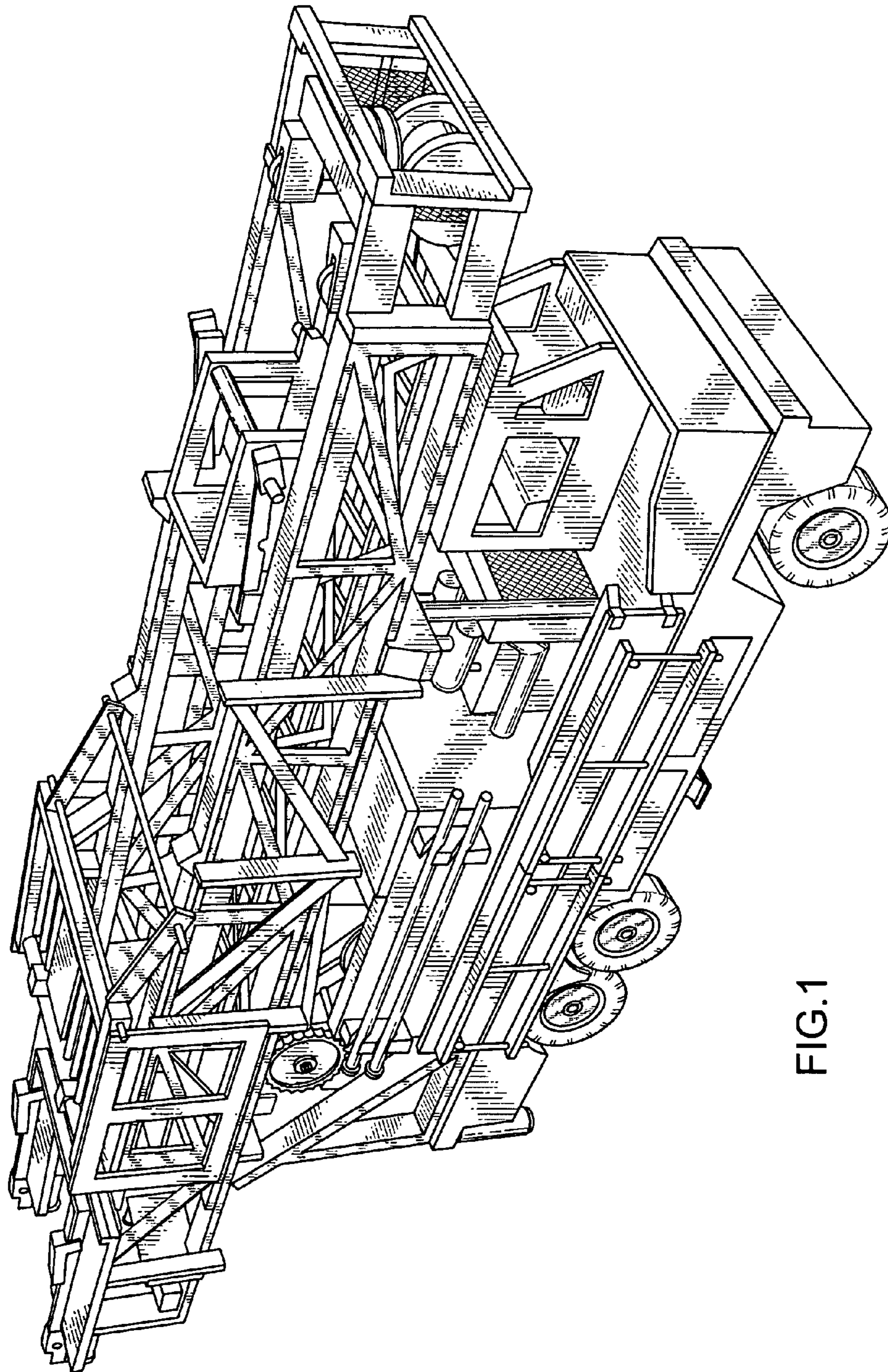


FIG.1

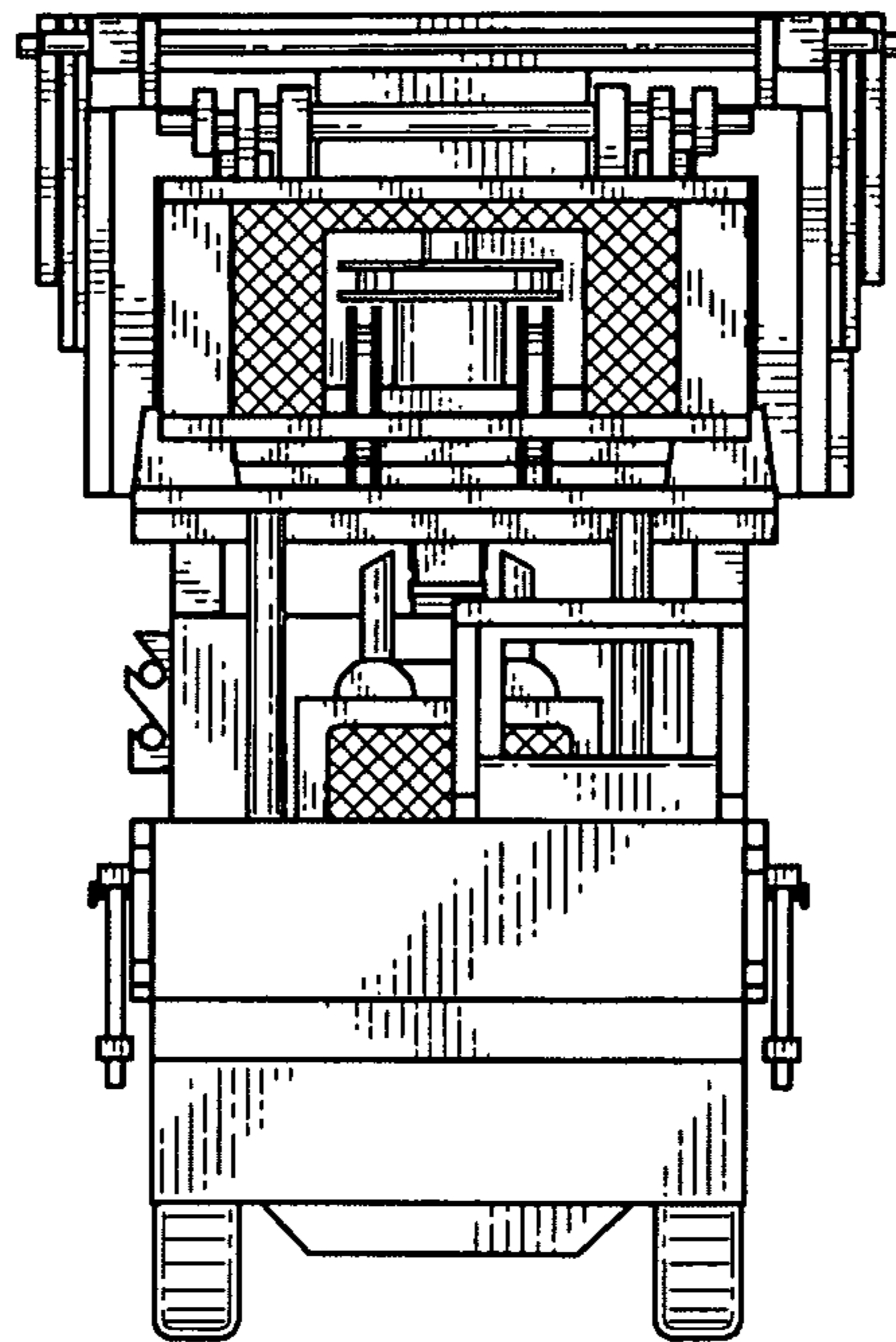


FIG. 2

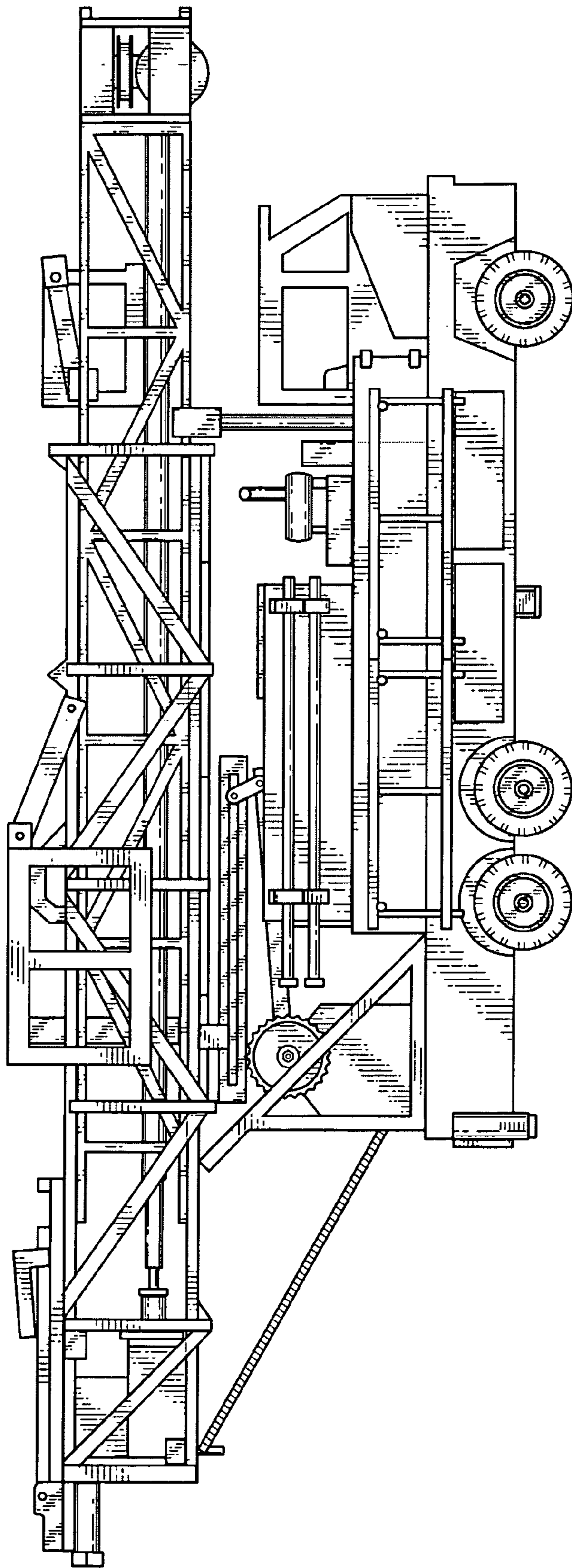


FIG. 3

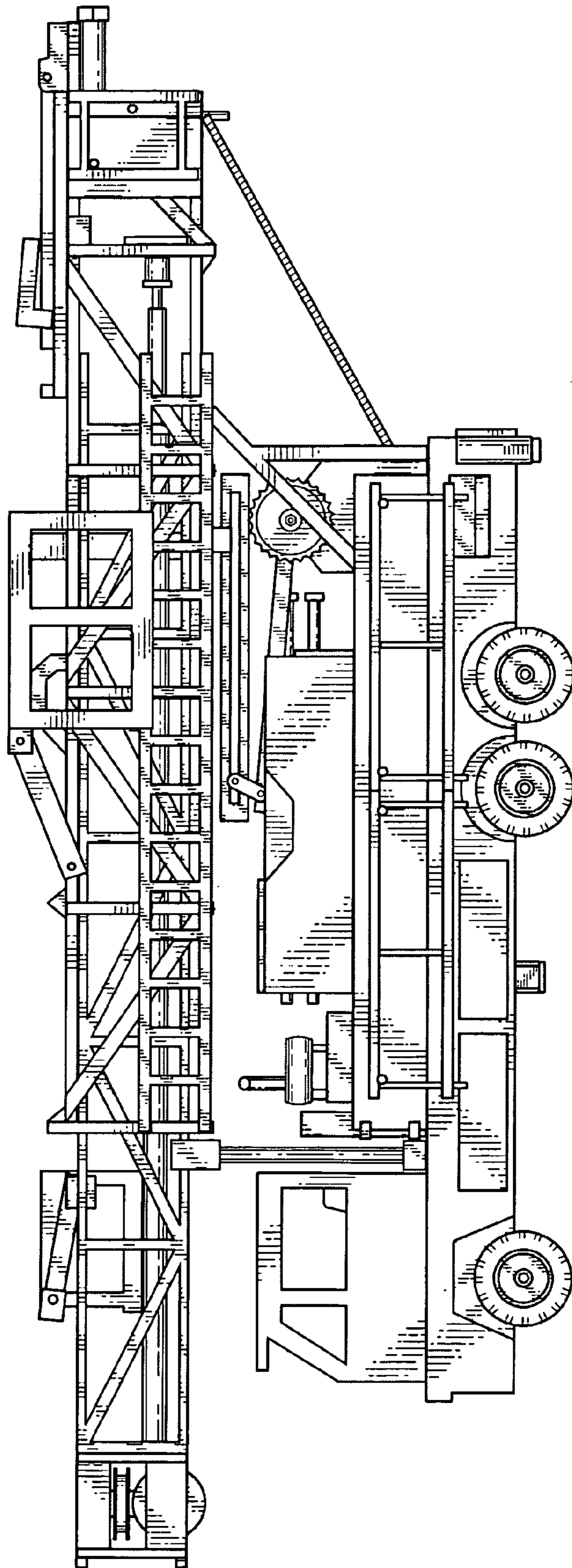


FIG. 4

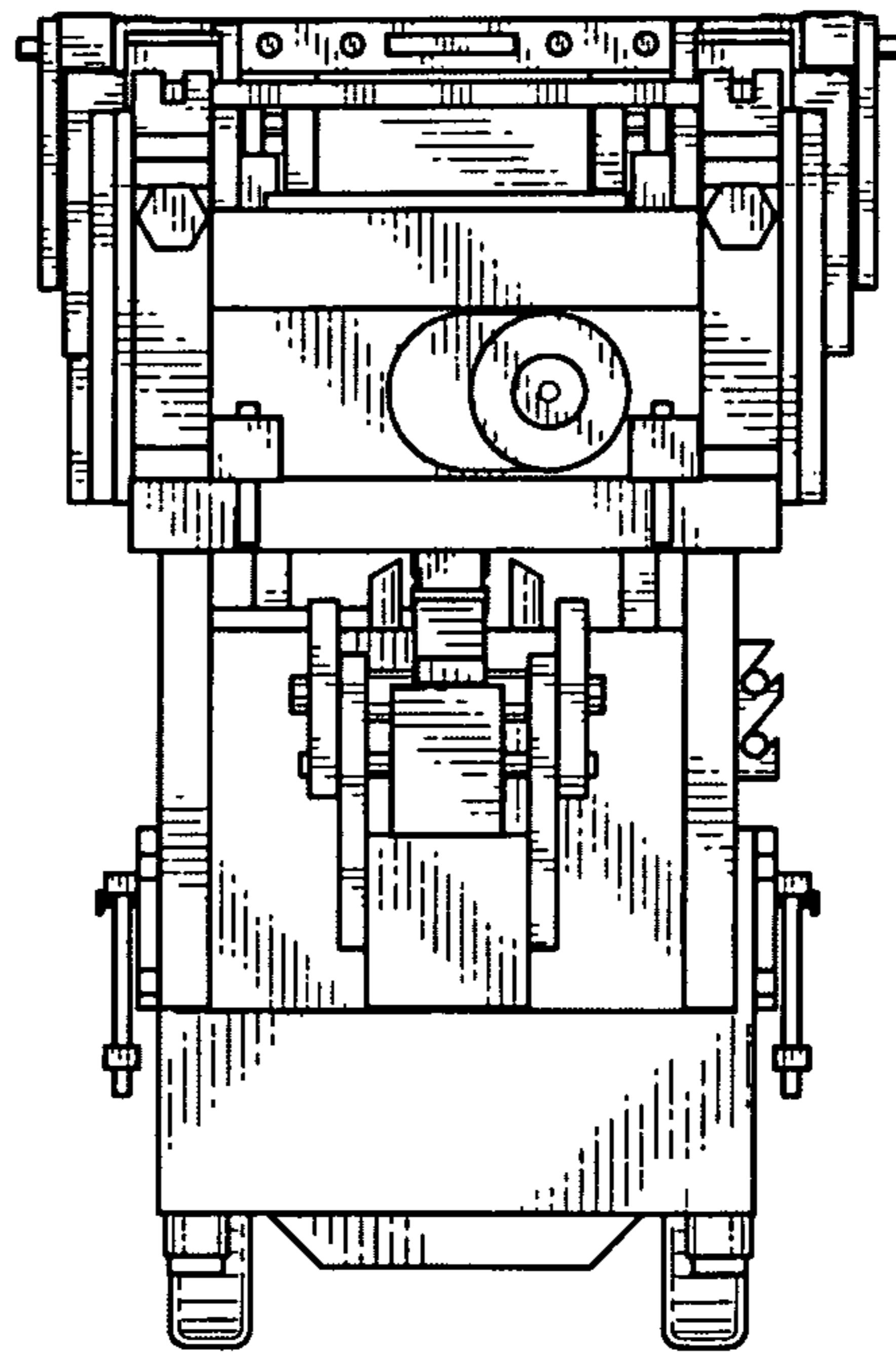


FIG. 5

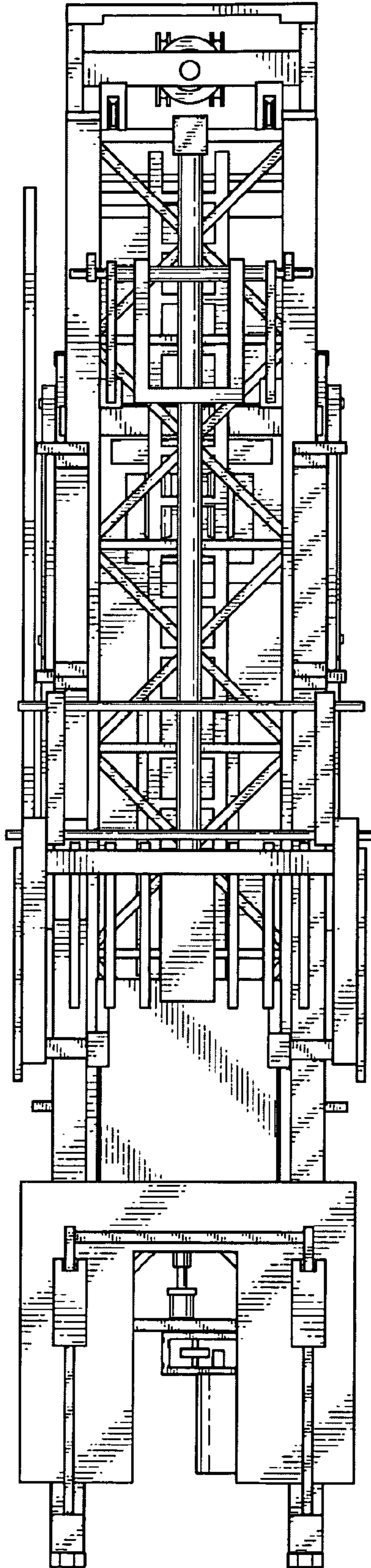


FIG. 6

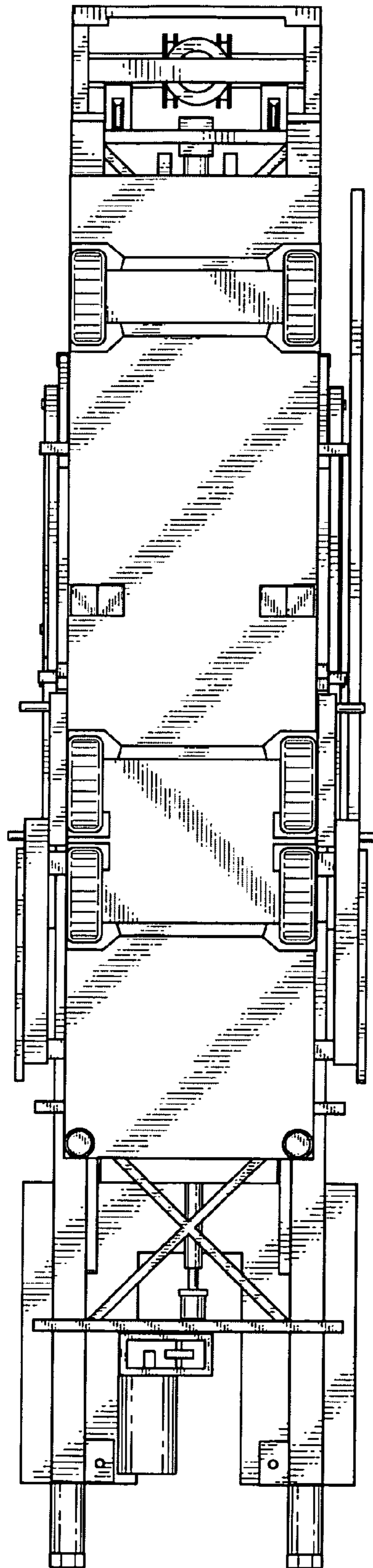


FIG. 7