



US00D689557S

(12) **United States Design Patent**  
**Popadiuk**

(10) **Patent No.:** **US D689,557 S**

(45) **Date of Patent:** **\*\* Sep. 10, 2013**

(54) **PINBALL MACHINE CABINET**

(76) Inventor: **John A. Popadiuk**, Bartlett, IL (US)

(\*\*) Term: **14 Years**

(21) Appl. No.: **29/407,672**

(22) Filed: **Nov. 30, 2011**

(51) **LOC (9) Cl.** ..... **21-01**

(52) **U.S. Cl.**  
USPC ..... **D21/322**

(58) **Field of Classification Search**  
USPC ..... D21/312, 322, 323, 314, 318, 324,  
D21/325, 328-330, 369; 273/108, 108.1,  
273/118 R, 121 R, 121 A, 122 R, 112 A,  
273/138.1; 463/29-35, 46, 47  
See application file for complete search history.

(56) **References Cited**

U.S. PATENT DOCUMENTS

D167,550 S *	8/1952	Williams	.....	D21/312
D260,409 S *	8/1981	Tanaka et al.	.....	D21/323
D273,597 S *	4/1984	Buras et al.	.....	D21/312
D331,078 S *	11/1992	Goodman	.....	D21/322
5,358,244 A *	10/1994	Kaminkow et al.	.....	273/121 A
5,465,965 A *	11/1995	Wurz	.....	273/121 A
5,558,373 A *	9/1996	Lesley et al.	.....	273/119 R

5,741,010 A *	4/1998	Weyna	.....	273/119 A
5,833,235 A *	11/1998	Lesley et al.	.....	273/119 R
5,890,715 A *	4/1999	Gomez et al.	.....	273/118 A
7,201,373 B2 *	4/2007	SanFelice	.....	273/118 R
D579,055 S *	10/2008	Popadiuk et al.	.....	D21/323

\* cited by examiner

*Primary Examiner* — Prabhakar Deshmukh

(74) *Attorney, Agent, or Firm* — Marsh IP Law

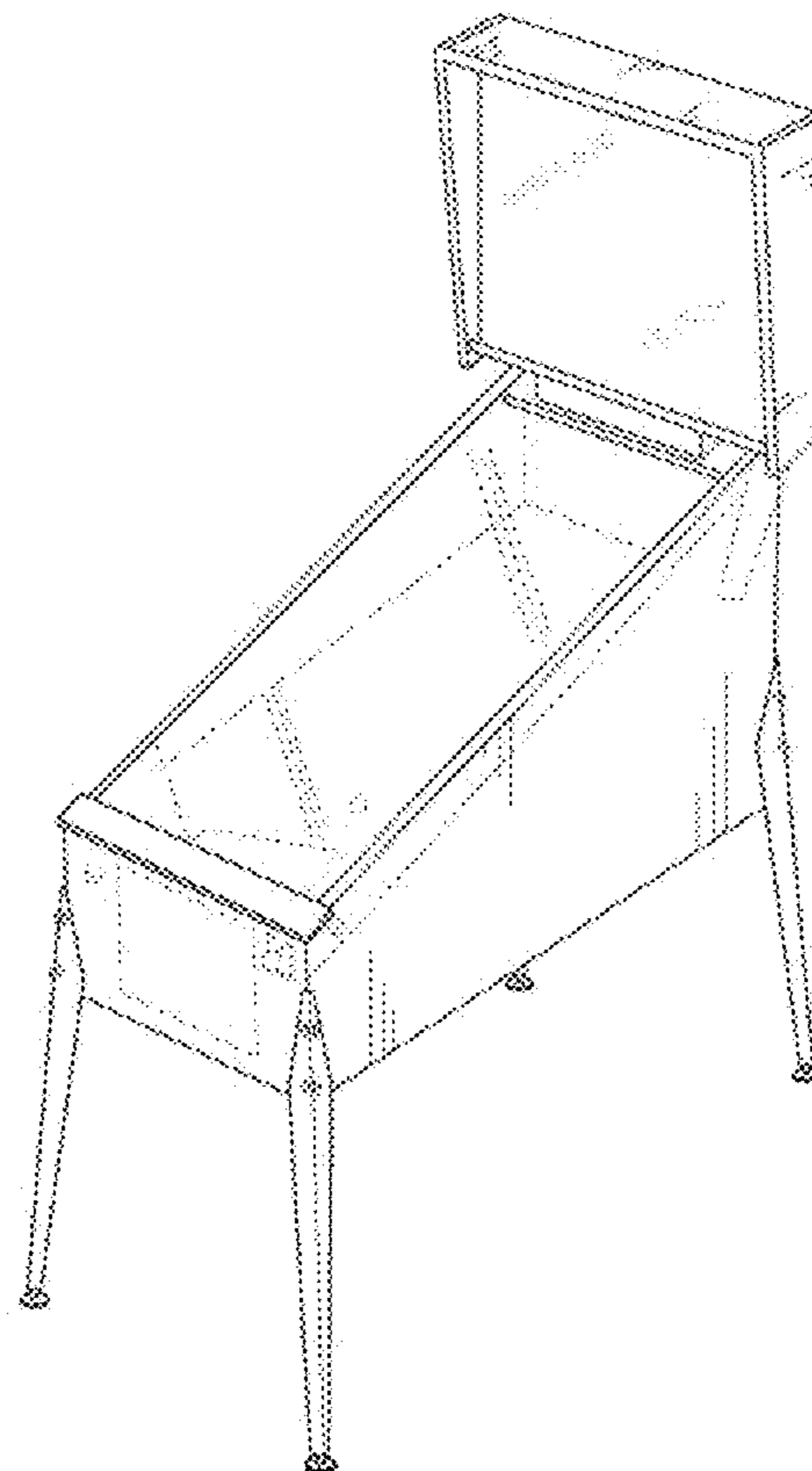
(57) **CLAIM**

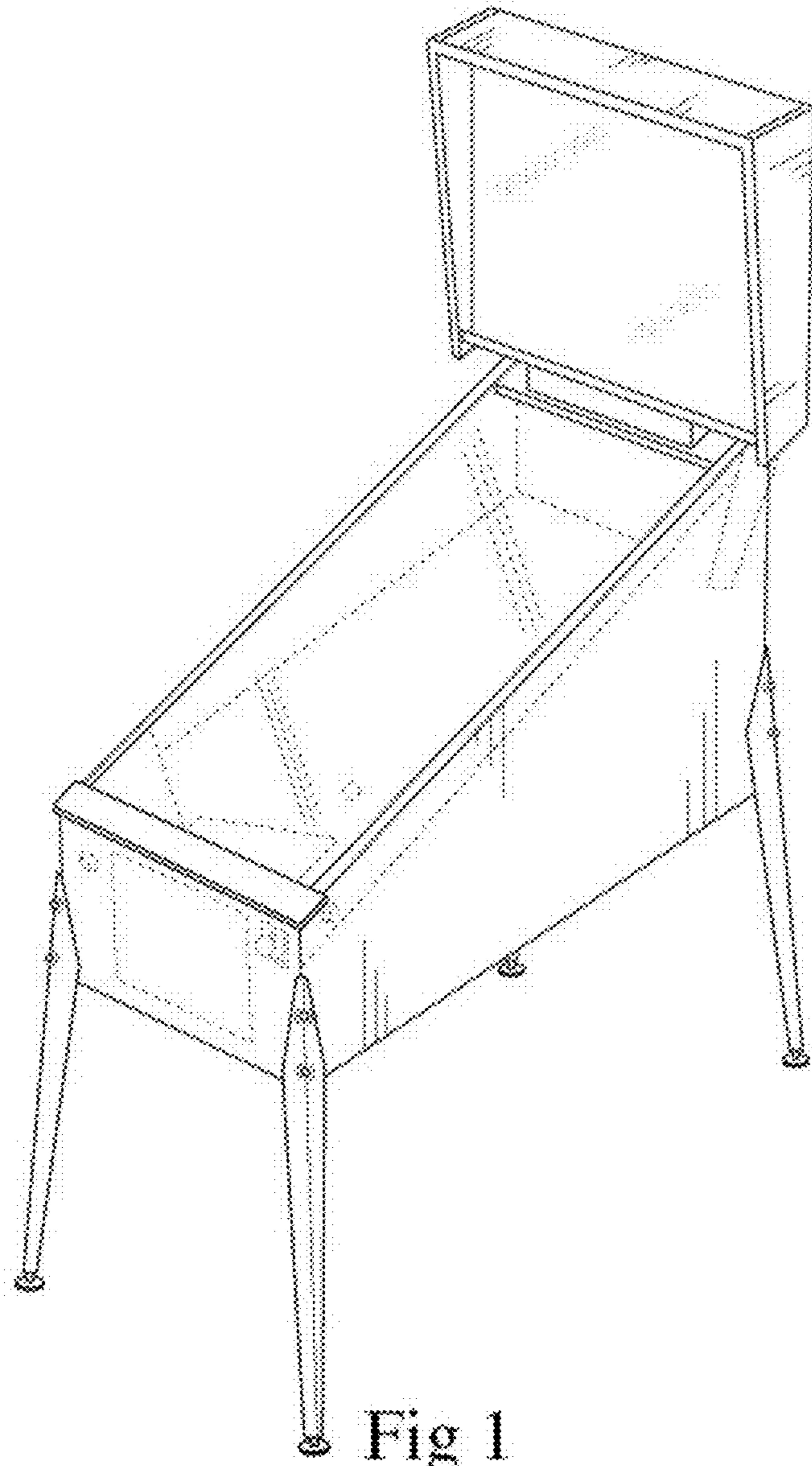
The ornamental design for a pinball machine cabinet, as shown and described.

**DESCRIPTION**

FIG. 1 is a perspective view showing a new design for a pinball machine cabinet;  
FIG. 2 is a right side elevational view of the pinball machine cabinet shown in FIG. 1;  
FIG. 3 is a left side elevational side view thereof;  
FIG. 4 is a rear elevational side view thereof;  
FIG. 5 is a front elevational side view thereof;  
FIG. 6 is a top plan view thereof; and,  
FIG. 7 is a bottom plan view thereof.  
The phantom lines are for illustrative purposes only, and form no part of the design.

**1 Claim, 7 Drawing Sheets**





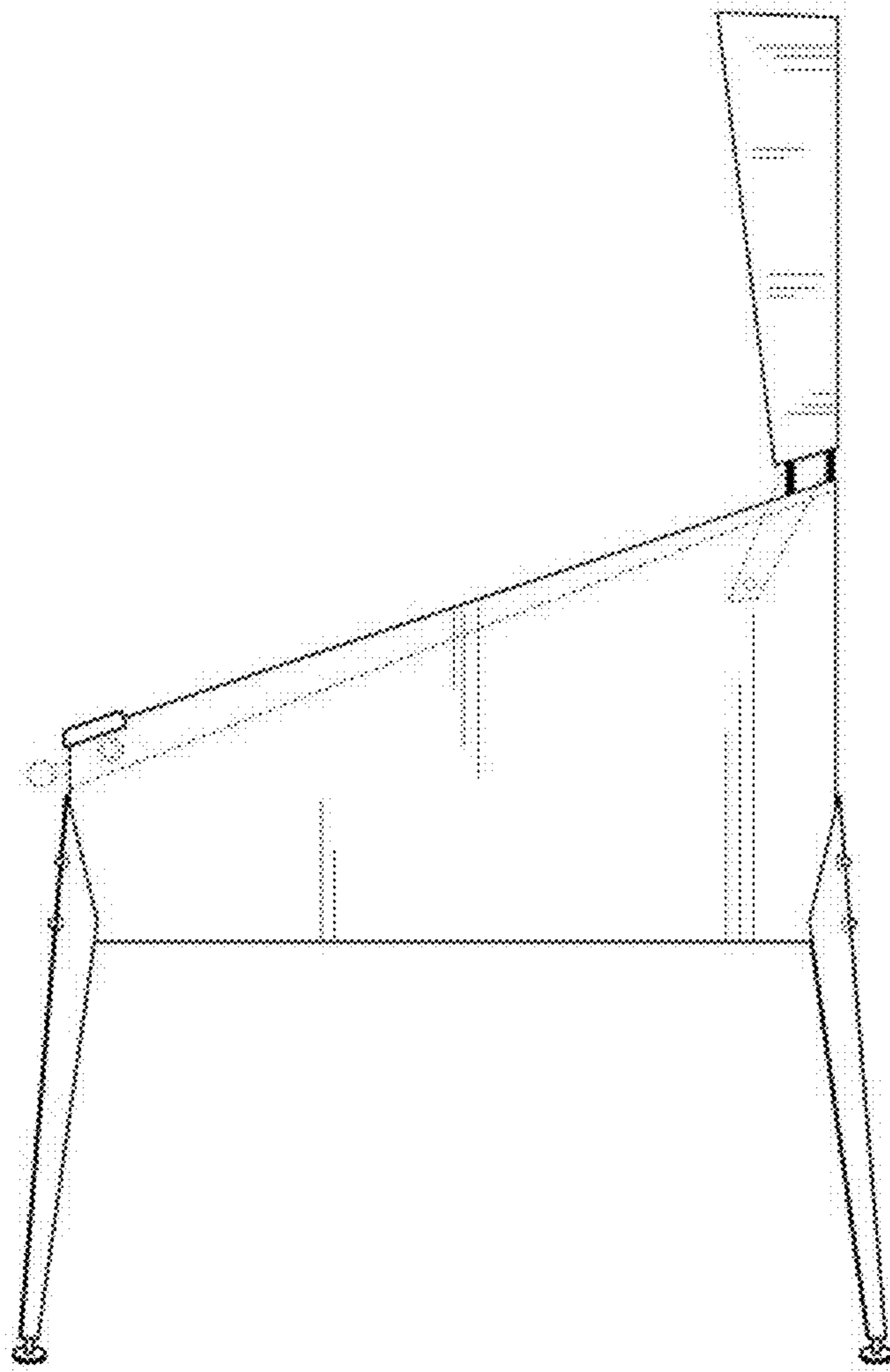


Fig 2

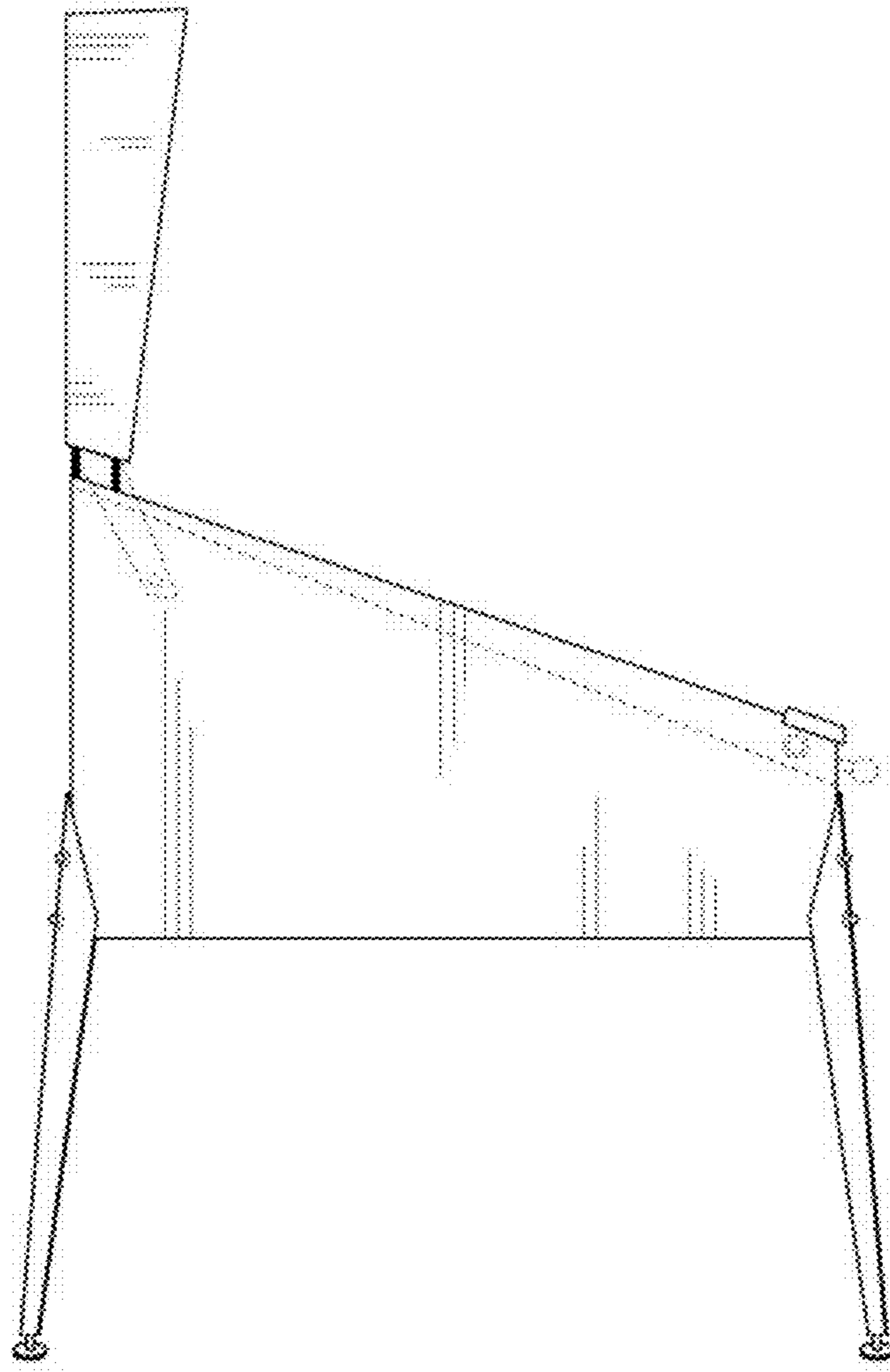


Fig 3

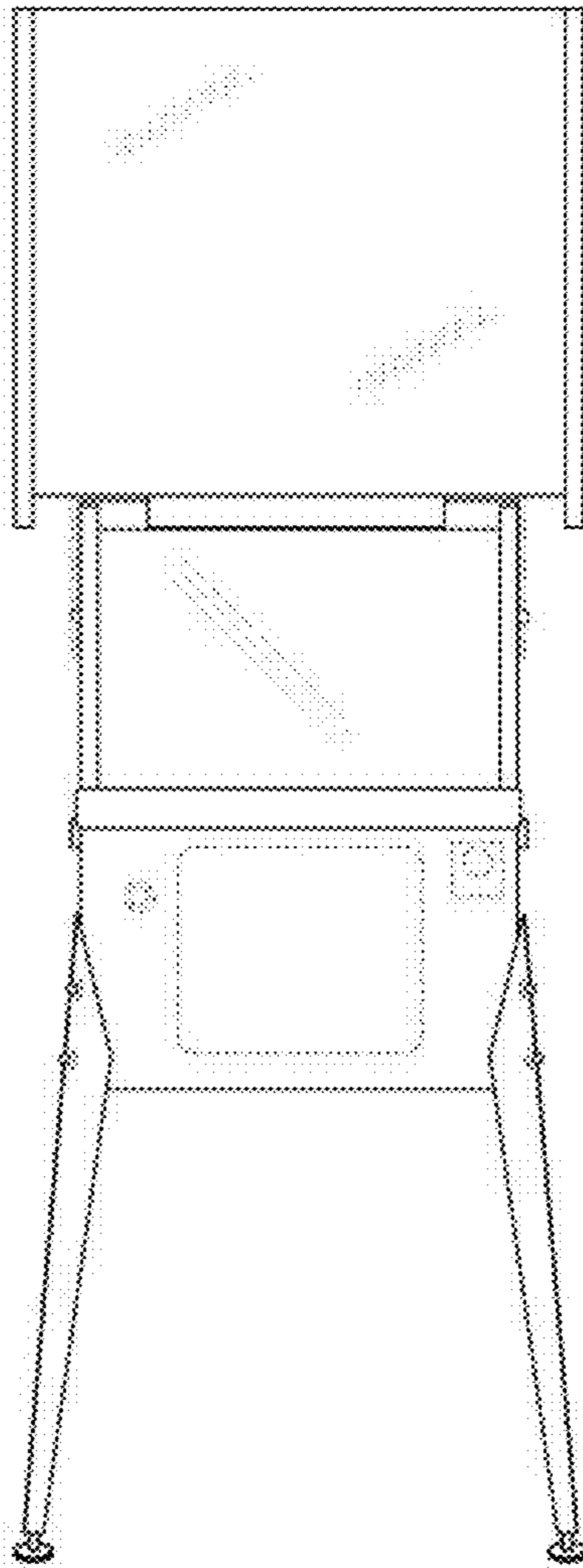


Fig 4

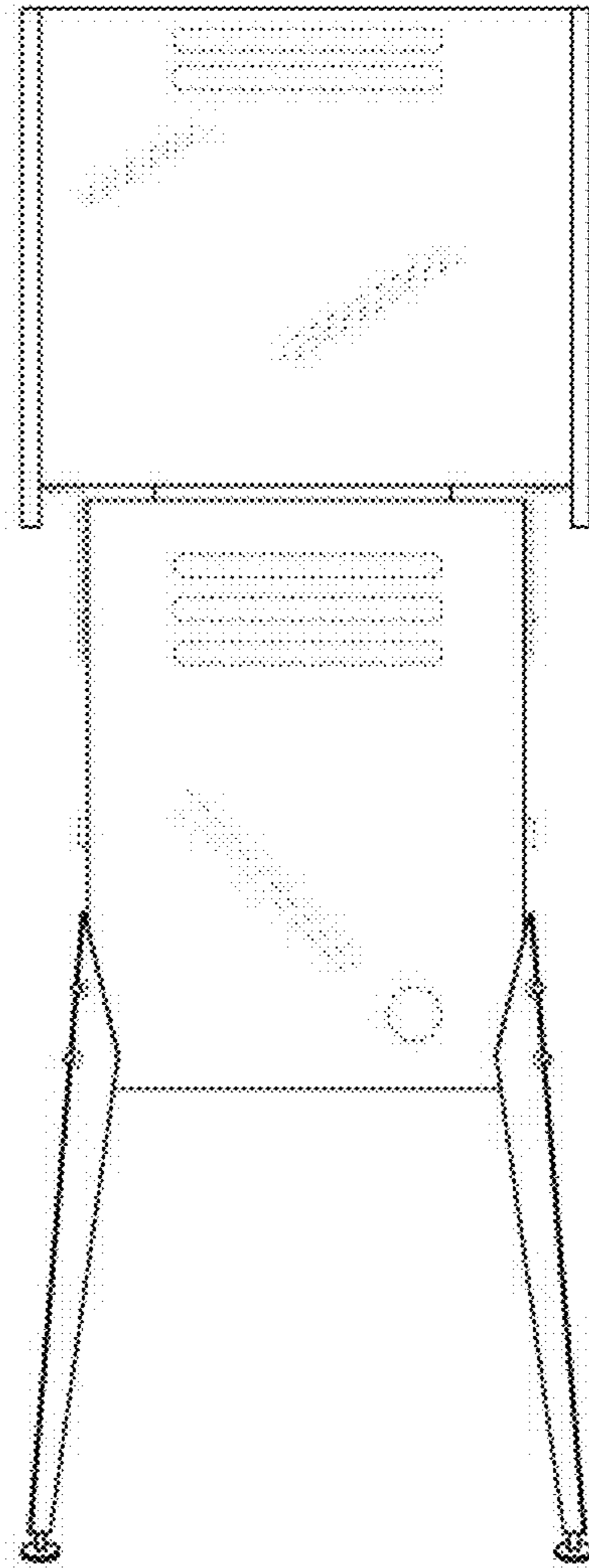


Fig 5

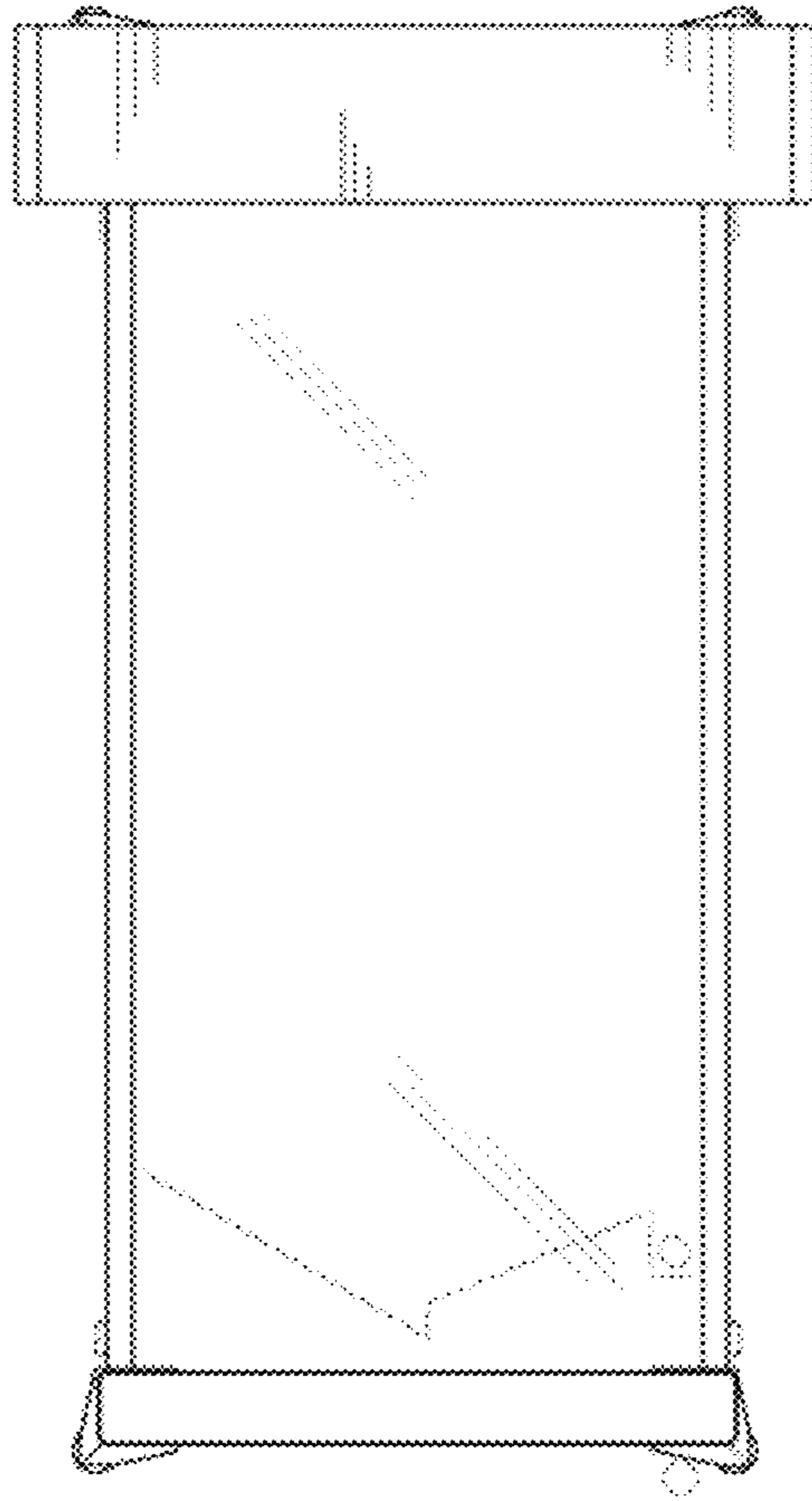


Fig 6

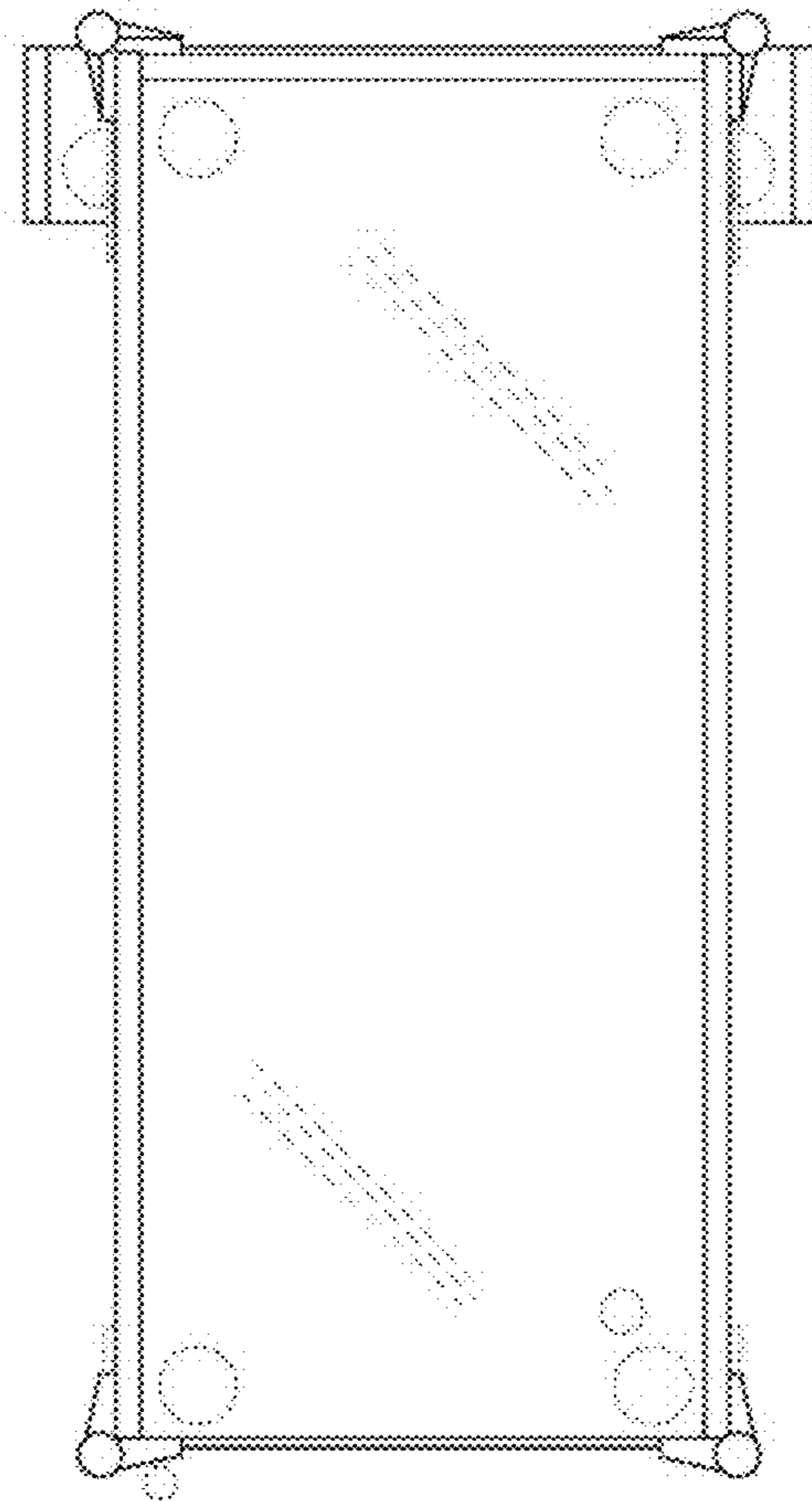


Fig 7