

US00D689555S

(12) **United States Design Patent**  
**Theobald**

(10) **Patent No.:** **US D689,555 S**

(45) **Date of Patent:** **\*\* Sep. 10, 2013**

(54) **VENDING MACHINE BEZEL**

(75) Inventor: **Paul Theobald**, Pitstone (GB)

(73) Assignee: **MEI, Inc.**, Malvern, PA (US)

(\*\*) Term: **14 Years**

(21) Appl. No.: **29/420,470**

(22) Filed: **May 9, 2012**

(51) **LOC (9) Cl.** ..... **20-01**

(52) **U.S. Cl.**  
USPC ..... **D20/8; D20/9**

(58) **Field of Classification Search**  
USPC ..... D20/1-9; 194/205, 206, 244, 321,  
194/345, 346, 350; D18/28, 43, 3.3, 4.4;  
235/381

See application file for complete search history.

(56) **References Cited**

**U.S. PATENT DOCUMENTS**

D359,765 S \* 6/1995 Izawa ..... D20/9  
D498,795 S \* 11/2004 Nunn ..... D20/8

D506,509 S \* 6/2005 Nunn ..... D20/9  
D525,659 S \* 7/2006 Paczkowski et al. .... D20/8  
8,157,167 B2 \* 4/2012 Cost et al. .... 235/381  
2009/0321516 A1 \* 12/2009 Yang ..... 235/381

\* cited by examiner

*Primary Examiner* — Mary Ann Calabrese

(74) *Attorney, Agent, or Firm* — Mintz Levin Cohn Ferris  
Glovsky and Popeo, P.C.

(57) **CLAIM**

The ornamental design for a vending machine bezel, as shown  
and described.

**DESCRIPTION**

FIG. 1 is a perspective view of the invention without a bill  
acceptor.

FIG. 2 is a front view of the invention.

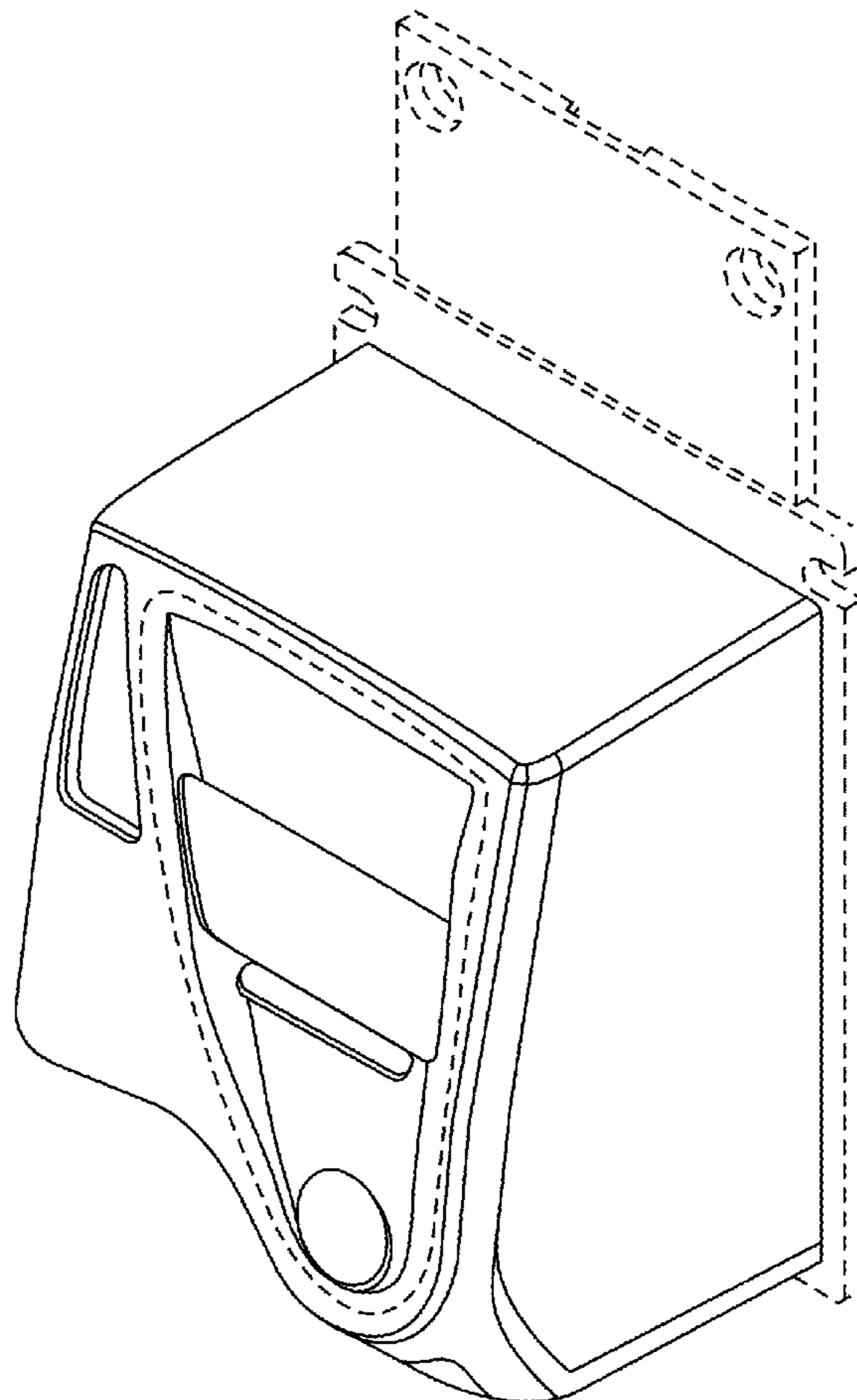
FIG. 3 is a right profile view of the invention.

FIG. 4 is a left profile view of the invention; and,

FIG. 5 is an enlarged top view of the invention.

The portions shown in broken lines form no part of the  
claimed design.

**1 Claim, 4 Drawing Sheets**



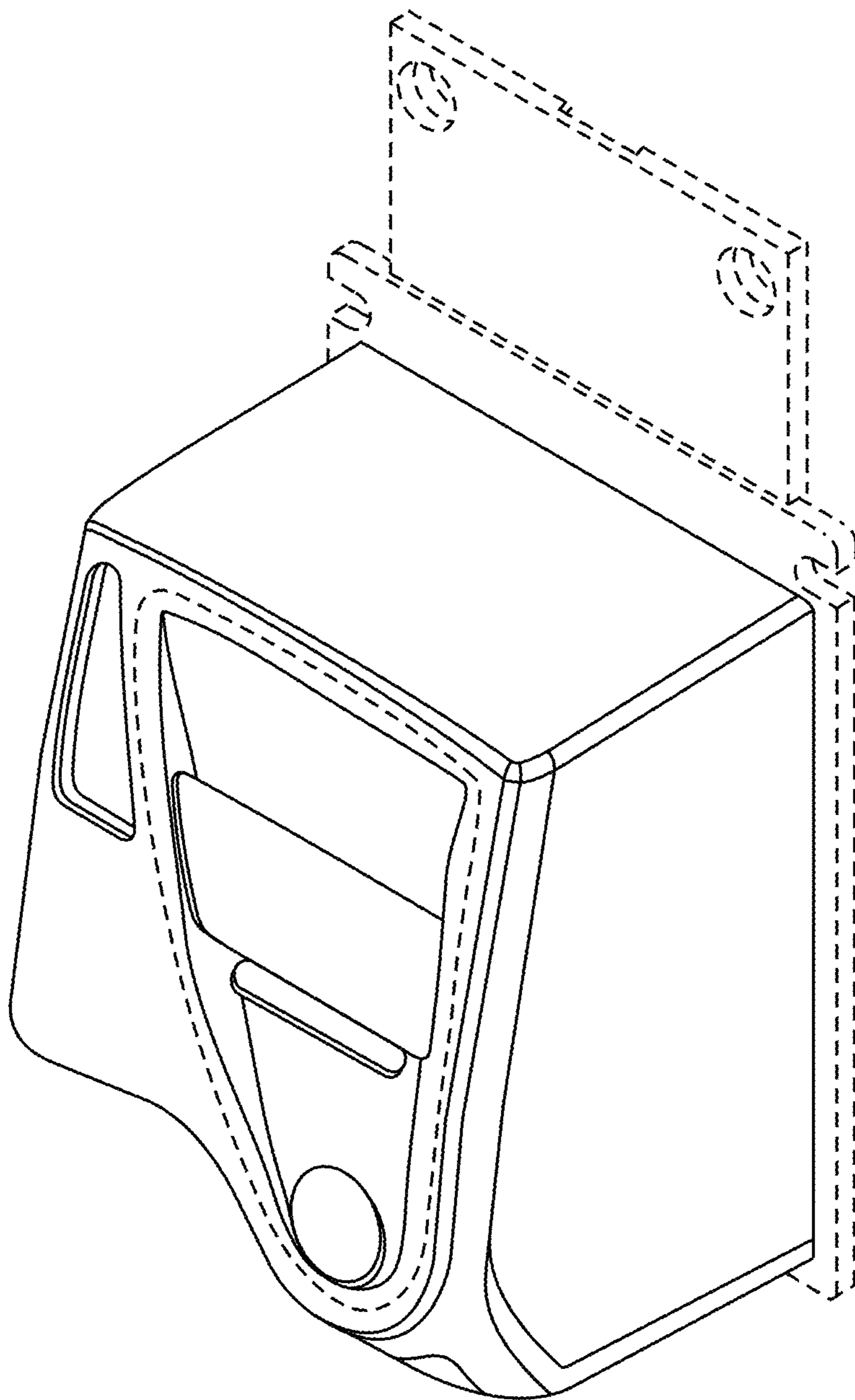


FIG. 1

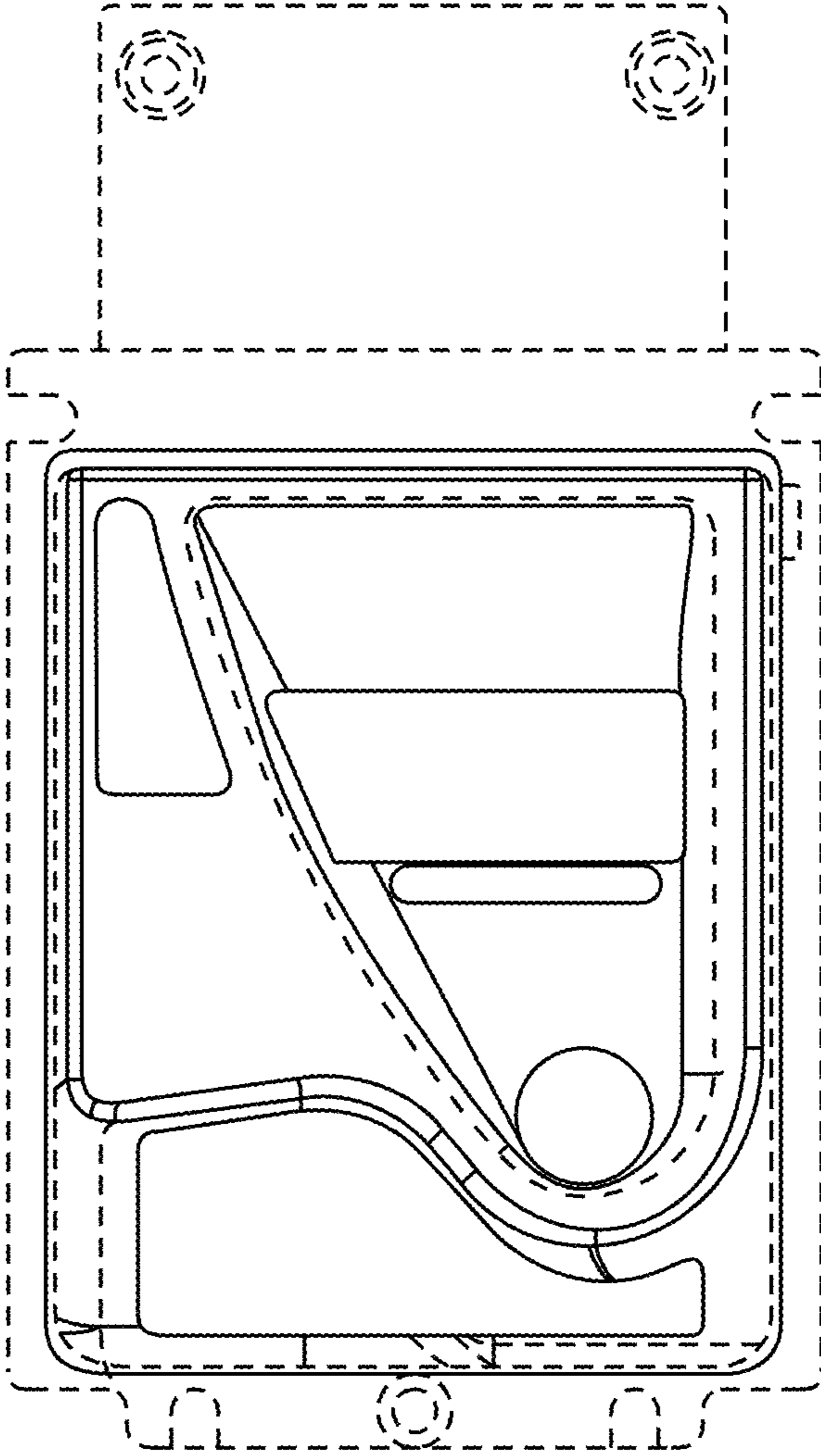


FIG. 2

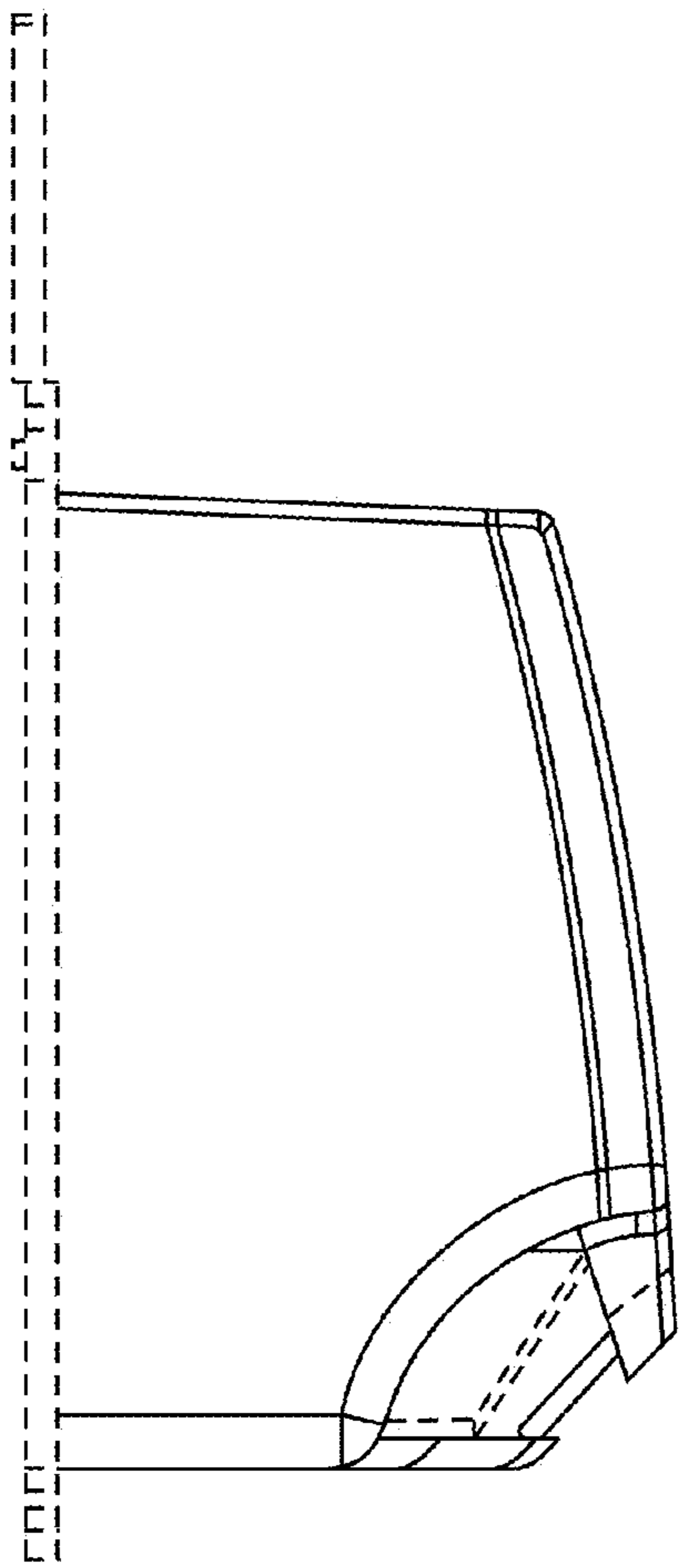


FIG. 3

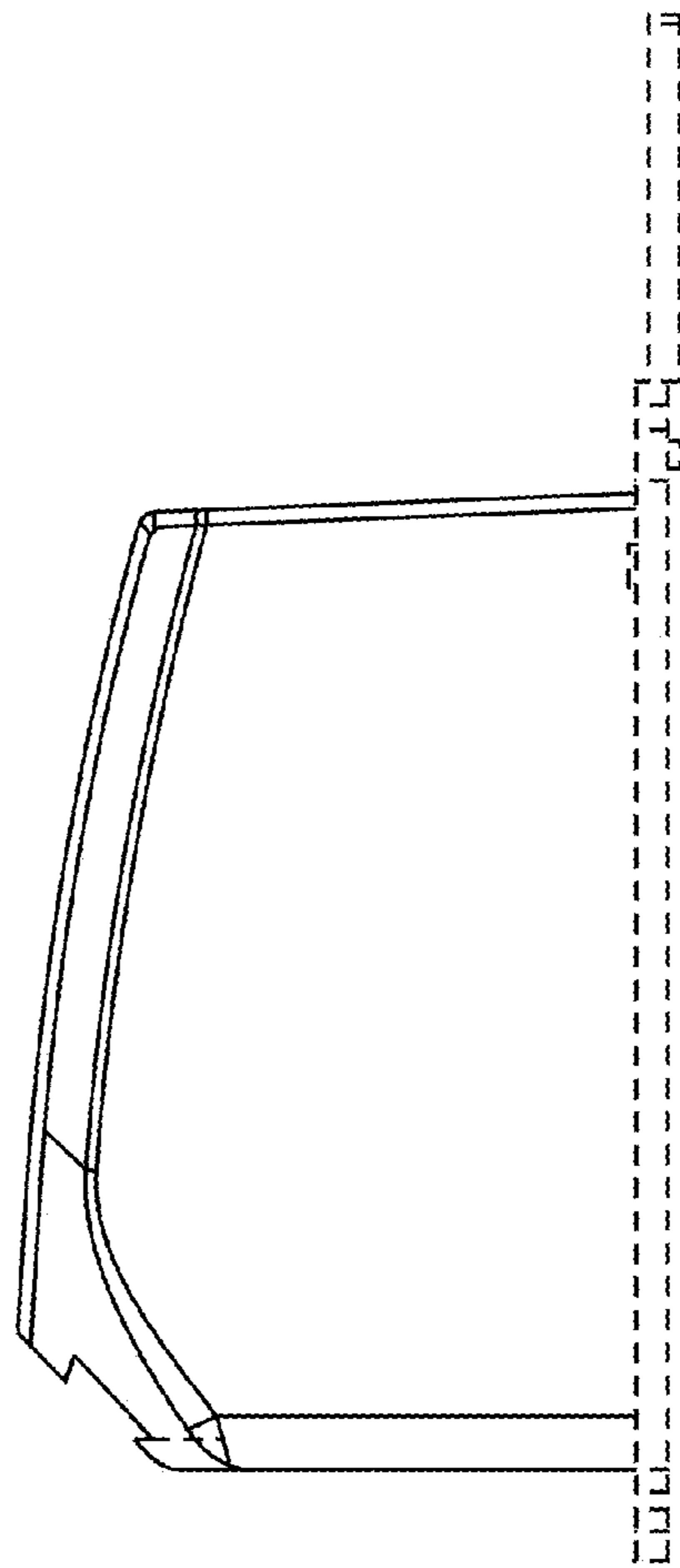


FIG. 4

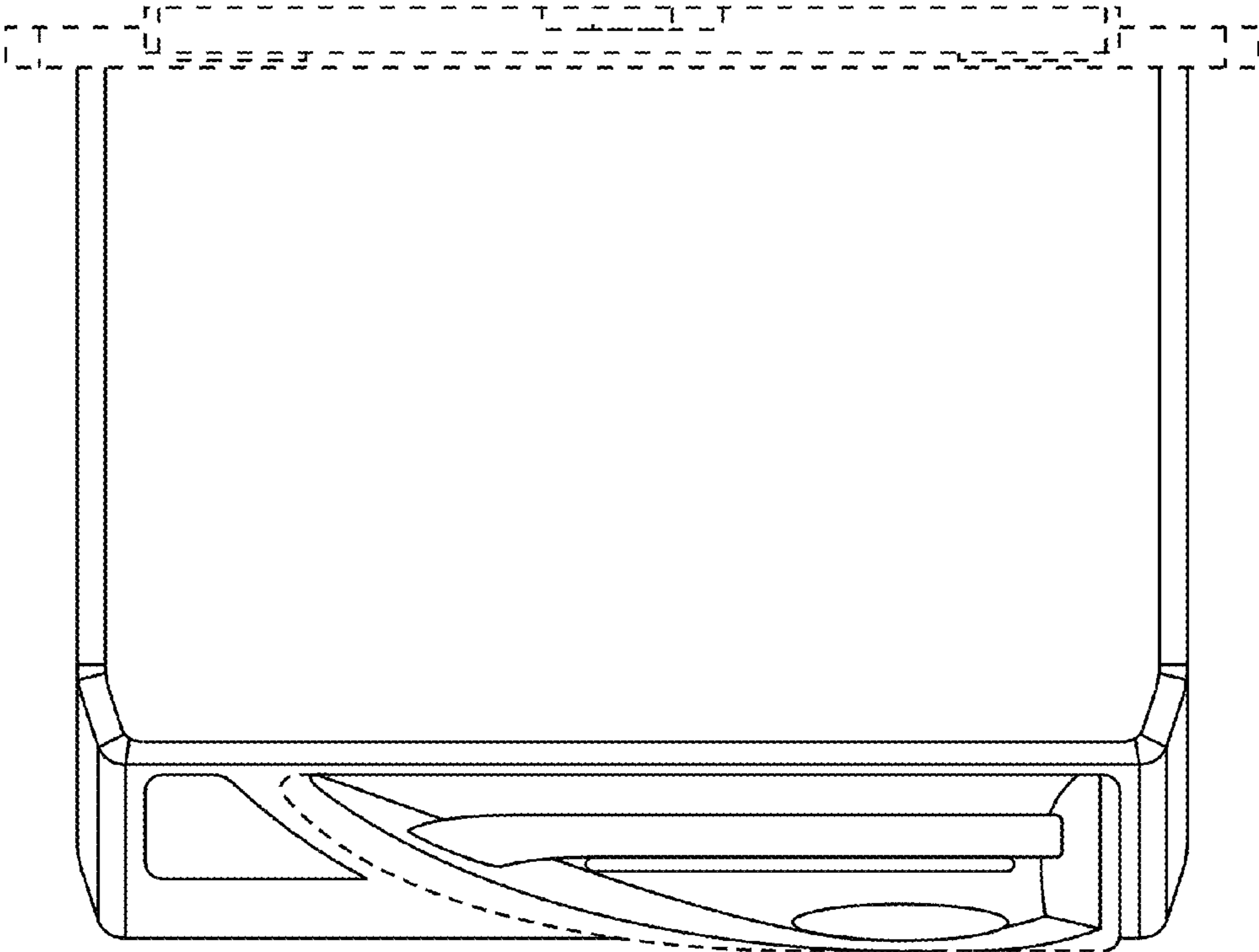


FIG. 5