



US00D689553S

(12) **United States Design Patent**
Echanove Hernandez et al.

(10) **Patent No.:** **US D689,553 S**

(45) **Date of Patent:** **** Sep. 10, 2013**

(54) **TICKET DISPENSER**

(75) Inventors: **Arturo Echanove Hernandez**, Mexico City (MX); **Hector Eduardo Munoz Regalado**, Mexico City (MX)

(73) Assignee: **Arturo Echanove Hernandez** (MX)

(**) Term: **14 Years**

(21) Appl. No.: **29/404,357**

(22) Filed: **Oct. 19, 2011**

(30) **Foreign Application Priority Data**

Apr. 19, 2011 (MX) MX/f/2011/001214

(51) **LOC (9) Cl.** **20-01**

(52) **U.S. Cl.**
USPC **D20/2; D20/8**

(58) **Field of Classification Search**
USPC D20/1-9; 221/69-73, 79, 92, 115, 221/208, 226, 237, 247; D14/481; D16/250; D18/3.3, 4.4, 12, 14, 49, 50, 54, 56; D19/67, D19/69; 194/205; 242/335, 248, 384, 588.3; 396/514
See application file for complete search history.

(56) **References Cited**

U.S. PATENT DOCUMENTS

2,107,603 A * 2/1938 Ellenburg 242/588.3
2,731,894 A * 1/1956 Lietz et al. 396/514
3,159,357 A * 12/1964 Berlings 242/348
D206,836 S * 1/1967 Ringholz D18/14
D276,439 S * 11/1984 Raymond D14/481
D284,007 S 5/1986 Freijd

D303,986 S 10/1989 Kato et al.
D303,987 S 10/1989 Kato et al.
D342,673 S * 12/1993 Kataoka et al. D14/481
D372,492 S 8/1996 Stanton
D398,646 S 9/1998 Geiger
5,806,714 A * 9/1998 Geiger 221/73
D422,631 S * 4/2000 Toriyama et al. D18/50
D431,590 S 10/2000 Brown et al.
D519,548 S 4/2006 Bergstrom
D557,342 S * 12/2007 Ono D19/69
D567,292 S * 4/2008 Mohoney D19/69
D579,499 S * 10/2008 Rushe et al. D19/69
D610,201 S * 2/2010 Okada et al. D20/8
D657,420 S * 4/2012 Clover et al. D19/69

* cited by examiner

Primary Examiner — Mary Ann Calabrese

(74) *Attorney, Agent, or Firm* — Brooks Kushman P.C.

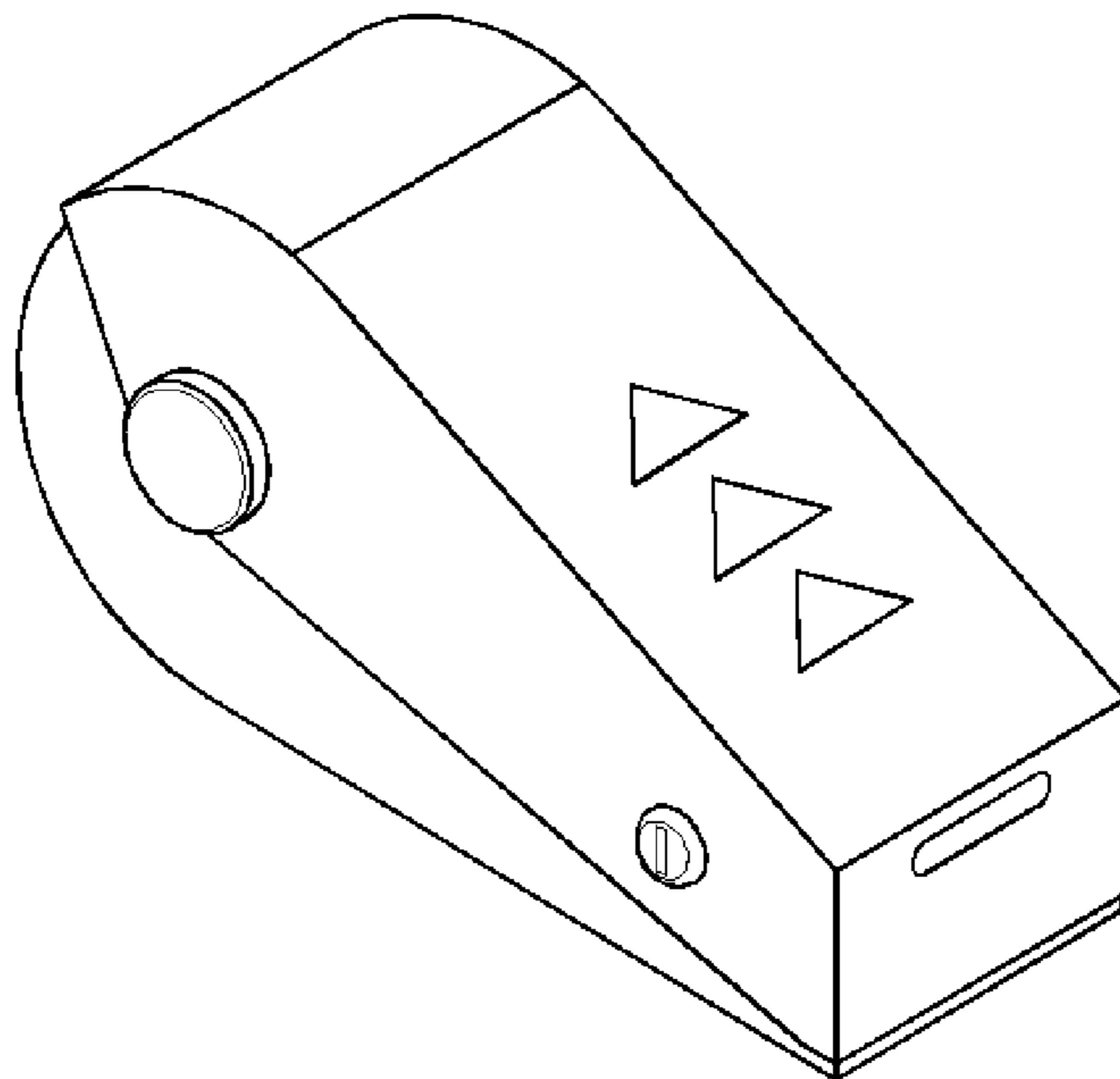
(57) **CLAIM**

The ornamental design for a ticket dispenser, as shown and described.

DESCRIPTION

FIG. 1 shows a left perspective side view of the model; FIG. 2 shows a right perspective side view of the model of FIG. 1; FIG. 3 is a lower back perspective view of the model of FIG. 1; FIG. 4 is a left side view of the model of FIG. 1; FIG. 5 is a front view of the model of FIG. 1; FIG. 6 is a right side view of the model of FIG. 1; FIG. 7 is an top plan view of the model of FIG. 1; FIG. 8 is a back view of the model of FIG. 1; and, FIG. 9 is a bottom view of the model of FIG. 1.

1 Claim, 1 Drawing Sheet



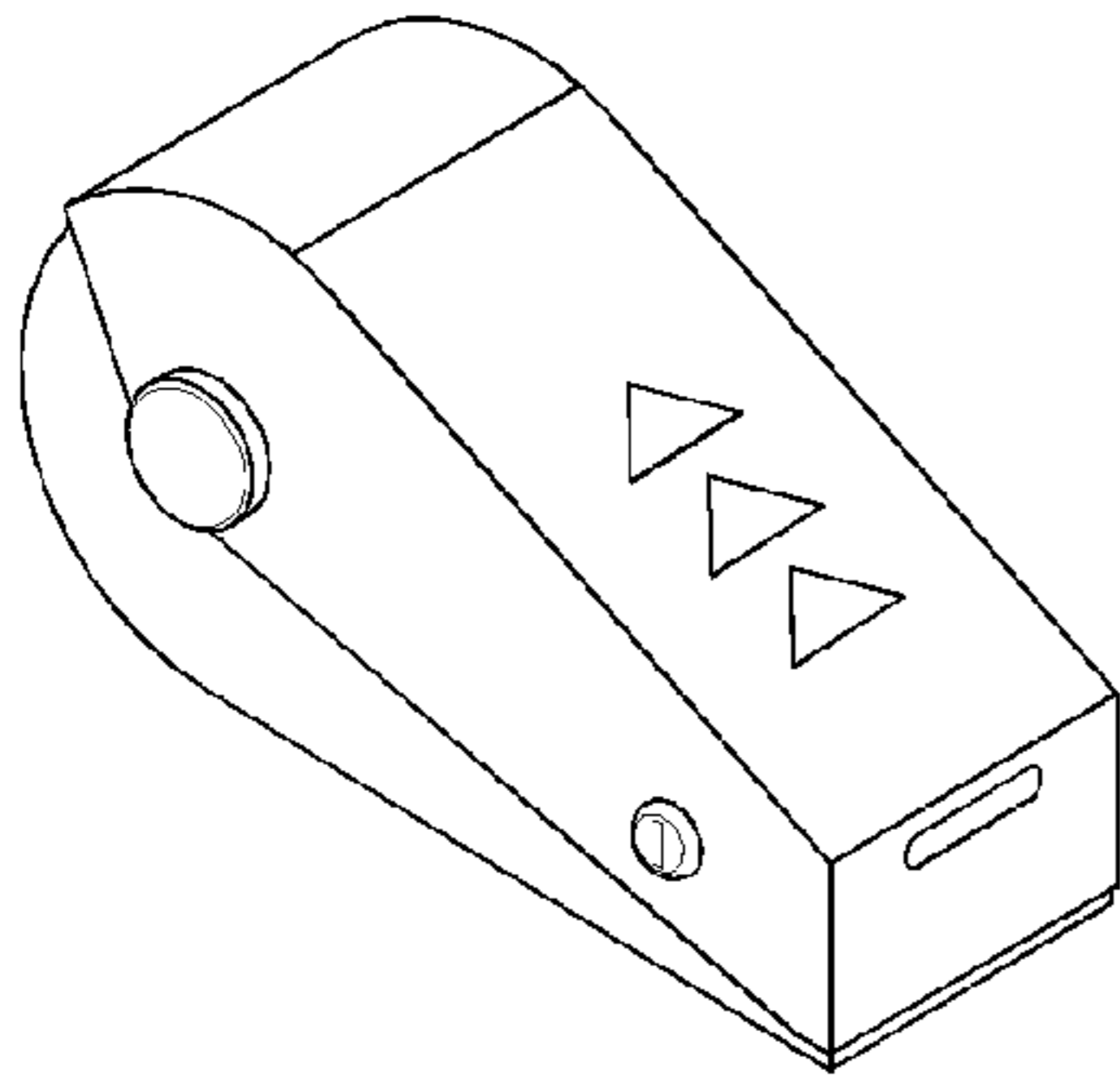


FIG. 1

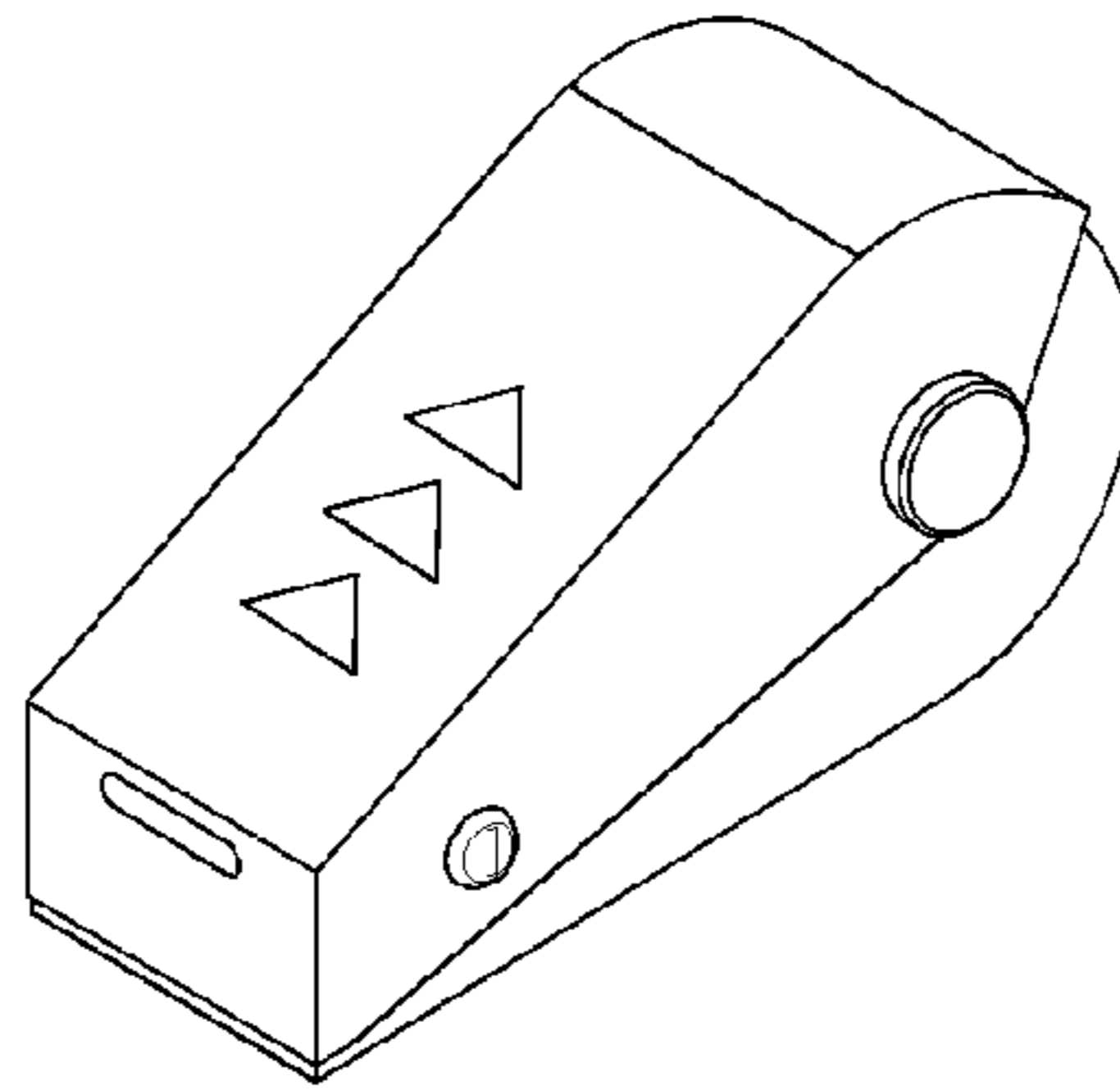


FIG. 2

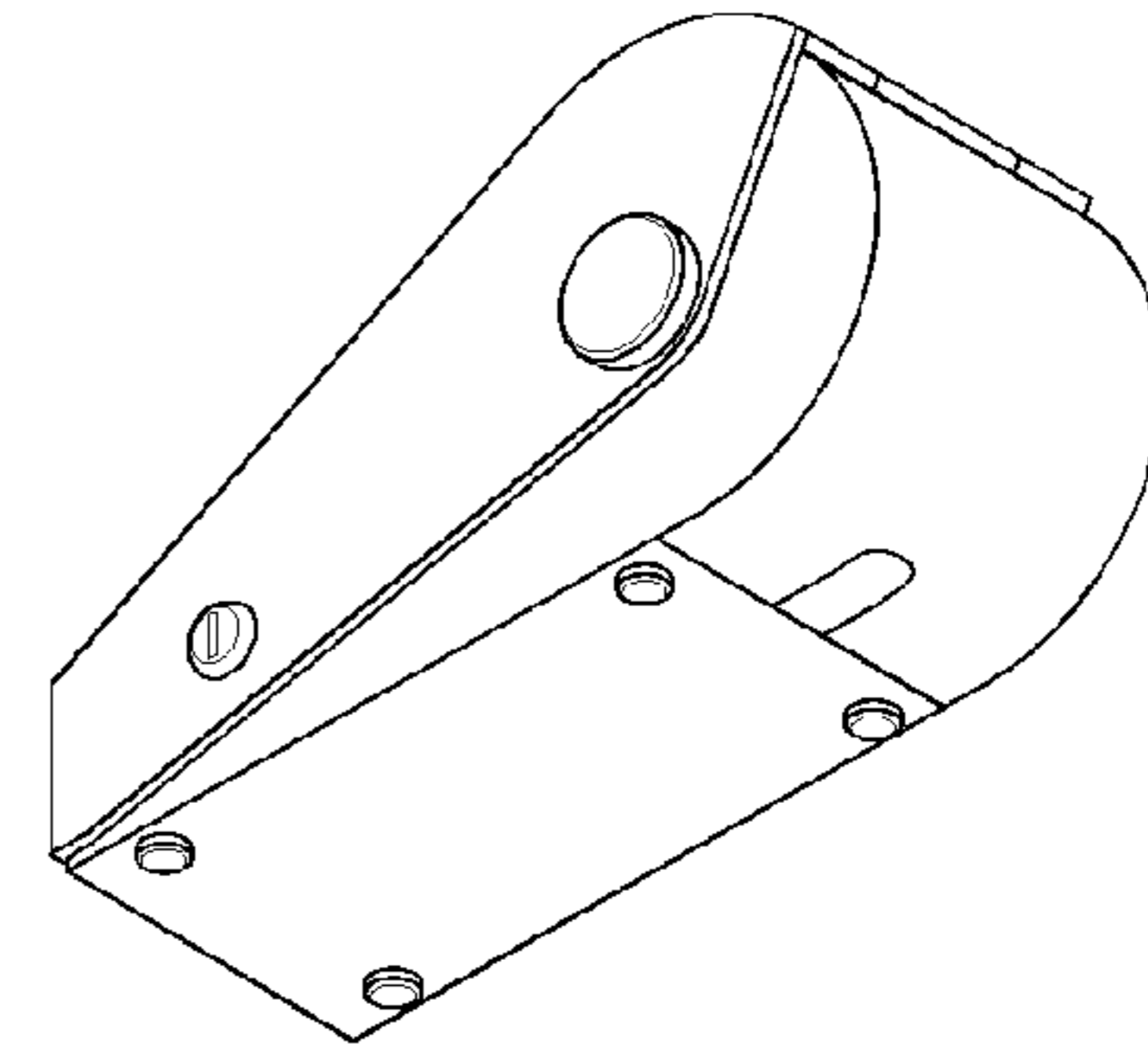


FIG. 3

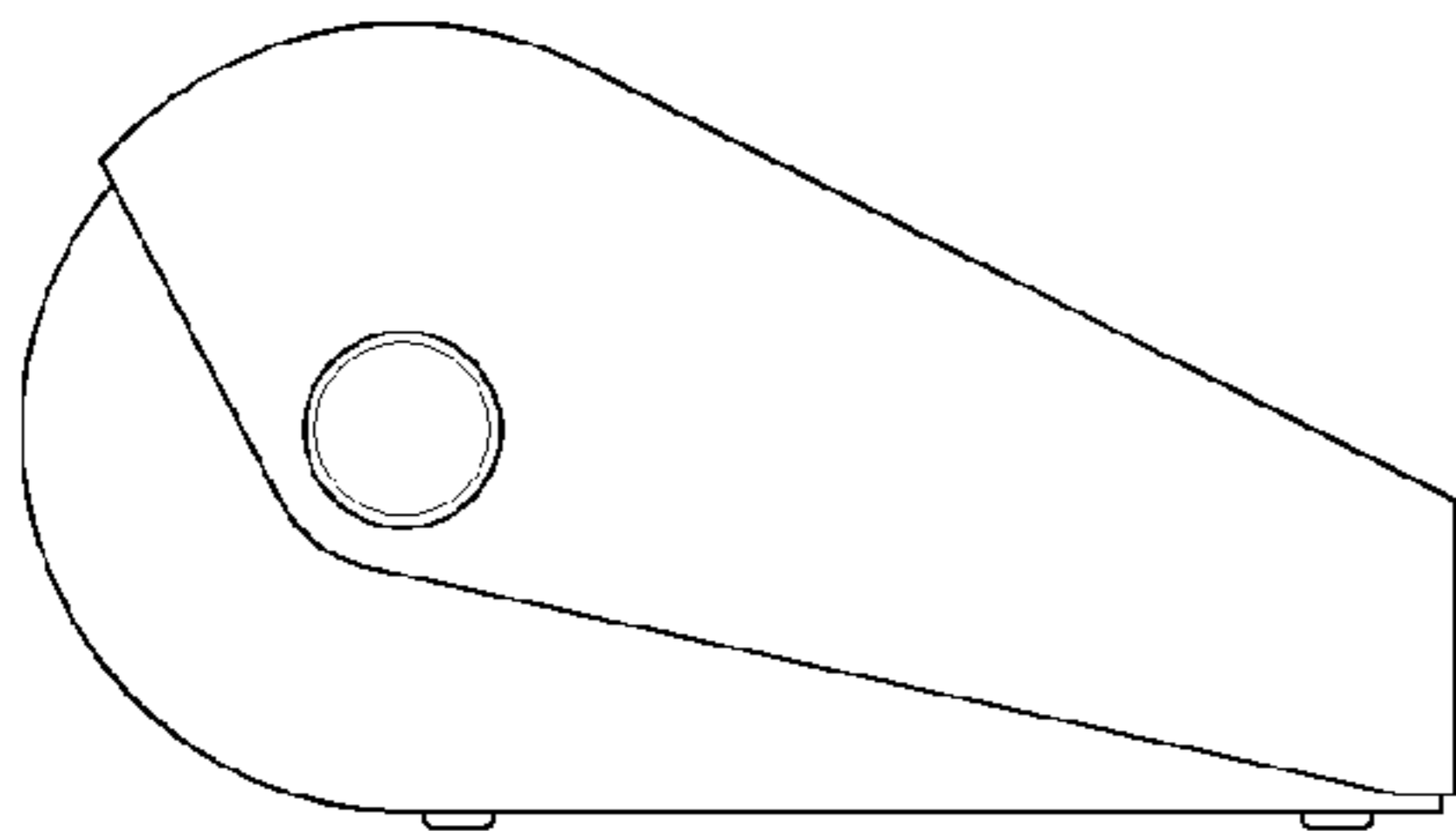


FIG. 4

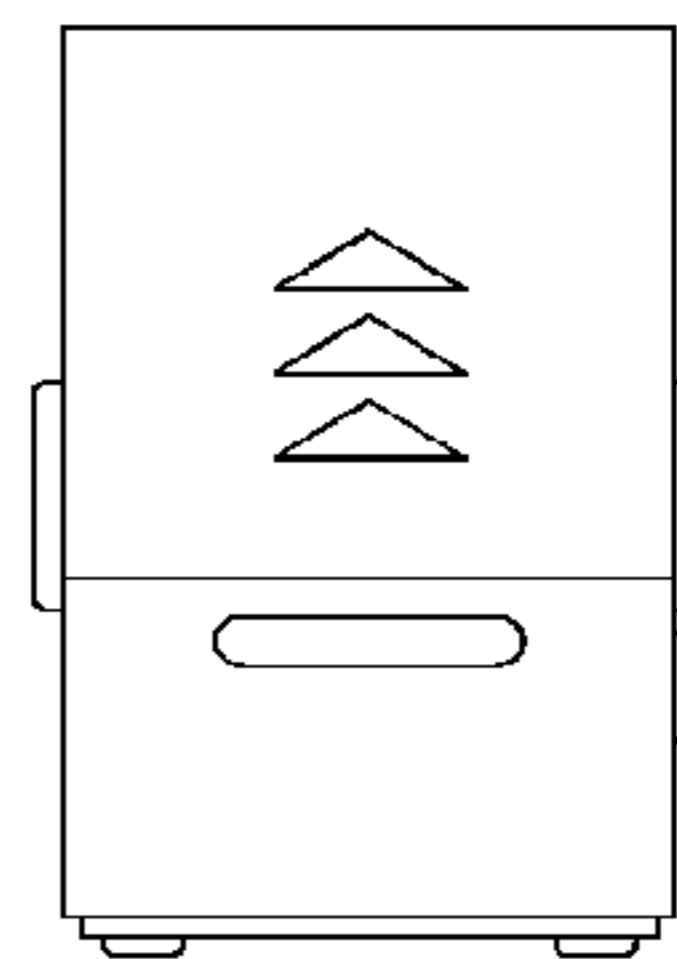


FIG. 5

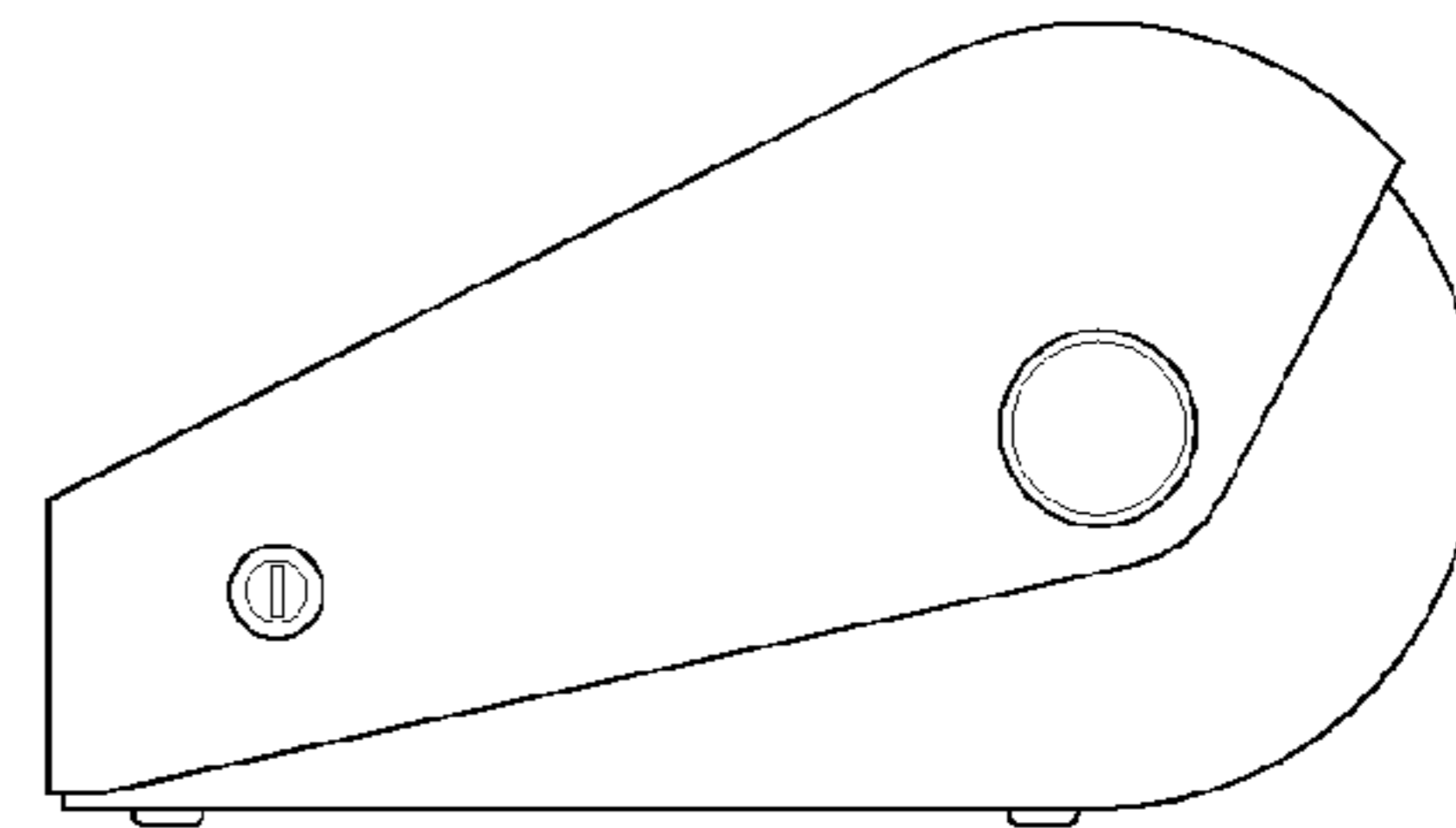


FIG. 6

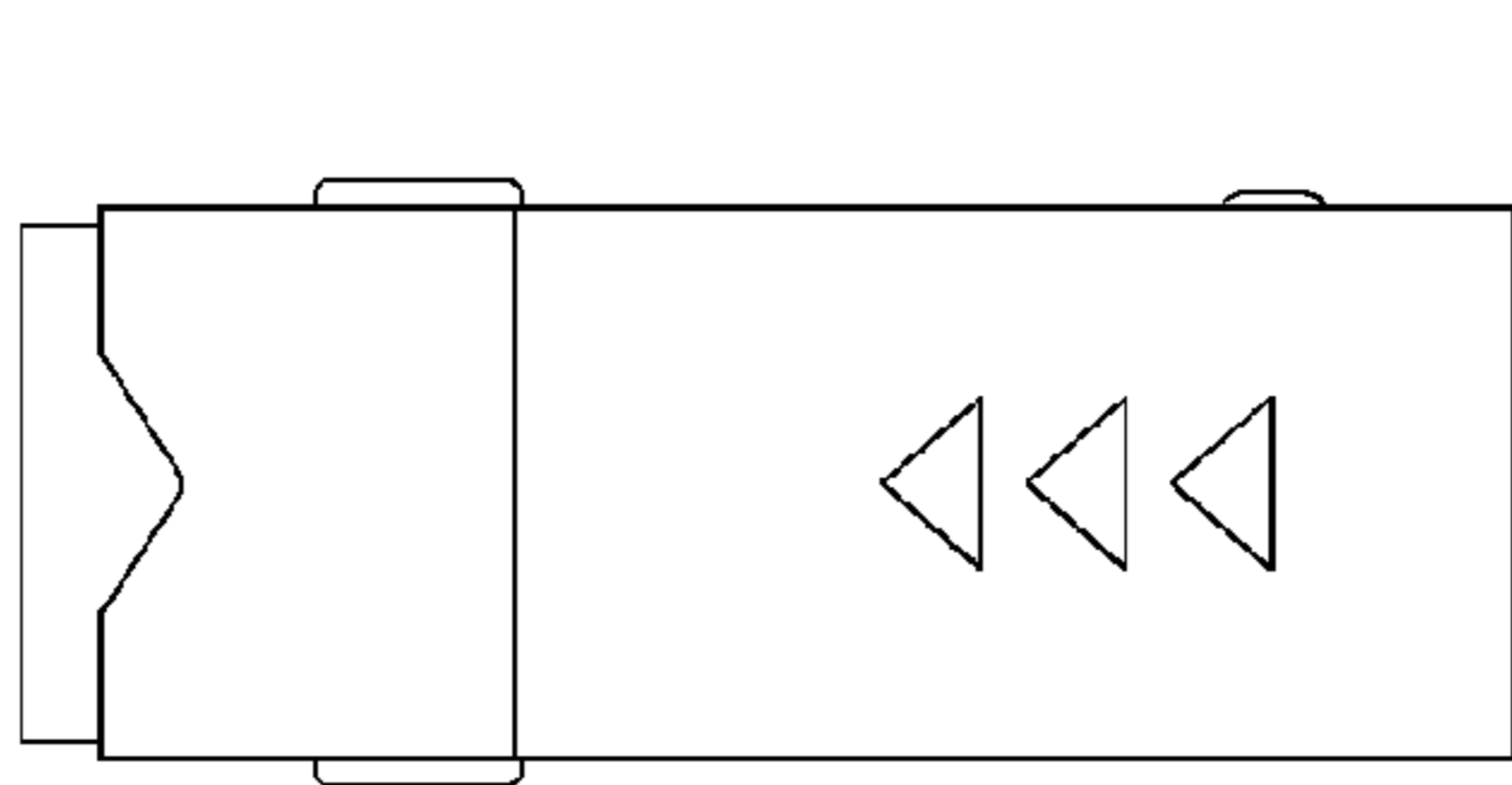


FIG. 7

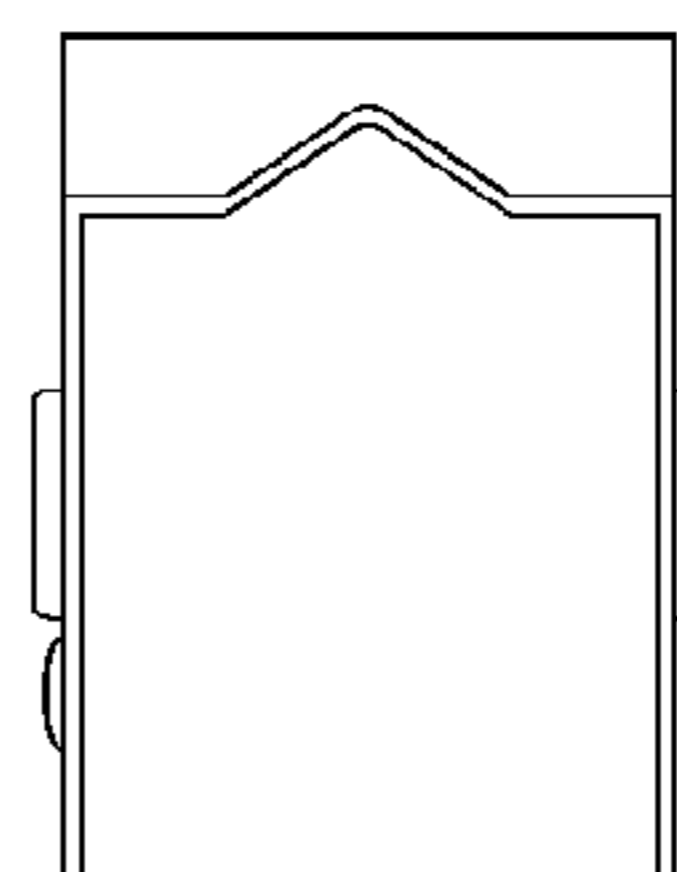


FIG. 8

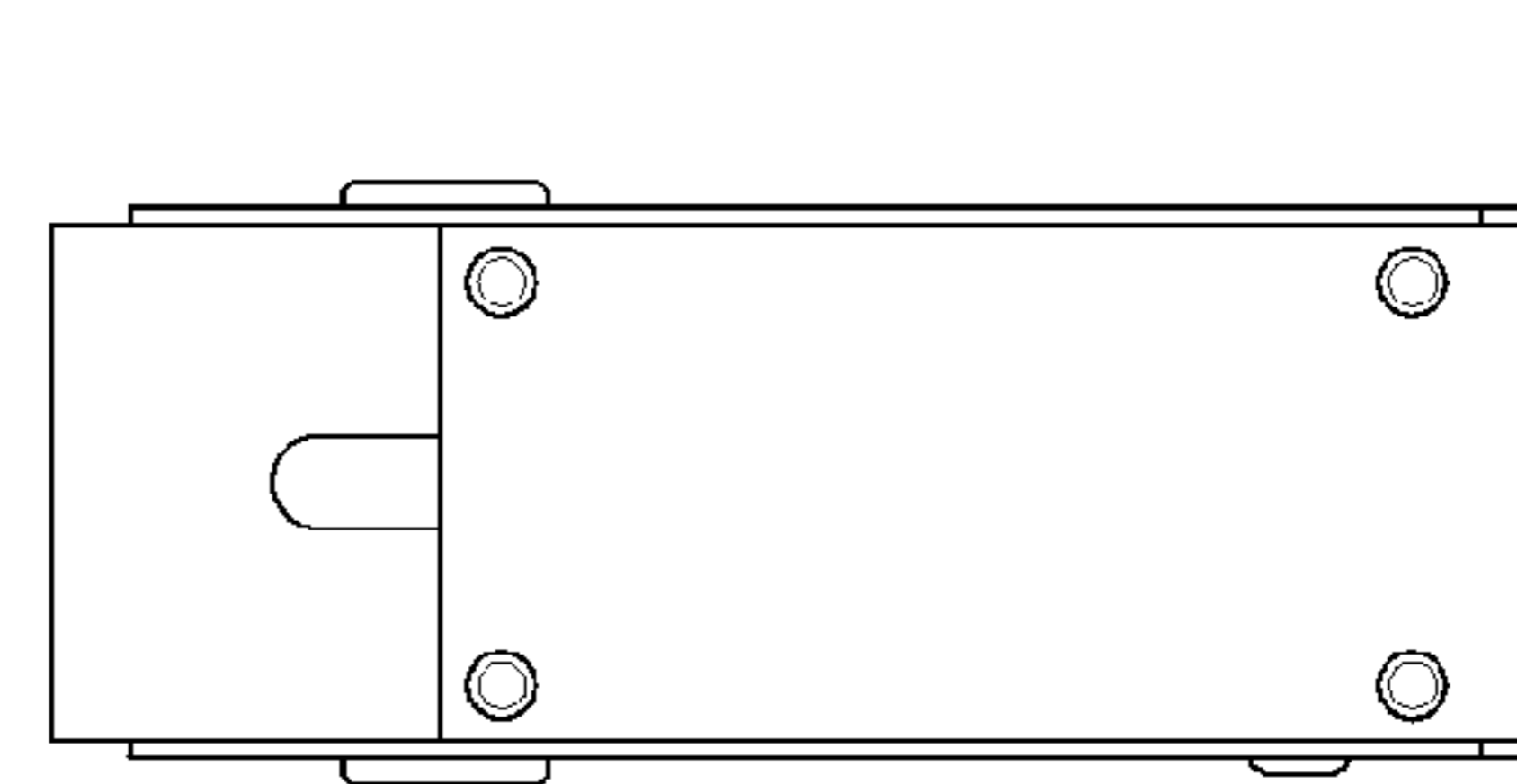


FIG. 9

UNITED STATES PATENT AND TRADEMARK OFFICE
CERTIFICATE OF CORRECTION

PATENT NO. : D689,553 S
APPLICATION NO. : 29/404357
DATED : September 10, 2013
INVENTOR(S) : Arturo Echanove Hernandez et al.

Page 1 of 2

It is certified that error appears in the above-identified patent and that said Letters Patent is hereby corrected as shown below:

On the title page:

In the DESCRIPTION:

After "Figure 1 shows a left perspective side view of the"
Delete "model" and
Insert -- ticket dispenser --.

After "Figure 2 shows a right perspective side view of the"
Delete "model" and
Insert -- ticket dispenser --.

After "Figure 3 is a lower back perspective view of the"
Delete "model" and
Insert -- ticket dispenser --.

After "Figure 4 is a left side view of the"
Delete "model" and
Insert -- ticket dispenser --.

After "Figure 5 is a front view of the"
Delete "model" and
Insert -- ticket dispenser --.

After "Figure 6 is a right side view of the"
Delete "model" and
Insert -- ticket dispenser --.

Signed and Sealed this
Twenty-seventh Day of May, 2014



Michelle K. Lee
Deputy Director of the United States Patent and Trademark Office

CERTIFICATE OF CORRECTION (continued)
U.S. Pat. No. D689,553 S

After "Figure 7 is an top plan view of the"
Delete "model" and
Insert -- ticket dispenser --.

After "Figure 8 is a back view of the"
Delete "model" and
Insert -- ticket dispenser --.

After "Figure 9 is a bottom view of the"
Delete "model" and
Insert -- ticket dispenser --.