



US00D689552S

(12) **United States Design Patent**
Brown

(10) **Patent No.:** **US D689,552 S**

(45) **Date of Patent:** **** Sep. 10, 2013**

(54) **WATER TELLER VENDING MACHINE**

(76) **Inventor:** **Donald Ray Brown, Roswell, GA (US)**

(**) **Term:** **14 Years**

(21) **Appl. No.:** **29/427,362**

(22) **Filed:** **Jul. 17, 2012**

(51) **LOC (9) Cl.** **20-01**

(52) **U.S. Cl.**
USPC **D20/1**

(58) **Field of Classification Search**
USPC D20/1-9; 221/6, 12, 123, 149, 150 R,
221/155, 156, 187, 190, 215; D7/300, 305-312;
D15/89; D99/28; 312/36

See application file for complete search history.

(56) **References Cited**

U.S. PATENT DOCUMENTS

2,466,159	A *	4/1949	Dodson	221/79
4,681,504	A *	7/1987	Welch, Sr.	414/268
D325,746	S *	4/1992	Cerf	D20/1
D331,264	S *	11/1992	Ellis	D20/1
5,373,874	A *	12/1994	Shieh	141/283
D390,272	S *	2/1998	DiSanto	D20/1
6,138,869	A *	10/2000	DiSanto	222/2

D460,489	S *	7/2002	Dickson	D20/5
D523,902	S *	6/2006	Sloss et al.	D20/1
D553,689	S *	10/2007	Lebeau	D20/2
D650,443	S *	12/2011	Hallenbeck et al.	D20/1
D663,359	S *	7/2012	Hallenbeck et al.	D20/1

* cited by examiner

Primary Examiner — Mary Ann Calabrese

(74) *Attorney, Agent, or Firm* — Thomas I Horstemeyer, LLP

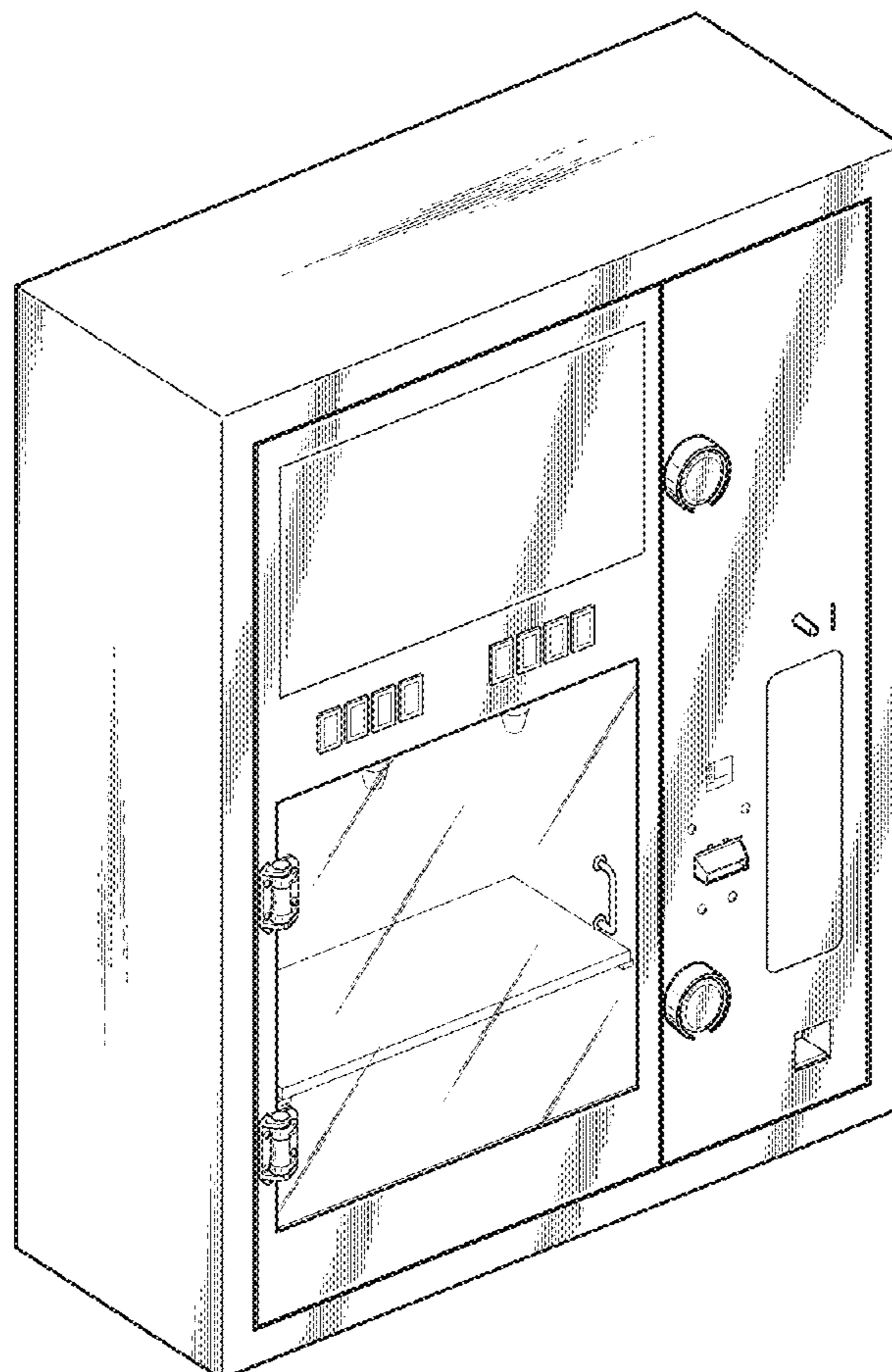
(57) **CLAIM**

The ornamental design for a water teller vending machine, as shown and described.

DESCRIPTION

FIG. 1 is a perspective view showing my new water teller vending machine;
FIG. 2 is a left side view thereof;
FIG. 3 is a right view thereof;
FIG. 4 is a front view thereof;
FIG. 5 is a top view thereof; and,
FIG. 6 is a bottom side view thereof.
In the drawings, the broken lines illustrate environment and form no part of the claimed design.

1 Claim, 4 Drawing Sheets



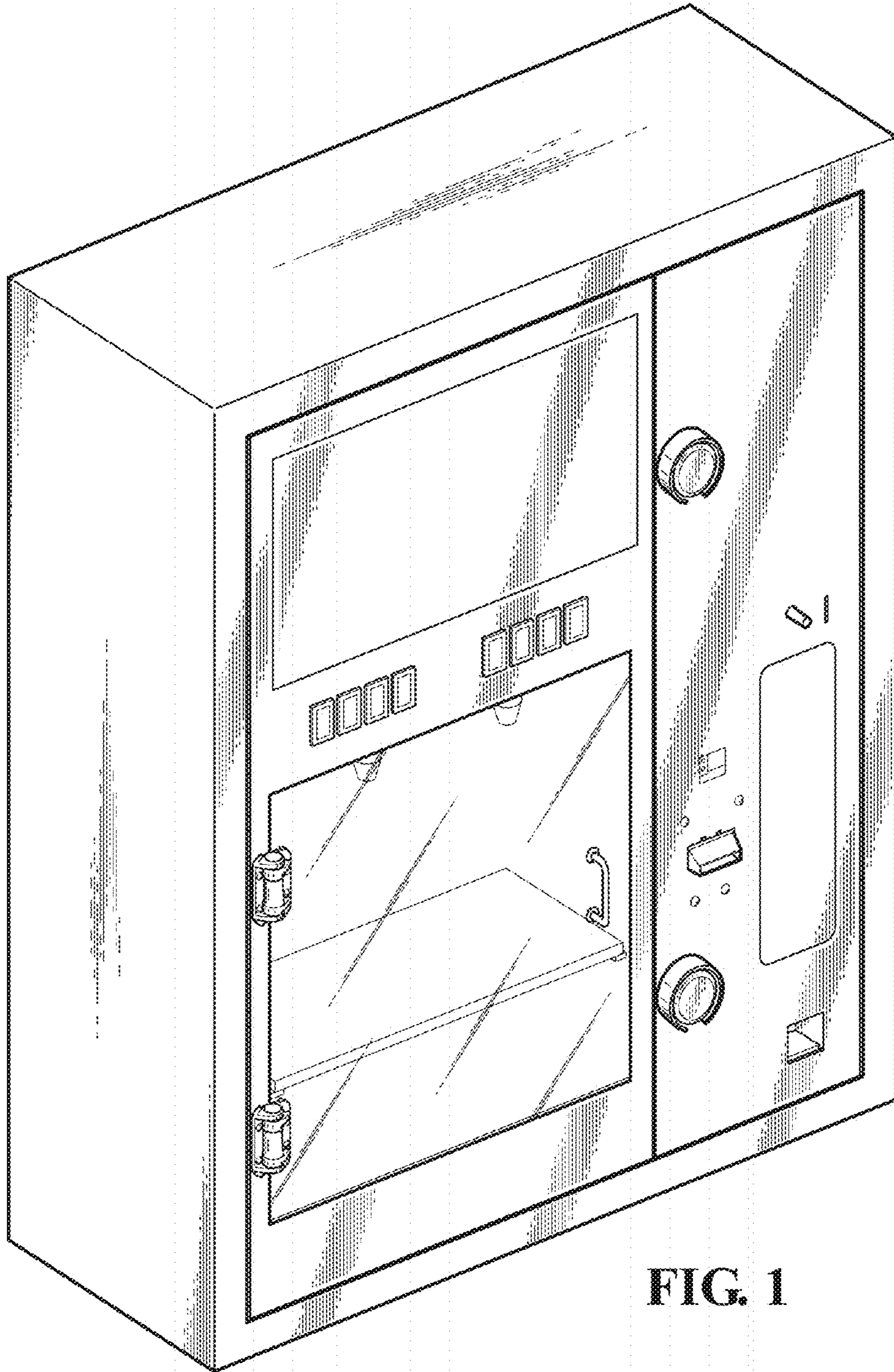


FIG. 1

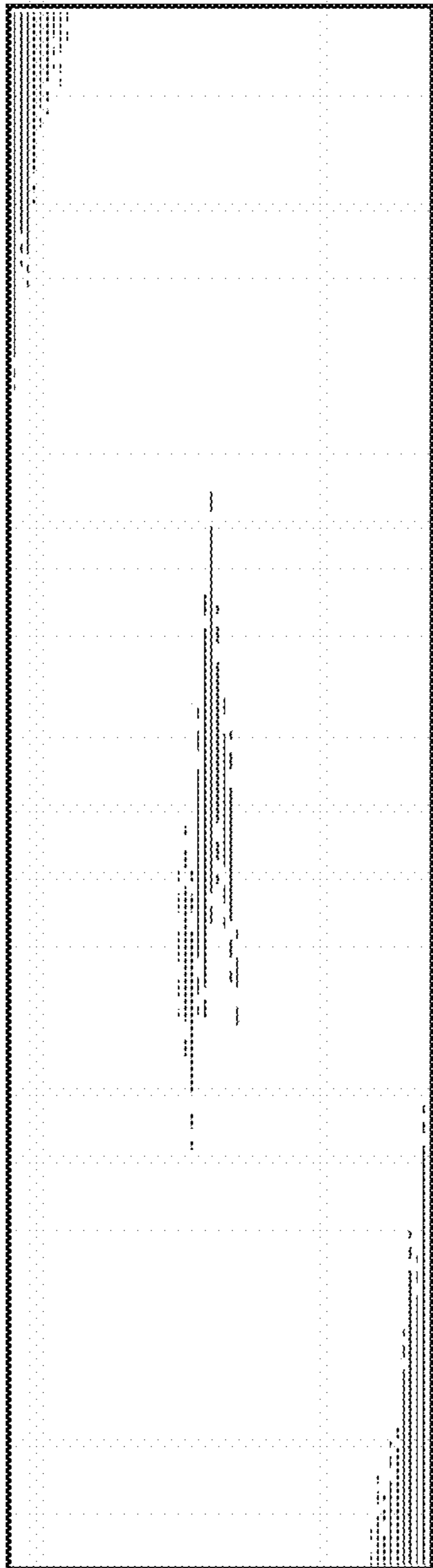


FIG. 2

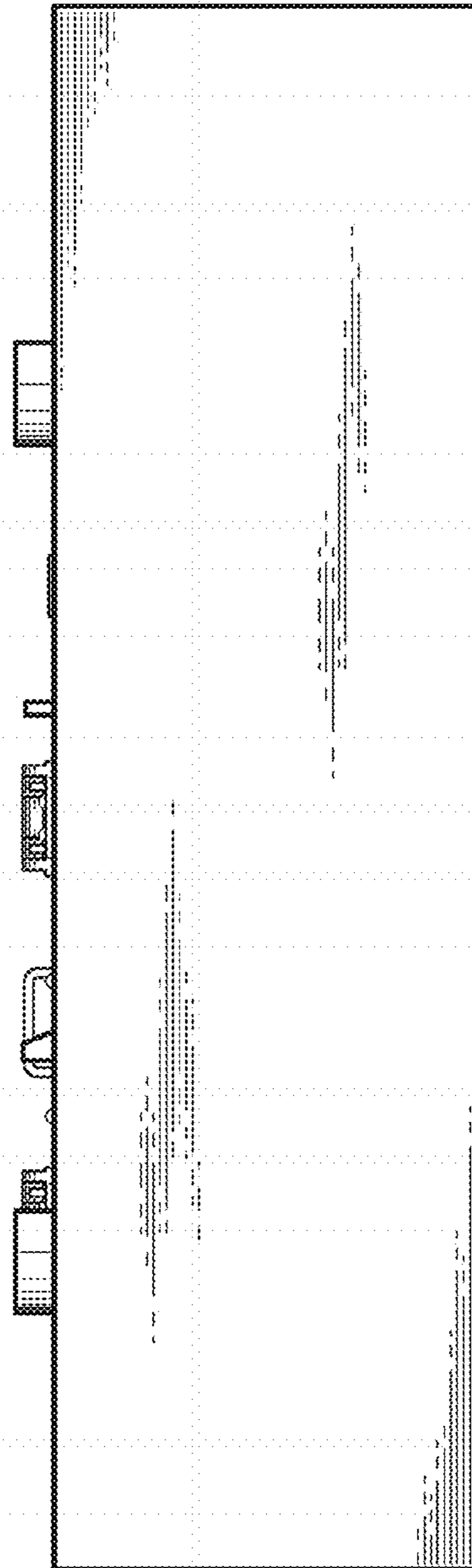


FIG. 3

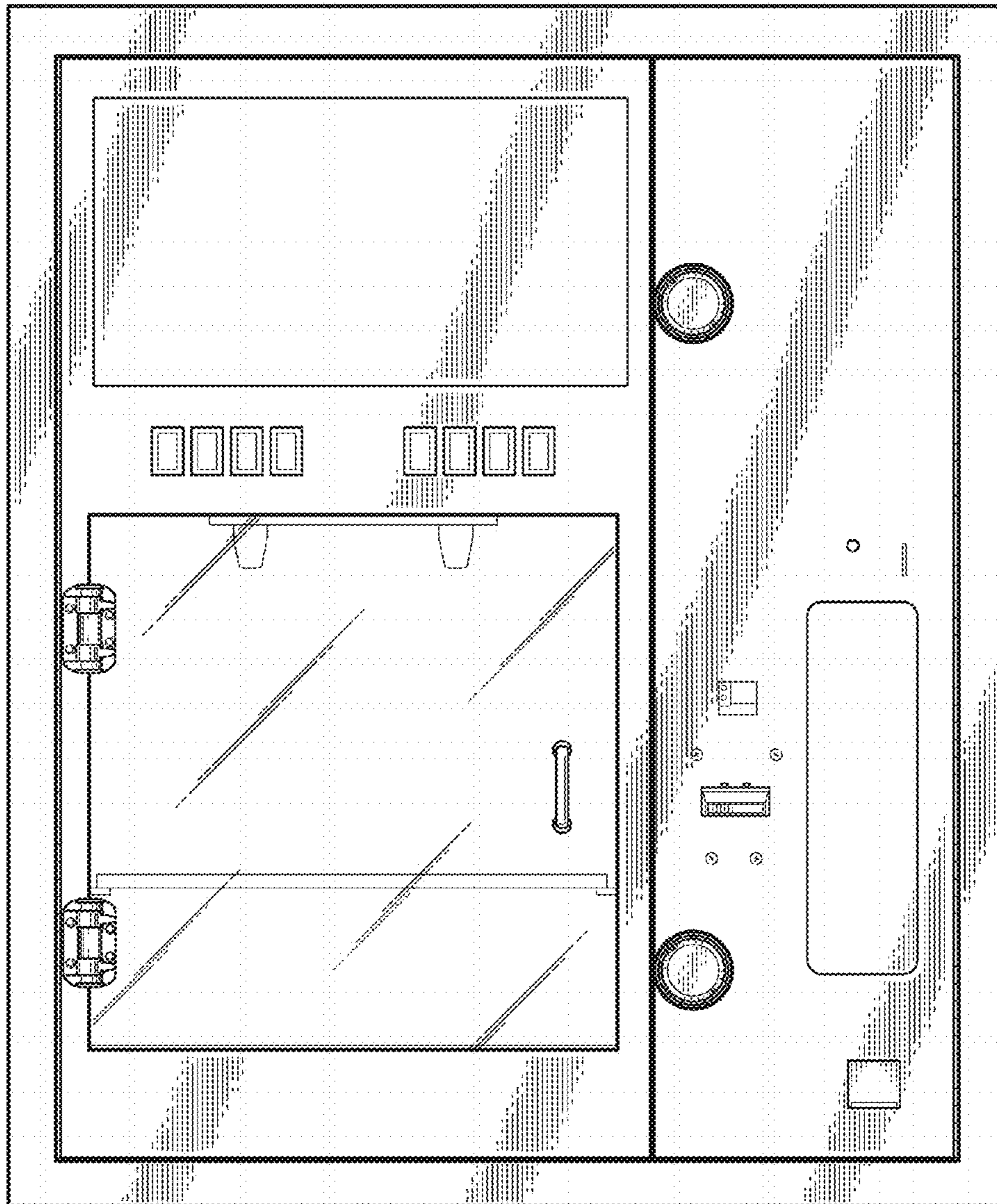


FIG. 4

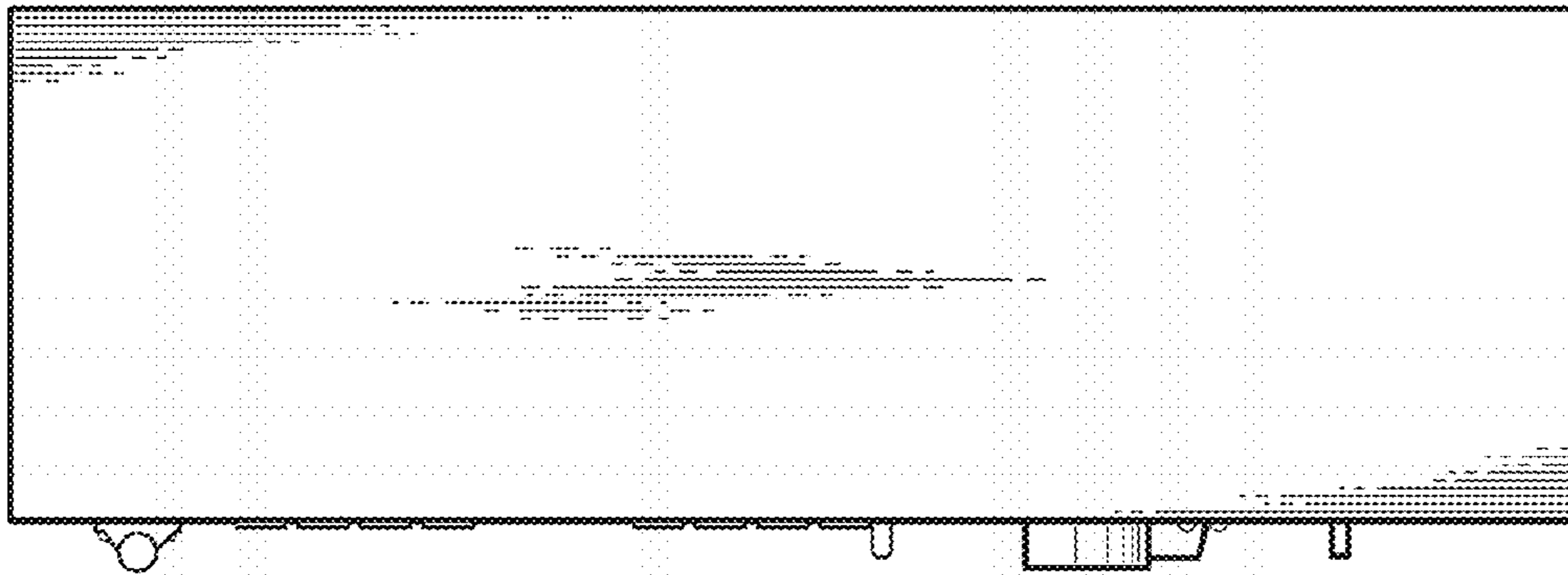


FIG. 5

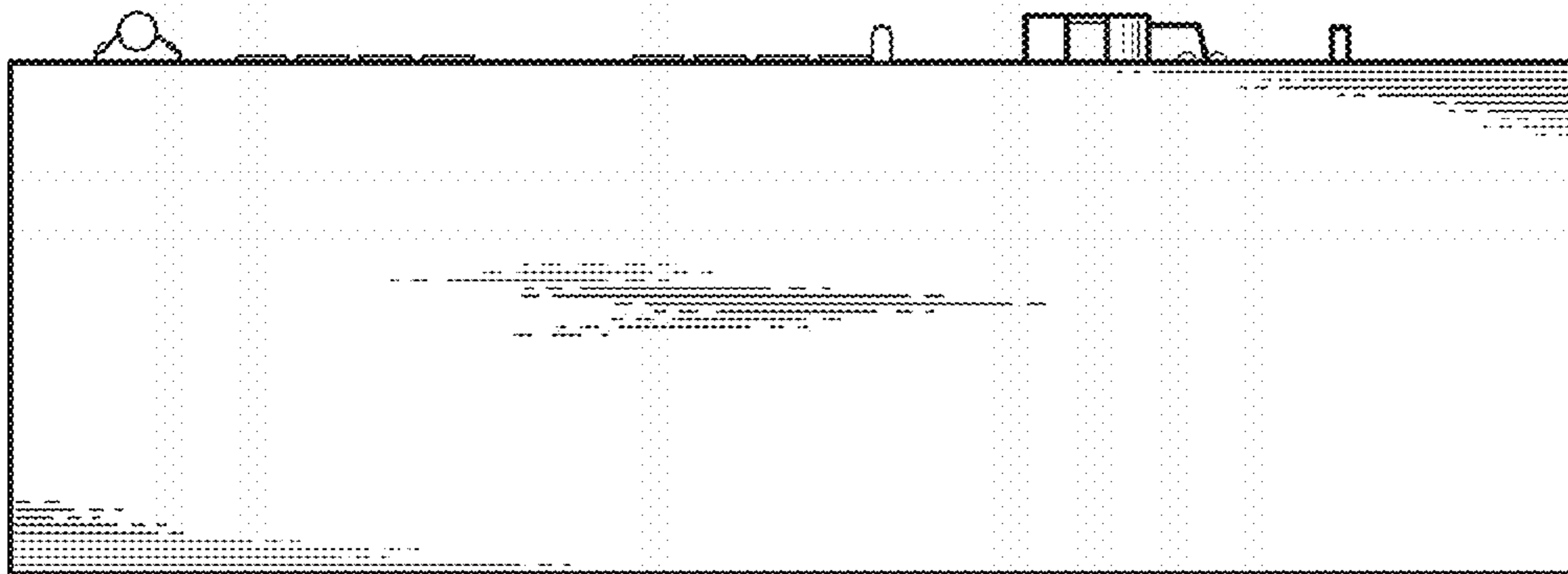


FIG. 6