



US00D689546S

(12) **United States Design Patent**
Polster

(10) **Patent No.:** **US D689,546 S**

(45) **Date of Patent:** **** Sep. 10, 2013**

(54) **IMPLEMENT HOLDER**

(76) Inventor: **Eric Polster**, Burbank, CA (US)

(**) Term: **14 Years**

(21) Appl. No.: **29/417,571**

(22) Filed: **Apr. 5, 2012**

(51) **LOC (9) Cl.** **19-02**

(52) **U.S. Cl.**
USPC **D19/77**

(58) **Field of Classification Search**
USPC D6/406.1, 406.2, 707.17, 707.24;
D8/363, 373; D12/425, 426.1; D14/452;
D19/75-86; D24/177, 227; 206/371;
211/126.5, 133.3, 193
See application file for complete search history.

(56) **References Cited**

U.S. PATENT DOCUMENTS

D162,797 S *	4/1951	Dubinetz et al.	D19/78
3,197,254 A *	7/1965	Hendrickson	297/162
D205,848 S *	9/1966	Poole	D6/512
D254,707 S *	4/1980	Einhorn	D8/367
D266,719 S *	11/1982	Hopkins	D6/511
D301,489 S *	6/1989	Aquila et al.	D19/88
D306,383 S *	3/1990	Strater	D6/511
D338,574 S *	8/1993	Schroeder et al.	D6/429
D342,173 S *	12/1993	Kirchner et al.	D6/511
D351,860 S *	10/1994	Kirchner et al.	D19/92

D353,159 S *	12/1994	Kirchner et al.	D19/92
D378,416 S *	3/1997	LaPlante et al.	D24/177
D417,137 S *	11/1999	Vogels	D8/363
D576,475 S *	9/2008	Didehvar	D8/373
D620,981 S *	8/2010	Sturken	D19/81
8,157,111 B2 *	4/2012	Didehvar	211/113

* cited by examiner

Primary Examiner — Elizabeth Albert

(74) *Attorney, Agent, or Firm* — Richard S Erbe

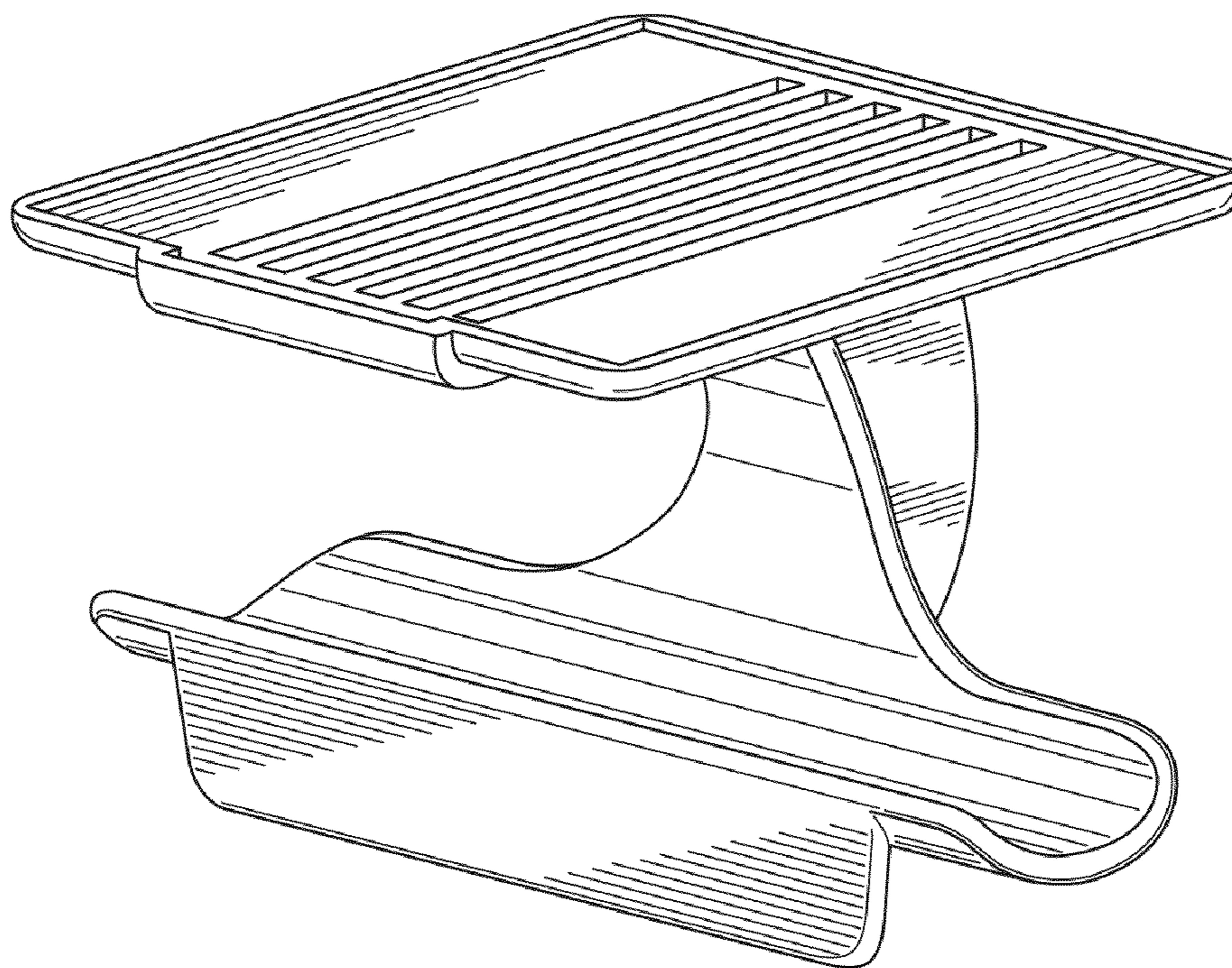
(57) **CLAIM**

The ornamental design for an implement holder, as shown and described.

DESCRIPTION

FIG. 1 is a perspective view of my implement holder; FIG. 2 is a front elevational view of the implement holder of FIG. 1; FIG. 3 is a rear elevational view of the implement holder of FIG. 1; FIG. 4 is a left side elevational view of the implement holder of FIG. 1; FIG. 5 is a right side elevational view of the implement holder of FIG. 1; FIG. 6 is a bottom view of the implement holder of FIG. 1; and, FIG. 7 is a top view of the implement holder of FIG. 1.

1 Claim, 2 Drawing Sheets



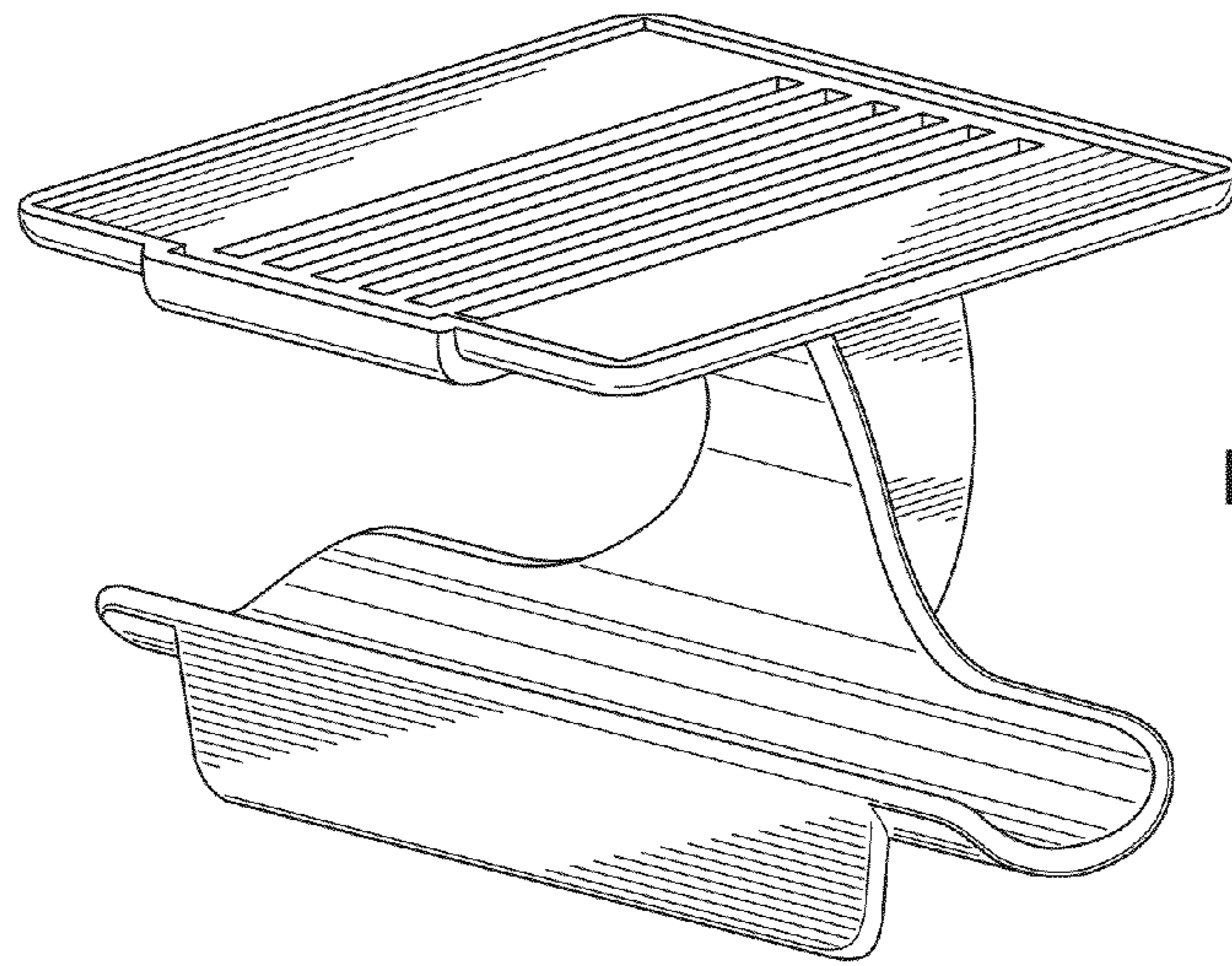


FIG. 1

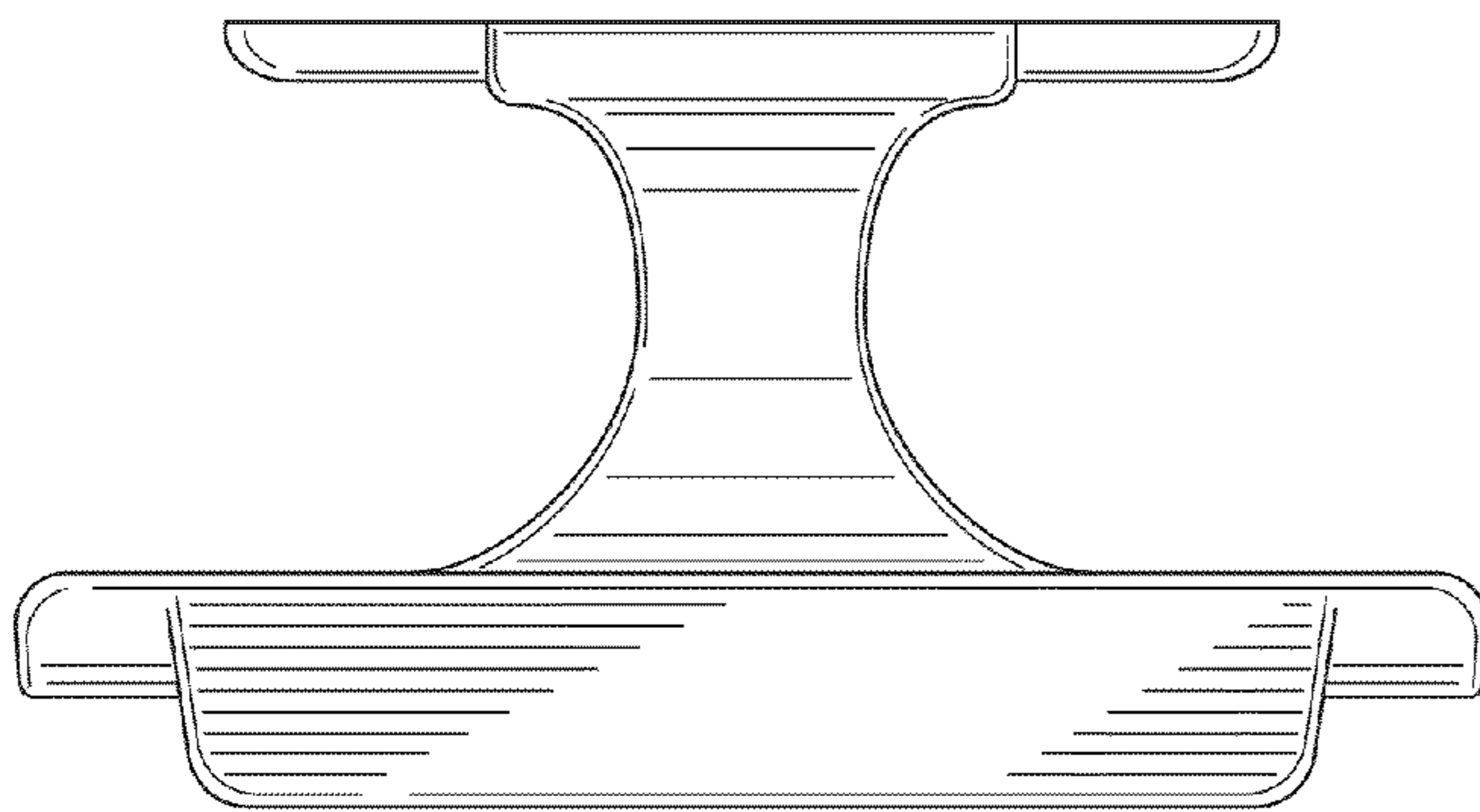


FIG. 2

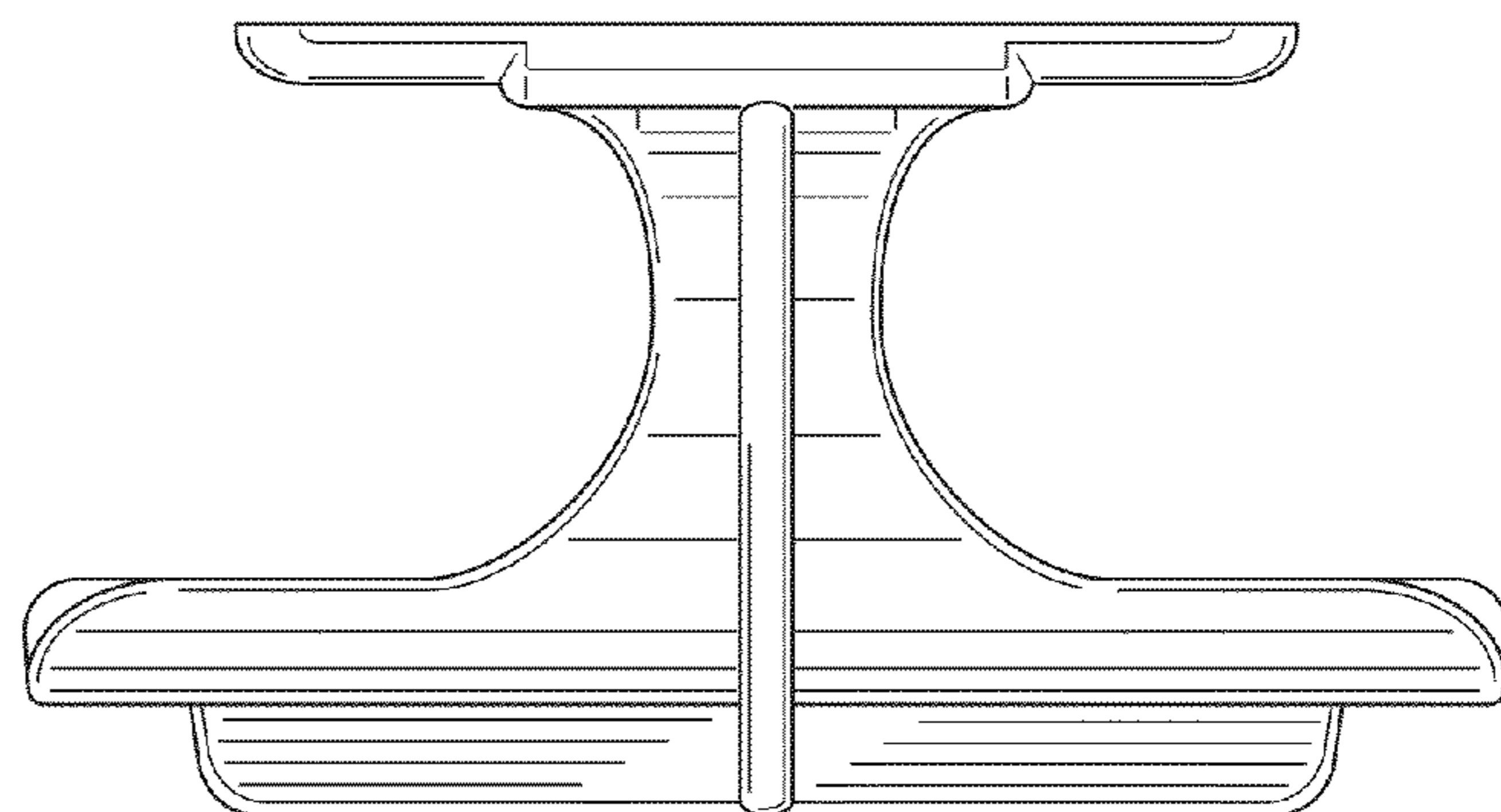


FIG. 3

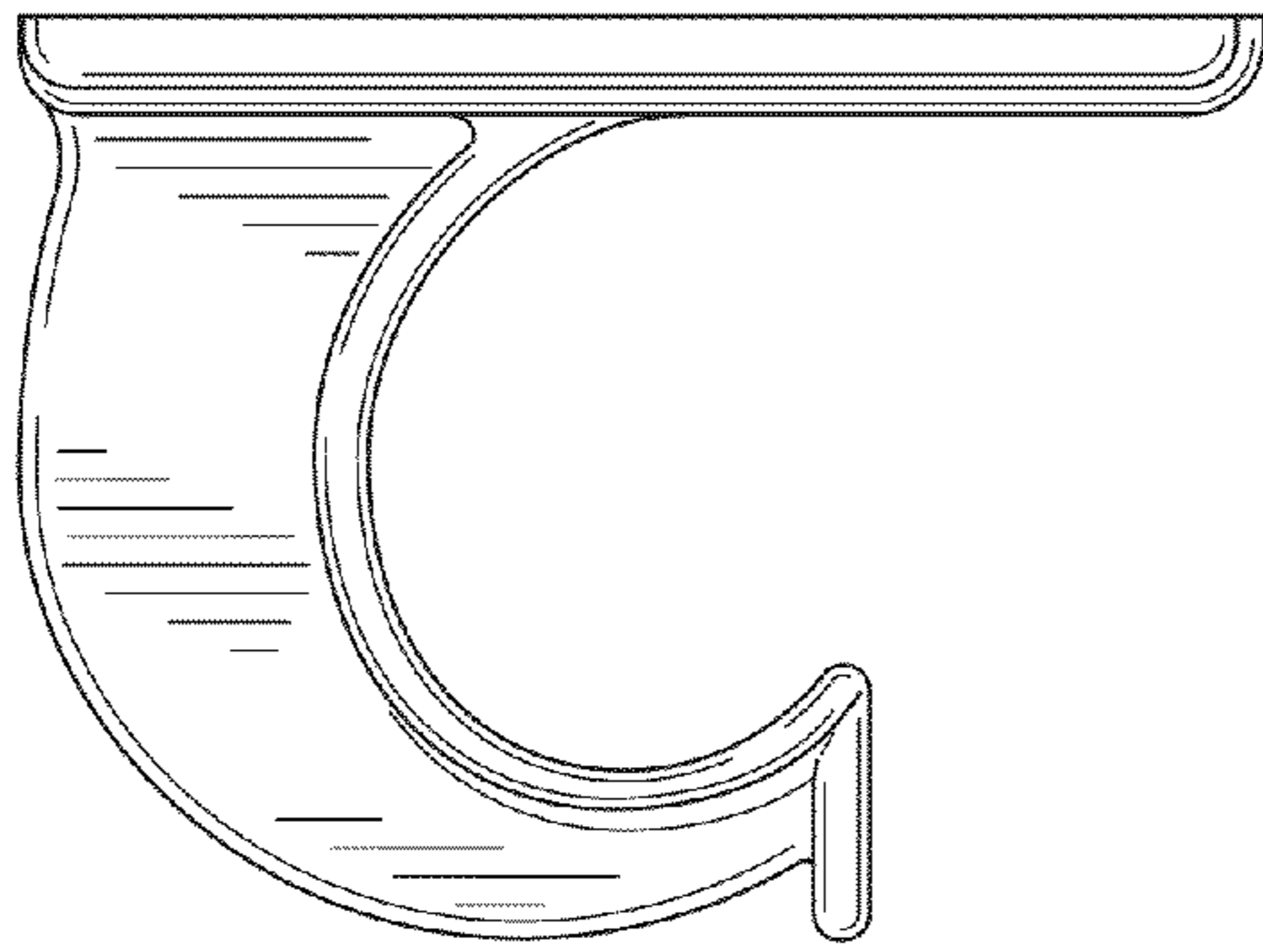


FIG. 4

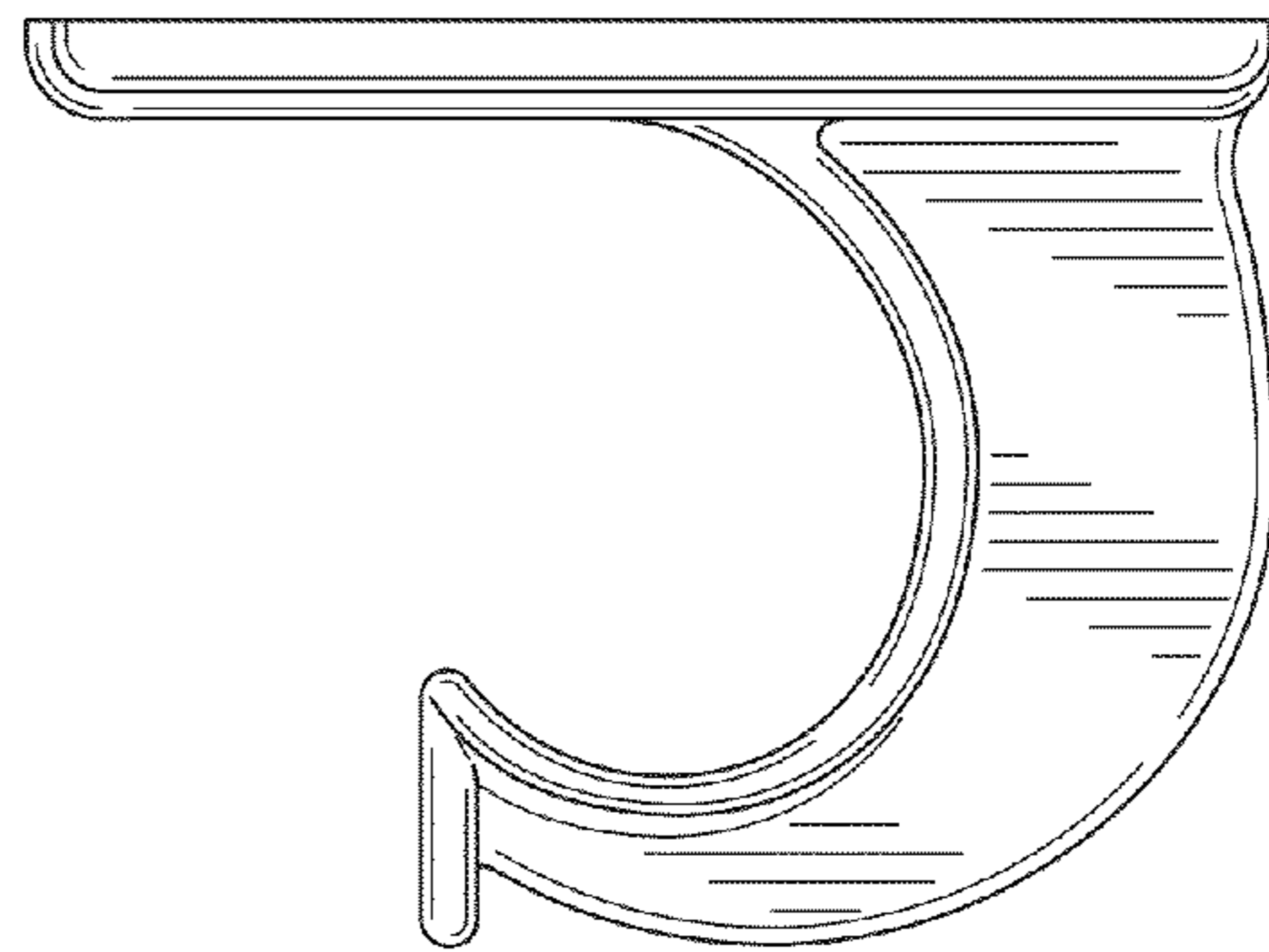


FIG. 5

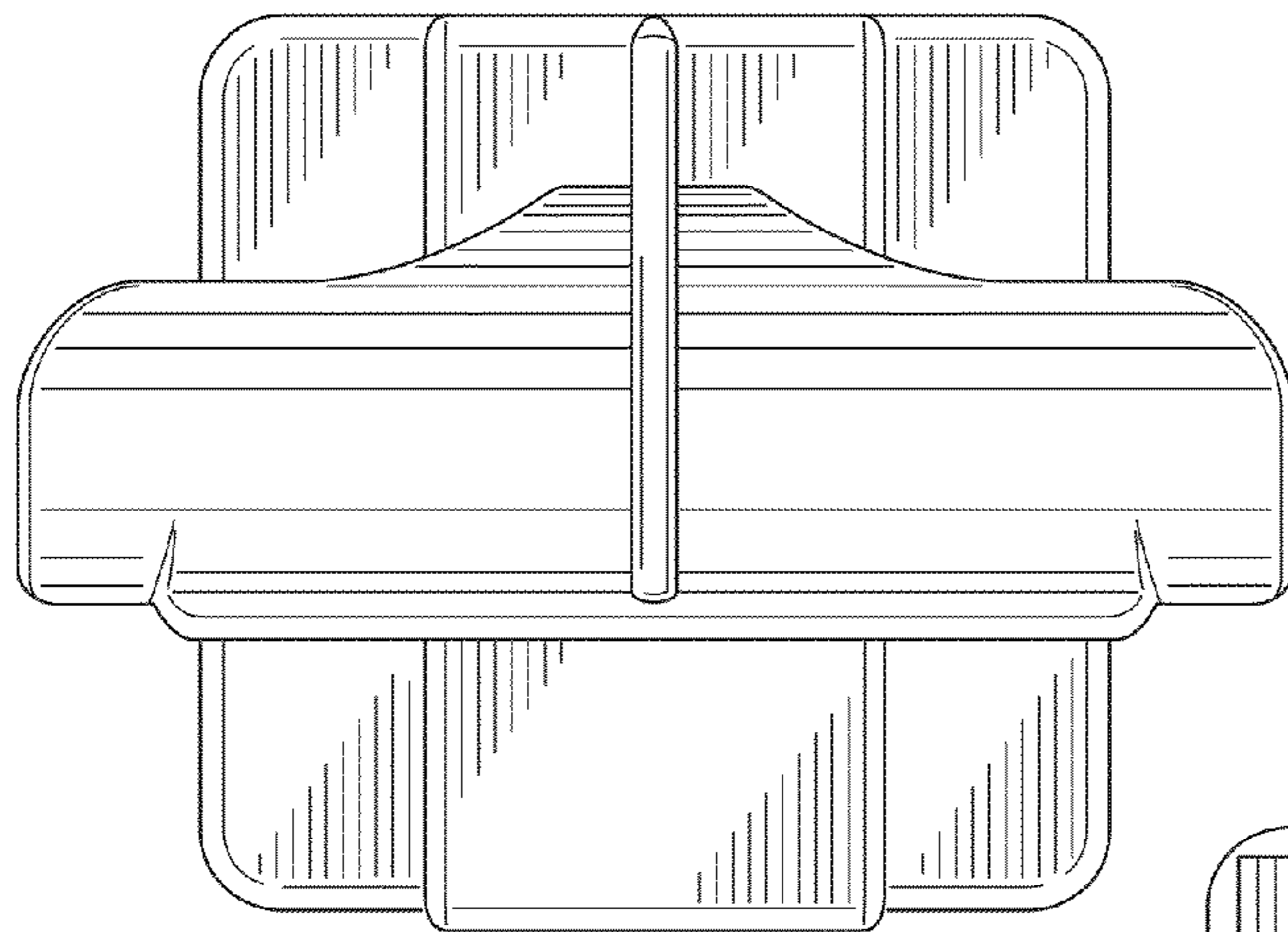


FIG. 6

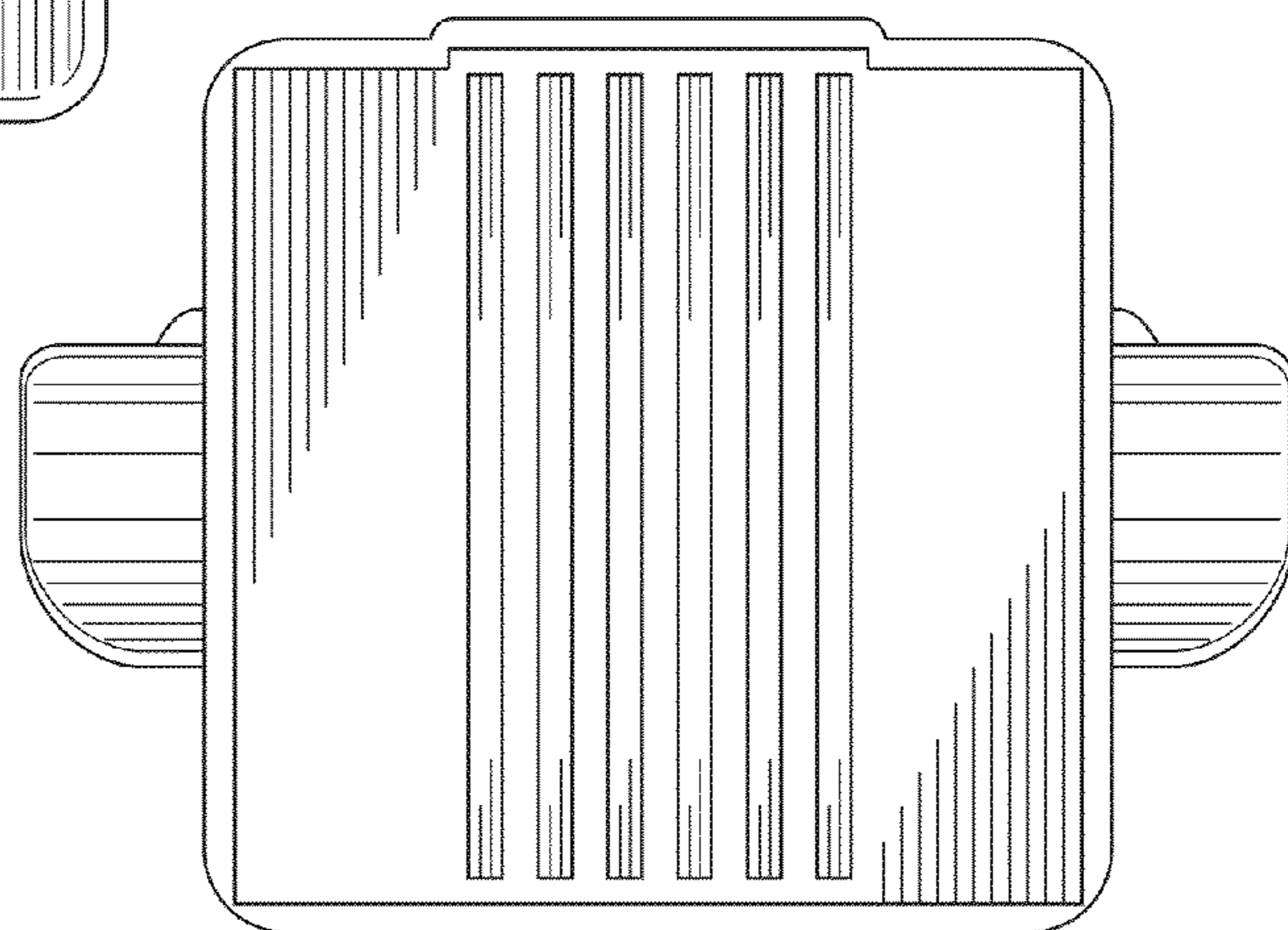


FIG. 7