



(12) **United States Design Patent**
Present

(10) **Patent No.:** **US D689,545 S**
(45) **Date of Patent:** **** Sep. 10, 2013**

- (54) **PALETTE KNIFE**
- (76) Inventor: **Scott D Present**, Piscataway, NJ (US)
- (**) Term: **14 Years**
- (21) Appl. No.: **29/431,173**
- (22) Filed: **Sep. 4, 2012**

D331,686	S	*	12/1992	Persson	D7/649
D332,383	S	*	1/1993	Hagler et al.	D8/98
D345,087	S	*	3/1994	Adams	D7/693
5,437,074	A	*	8/1995	White et al.	15/105
D362,604	S	*	9/1995	White et al.	D8/45
D392,841	S	*	3/1998	Chastaine	D7/412
D435,408	S	*	12/2000	Panfli et al.	D8/16
D457,793	S	*	5/2002	D'Astous	D8/19
D468,977	S	*	1/2003	Graff et al.	D8/19
6,553,885	B2	*	4/2003	Cole et al.	83/856
D507,728	S	*	7/2005	Graff et al.	D8/18
D562,517	S	*	2/2008	Henke et al.	D32/46
D573,855	S	*	7/2008	Khechoyan	D8/19

Related U.S. Application Data

- (60) Division of application No. 29/396,103, filed on Jun. 24, 2011, now Pat. No. Des. 666,669, which is a continuation of application No. 12/033,880, filed on Feb. 19, 2008, now Pat. No. 8,119,202.
- (51) **LOC (9) Cl.** **19-06**
- (52) **U.S. Cl.**
USPC **D19/35**
- (58) **Field of Classification Search**
USPC D7/649, 652; D8/16, 19, 20, 98;
D19/35; D32/46; 30/147, 148, 149, 150,
30/169; 15/245.1
See application file for complete search history.

* cited by examiner

Primary Examiner — Elizabeth Albert
(74) *Attorney, Agent, or Firm* — McNealy, Hare & War LLP;
Simana Rao, Esq.; William Hare, Esq.

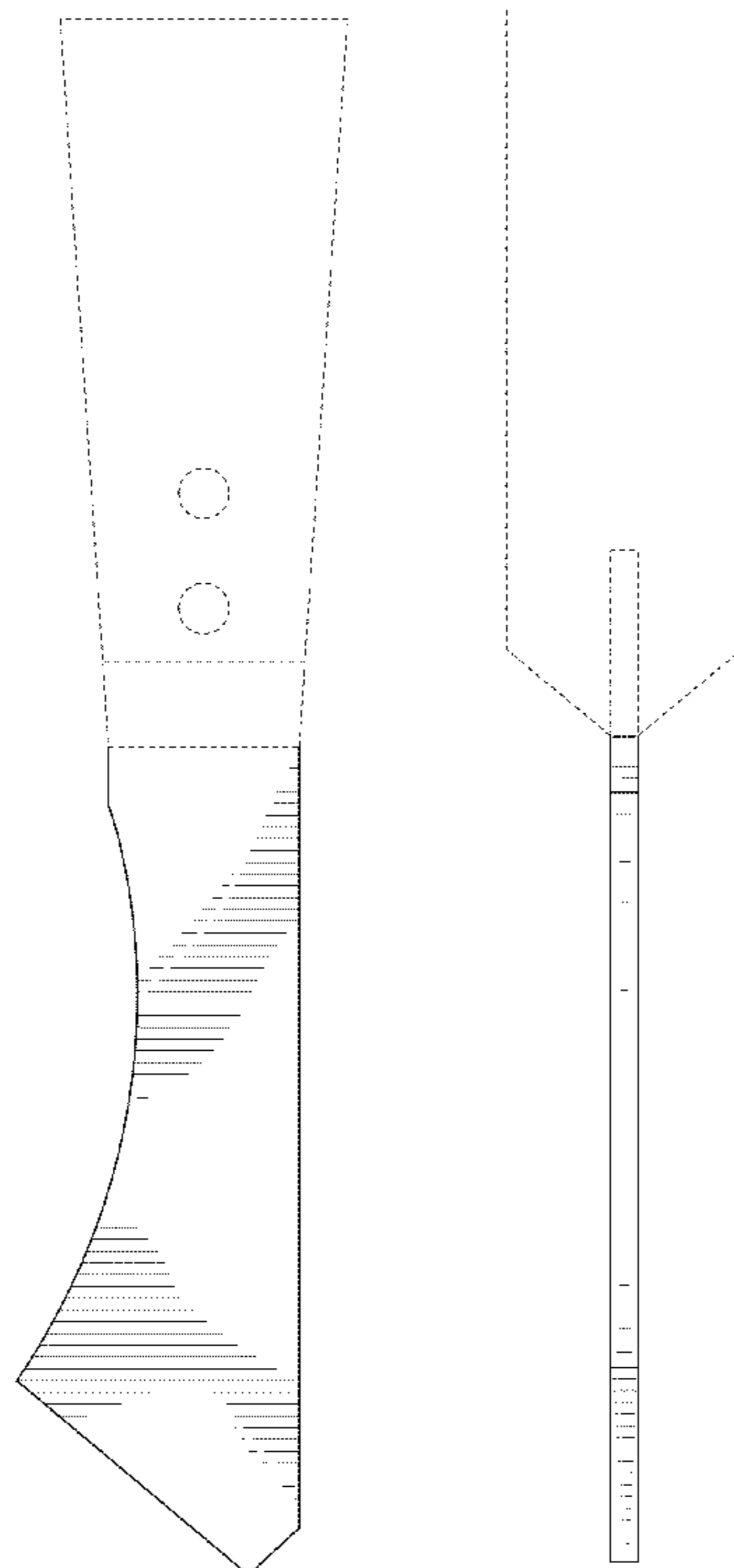
(57) **CLAIM**
The ornamental design for a palette knife, as shown and described.

DESCRIPTION

FIG. 1 is a top view of the instant invention with the bottom view being a mirror image thereof. The broken lines are included for the purpose of illustrating a portion of the knife that forms no part of the claimed design;
FIG. 2 is a left side view of the instant invention. The broken lines are included for the purpose of illustrating a portion of the knife that forms no part of the claimed design; and,
FIG. 3 is a right side view of the instant invention. The broken lines are included for the purpose of illustrating a portion of the knife that forms no part of the claimed design.

1 Claim, 2 Drawing Sheets

- (56) **References Cited**
U.S. PATENT DOCUMENTS
D163,562 S * 6/1951 Bjork D8/20
D207,184 S * 3/1967 Williams D8/19
3,353,207 A * 11/1967 Weinberger 452/3
D240,035 S * 5/1976 Ruth D22/149
D246,281 S * 11/1977 Ferrara, Jr. D7/649
D296,980 S * 8/1988 Chaconas D8/70
D304,420 S * 11/1989 Alexander D8/98



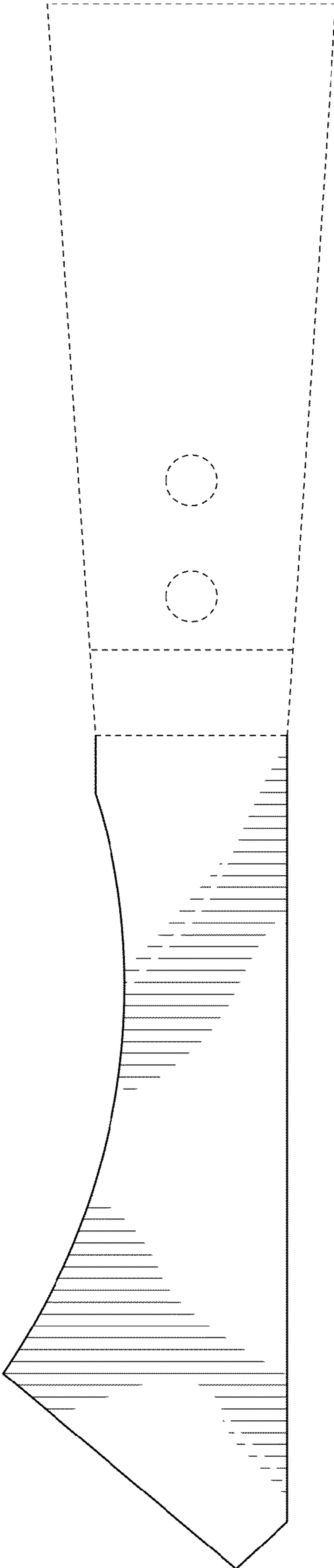


FIG. 1

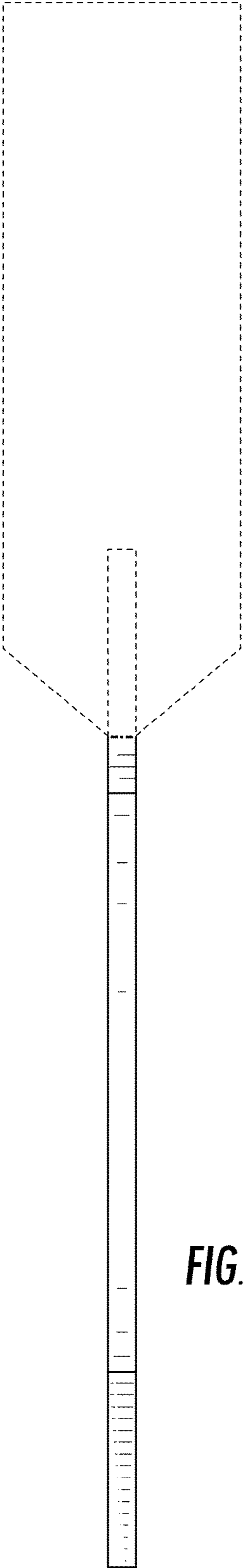


FIG. 2

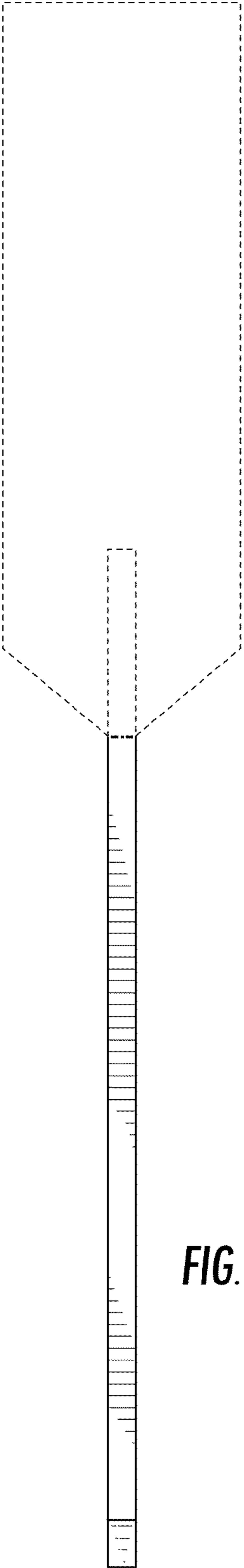


FIG. 3