



US00D689543S

(12) **United States Design Patent**  
**Seki et al.**

(10) **Patent No.:** **US D689,543 S**

(45) **Date of Patent:** **\*\* Sep. 10, 2013**

(54) **PRINTER**

(75) Inventors: **Yusaku Seki**, Nagoya (JP); **Jiro Suzuki**, Nagoya (JP); **Nobuyuki Iwai**, Chita-gun (JP); **Kil Jihoon**, Nagoya (JP)

(73) Assignee: **Brother Industries, Ltd.**, Nagoya (JP)

(\*\*) Term: **14 Years**

(21) Appl. No.: **29/416,924**

(22) Filed: **Mar. 28, 2012**

(30) **Foreign Application Priority Data**

Jan. 25, 2012 (JP) ..... 2012-1306

(51) **LOC (9) Cl.** ..... **14-02**

(52) **U.S. Cl.**  
USPC ..... **D18/50**

(58) **Field of Classification Search**

USPC ..... D18/14, 19, 36-37, 50, 54, 54.1, D18/55; D14/452-425, 463-470; 400/613, 400/613.1-613.4, 690, 690.1-690.4, 691-694  
See application file for complete search history.

(56) **References Cited**

**U.S. PATENT DOCUMENTS**

D550,279 S \* 9/2007 Tani ..... D18/50  
D555,194 S \* 11/2007 Smith et al. .... D18/55

D558,824 S \* 1/2008 Alfonso et al. .... D18/55  
D561,824 S \* 2/2008 Park et al. .... D18/55  
D574,886 S \* 8/2008 Mase et al. .... D18/55  
D584,344 S 1/2009 Lee et al.  
D586,385 S 2/2009 Kim et al.  
D633,556 S 3/2011 Park et al.  
D641,778 S 7/2011 Lee et al.  
D660,351 S \* 5/2012 Larson et al. .... D18/55  
D662,974 S 7/2012 Suzuki et al.

**OTHER PUBLICATIONS**

Suzuki et al., U.S. Appl. No. 29/416,893, filed Mar. 28, 2012.

\* cited by examiner

*Primary Examiner* — Cathy A MacCormac

(74) *Attorney, Agent, or Firm* — Oliff & Berridge, PLC

(57) **CLAIM**

The ornamental design for a printer, as shown and described.

**DESCRIPTION**

FIG. 1 is a perspective view of a printer;

FIG. 2 is a front view thereof;

FIG. 3 is a top view thereof;

FIG. 4 is a right-side view thereof;

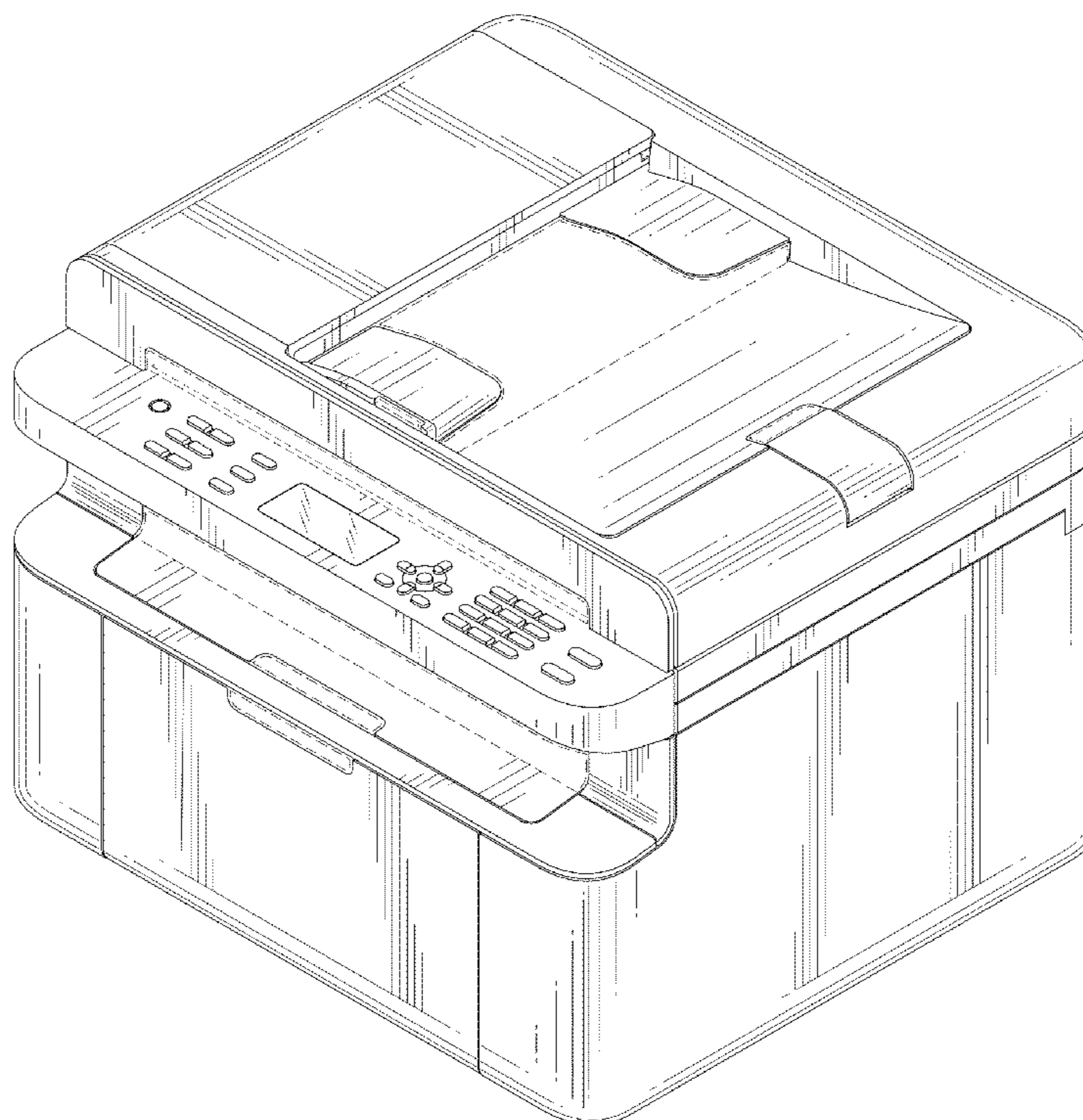
FIG. 5 is a left-side view thereof;

FIG. 6 is a rear view thereof; and,

FIG. 7 is a bottom view thereof.

The broken lines depict unclaimed portions only and form no part of the claimed design.

**1 Claim, 7 Drawing Sheets**



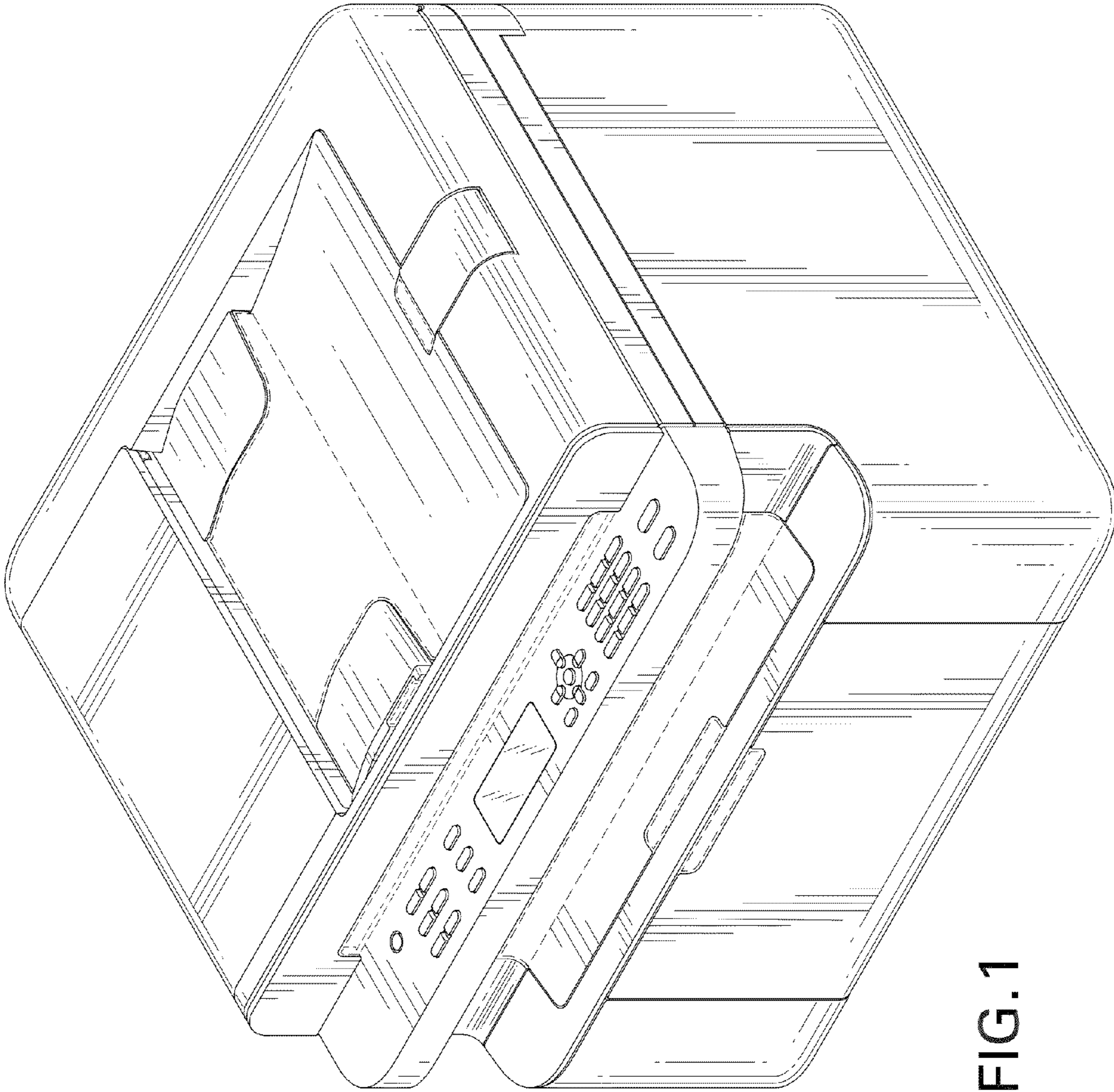


FIG. 1

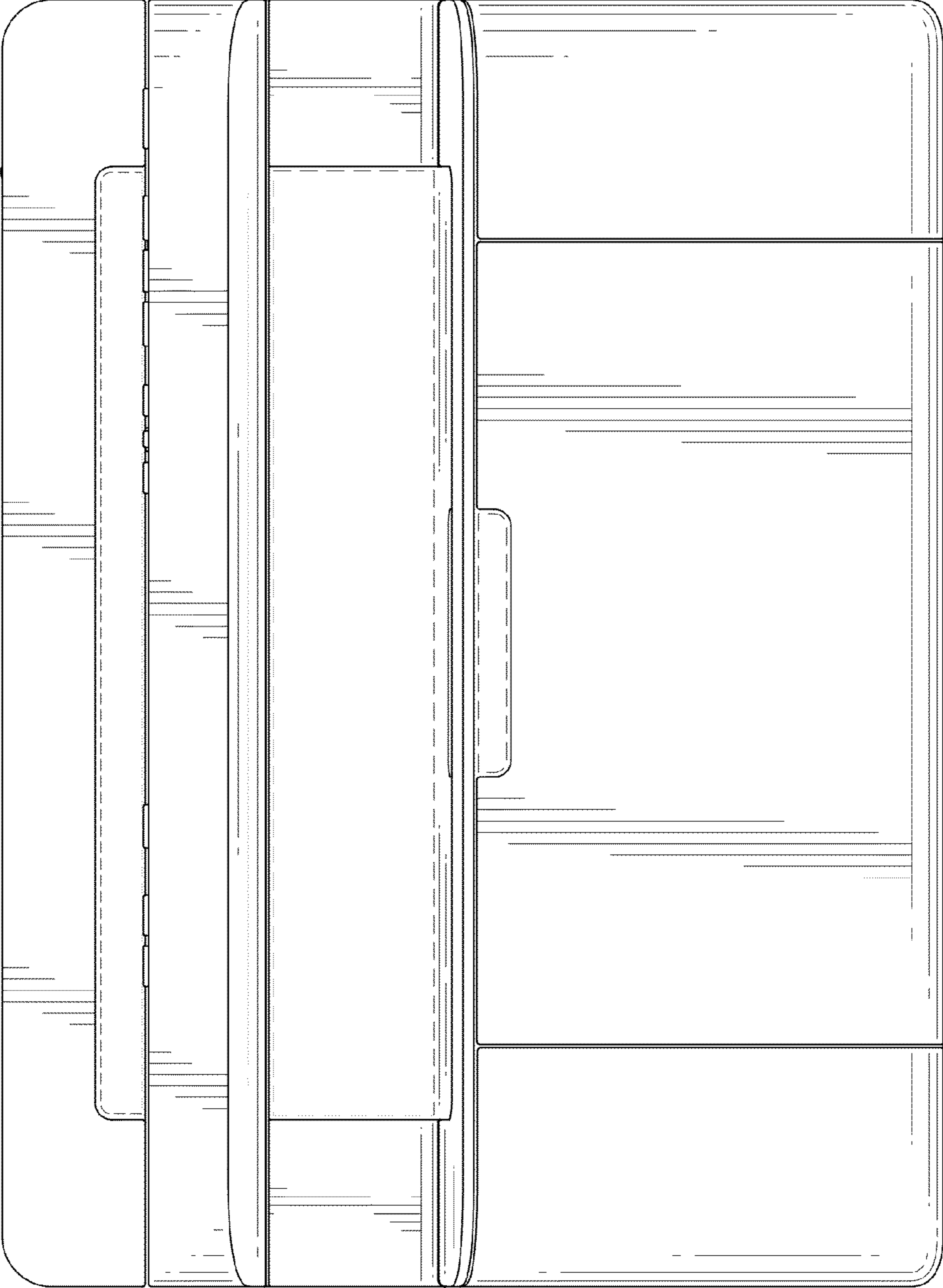


FIG. 2



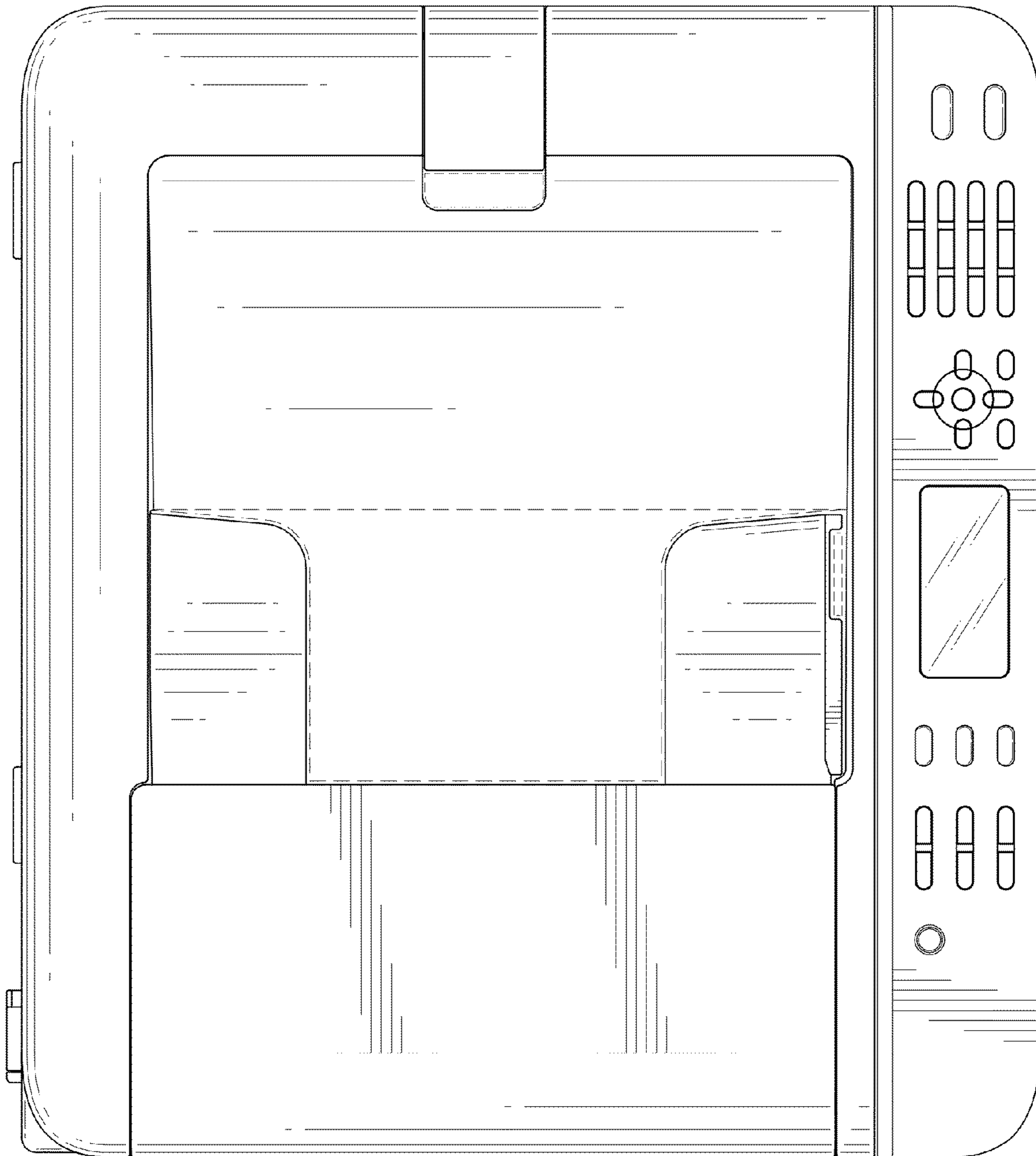


FIG. 3

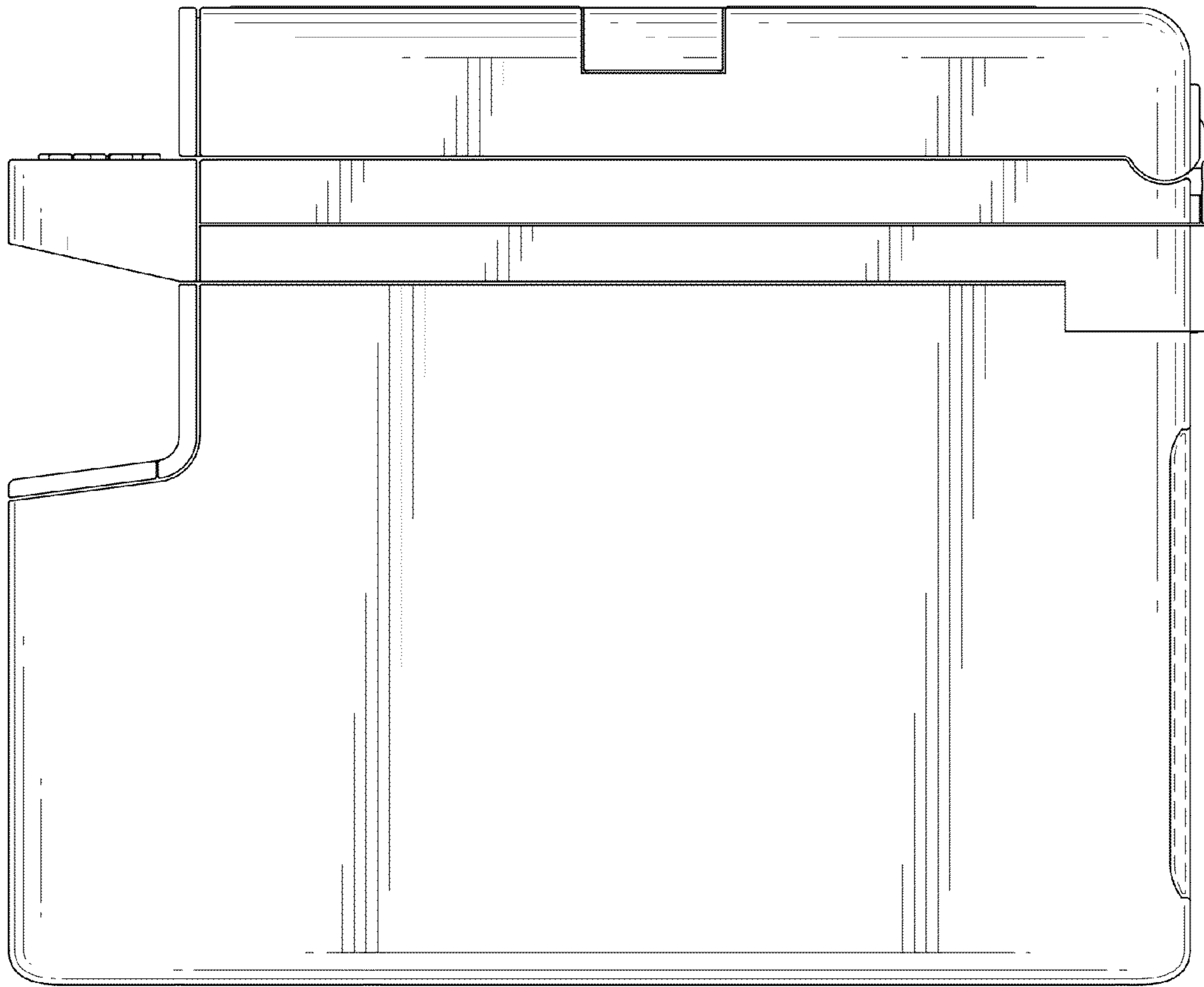


FIG.4

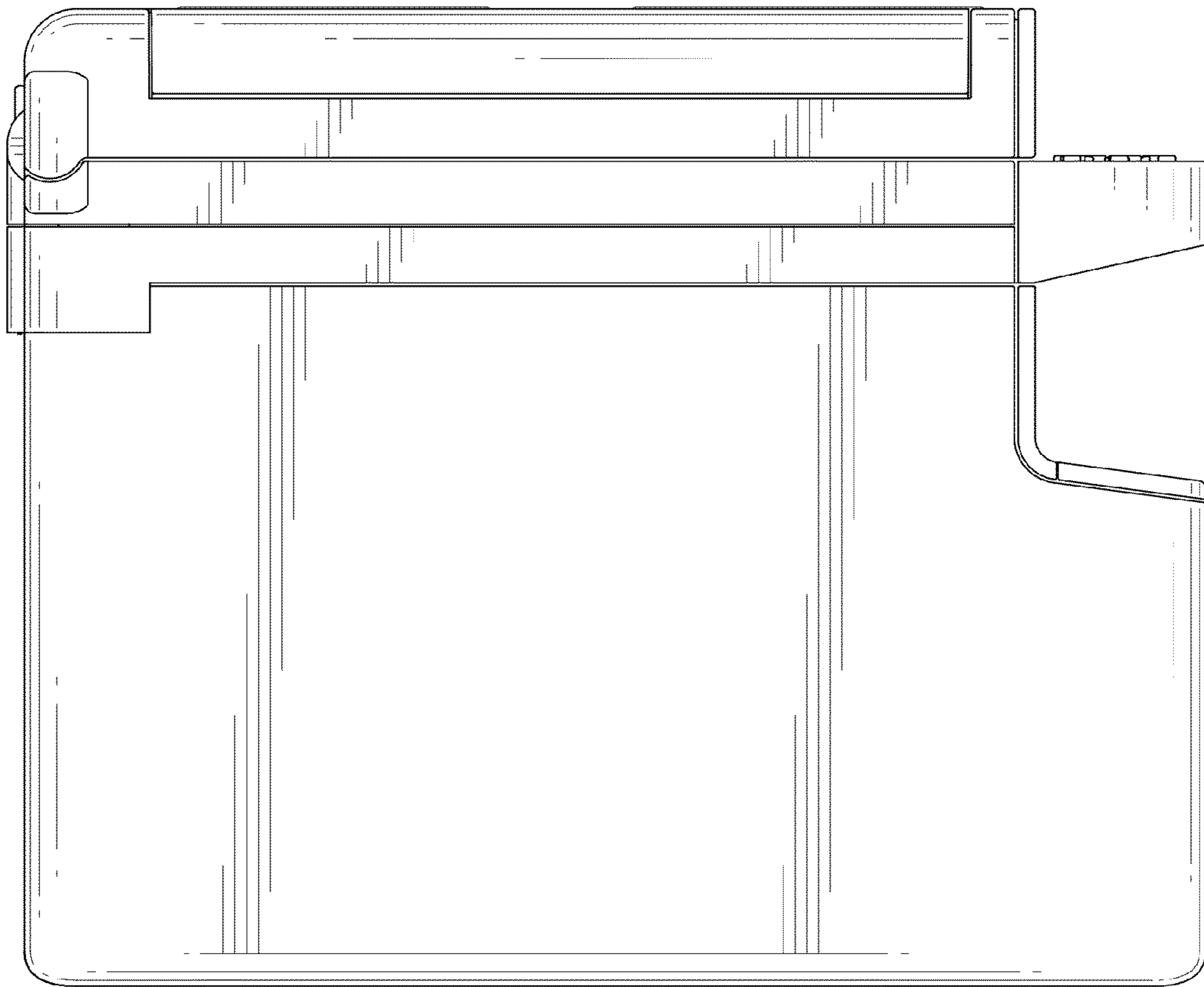


FIG.5

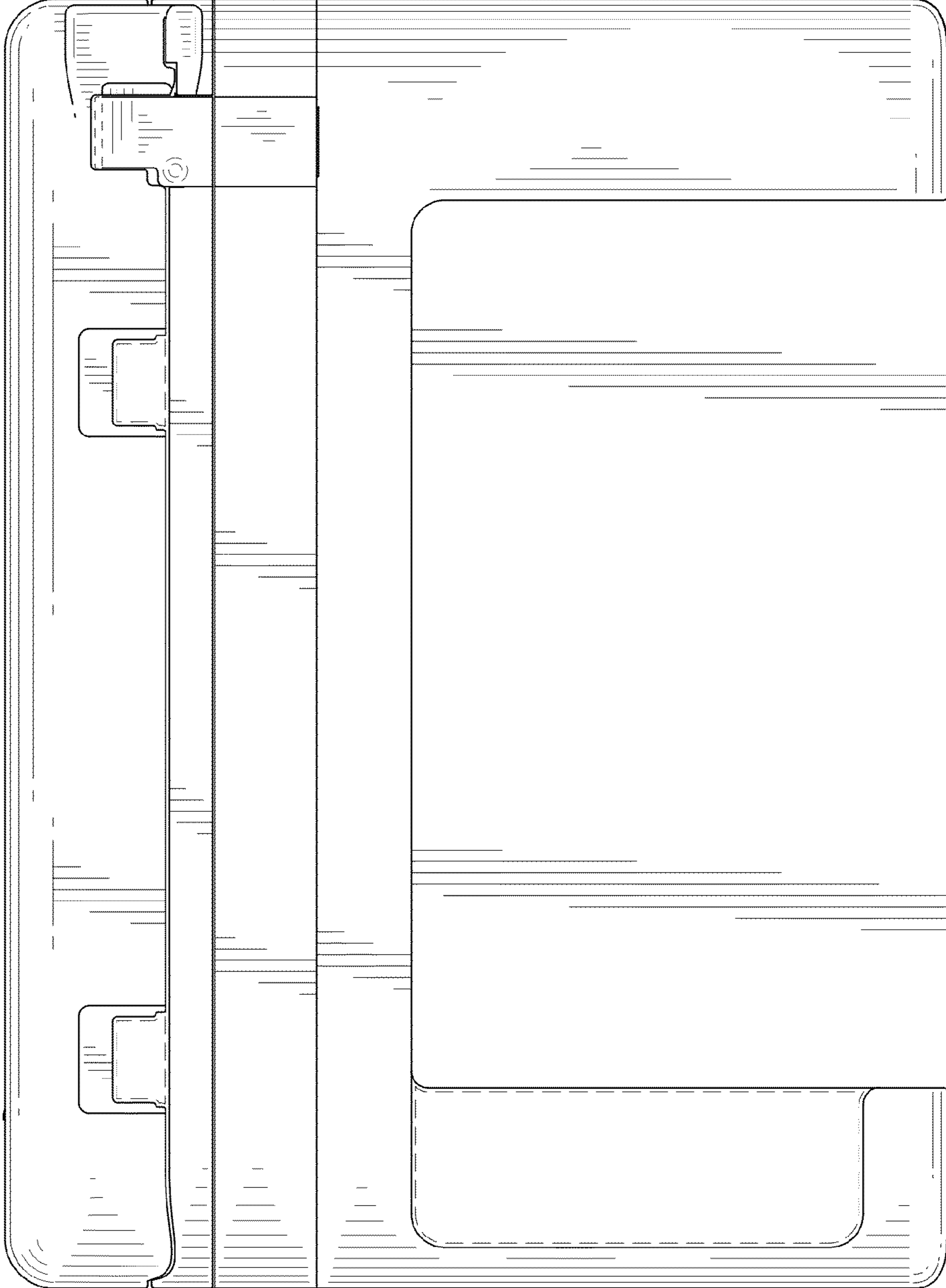


FIG. 6

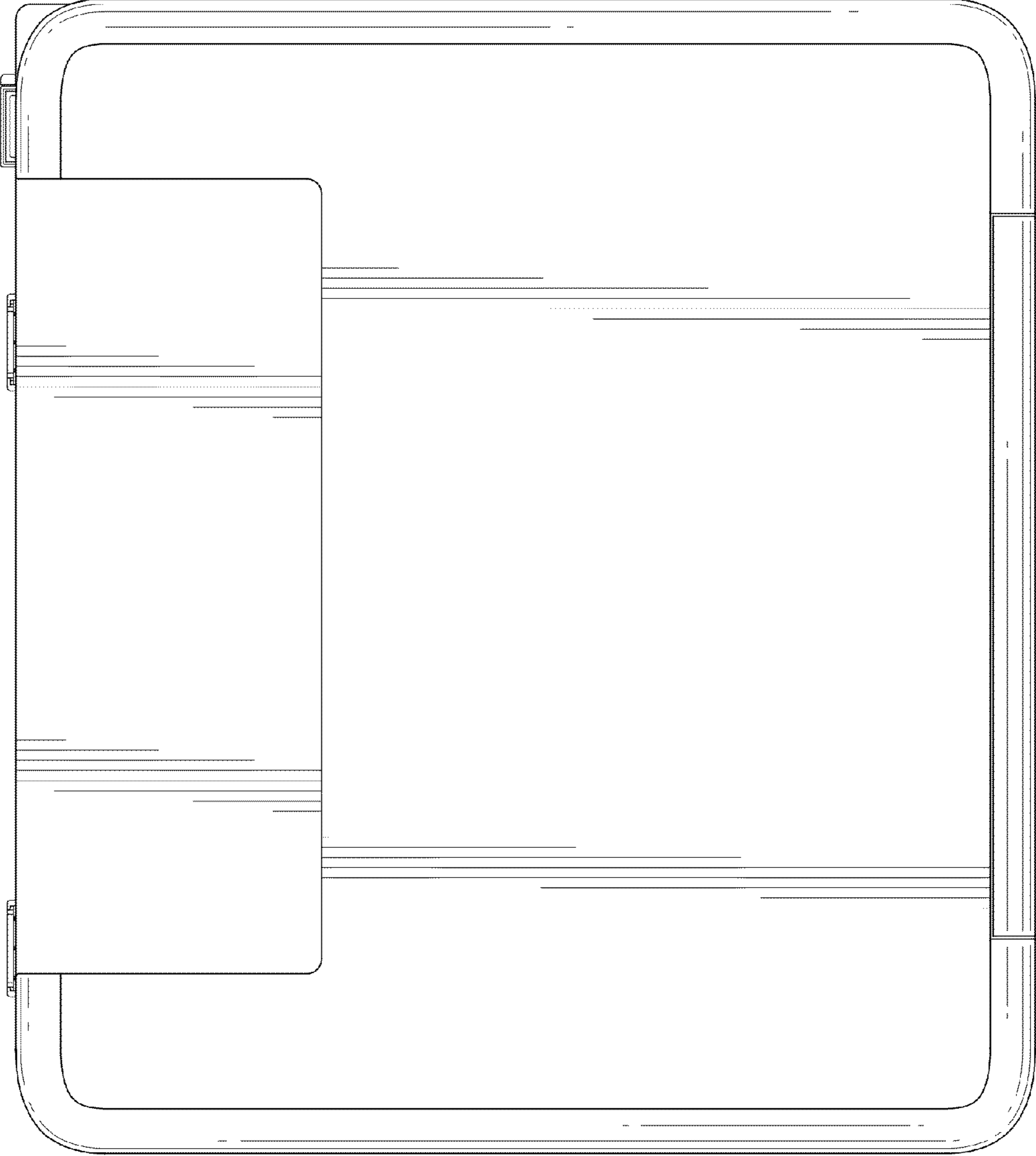


FIG. 7