



US00D689539S

(12) **United States Design Patent**
Zaletel et al.

(10) **Patent No.:** **US D689,539 S**

(45) **Date of Patent:** **** Sep. 10, 2013**

(54) **CAMERA STABILIZER**

(75) Inventors: **Michael Edward Zaletel**, Gilbert, AZ (US); **Aaron Neal Trout**, North Hollywood, CA (US); **Lisa Quirin**, Chandler, AZ (US); **Steve (Stephen) Craig Lyon**, Mesa, AZ (US)

(73) Assignee: **Michael Zaletel**

(**) Term: **14 Years**

(21) Appl. No.: **29/411,837**

(22) Filed: **Jan. 26, 2012**

(51) **LOC (9) Cl.** **16-05**

(52) **U.S. Cl.**
USPC **D16/242**; D8/72

(58) **Field of Classification Search**
USPC D16/200, 242, 243, 244, 245; D8/71, D8/72, 73, 74, 107, 303, 305, 363; D14/253; D7/622; D24/133, 143; 248/157, 158, 176.1, 248/177.1, 187.1; 224/581; 396/419, 428
See application file for complete search history.

(56) **References Cited**

U.S. PATENT DOCUMENTS

D252,255 S * 7/1979 Uyeda D8/394
4,687,309 A 8/1987 Breslau
D297,301 S * 8/1988 Aoki et al. D8/72
D320,995 S * 10/1991 Fukuda et al. D16/243

(Continued)

Primary Examiner — Philip S Hyder
Assistant Examiner — John T Applewhite

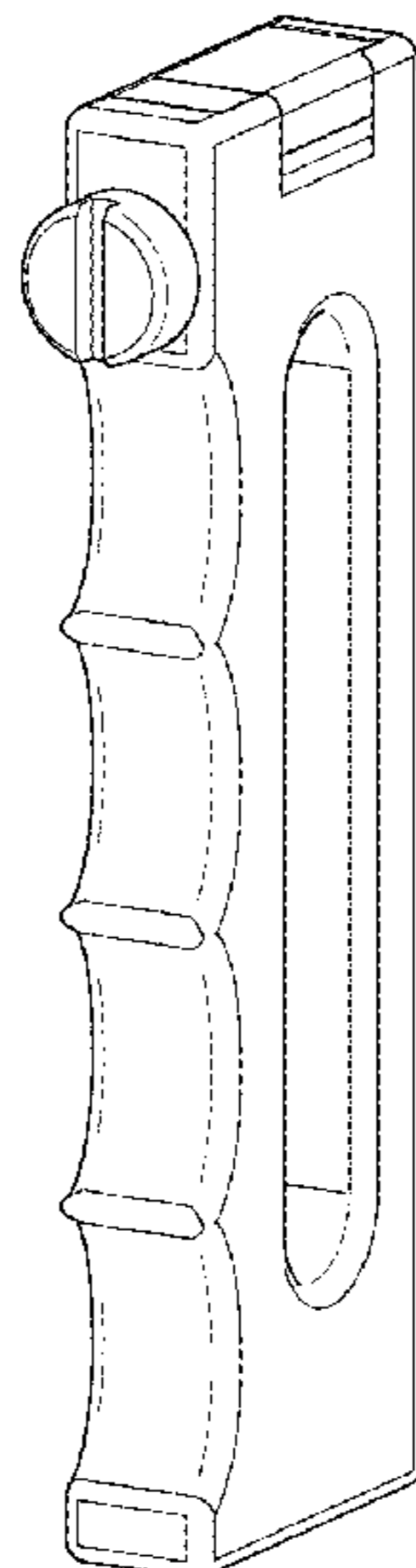
(74) *Attorney, Agent, or Firm* — Belles Katz LLC

(57) **CLAIM**
We claim the ornamental design for a camera stabilizer, as shown and described.

DESCRIPTION

FIG. 1 is a front perspective view of a camera stabilizer according to a first embodiment of the present invention. FIG. 2 is a rear perspective view of the camera stabilizer of FIG. 1. FIG. 3 is a front view of the camera stabilizer of FIG. 1. FIG. 4 is a rear view of the camera stabilizer of FIG. 1. FIG. 5 is a left-side view of the camera stabilizer of FIG. 1. FIG. 6 is a right-side view of the camera stabilizer of FIG. 1. FIG. 7 is a top view of the camera stabilizer of FIG. 1. FIG. 8 is a bottom view of the camera stabilizer of FIG. 1. FIG. 9 is a front perspective view of the camera stabilizer of FIG. 1 having an arm thereof extended. FIG. 10 is a rear perspective view of the camera stabilizer of FIG. 9. FIG. 11 is a top perspective view of the camera stabilizer of FIG. 9. FIG. 12 is a bottom perspective view of the camera stabilizer of FIG. 9. FIG. 13 is a front view of the camera stabilizer of FIG. 9. FIG. 14 is a rear view of the camera stabilizer of FIG. 9. FIG. 15 is a left-side view of the camera stabilizer of FIG. 9. FIG. 16 is a right-side view of the camera stabilizer of FIG. 9. FIG. 17 is a top view of the camera stabilizer of FIG. 9. FIG. 18 is a bottom view of the camera stabilizer of FIG. 9; and, FIG. 19 is a front perspective view of the camera stabilizer of FIG. 9 stabilizing an unclaimed camera device. The broken lines illustrate portions of the camera stabilizer that form no part of claimed design.

1 Claim, 13 Drawing Sheets



(56)

References Cited

U.S. PATENT DOCUMENTS

D327,287 S * 6/1992 Fukuda et al. D16/243
 5,148,281 A 9/1992 Nakamura et al.
 5,243,370 A 9/1993 Slater
 D341,370 S * 11/1993 Hart et al. D16/242
 5,371,539 A 12/1994 Okino et al.
 D362,008 S 9/1995 McCumber
 5,563,652 A 10/1996 Toba et al.
 5,648,815 A 7/1997 Toba
 5,868,031 A 2/1999 Kokush et al.
 5,909,242 A 6/1999 Kobayashi et al.
 5,963,749 A 10/1999 Nicholson
 6,008,494 A 12/1999 Heukensfeldt Jansen
 D421,032 S 2/2000 Oka
 6,051,837 A 4/2000 Heukensfeldt Jansen
 D432,891 S * 10/2000 Sterling D8/107
 6,130,993 A 10/2000 Hayakawa
 6,144,405 A 11/2000 Toba
 6,188,849 B1 2/2001 Staicouras
 D456,510 S * 4/2002 Spetzler et al. D24/143
 6,396,538 B1 5/2002 Kobayashi et al.
 D462,879 S * 9/2002 Martens D7/622
 6,773,110 B1 8/2004 Gale
 6,862,407 B2 * 3/2005 Gale 396/59
 7,000,879 B2 2/2006 Gonzales
 7,097,368 B2 8/2006 Gonzales
 D533,761 S * 12/2006 Lin D8/107

D553,462 S * 10/2007 Cantlon et al. D8/71
 D557,582 S * 12/2007 Murray et al. D8/73
 D567,619 S * 4/2008 Rianda D8/73
 7,372,502 B2 5/2008 Gonzalez
 D576,464 S * 9/2008 Franks, Jr. D8/72
 7,488,126 B2 2/2009 Gonzales
 7,489,340 B2 2/2009 Koo et al.
 7,505,677 B2 3/2009 Kim et al.
 7,519,282 B2 4/2009 Shin et al.
 7,558,473 B2 7/2009 Shin et al.
 D626,541 S * 11/2010 Kim et al. D14/253
 7,830,415 B2 11/2010 Nakahara
 D641,871 S * 7/2011 Tenger et al. D24/133
 8,014,658 B2 9/2011 Huang
 D651,885 S * 1/2012 Banasik D8/72
 D654,493 S * 2/2012 Baumann et al. D14/253
 D656,175 S * 3/2012 Fong D16/244
 8,174,583 B2 5/2012 Ko et al.
 8,244,120 B2 8/2012 Chiu
 8,328,359 B2 12/2012 Monroe et al.
 2004/0011932 A1 * 1/2004 Duff 248/157
 2006/0241639 A1 * 10/2006 Kuczynski et al. 606/88
 2007/0012825 A1 * 1/2007 Yeh 248/122.1
 2009/0254094 A1 * 10/2009 Knapp et al. 606/96
 2011/0000945 A1 * 1/2011 Mongan et al. 224/581
 2011/0069947 A1 * 3/2011 Orf 396/419
 2011/0163211 A1 * 7/2011 Cicco 248/158

* cited by examiner

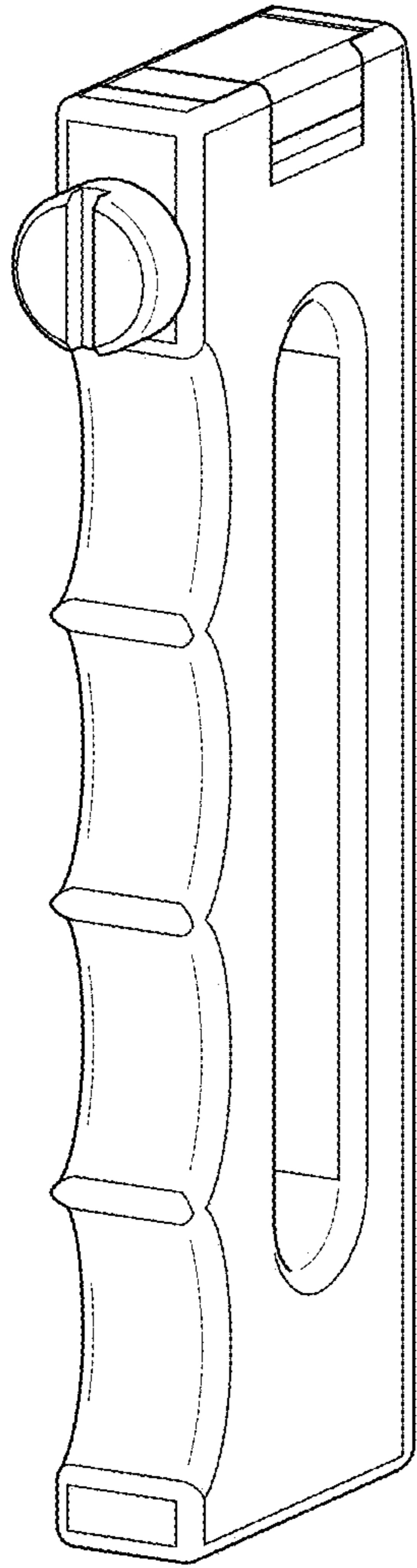


FIG. 1

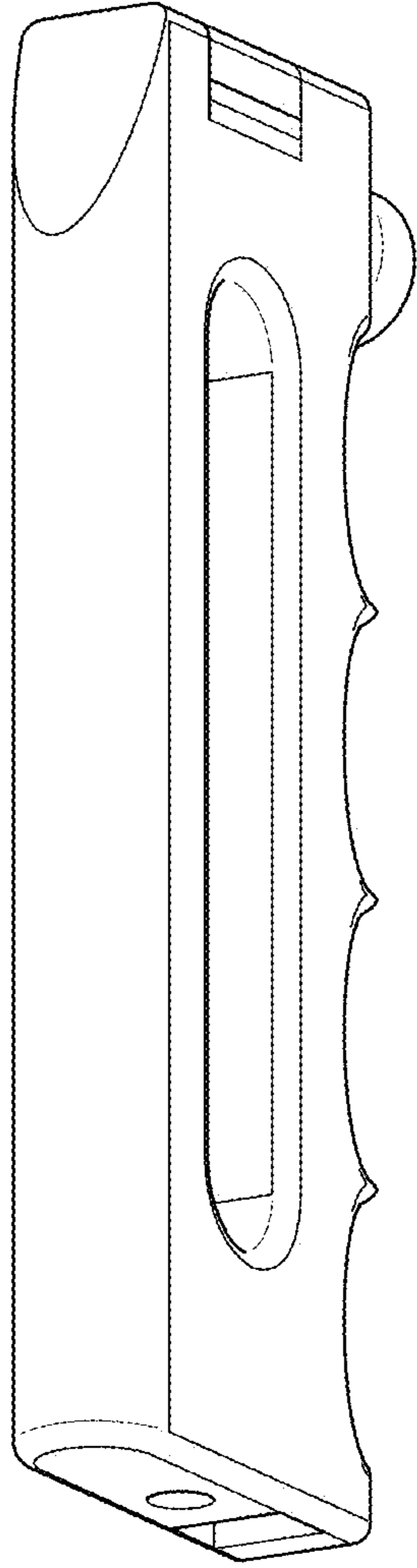


FIG. 2

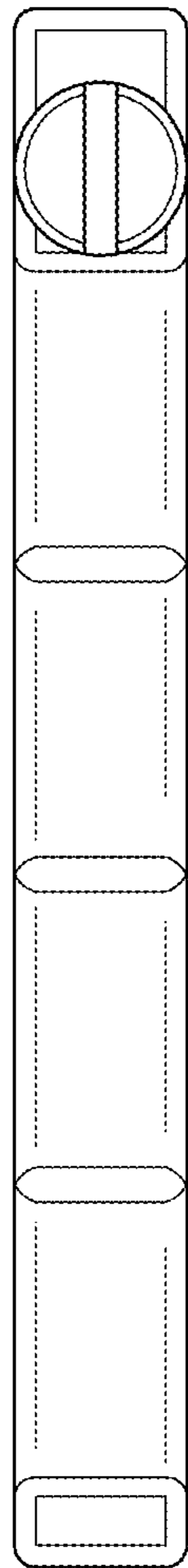


FIG. 3

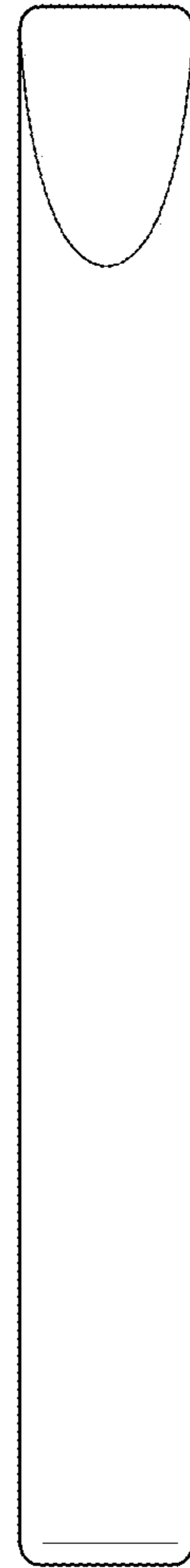


FIG. 4

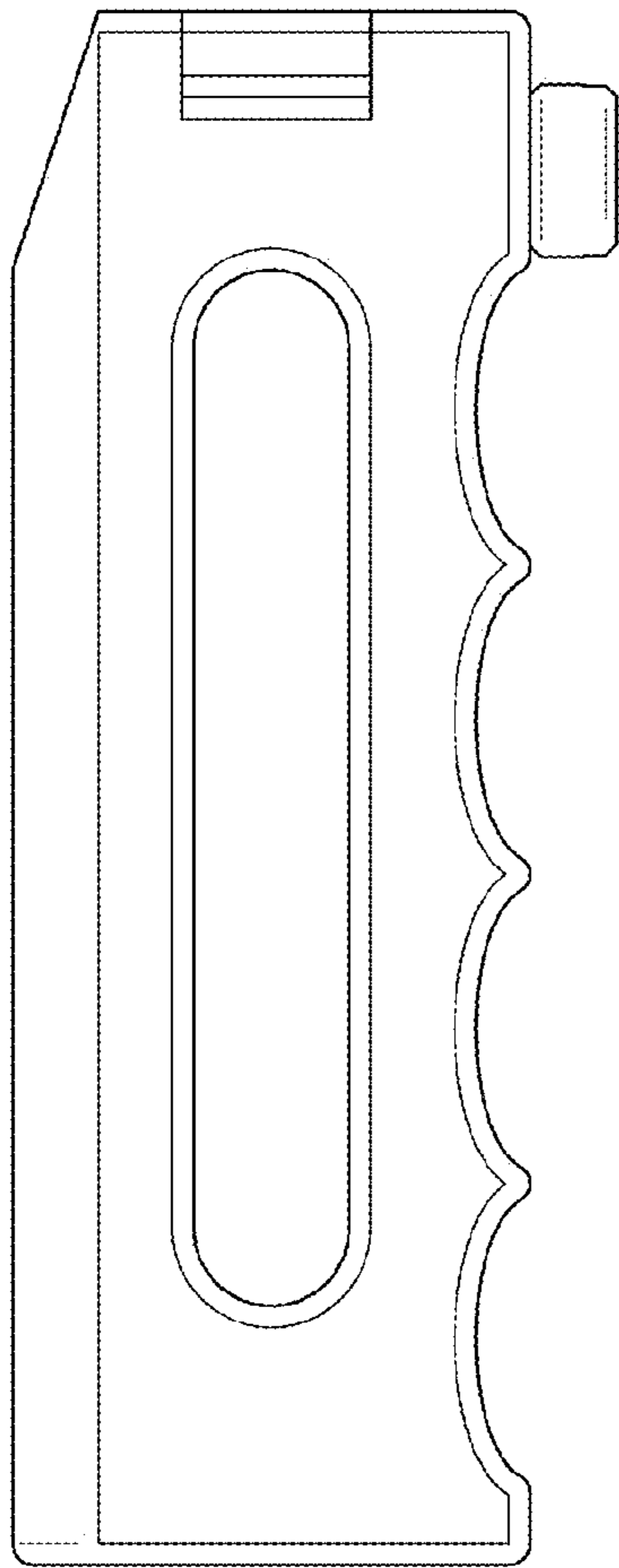


FIG. 5

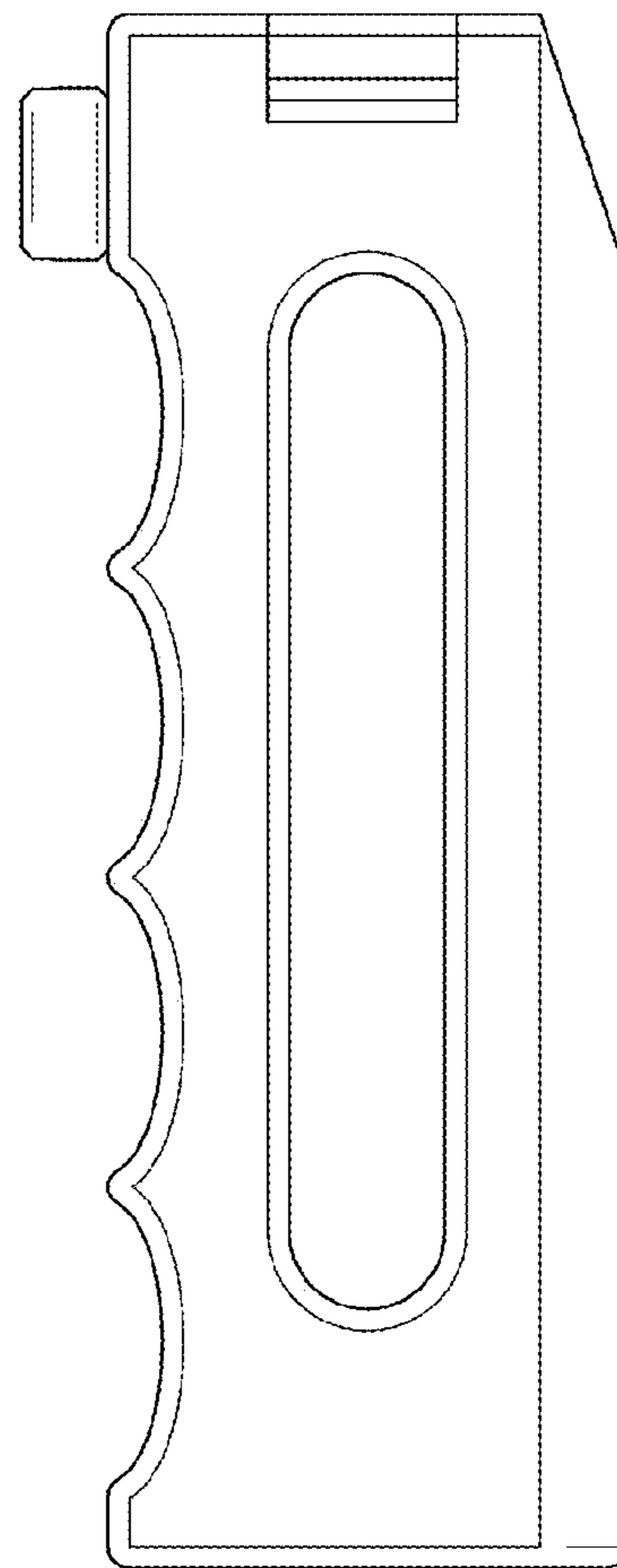


FIG. 6

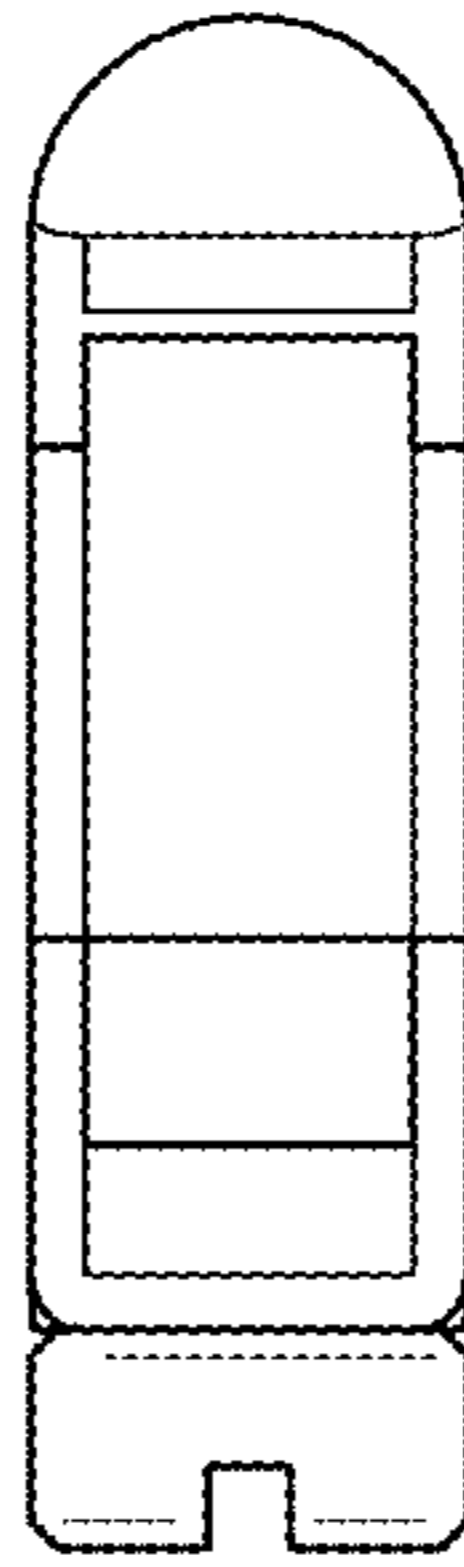


FIG. 7

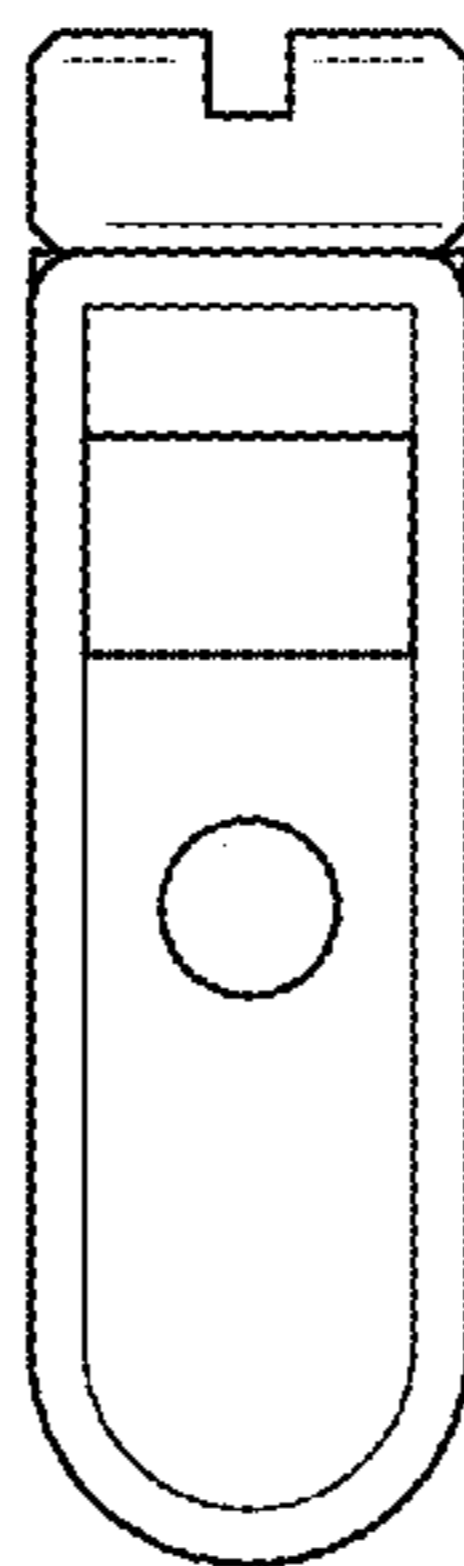


FIG. 8

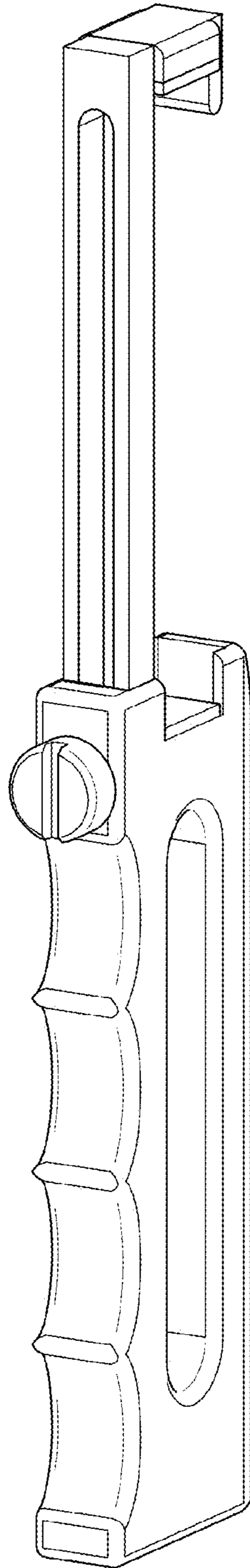


FIG. 9

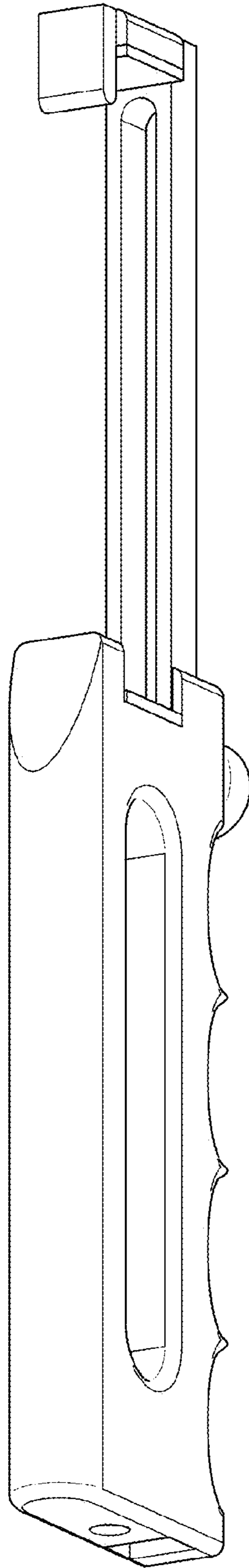


FIG. 10

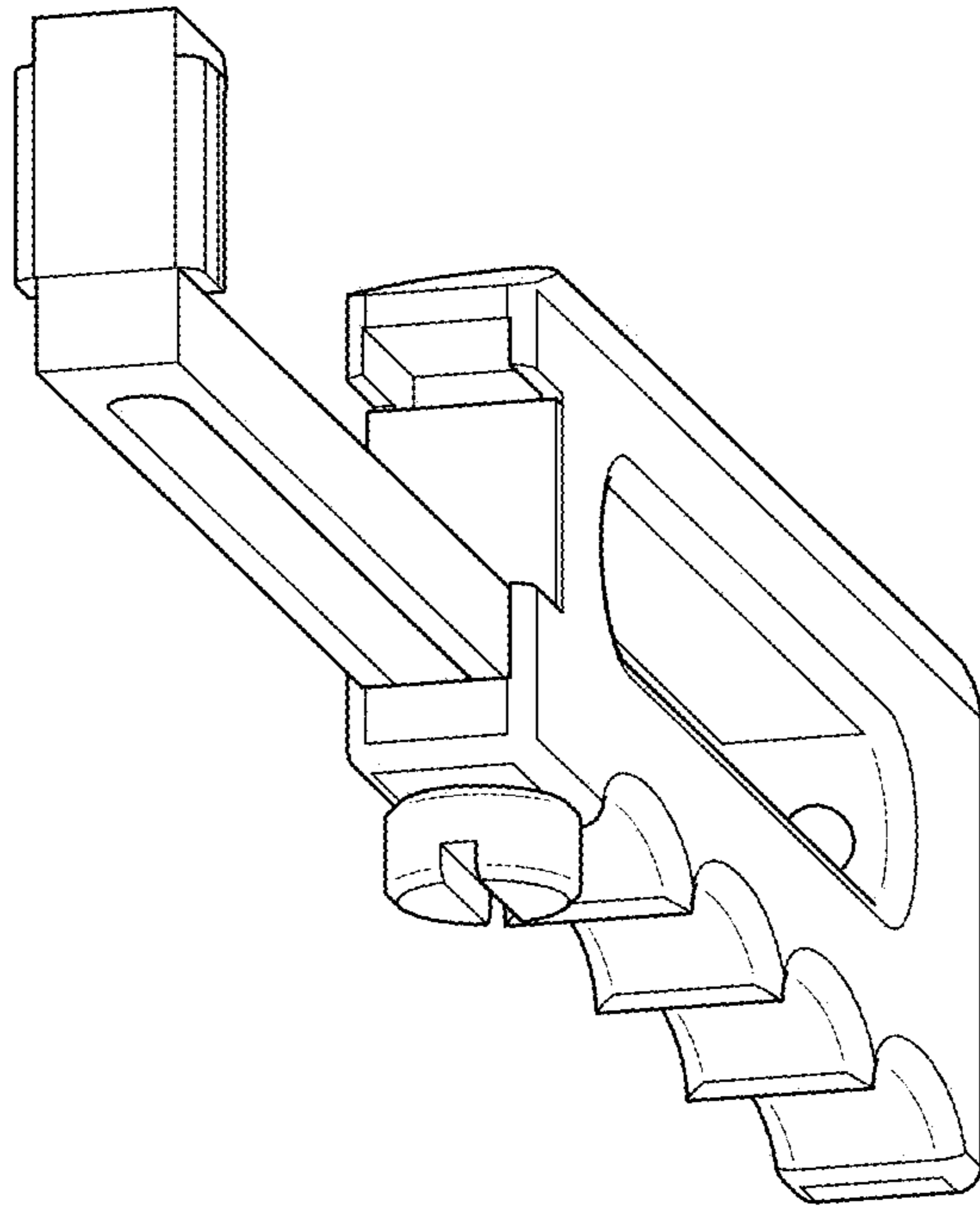


FIG. 11

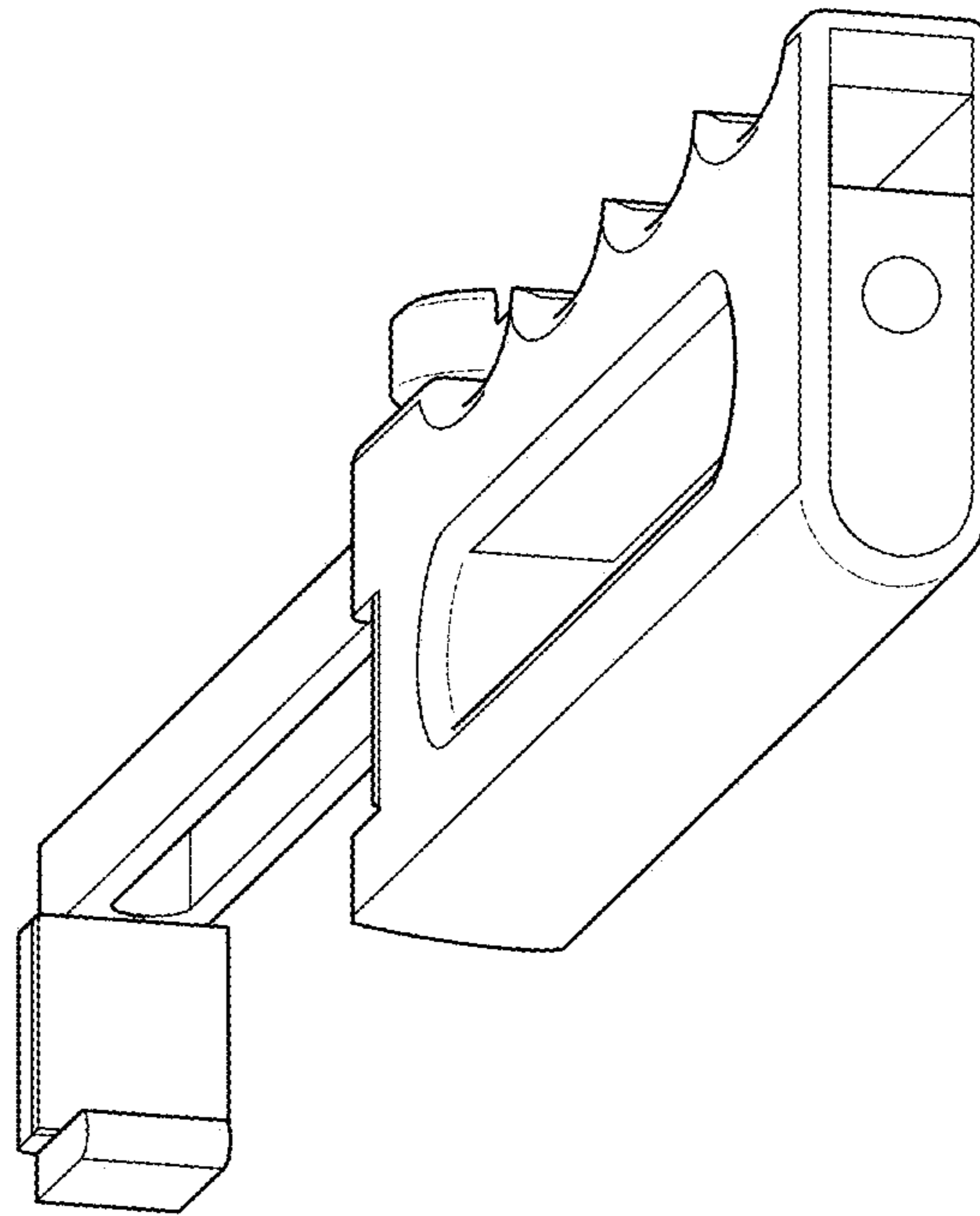


FIG. 12

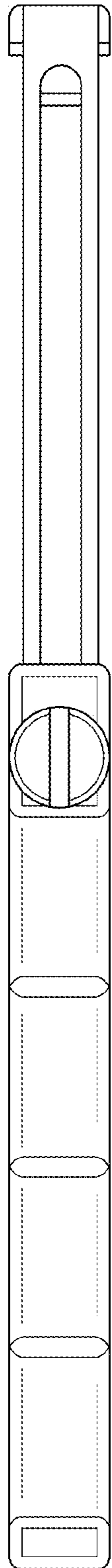


FIG. 13

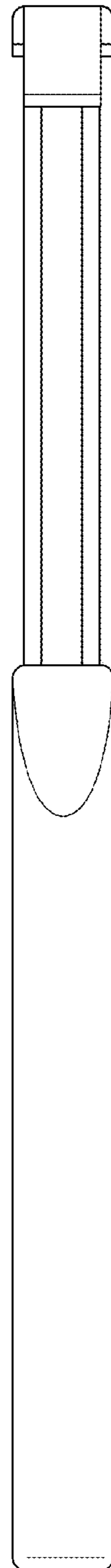


FIG. 14

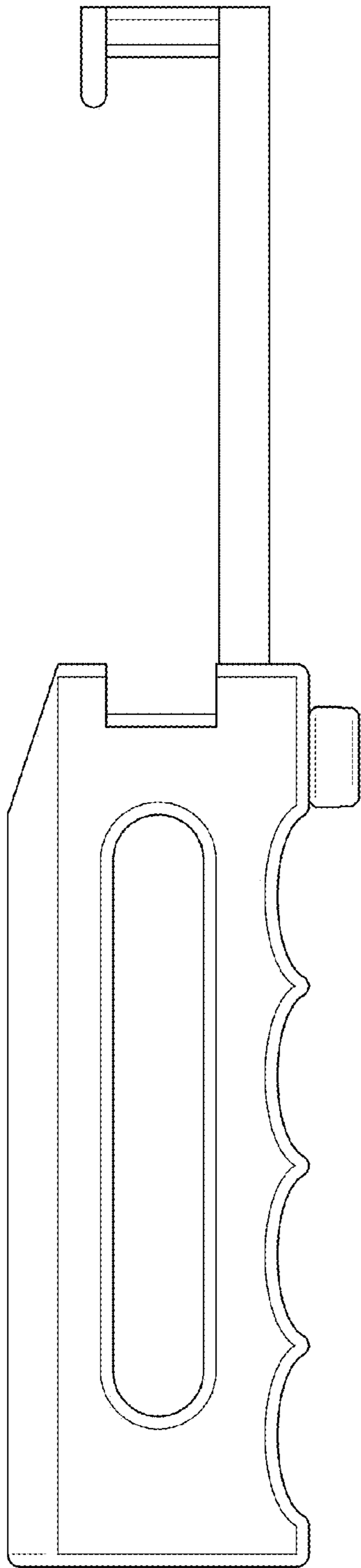


FIG. 15

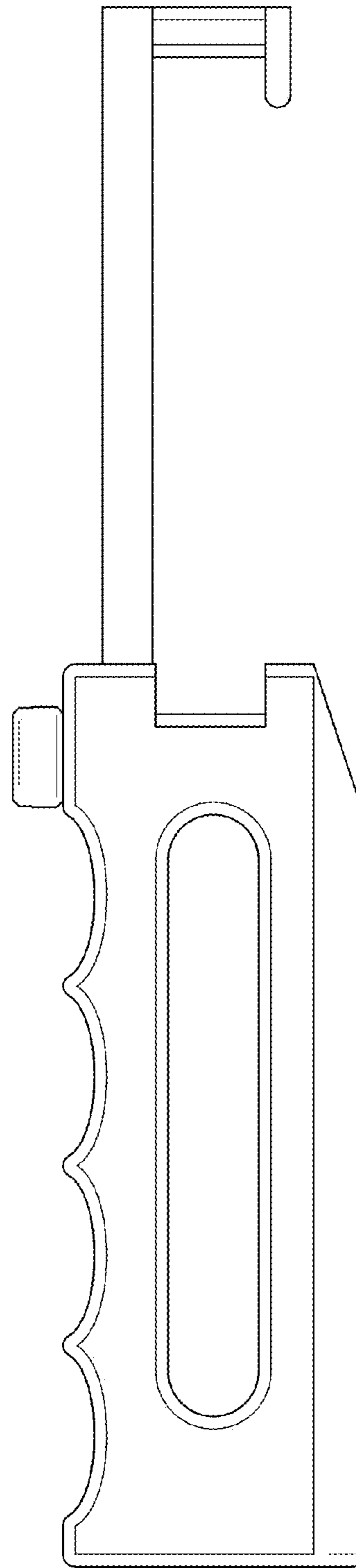


FIG. 16

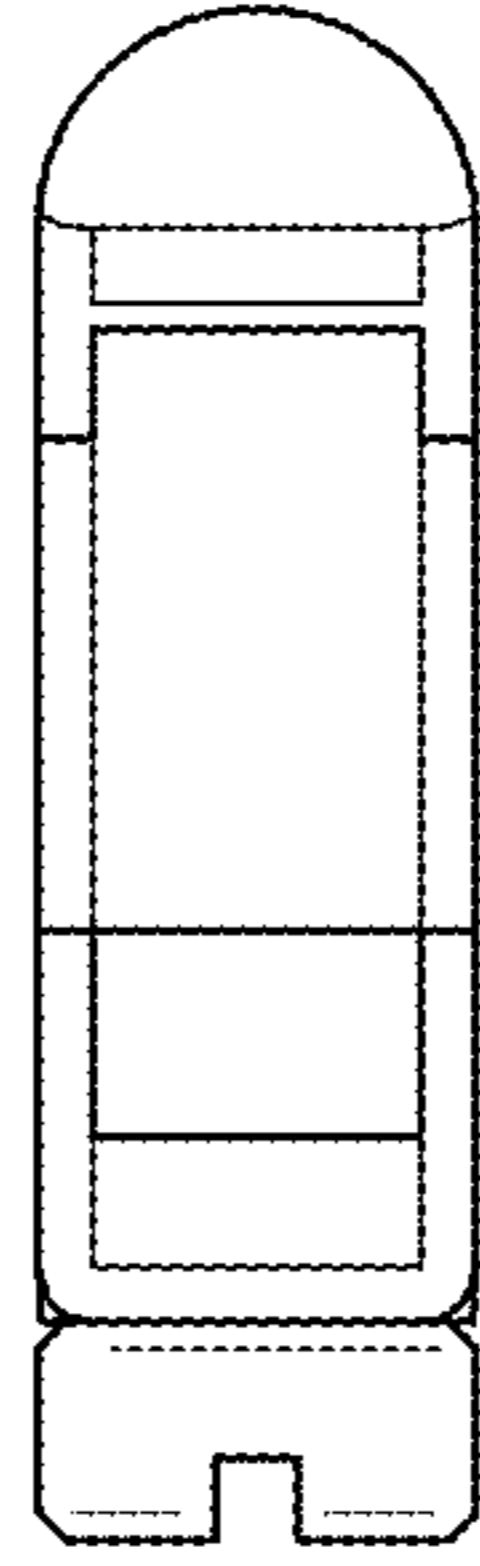


FIG. 17

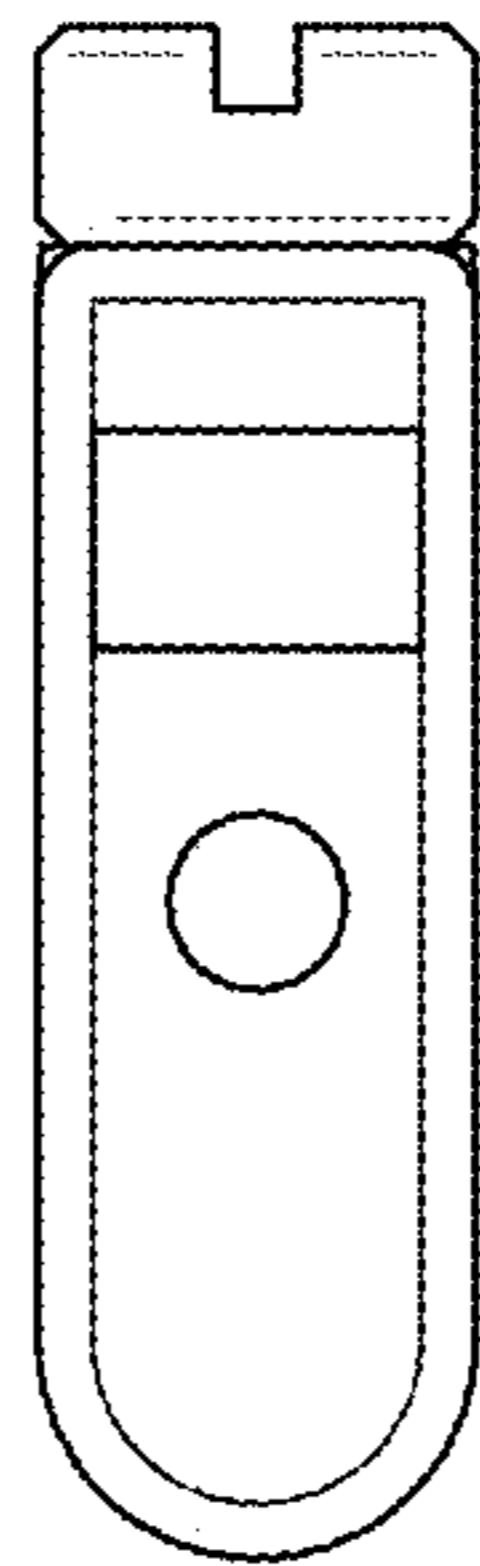


FIG. 18

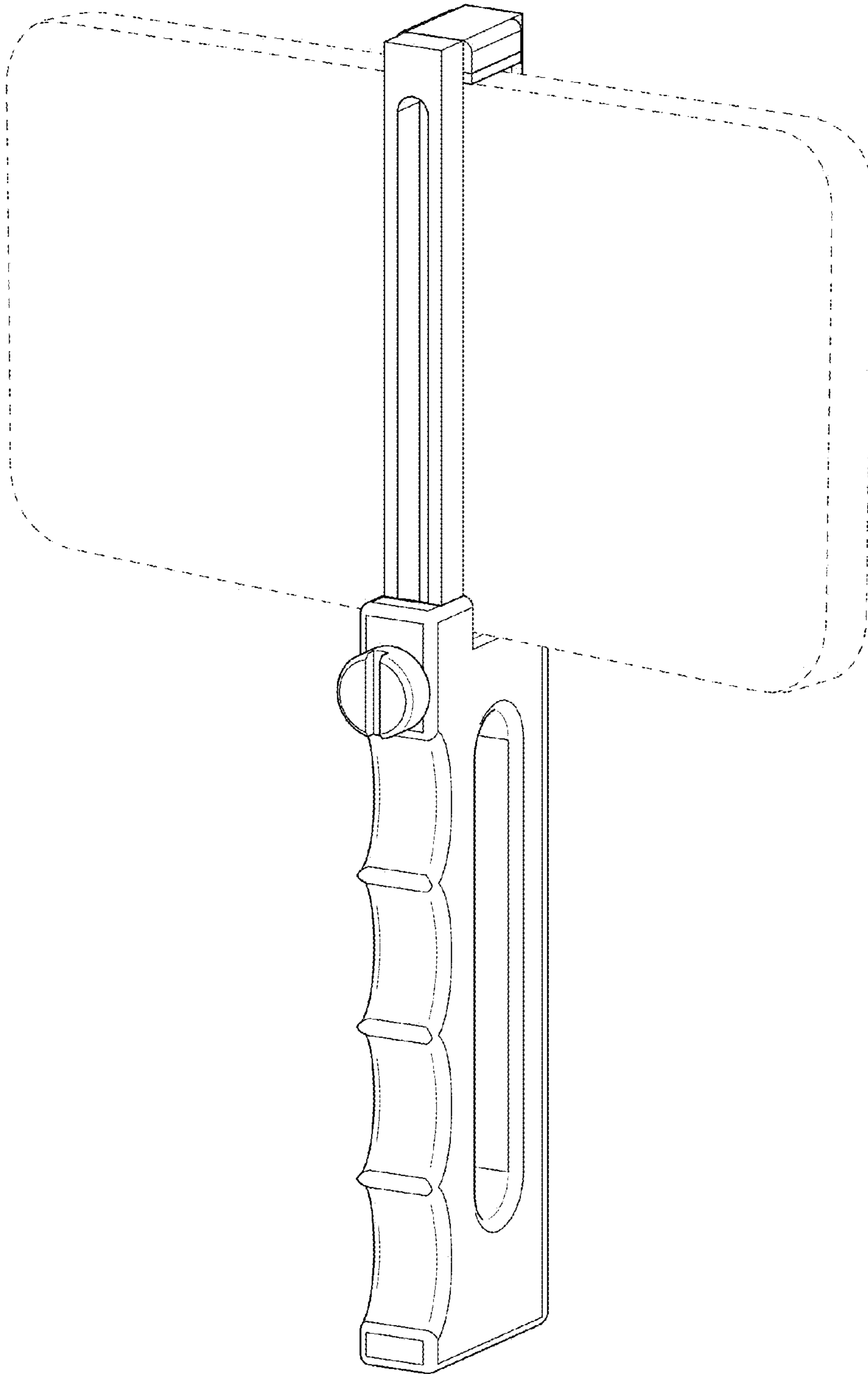


FIG. 19