



US00D689538S

(12) **United States Design Patent**
Sato

(10) **Patent No.:** **US D689,538 S**

(45) **Date of Patent:** **** Sep. 10, 2013**

(54) **ELECTRONIC FLASH DEVICE FOR CAMERA**

(75) Inventor: **Jun Sato**, Tokyo (JP)

(73) Assignee: **FUJIFILM Corporation**, Tokyo (JP)

(**) Term: **14 Years**

(21) Appl. No.: **29/415,903**

(22) Filed: **Mar. 15, 2012**

(30) **Foreign Application Priority Data**

Dec. 26, 2011 (JP) 2011-030036

(51) **LOC (9) Cl.** **16-05**

(52) **U.S. Cl.**
USPC **D16/239**

(58) **Field of Classification Search**
USPC D16/237, 239, 240; 362/3, 16-18;
396/155, 182
See application file for complete search history.

(56) **References Cited**

U.S. PATENT DOCUMENTS

3,521,540 A * 7/1970 Cavallo 362/3
6,088,542 A * 7/2000 Yanai et al. 396/155

D444,161 S * 6/2001 Nakamura D16/202
D502,488 S * 3/2005 Miyashita D16/240
D525,276 S * 7/2006 de Leon D16/239
D562,875 S * 2/2008 Kitera D16/239
2009/0122181 A1 * 5/2009 Matsui 362/3

* cited by examiner

Primary Examiner — Adir Aronovich

(74) *Attorney, Agent, or Firm* — Sughrue Mion, PLLC

(57) **CLAIM**

The ornamental design for an electronic flash device for camera, as shown and described.

DESCRIPTION

FIG. 1 is a top, front and left side perspective view of an electronic flash device for camera showing my new design; FIG. 2 is a top, front and right side perspective view thereof; FIG. 3 is a front elevational view thereof; FIG. 4 is a rear elevational view thereof; FIG. 5 is a top plan view thereof; FIG. 6 is a bottom plan view thereof; FIG. 7 is a left side elevational view thereof; FIG. 8 is a right side elevational view thereof; and, FIG. 9 is a reduced top, front and left side perspective view, a camera is shown to illustrate environment only and forms no part of the claimed design.

1 Claim, 9 Drawing Sheets

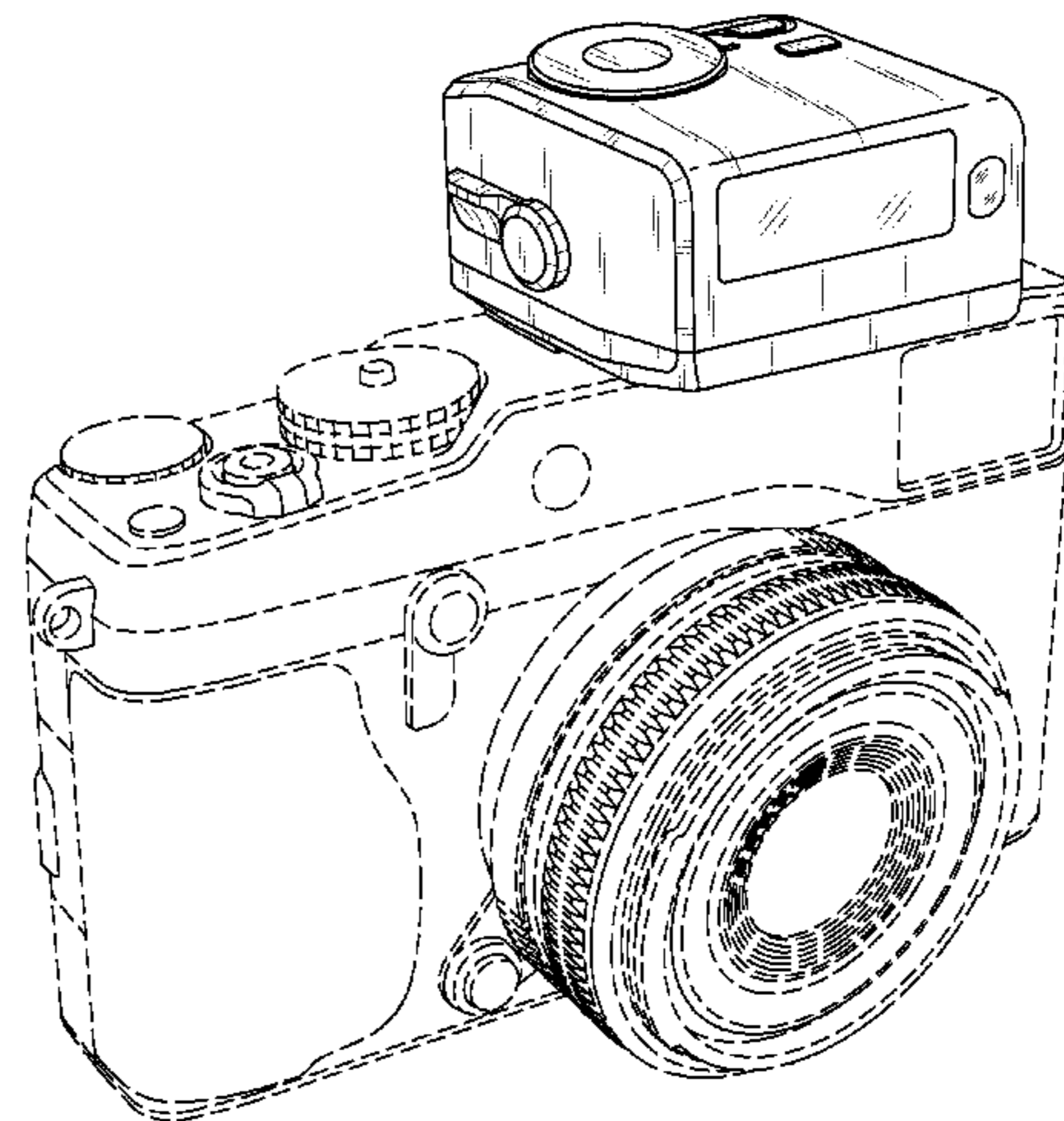
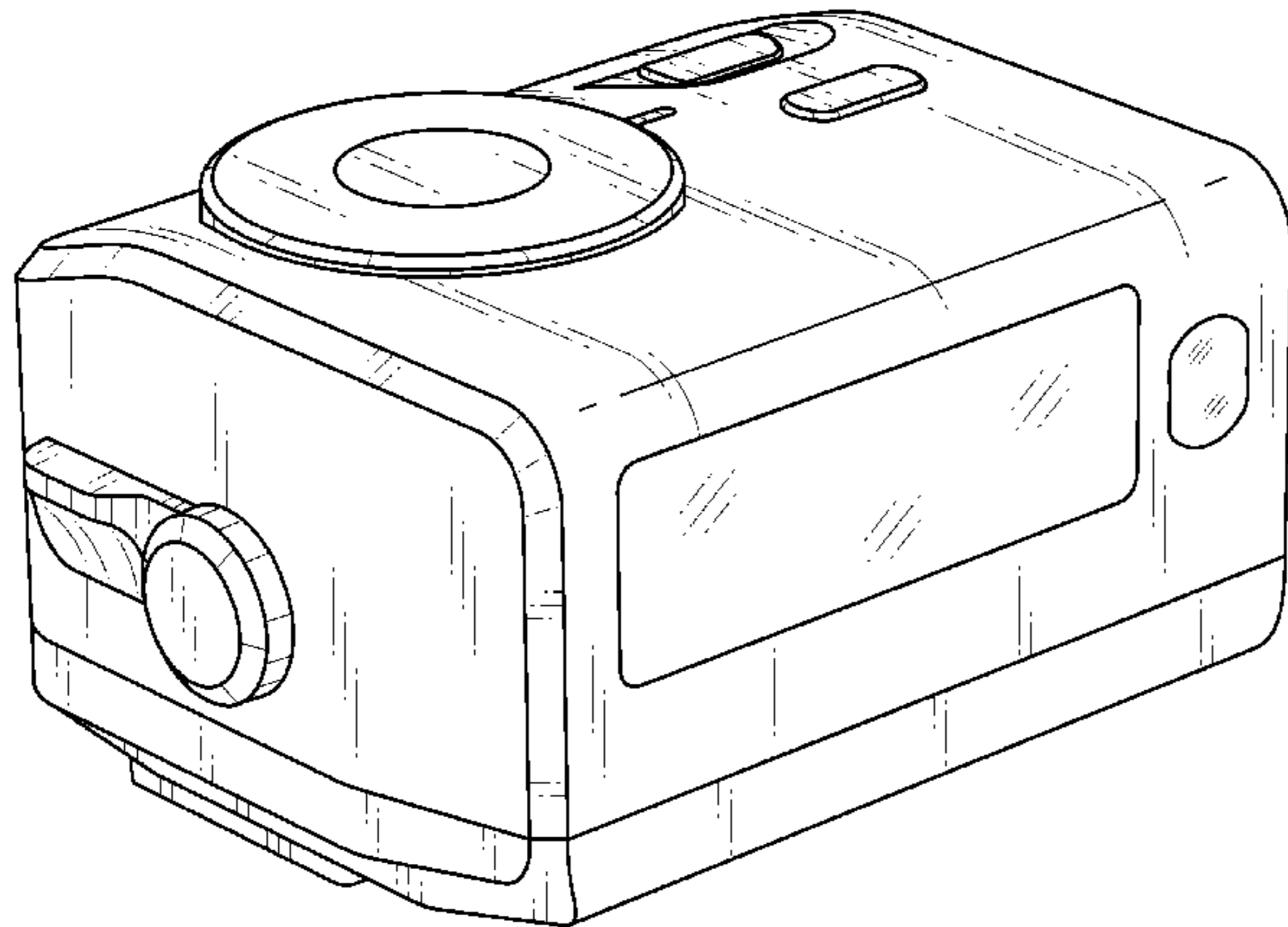


FIG.1

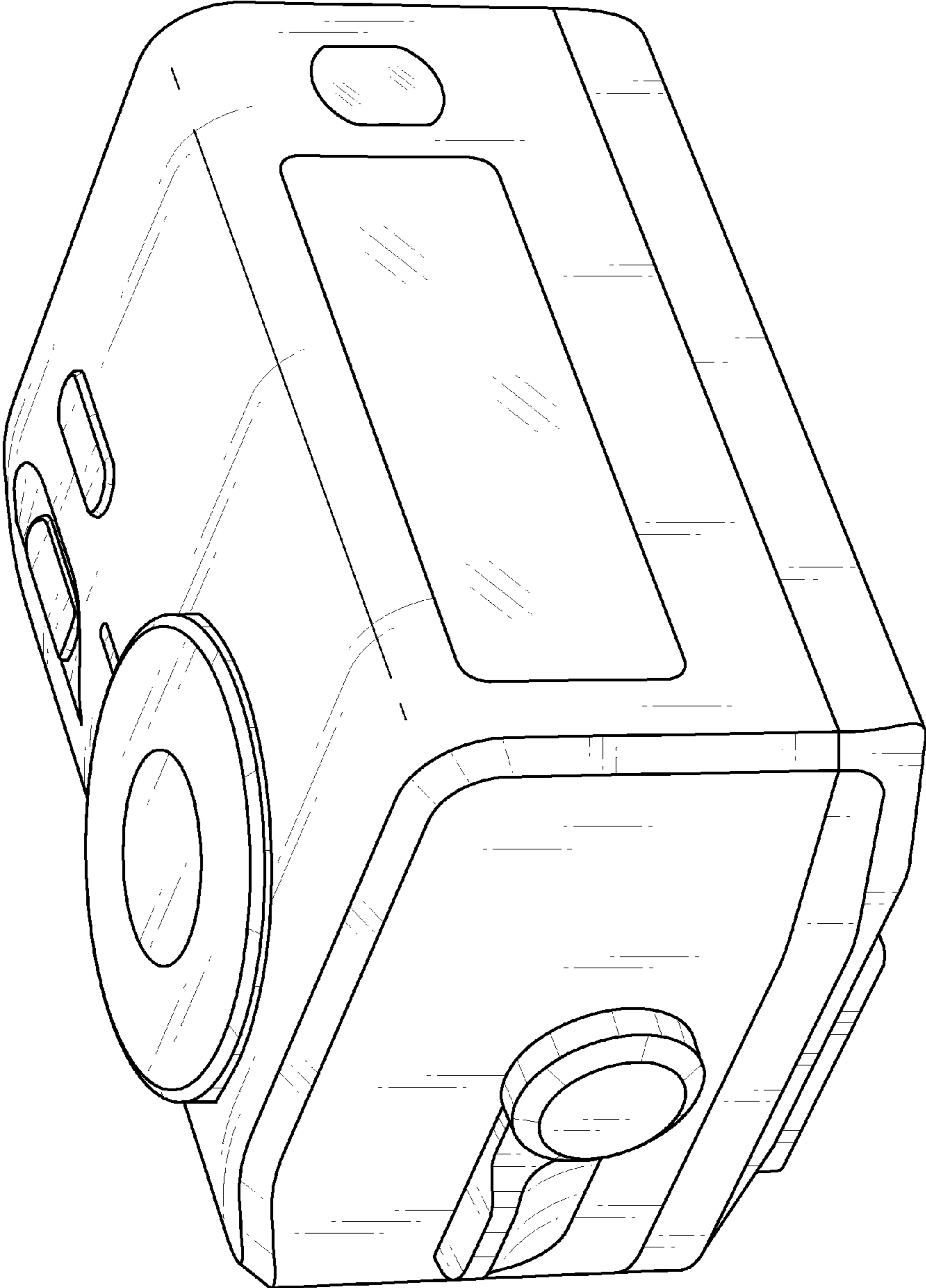


FIG.2

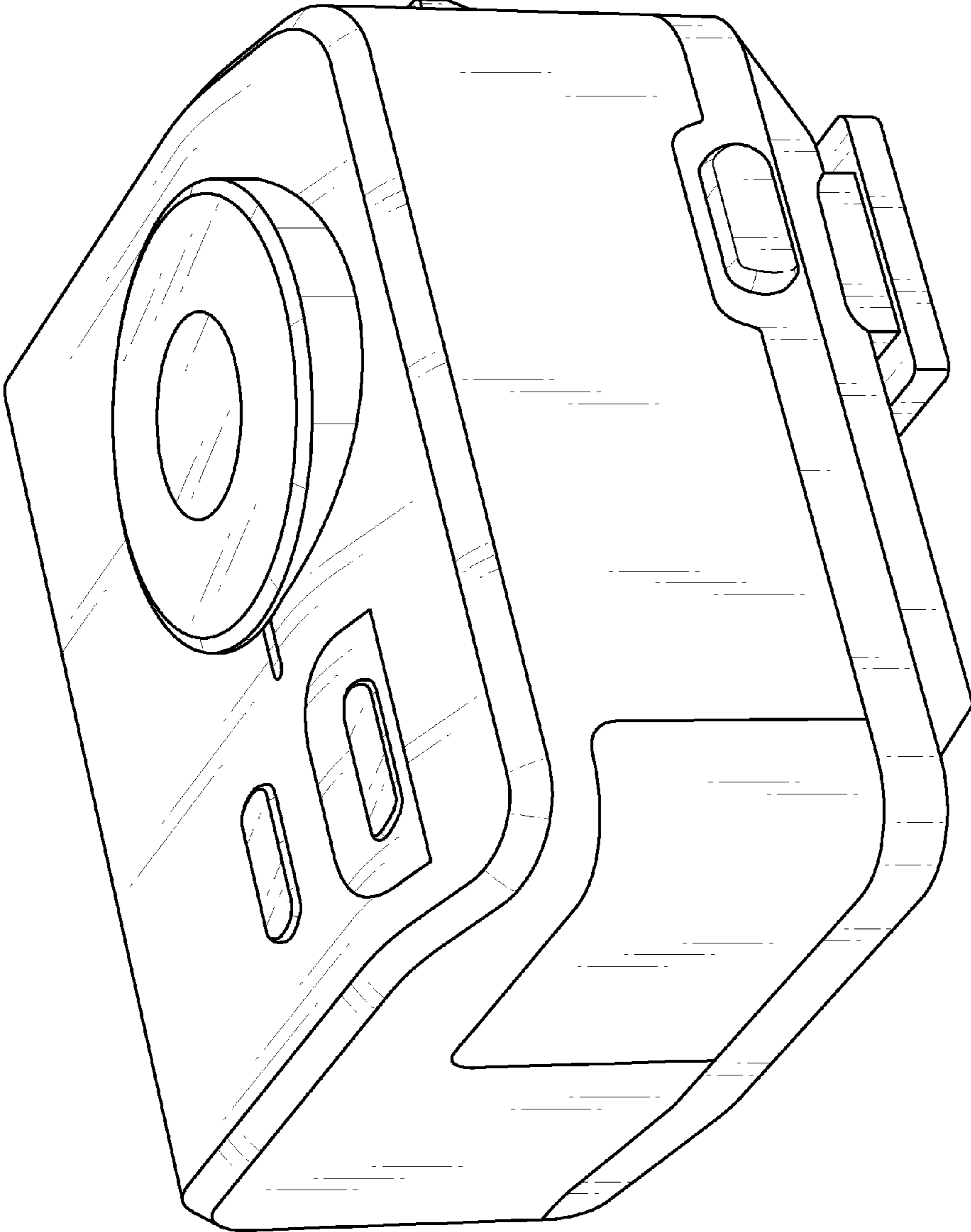


FIG.3

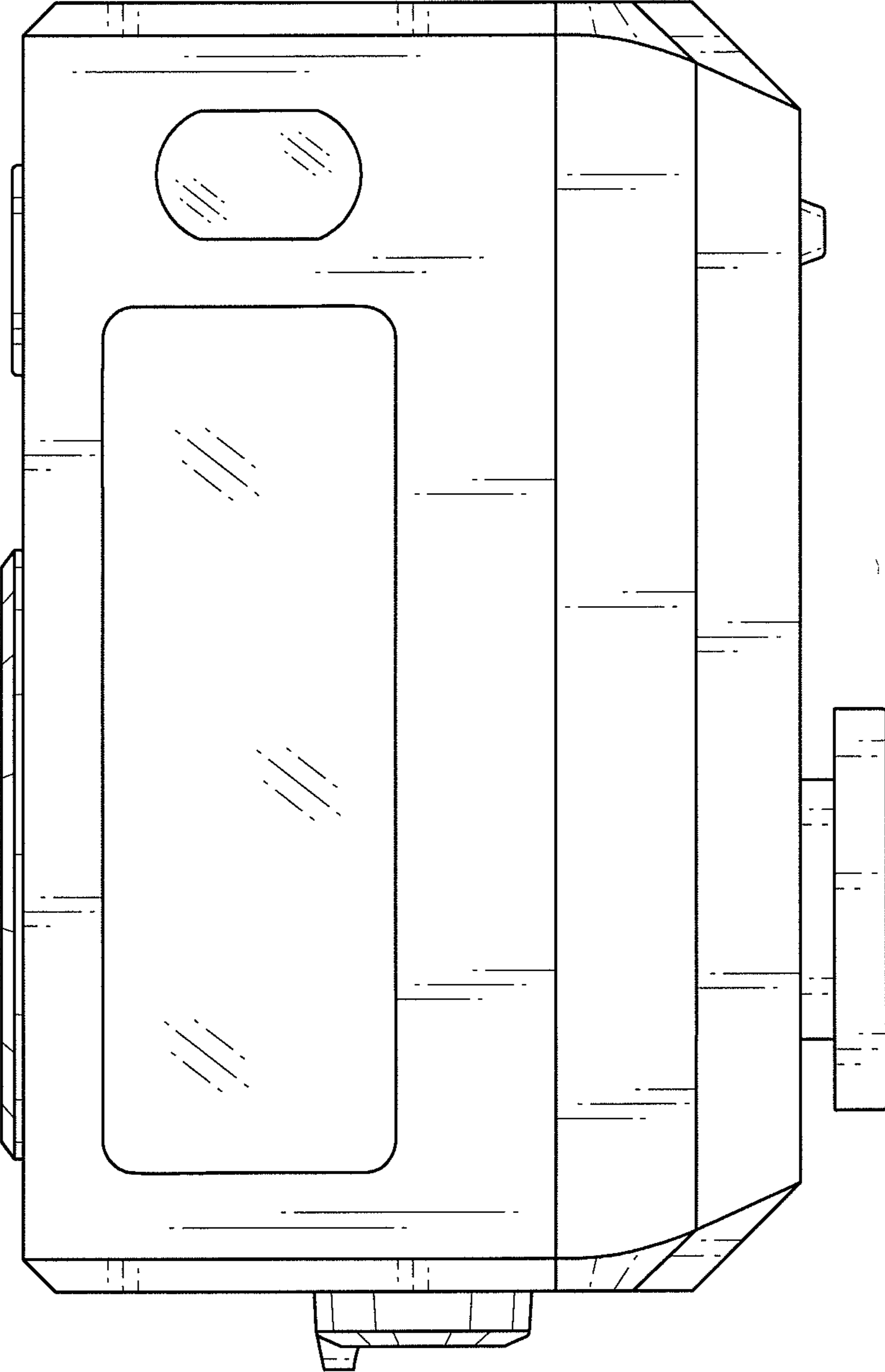


FIG.4

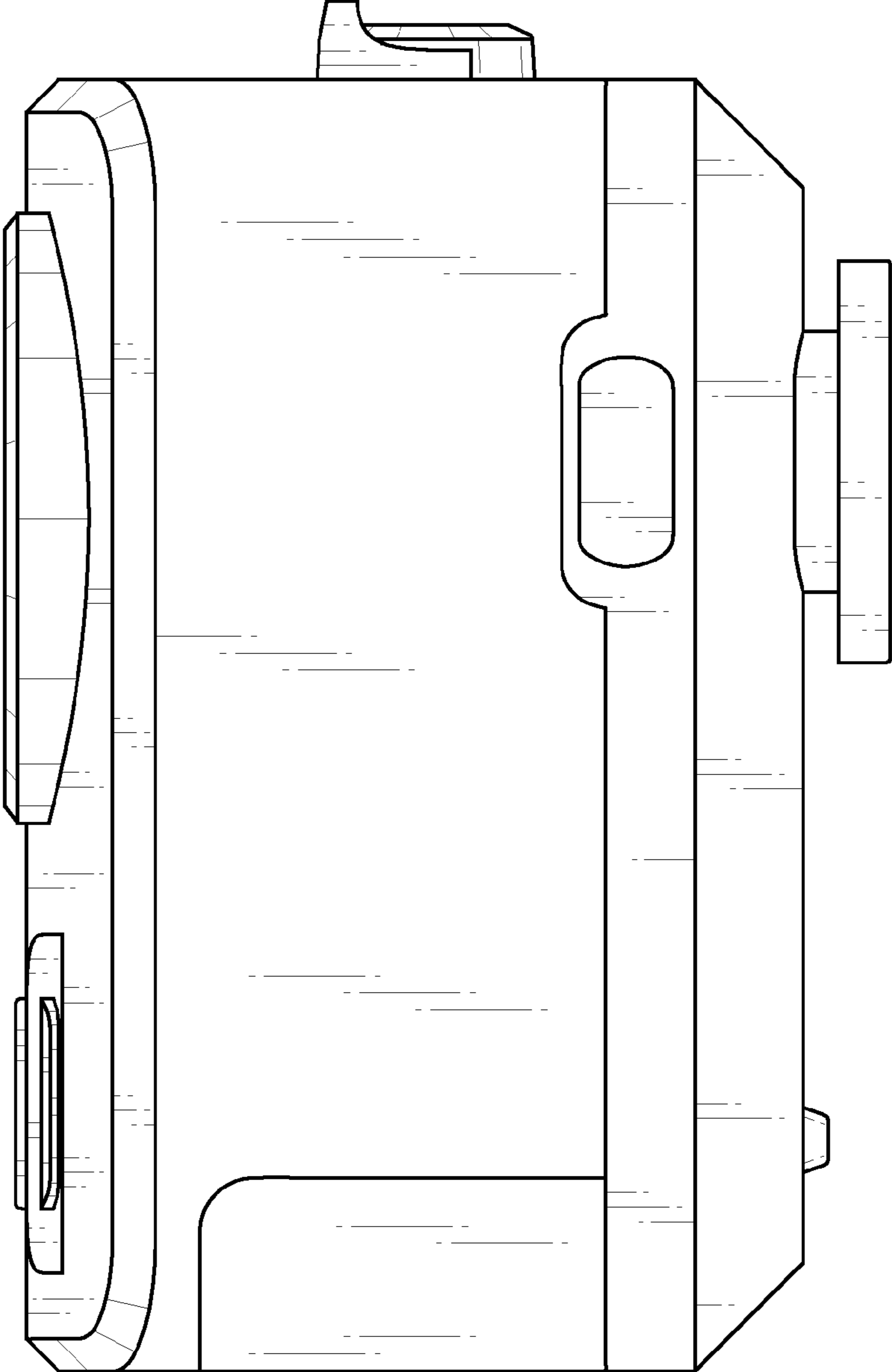


FIG. 5

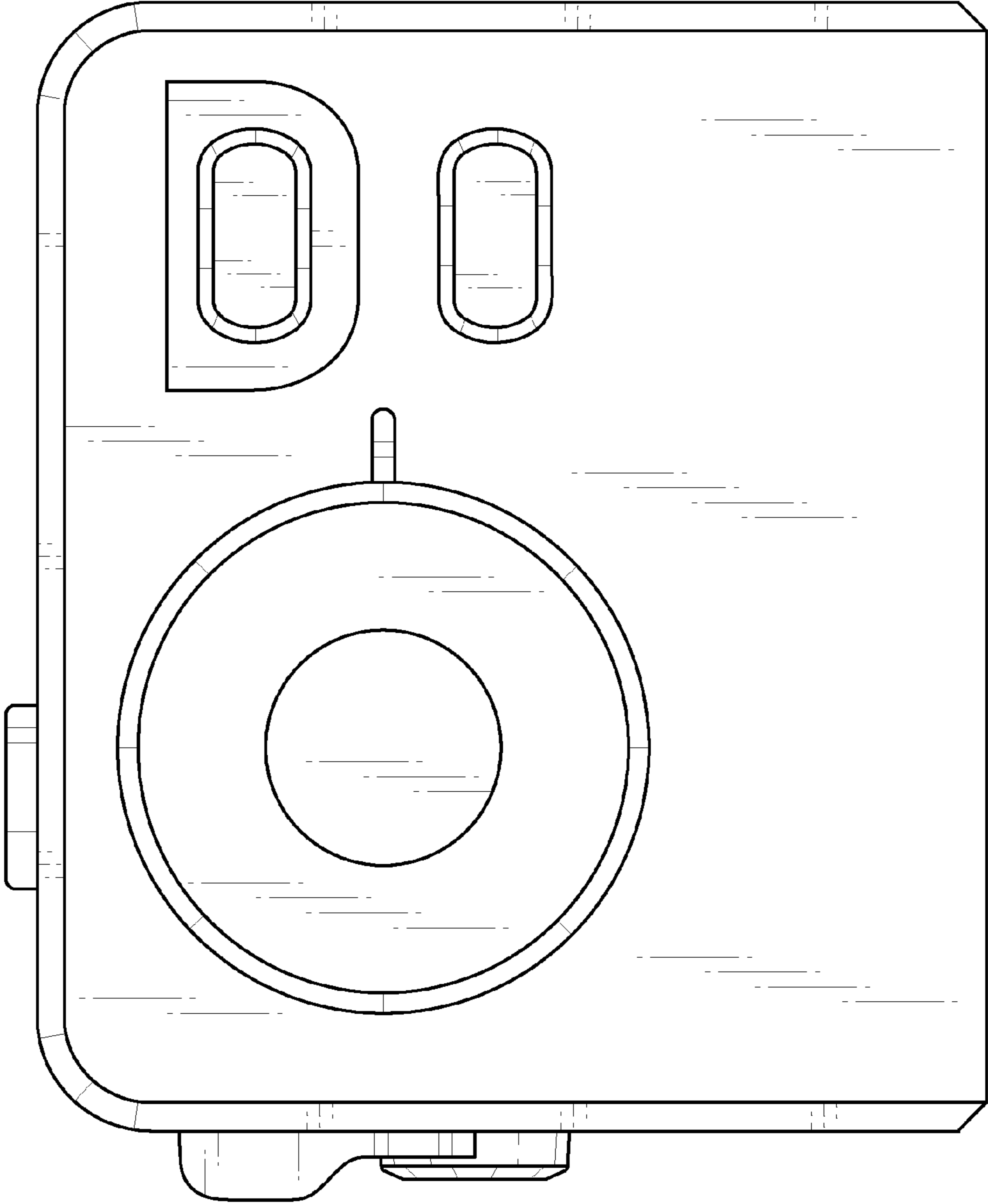


FIG. 6

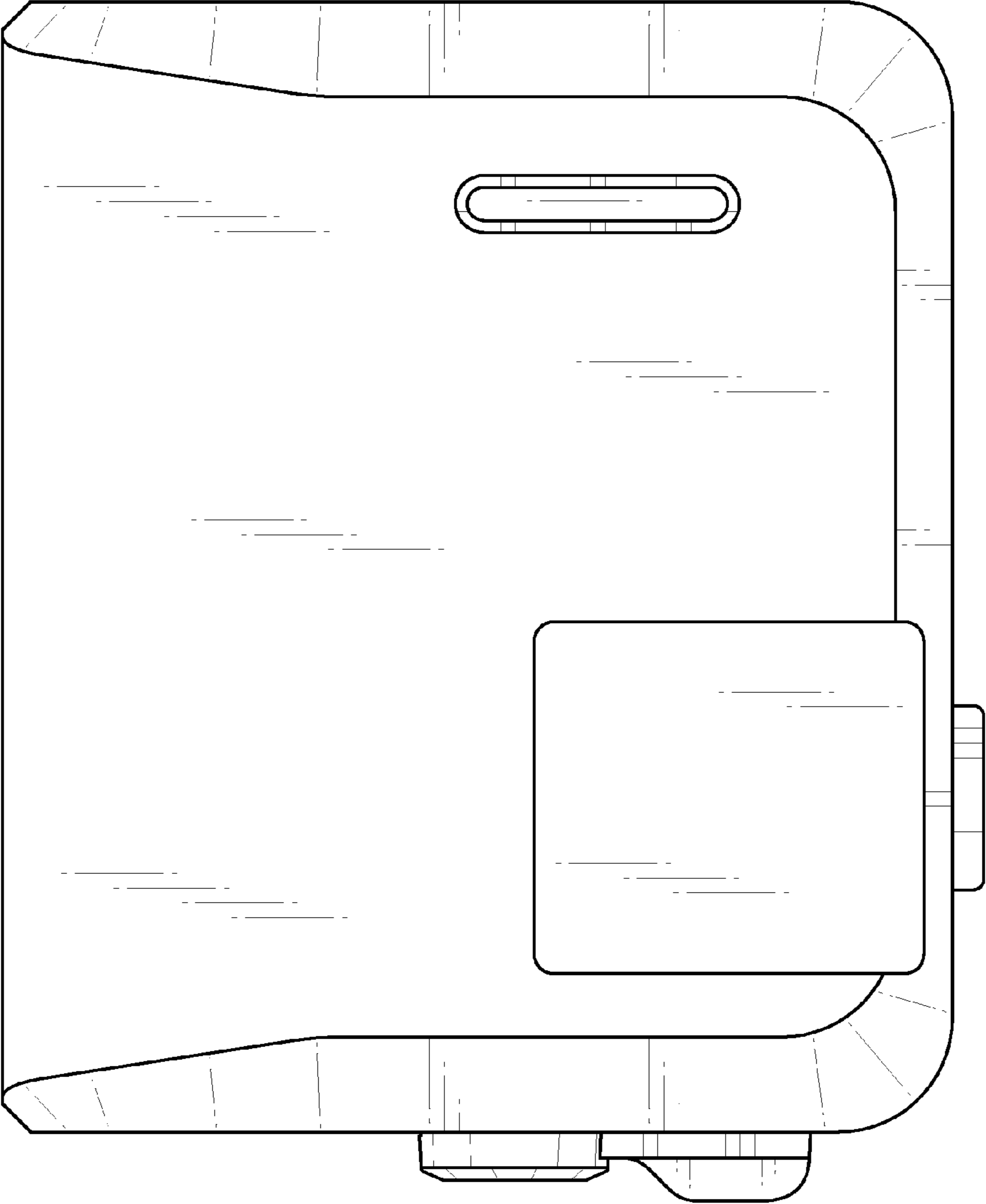


FIG. 7

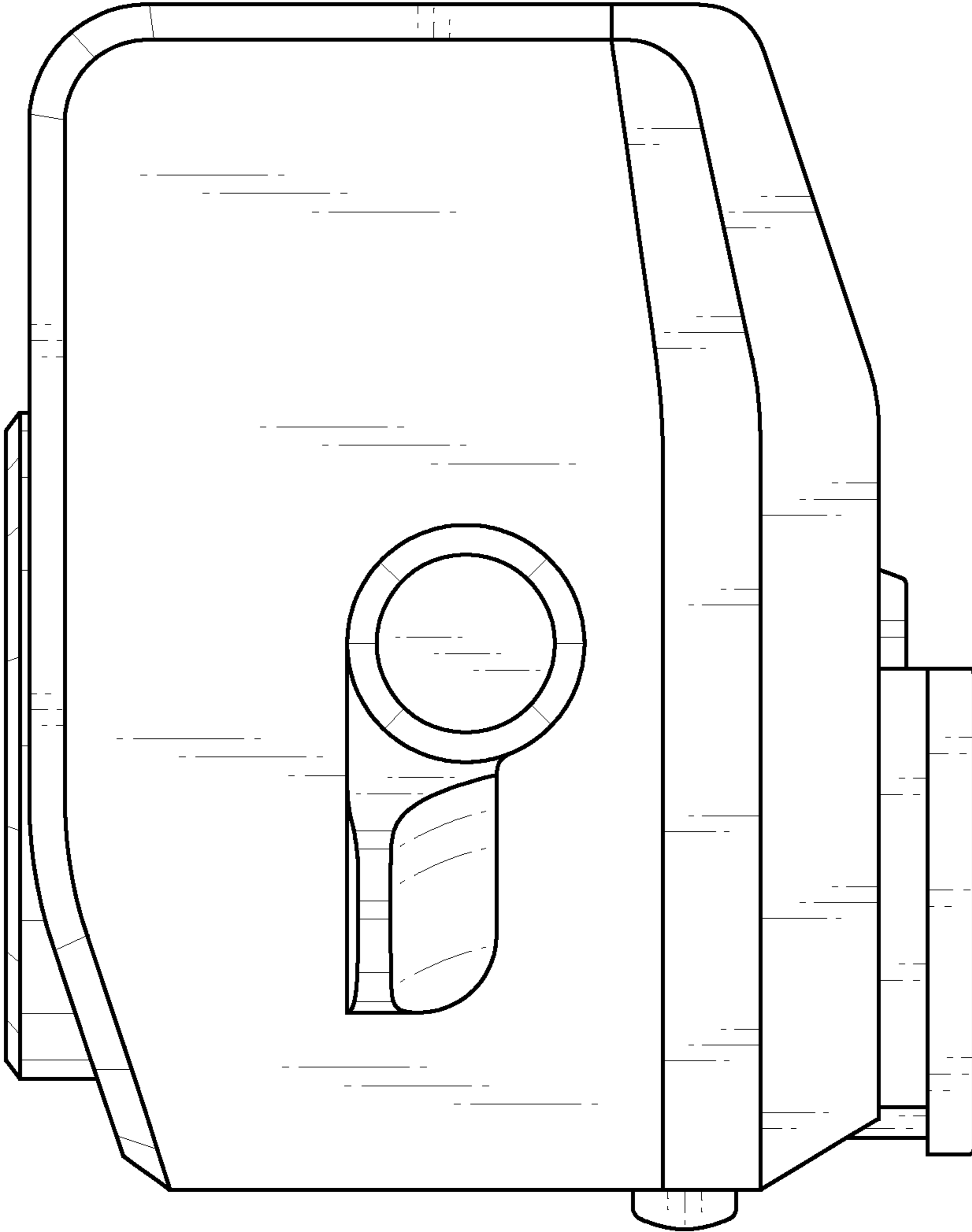


FIG.8

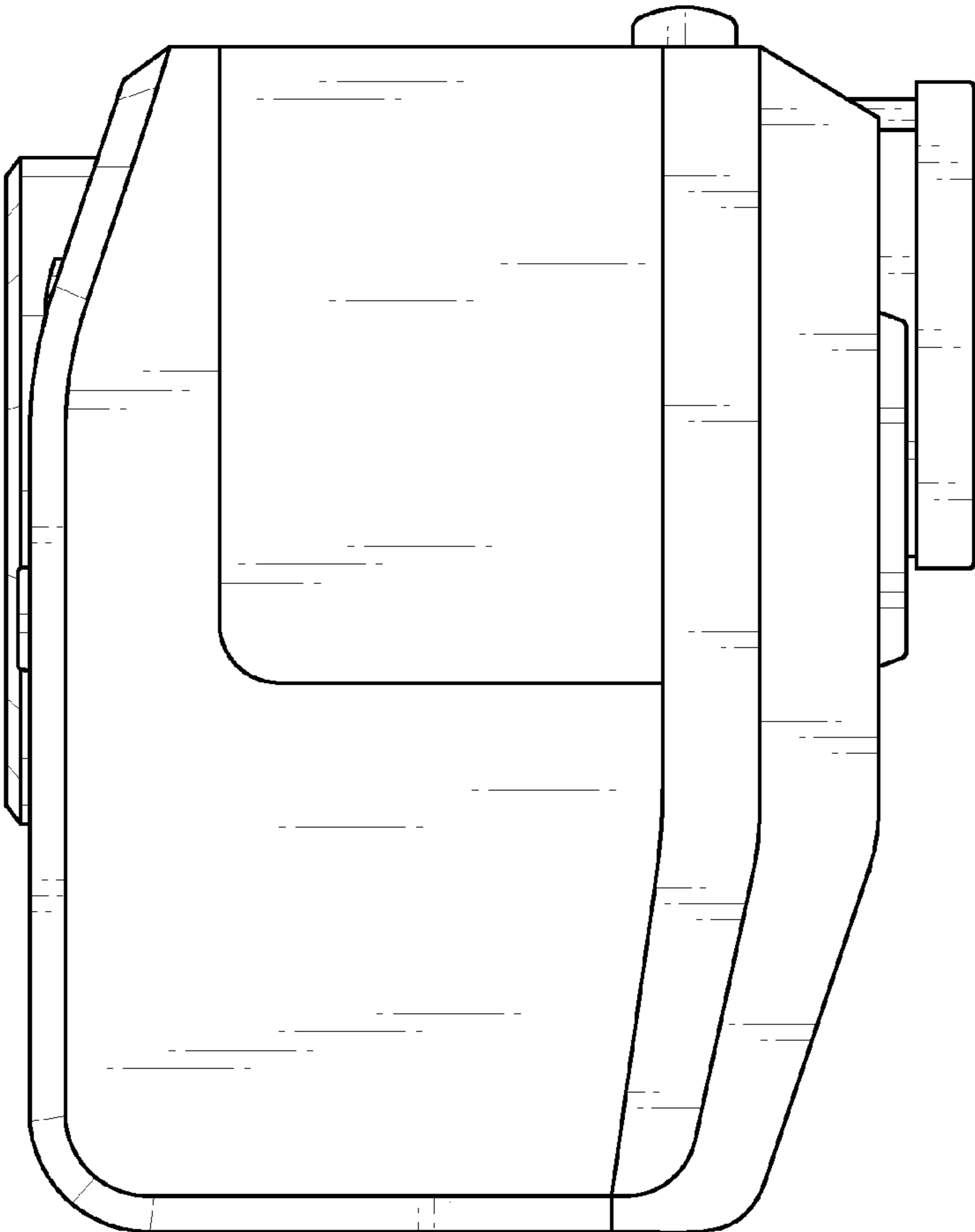


FIG. 9

