



US00D689537S

(12) **United States Design Patent**
Campbell et al.

(10) **Patent No.:** **US D689,537 S**

(45) **Date of Patent:** **** Sep. 10, 2013**

(54) **FLAT LENS CAMERA ASSEMBLY**

(75) Inventors: **Scott Patrick Campbell**, Belmont, CA (US); **Michael Demerjian**, Pacifica, CA (US); **Rudy Lucas Samuels**, Mill Valley, CA (US)

(73) Assignee: **Woodman Labs, Inc.**, San Mateo, CA (US)

(**) Term: **14 Years**

(21) Appl. No.: **29/405,506**

(22) Filed: **Nov. 2, 2011**

(51) **LOC (9) Cl.** **16-05**

(52) **U.S. Cl.**
USPC **D16/237**

(58) **Field of Classification Search**
USPC D16/219, 235, 237, 242–245, 250,
D16/200–204, 208; D14/217, 511; 248/176.1,
248/177.1, 178.1, 179.1, 180.1, 183.1, 187.1,
248/683; 348/373, 375; 396/419–420, 535;
D8/354, 394, 395

See application file for complete search history.

(56) **References Cited**

U.S. PATENT DOCUMENTS

D219,768 S *	1/1971	Conwill	D8/354
D243,655 S *	3/1977	Matousek et al.	D8/354
D272,392 S *	1/1984	Bigelow	D8/354
D418,044 S *	12/1999	Schoeneweis	D8/354
D437,772 S *	2/2001	Erwin	D8/354
D483,789 S *	12/2003	Dordick	D16/245
D511,960 S *	11/2005	Ogino	D8/354
D515,910 S *	2/2006	Gates et al.	D8/354
7,285,879 B2	10/2007	Osaka		
D559,083 S *	1/2008	Brassard	D8/354
D571,188 S *	6/2008	Brassard	D8/354
D591,325 S *	4/2009	Dordick	D16/242
D625,750 S *	10/2010	Dittmer	D16/235
D640,304 S *	6/2011	Green et al.	D16/242
D675,242 S *	1/2013	O'Donnell et al.	D16/242
2010/0060747 A1	3/2010	Woodman		

FOREIGN PATENT DOCUMENTS

DE 202005004068 U1 7/2005

OTHER PUBLICATIONS

PCT International Search Report and Written Opinion, PCT/US2012/063304, Jan. 22, 2013, 7 Pages.

* cited by examiner

Primary Examiner — Susan Bennett Hattan

Assistant Examiner — Vy Koenig

(74) *Attorney, Agent, or Firm* — Fenwick & West LLP

(57) **CLAIM**

The ornamental design for a flat lens camera assembly, as shown and described.

DESCRIPTION

This application is related to U.S. Patent Application No. 13/666,807, filed Nov. 1, 2012, which claims priority to U.S. Patent Application No. 61/554,925, filed Nov. 2, 2011, each of which are incorporated by reference herein in their entirety. FIG. (Figure) 1 is a front top left perspective view of a flat lens camera assembly;

FIG. 2 is a front view thereof;

FIG. 3 is a front top right perspective view thereof;

FIG. 4 is a front bottom left perspective view thereof;

FIG. 5 is a back bottom right perspective view thereof;

FIG. 6 is a back top left perspective view thereof;

FIG. 7 is a back bottom left perspective view thereof;

FIG. 8 is a back view thereof;

FIG. 9 is a top view thereof;

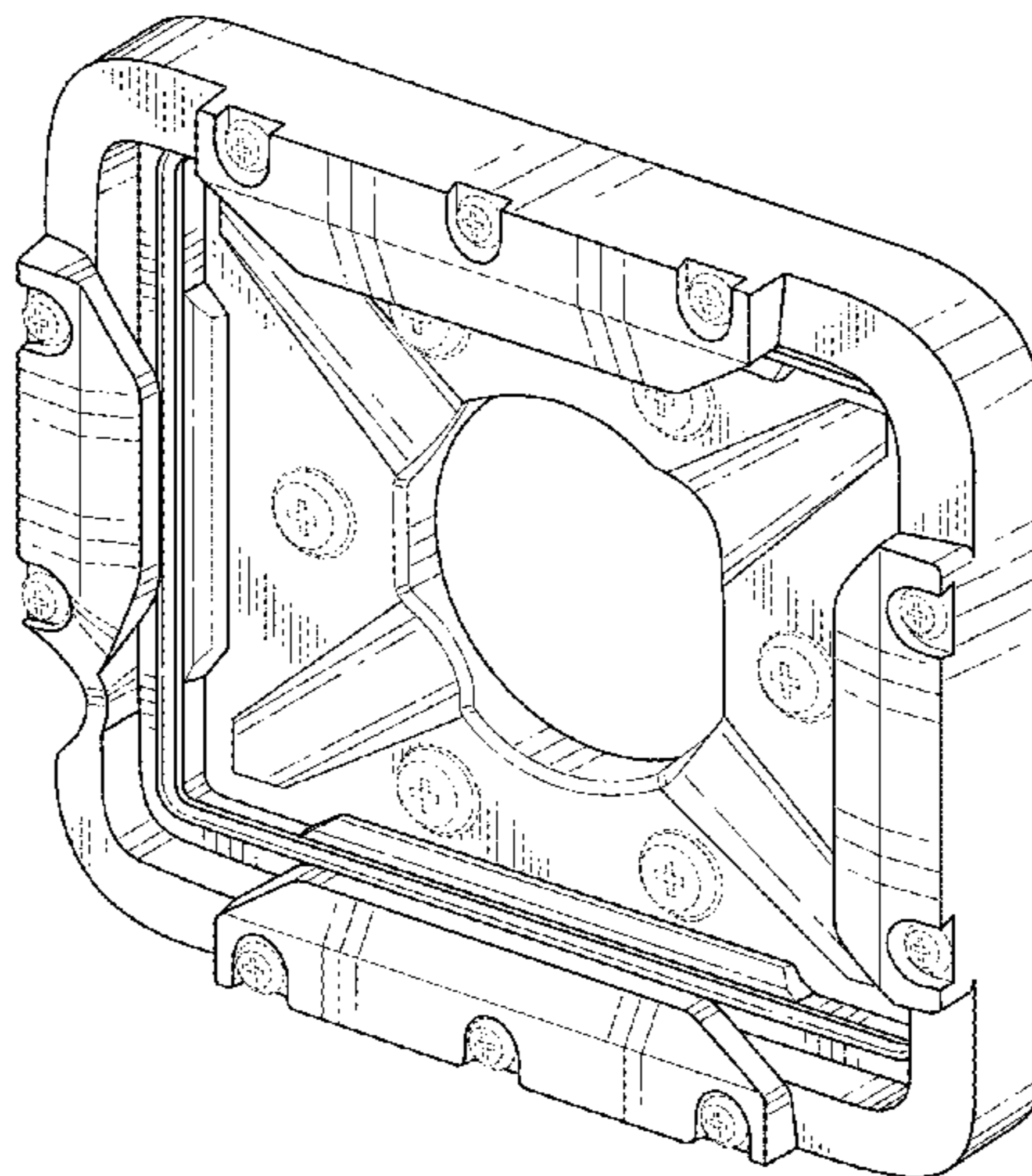
FIG. 10 is a bottom view thereof;

FIG. 11 is a left view thereof; and,

FIG. 12 is a right view thereof.

The broken lines shown in the drawings depict environmental features that form no part of the claimed design.

1 Claim, 12 Drawing Sheets



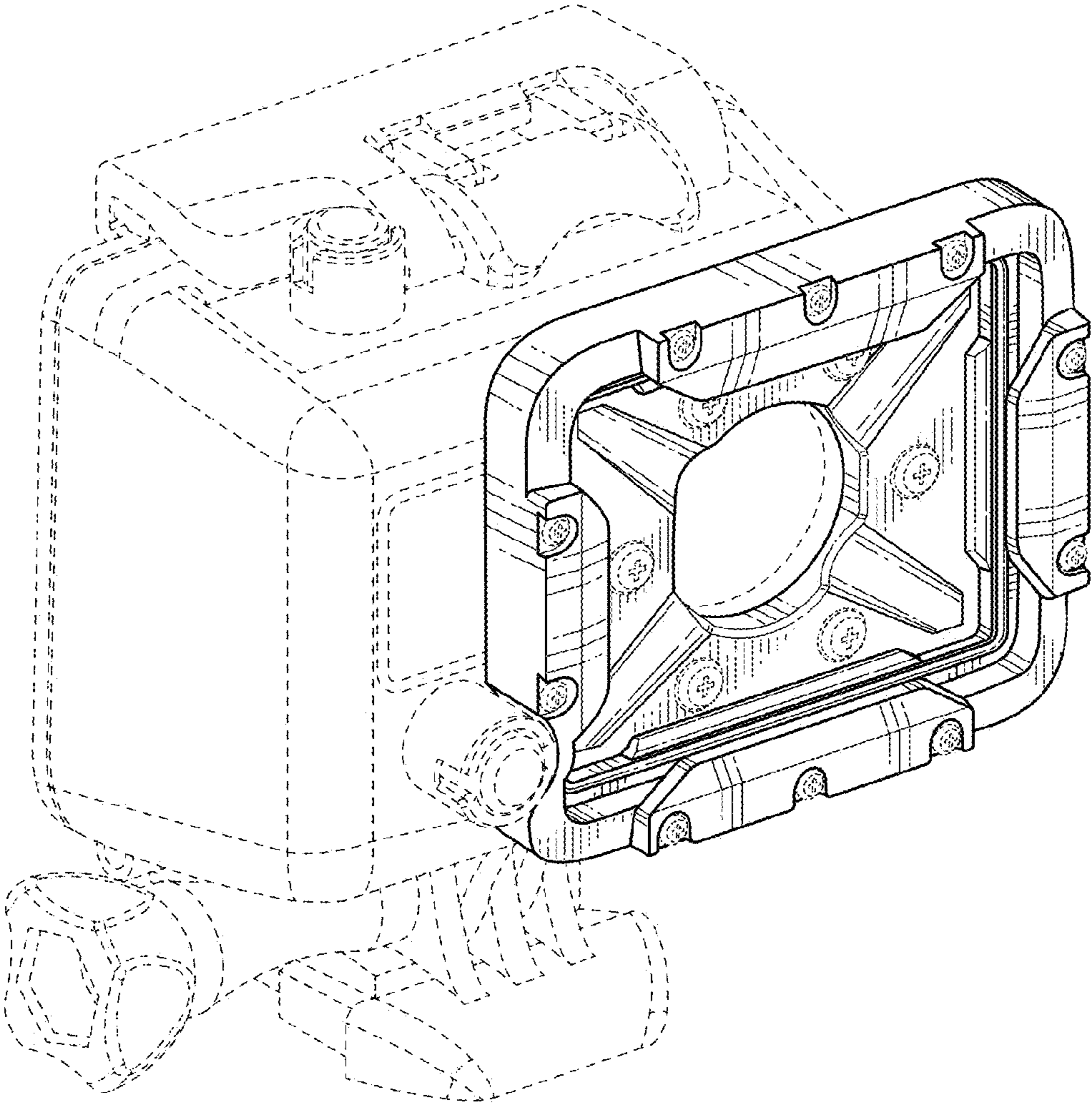


FIG. 1

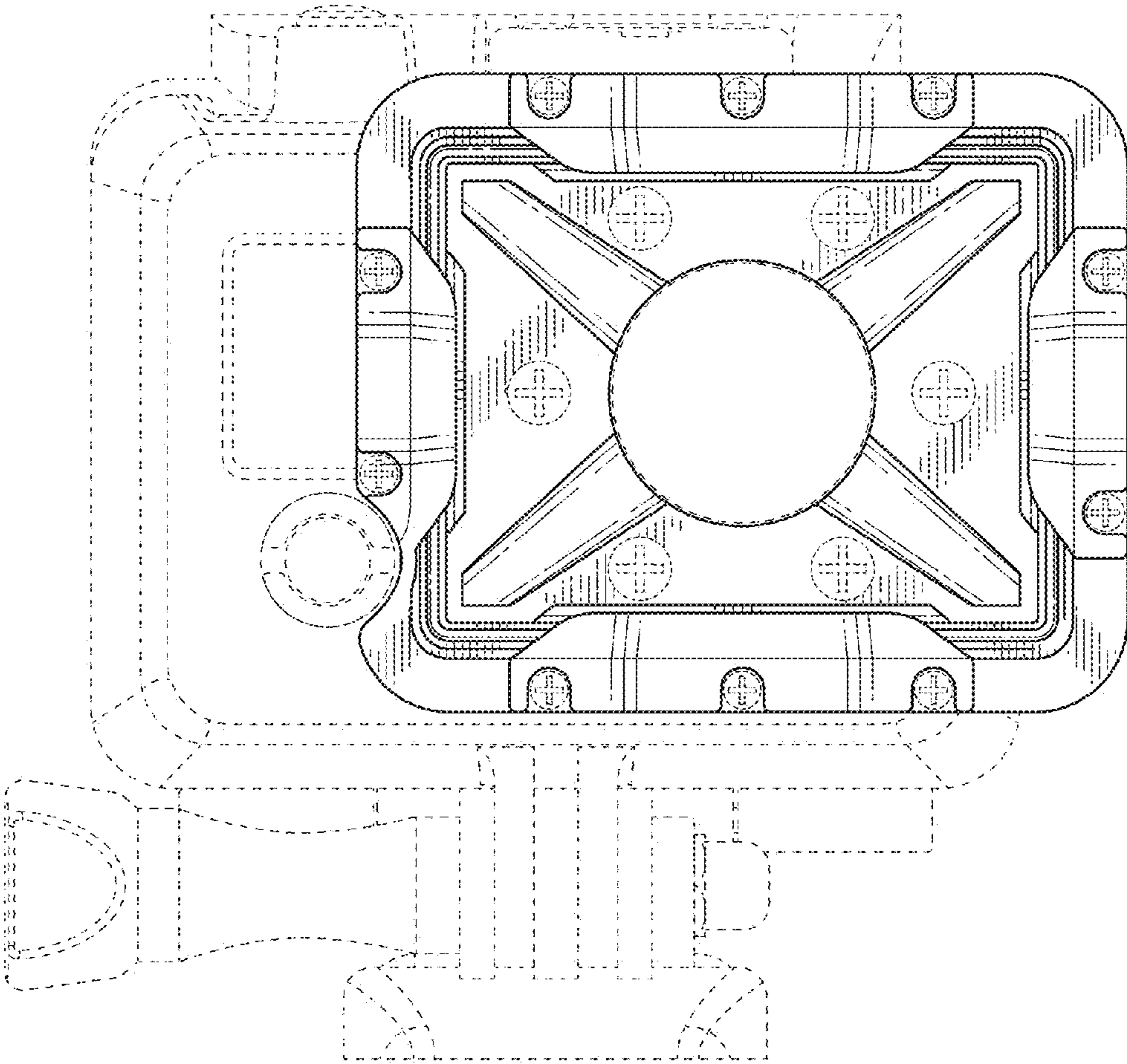


FIG. 2

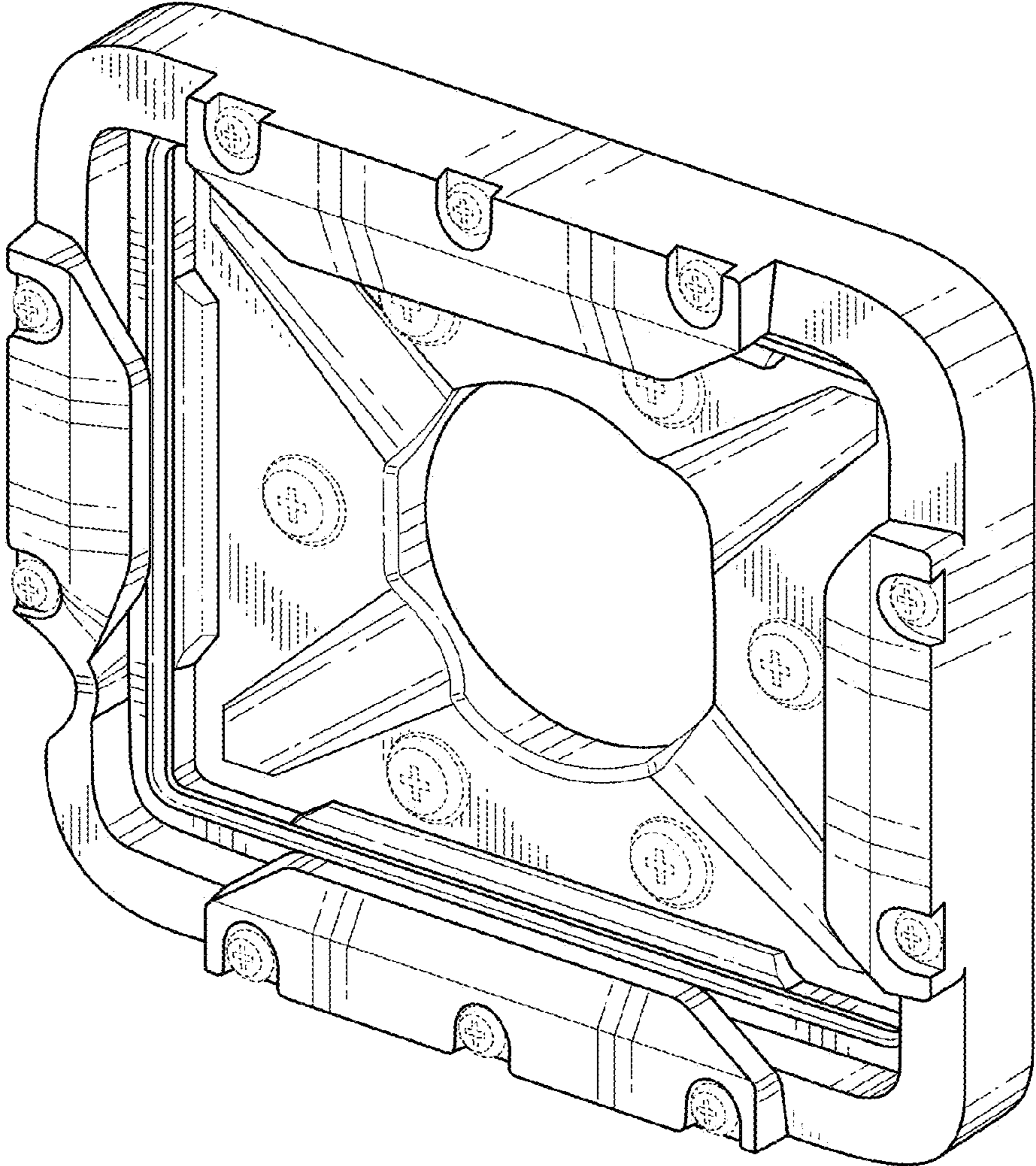


FIG. 3

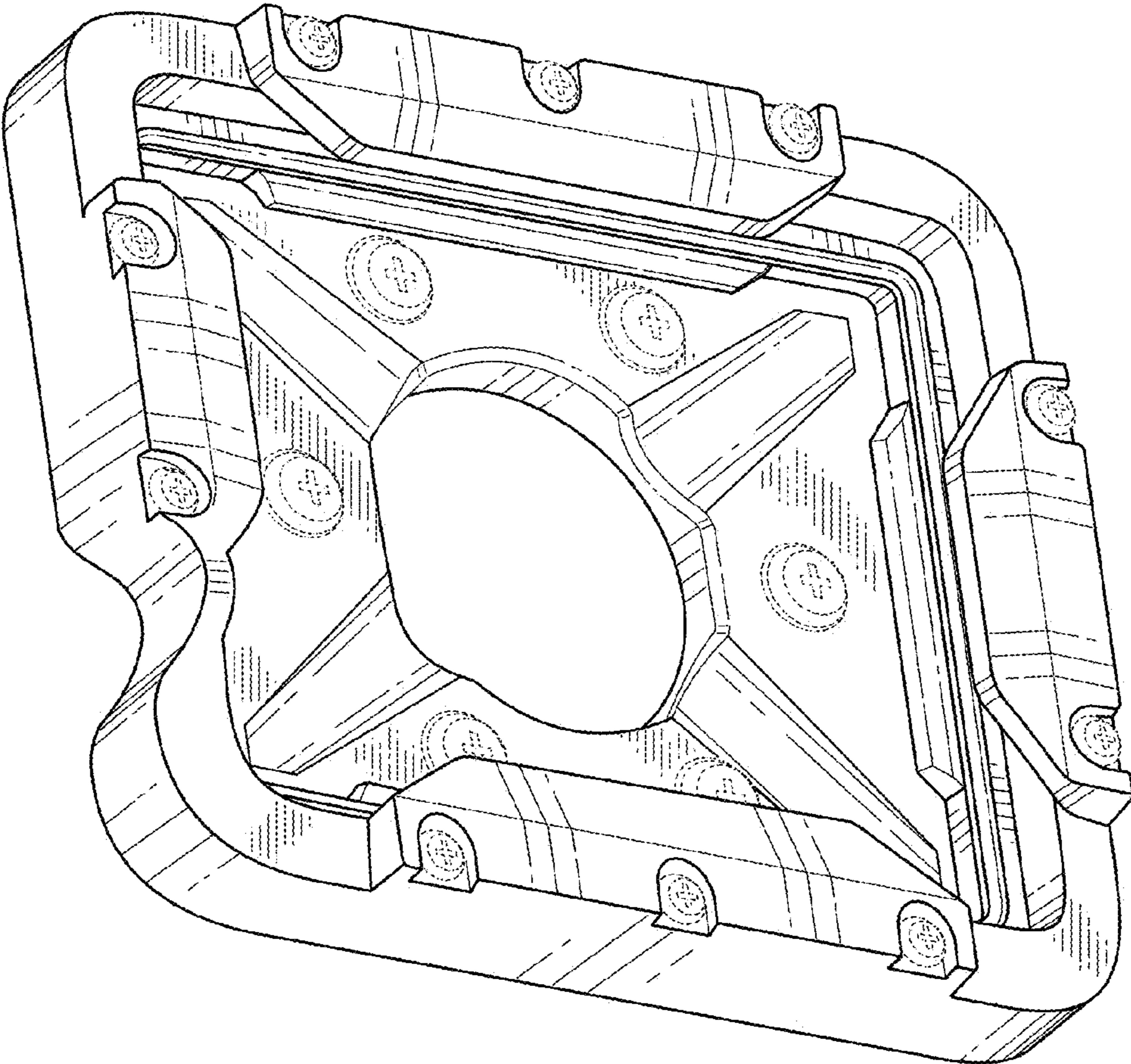


FIG. 4

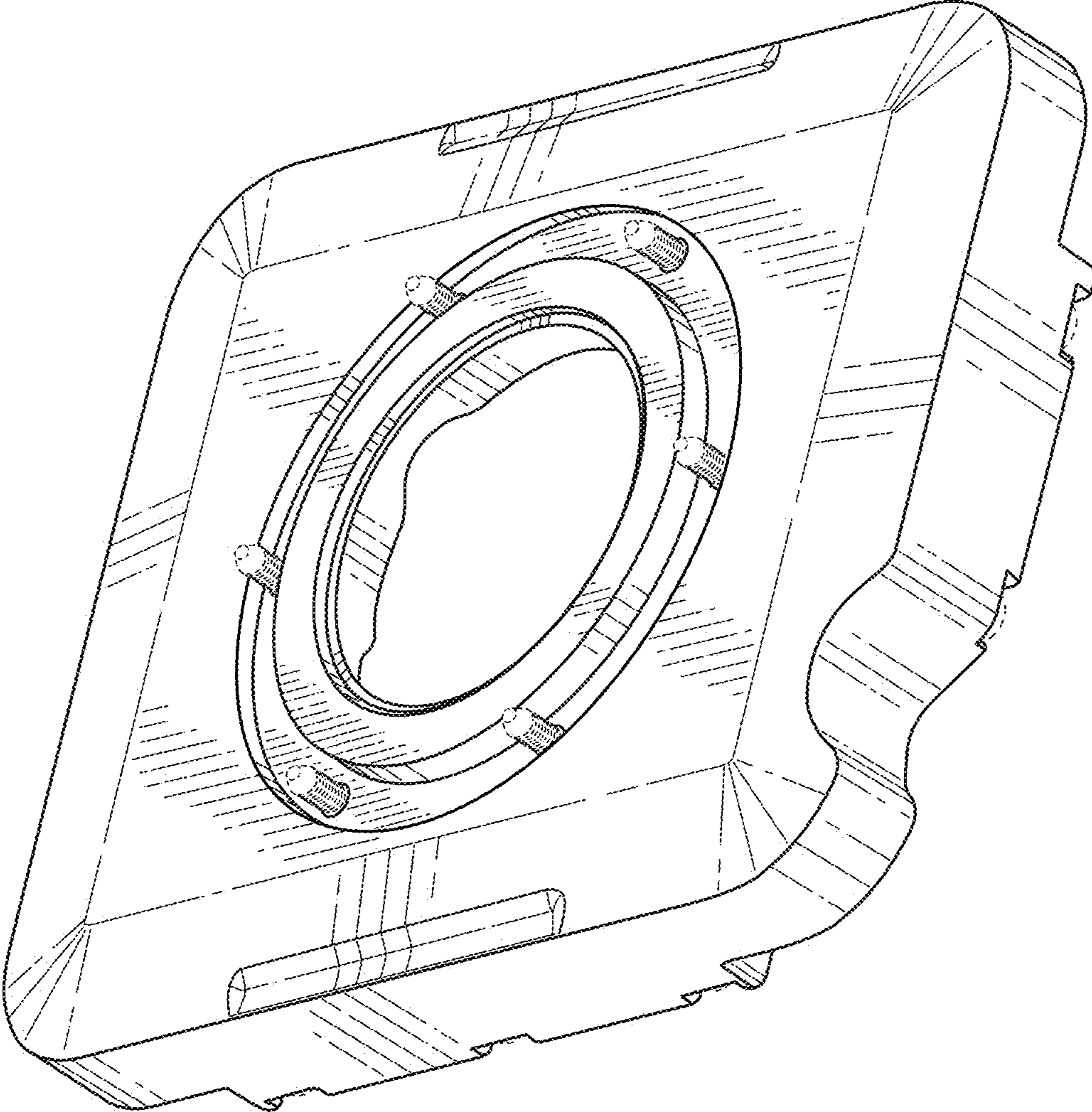


FIG. 5

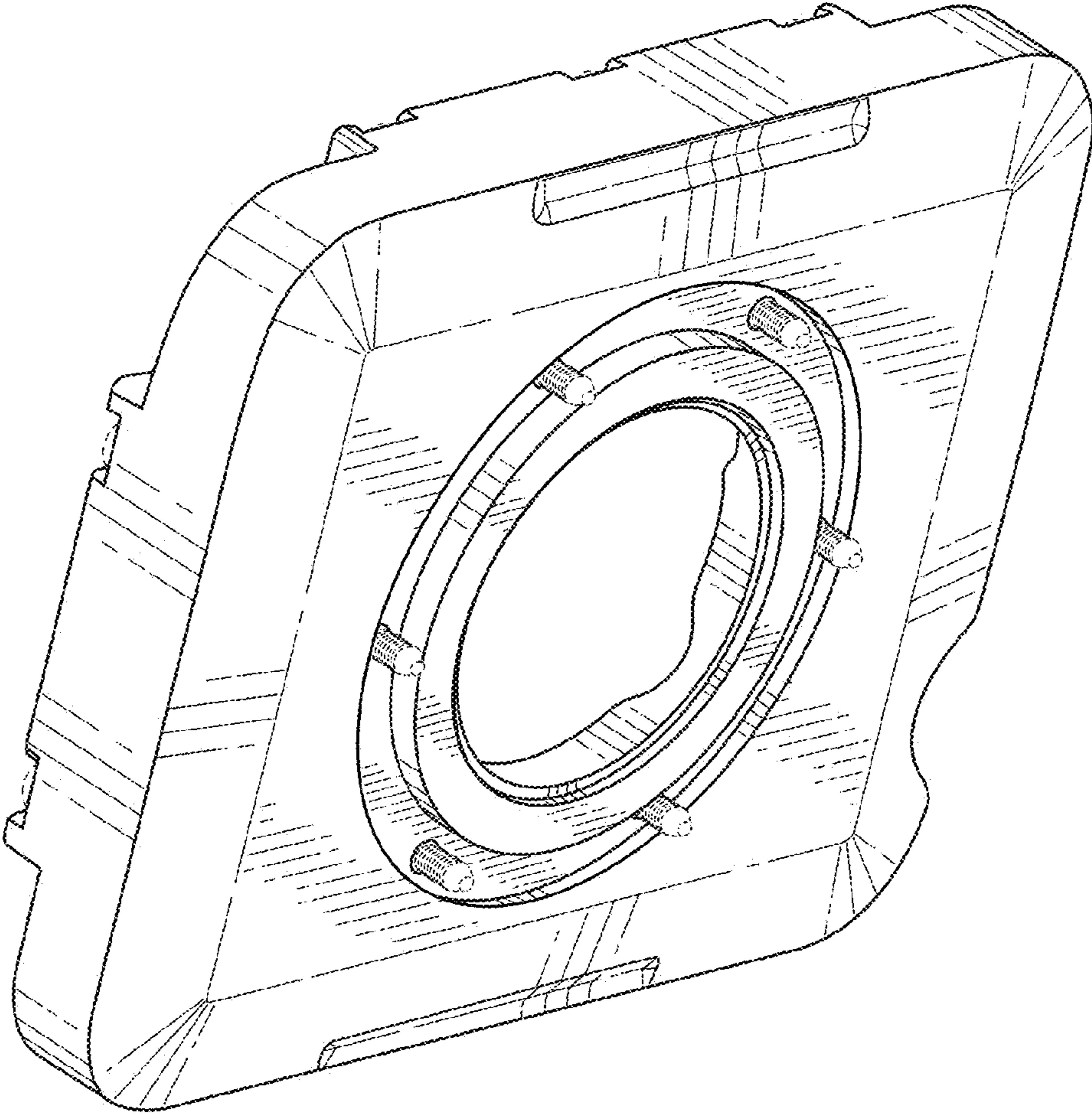


FIG. 6

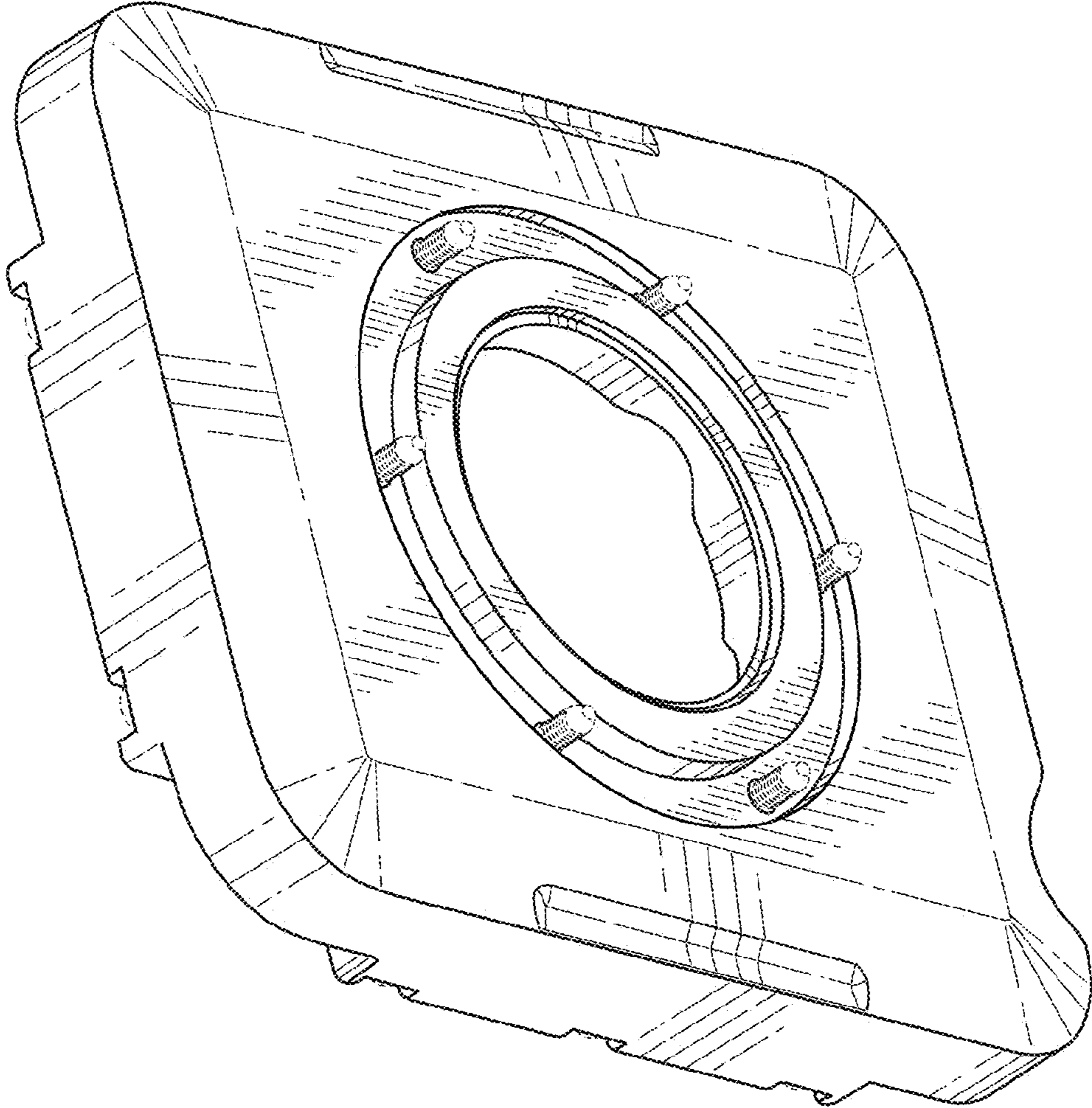


FIG. 7

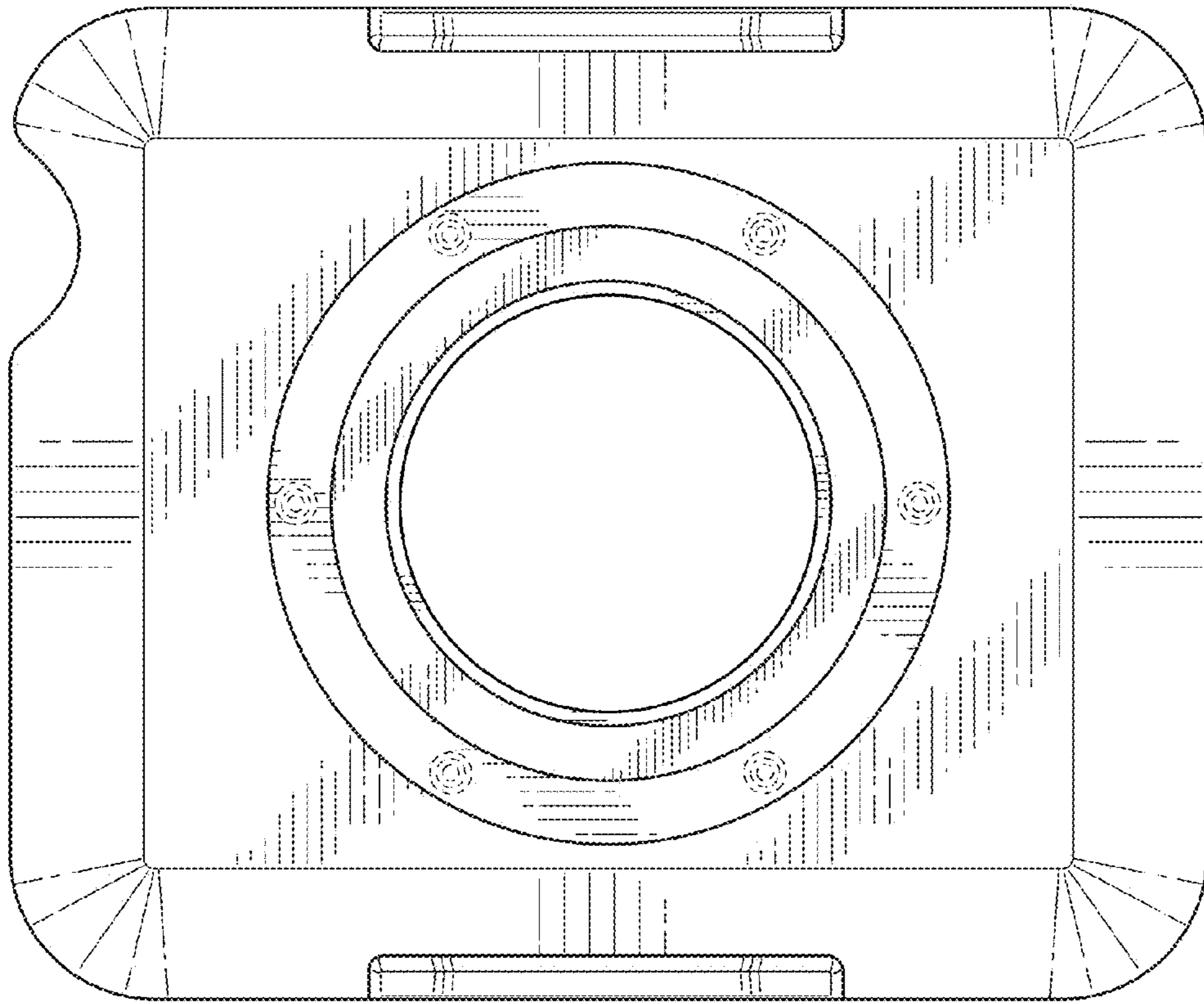


FIG. 8

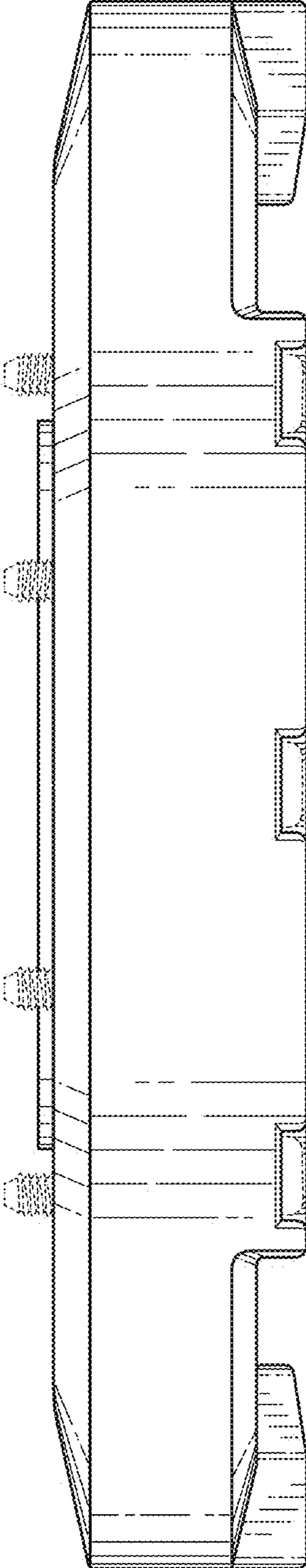


FIG. 9

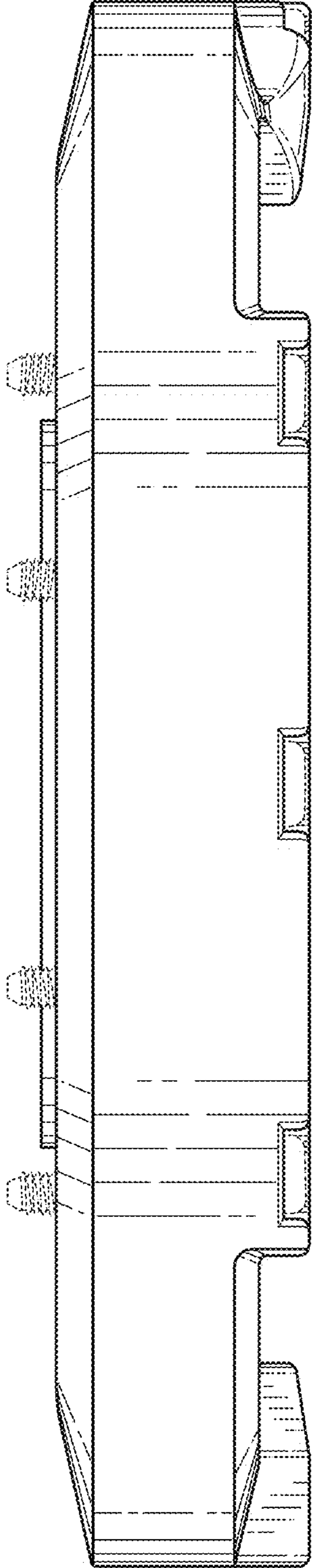


FIG. 10

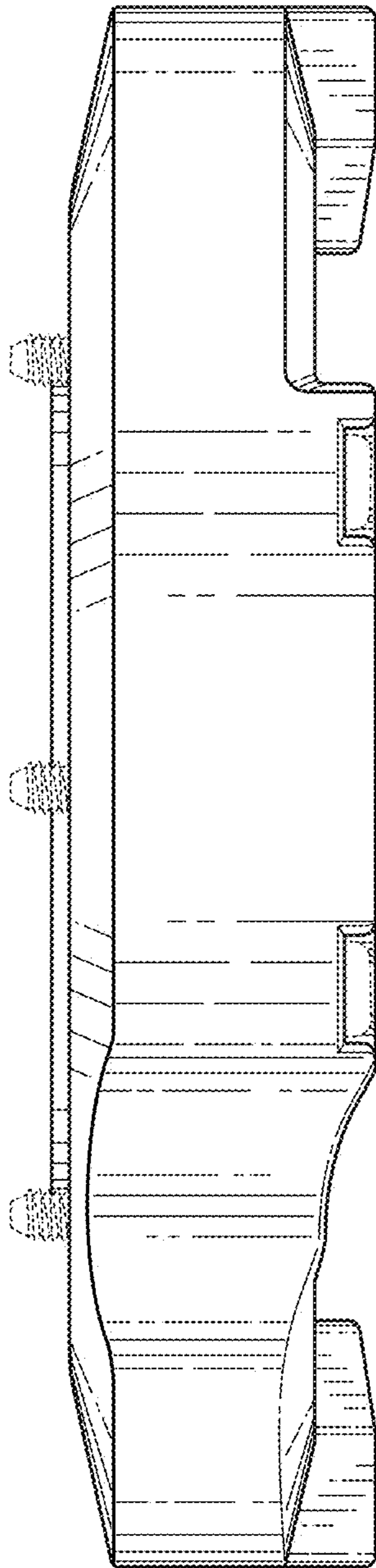


FIG. 11

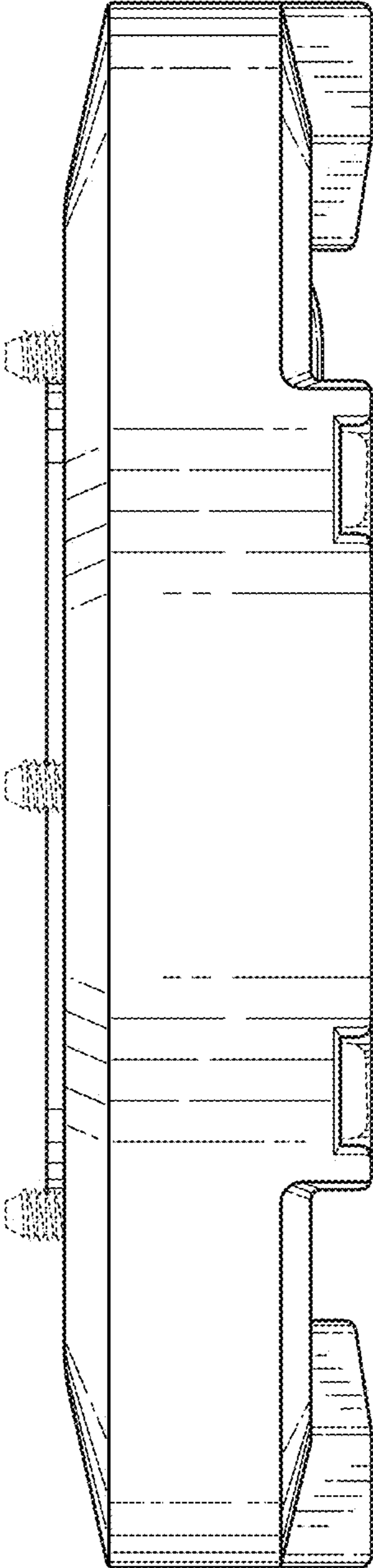


FIG. 12