



US00D689536S

(12) **United States Design Patent**  
**Li et al.**

(10) **Patent No.:** **US D689,536 S**  
(45) **Date of Patent:** **\*\* Sep. 10, 2013**

- (54) **NETWORK CAMERA**
- (75) Inventors: **Tsung-Hsi Li**, Taoyuan (TW); **Shu-Yun Huang**, Taoyuan (TW)
- (73) Assignee: **Ingrasys Technology Inc.**, Taoyuan (TW)
- (\*\*) Term: **14 Years**
- (21) Appl. No.: **29/428,086**
- (22) Filed: **Jul. 25, 2012**
- (51) **LOC (9) Cl.** ..... **16-01**
- (52) **U.S. Cl.**  
USPC ..... **D16/218; D16/203**
- (58) **Field of Classification Search**  
USPC ..... D16/200, 202, 203, 218; 348/143,  
348/151, 373-376; 396/427, 535-541  
See application file for complete search history.

- D629,436 S \* 12/2010 Cheng et al. .... D16/203
- D643,455 S \* 8/2011 Raa et al. .... D16/203
- D676,887 S \* 2/2013 Nakashima et al. .... D16/203
- D679,309 S \* 4/2013 Park et al. .... D16/218

\* cited by examiner

*Primary Examiner* — Adir Aronovich

(74) *Attorney, Agent, or Firm* — Altis Law Group, Inc.

(57) **CLAIM**

The ornamental design for a network camera, as shown and described.

**DESCRIPTION**

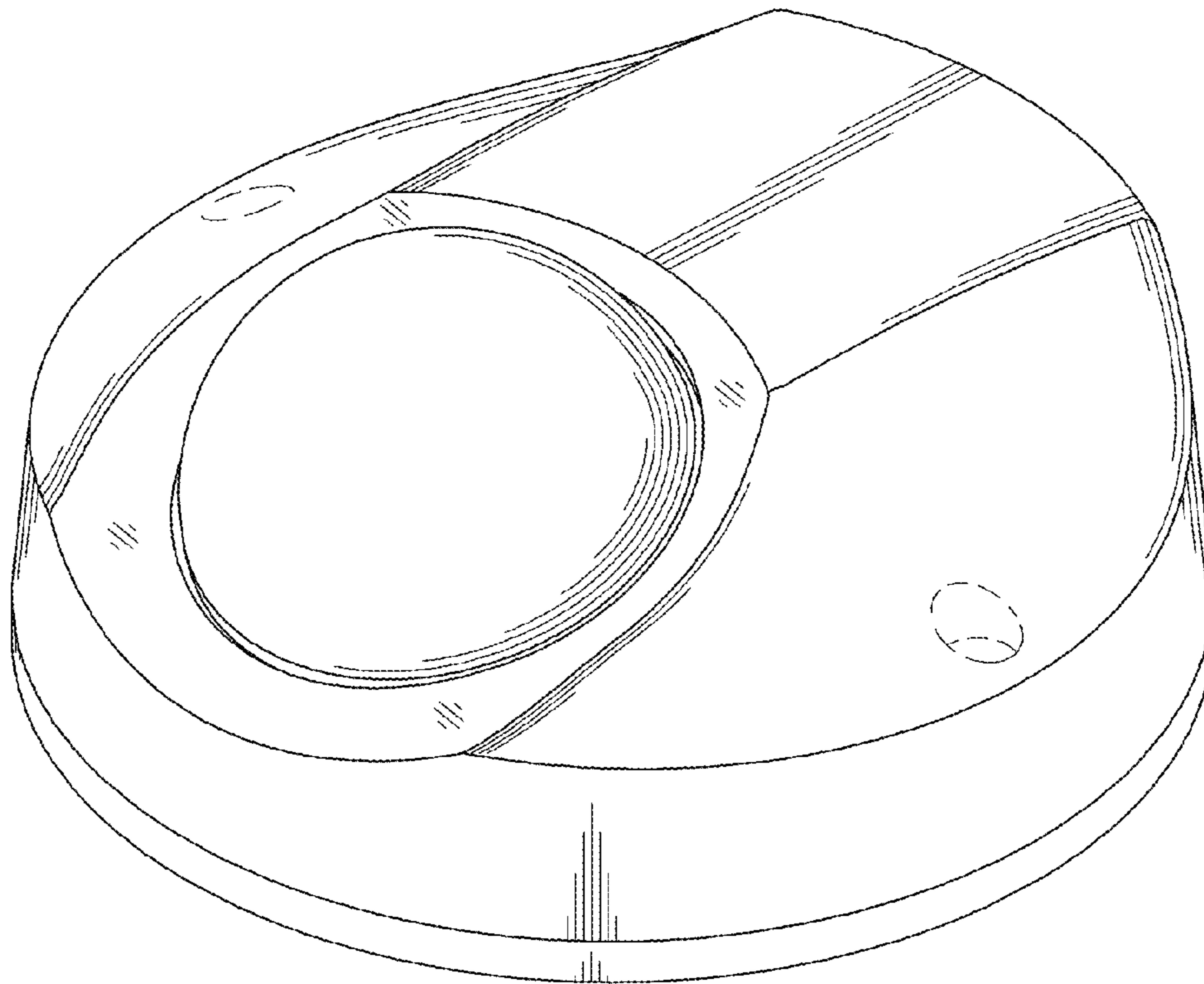
FIG. 1 is a perspective view of a network camera of our design;  
 FIG. 2 is a front elevational view thereof;  
 FIG. 3 is a rear elevational view thereof;  
 FIG. 4 is a left side elevational view thereof;  
 FIG. 5 is a right side elevational view thereof;  
 FIG. 6 is a top plan view thereof; and,  
 FIG. 7 is a bottom plan view thereof.  
 The broken lines in the drawings are directed to environmental structures and are for illustrative purposes only, and form no part of the claimed design.

(56) **References Cited**

U.S. PATENT DOCUMENTS

- D547,347 S \* 7/2007 Kim ..... D16/203
- D561,220 S \* 2/2008 Alm et al. .... D16/203
- 7,425,101 B2 \* 9/2008 Cheng ..... 396/427
- D581,961 S \* 12/2008 Shioya ..... D16/218

**1 Claim, 7 Drawing Sheets**



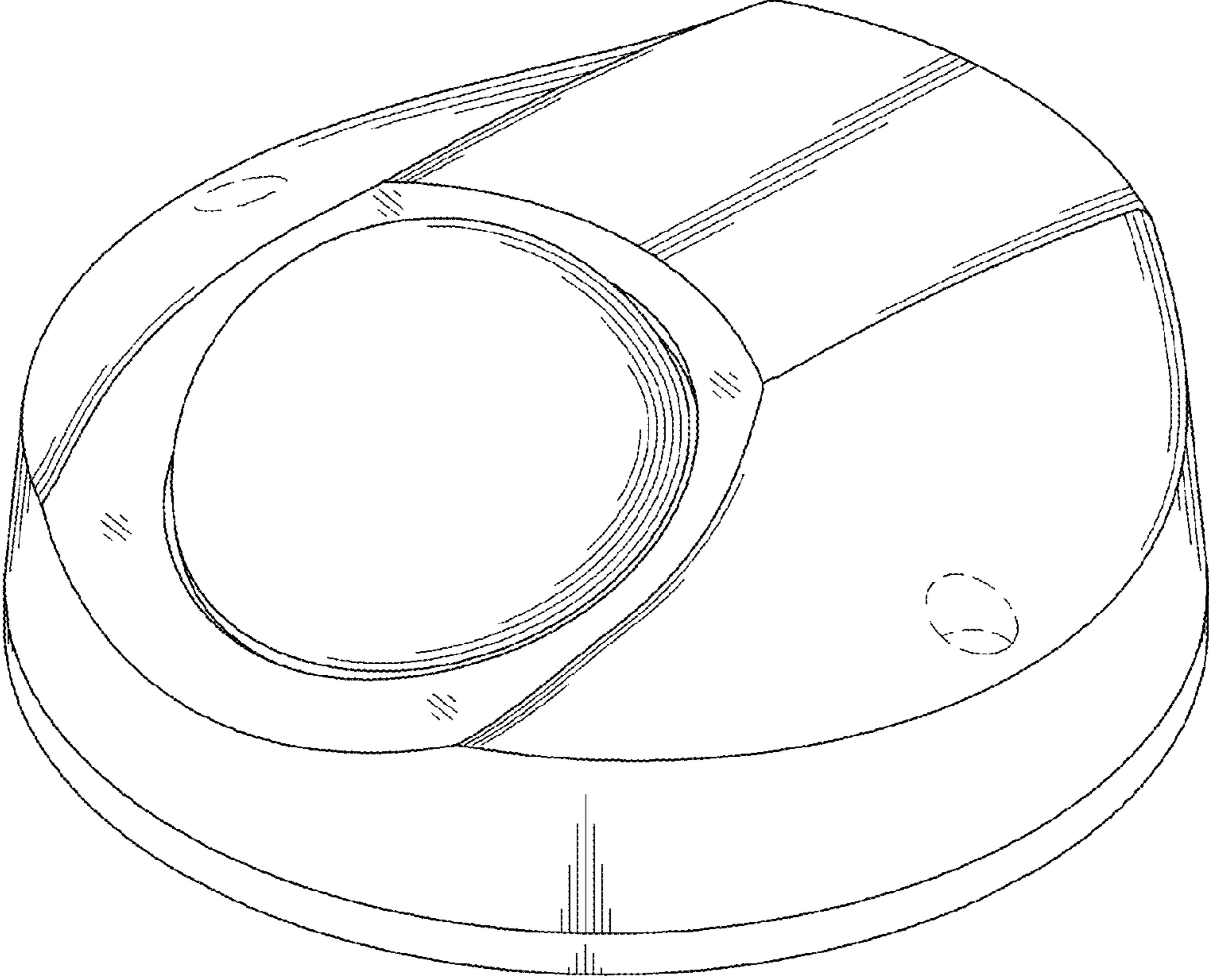


FIG. 1

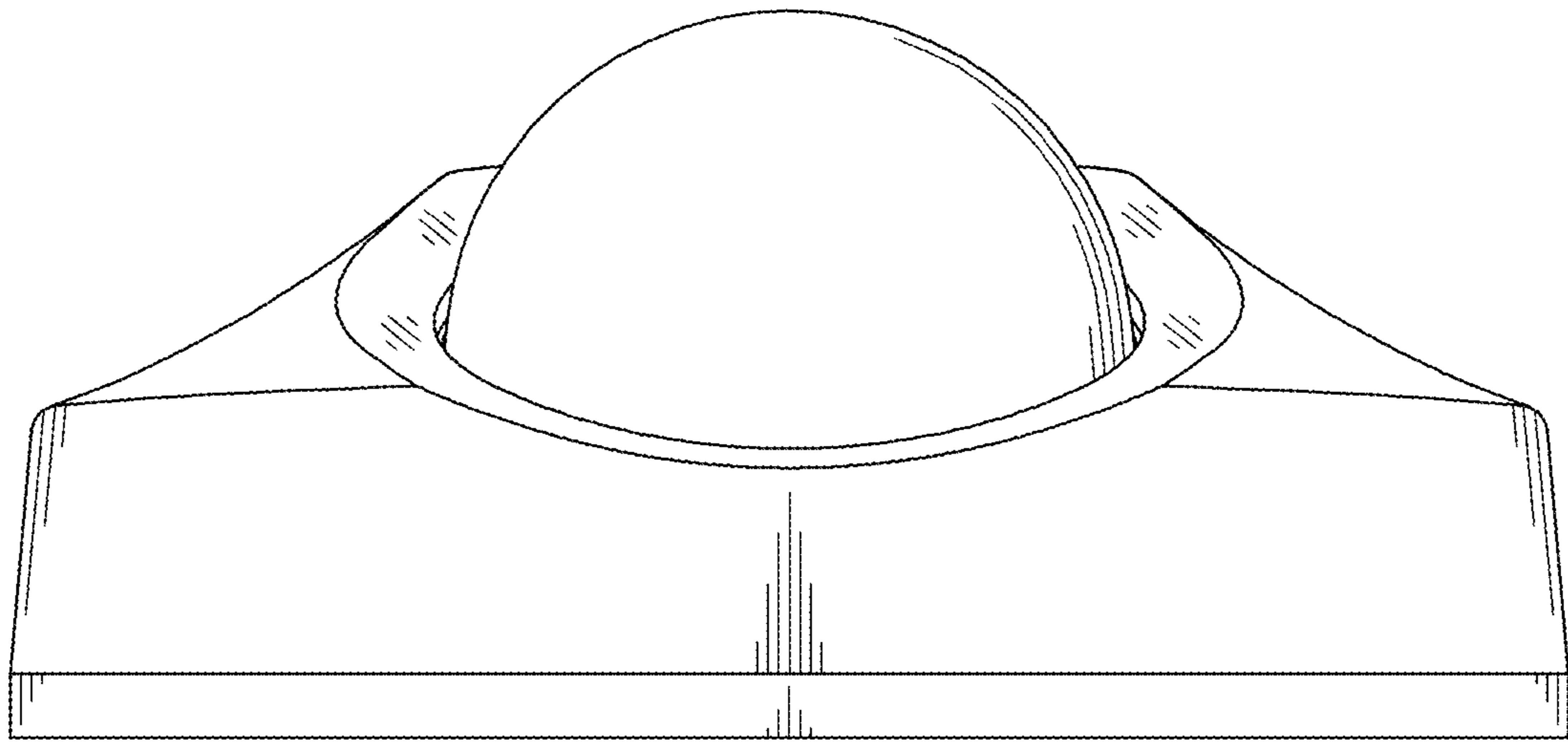


FIG. 2

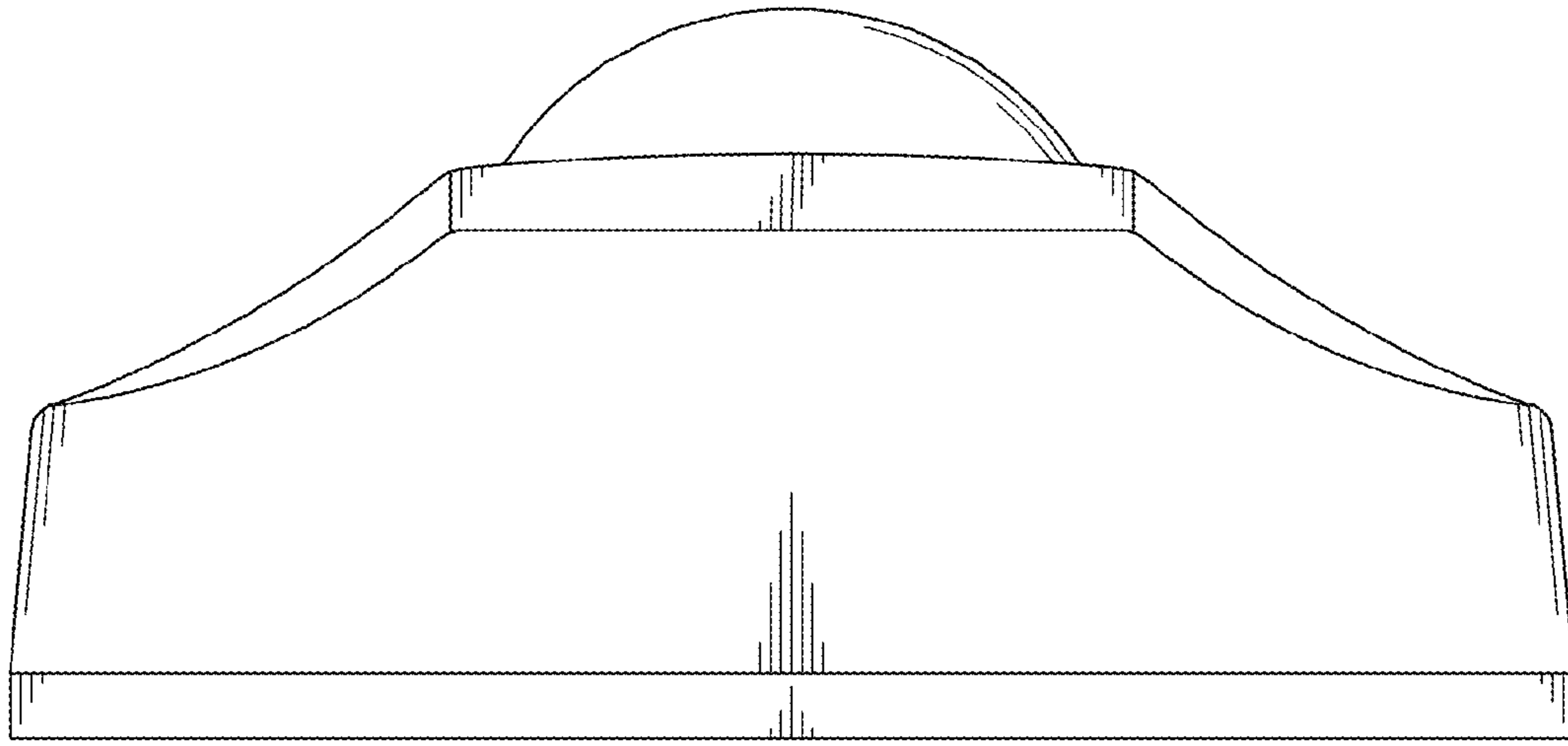


FIG. 3

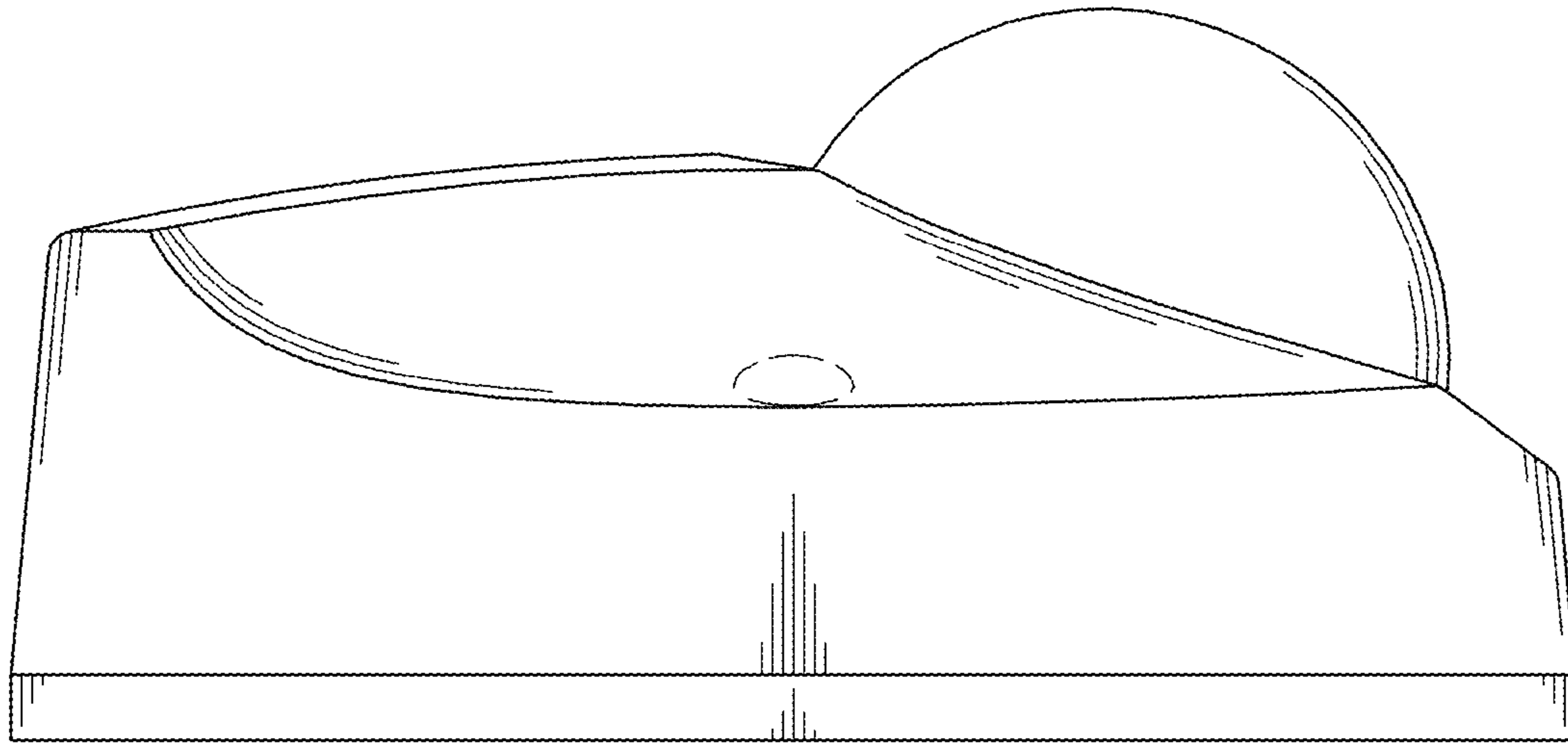


FIG. 4

Attorney Docket No. US46530  
5/7

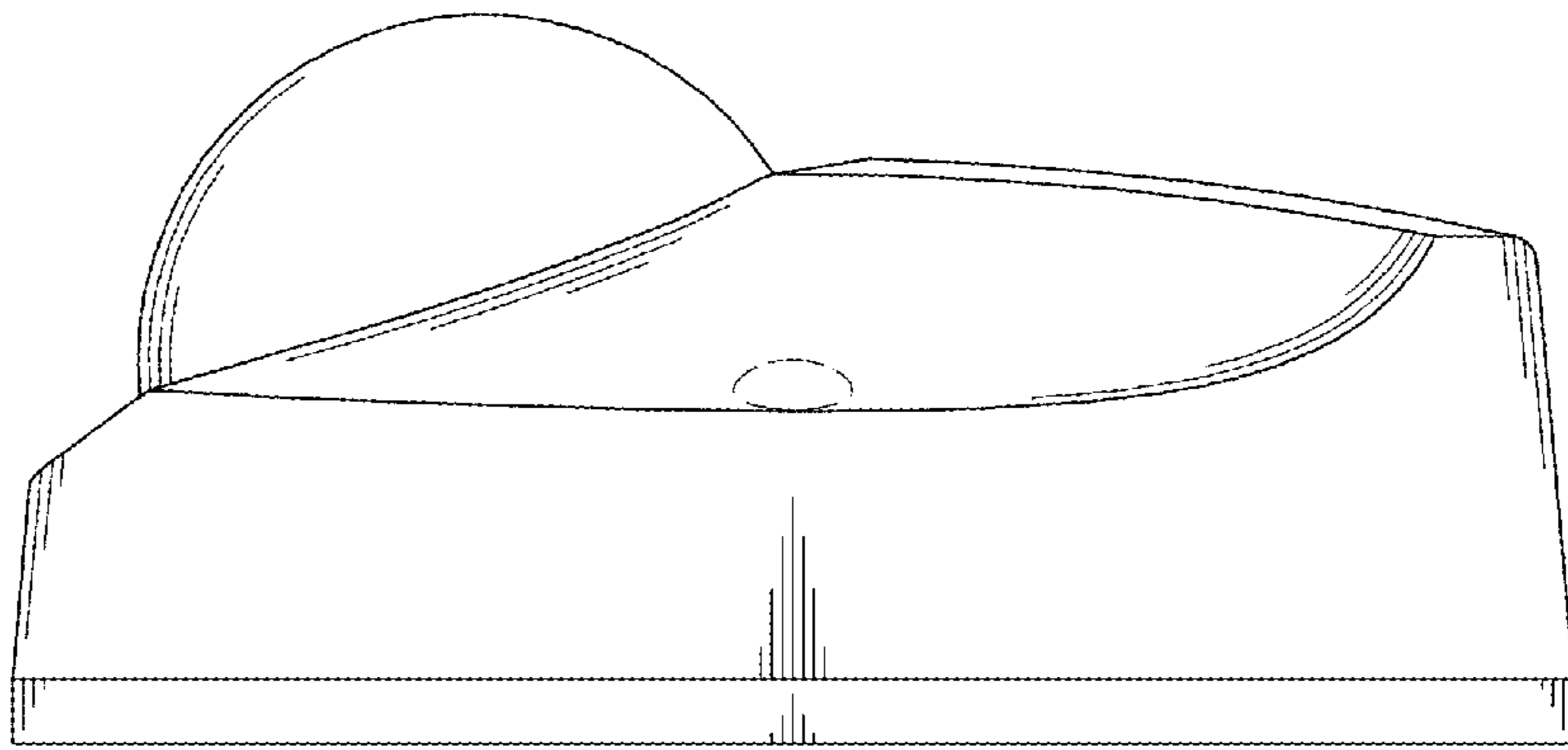


FIG. 5

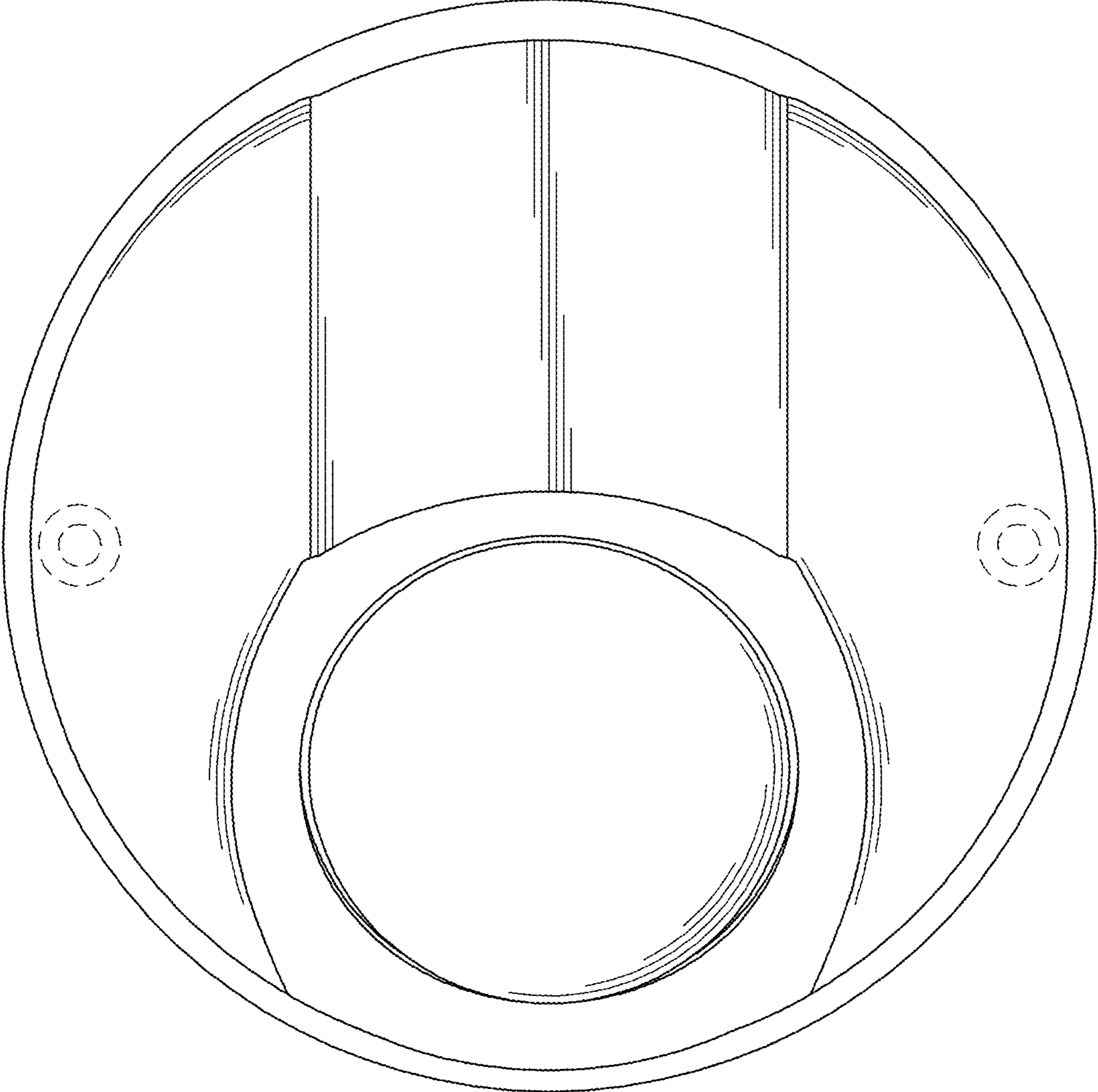


FIG. 6



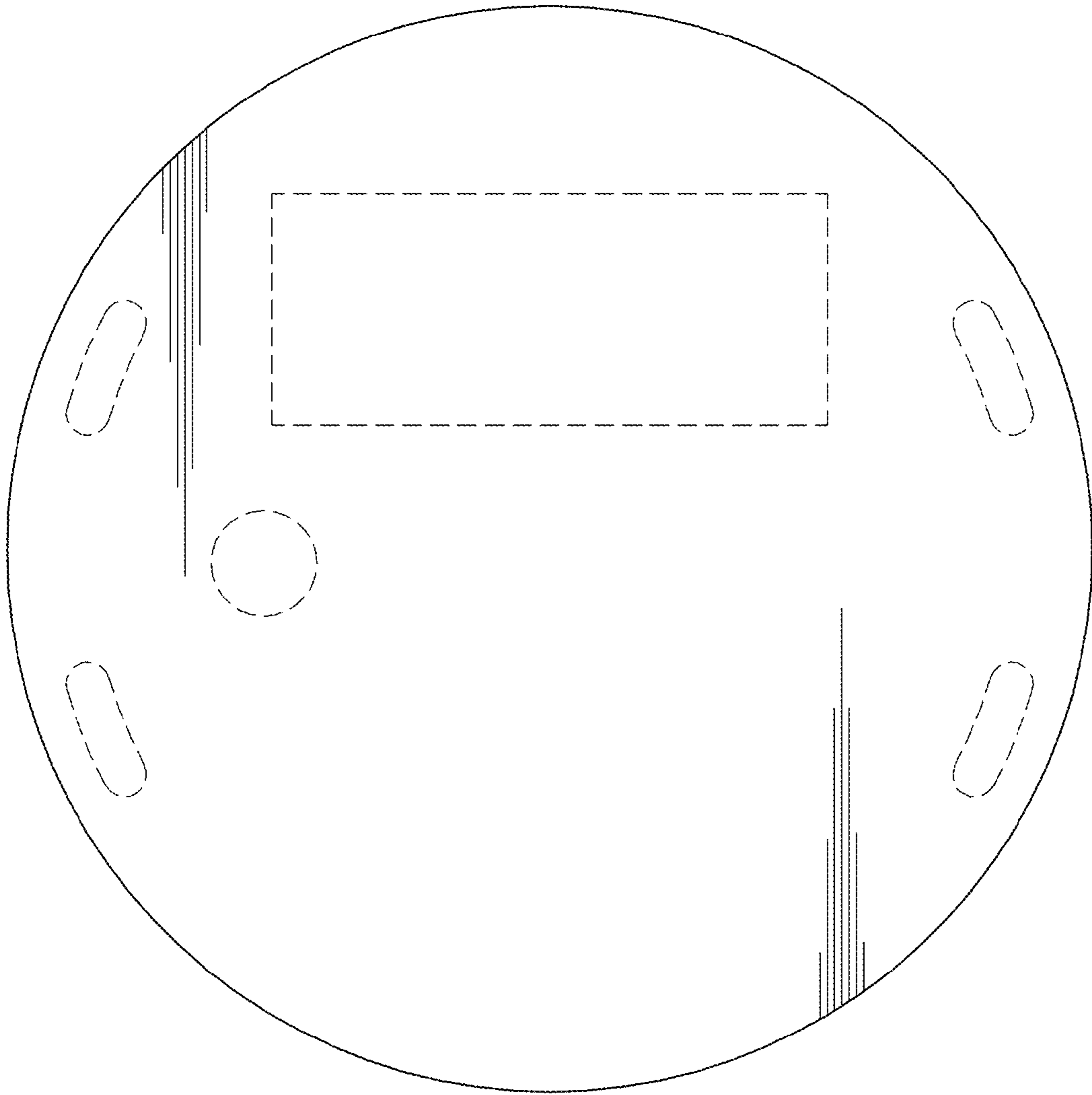


FIG. 7