

US00D689535S

(12) **United States Design Patent**
Nojima

(10) **Patent No.:** **US D689,535 S**

(45) **Date of Patent:** **** Sep. 10, 2013**

(54) **DIGITAL CAMERA**

(75) Inventor: **Akira Nojima**, Tokyo (JP)

(73) Assignee: **Nikon Corporation**, Tokyo (JP)

(**) Term: **14 Years**

(21) Appl. No.: **29/415,398**

(22) Filed: **Mar. 9, 2012**

(30) **Foreign Application Priority Data**

Sep. 20, 2011 (JP) 2011-021400

(51) **LOC (9) Cl.** **16-01**

(52) **U.S. Cl.**
USPC **D16/202**

(58) **Field of Classification Search**
USPC D16/200, 202, 204, 208, 218, 219;
348/373-376; 358/909.1; 396/25, 535, 540,
396/541
See application file for complete search history.

(56) **References Cited**

U.S. PATENT DOCUMENTS

D555,689	S *	11/2007	Yoo et al.	D16/218
D597,576	S *	8/2009	Kim et al.	D16/202
7,778,014	B2 *	8/2010	Saiki et al.	361/679.01
D628,220	S *	11/2010	Lee	D16/202
7,929,859	B2 *	4/2011	Saiki	396/535
8,014,667	B2 *	9/2011	Saiki	396/535
D649,572	S *	11/2011	Lee	D16/202
D662,958	S *	7/2012	Fujita	D16/202
D677,706	S *	3/2013	Nojima et al.	D16/202

FOREIGN PATENT DOCUMENTS

JP	1077250	S	7/2000
JP	1432563	S	1/2012
JP	1432777	S	1/2012

OTHER PUBLICATIONS

Model "D-LUX 4 Safari" Leica Limited, Olive Paint. DC Watch. Jun. 25, 2009. Accessed online at http://dc.watch.impress.co.jp/docs/news/20090625_296613.html Last accessed Feb. 14, 2013.

Leica D-Lux 4 and C-Lux 3. Wex biog. Sep. 23, 2008. Accessed online: <http://www.wexphotographic.com/blog/leica-d-lux-4-and-c-lux-3>. Last accessed Feb. 14, 2013.

Leica D-Lux-4: the first digital compact system camera. Date not listed on document. DC Views. Accessed online: <http://www.dcviews.com/press/Leica-D-Lux-4.htm> Last accessed Feb. 14, 201, (admitted prior art).

LR Admin, Leica D-Lux 4 custom hot shoe cover. <http://leicarumors.com> Jan. 15, 2009. Accessed online at: <http://leicarumors.com/2009/01/15/leica-d-lux-4-custom-hot-shoe-cover.aspx/>, Last accessed Feb. 14, 2013

Franiec, Leica D-LUX 4. Accessed online at : http://kleptography.com/rf/#camera_dlux4. Last accessed Feb. 14, 2013, (admitted prior art).

(Continued)

Primary Examiner — Adir Aronovich

(74) *Attorney, Agent, or Firm* — Wolf, Greenfield & Sacks, P.C.; Randy J. Pritzker

(57) **CLAIM**

The ornamental design for a digital camera, as shown and described.

DESCRIPTION

FIG. 1 is a front perspective view of a digital camera showing my new design;

FIG. 2 is a rear perspective view thereof;

FIG. 3 is a front elevational view thereof;

FIG. 4 is a rear elevational view thereof;

FIG. 5 is a top plan view thereof;

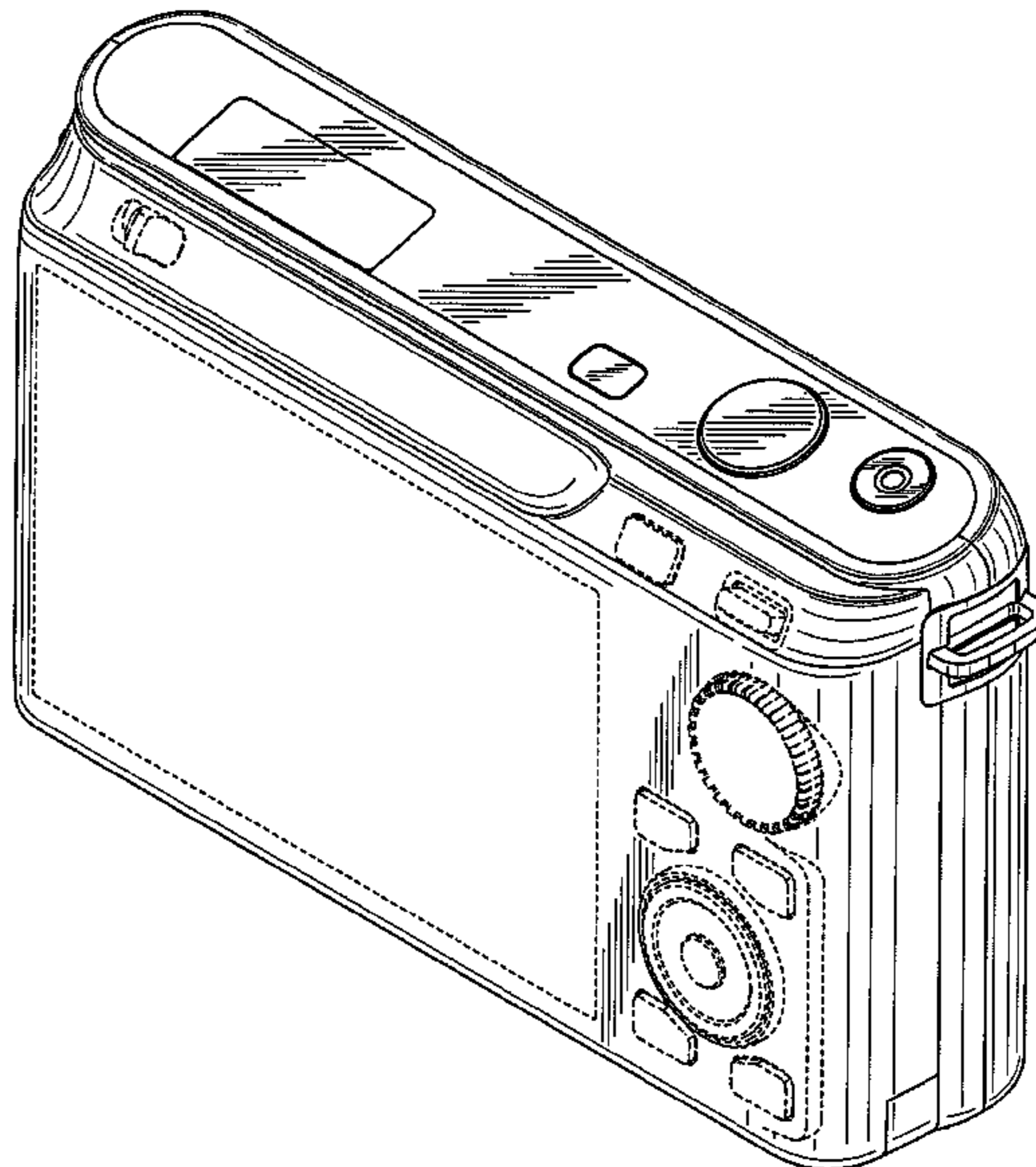
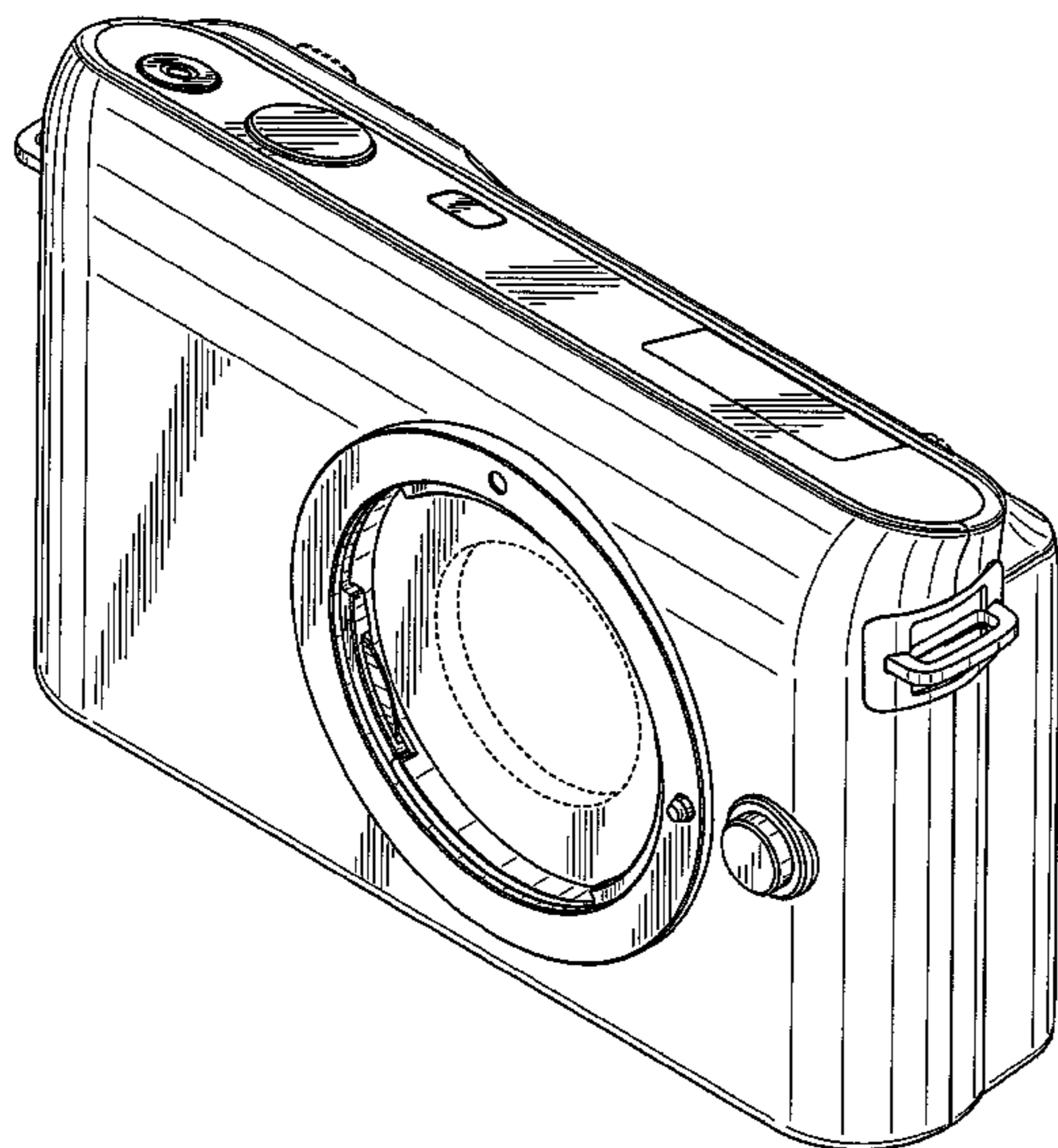
FIG. 6 is a bottom plan view thereof;

FIG. 7 is a right side elevational view thereof; and,

FIG. 8 is a left side elevational view thereof.

The features shown in broken lines in the drawings depict environmental subject matter only and form no part of the claimed design.

1 Claim, 7 Drawing Sheets



(56)

References Cited

OTHER PUBLICATIONS

Leica D-LUX5. Leica website. Accessed online: http://jp.leica-camera.com/photography/compact_camera/d-lux_5/. Last accessed Feb. 14, 2013, (admitted prior art).

Leica X—1. Vingt huit Blog. Sep. 10, 2009. Accessed online: <http://vingt-huit.blog.so-net.ne.jp/2009-09-10-1>. Last accessed Feb. 14, 2013.

* cited by examiner

FIG. 1

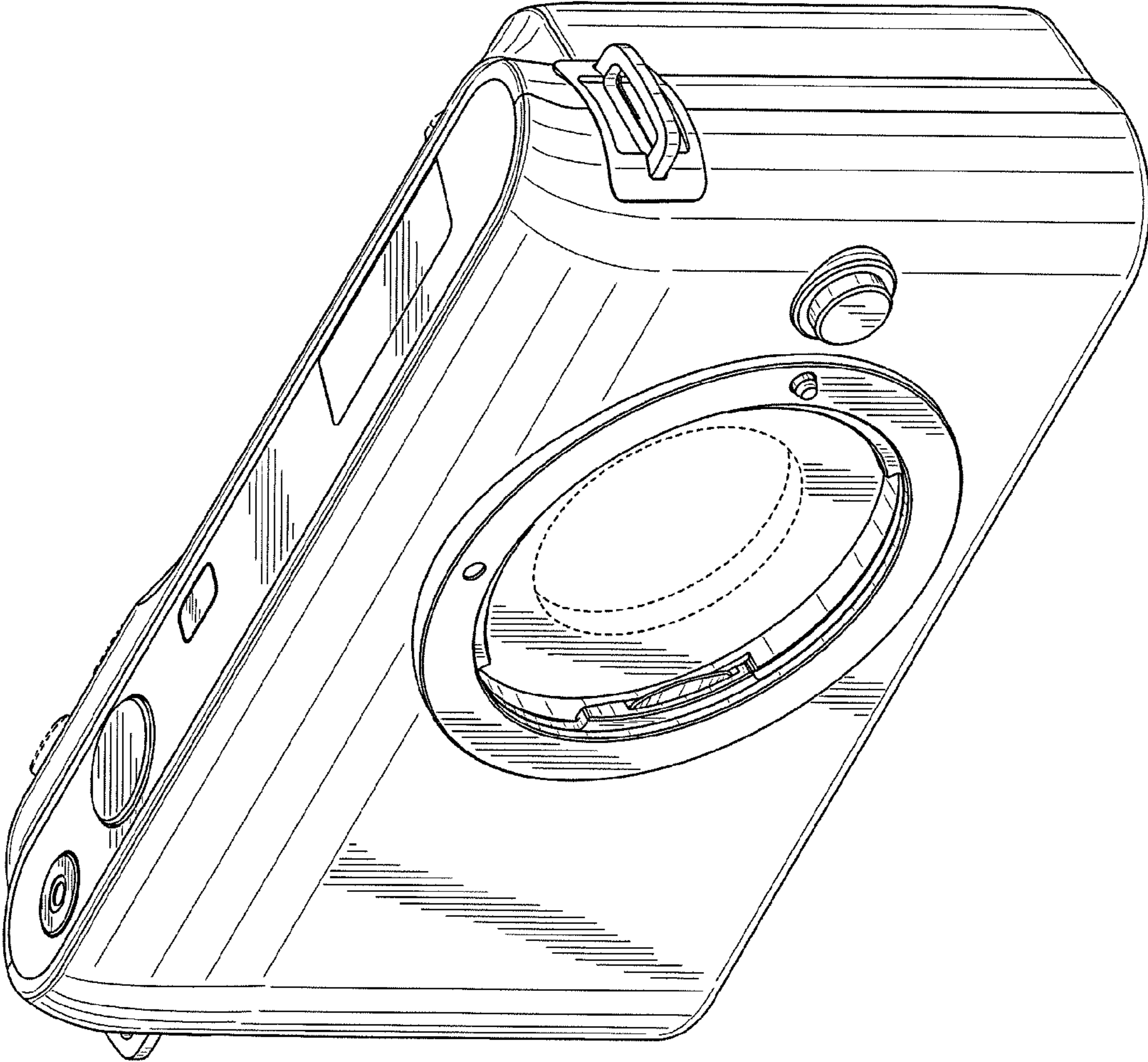


FIG. 2

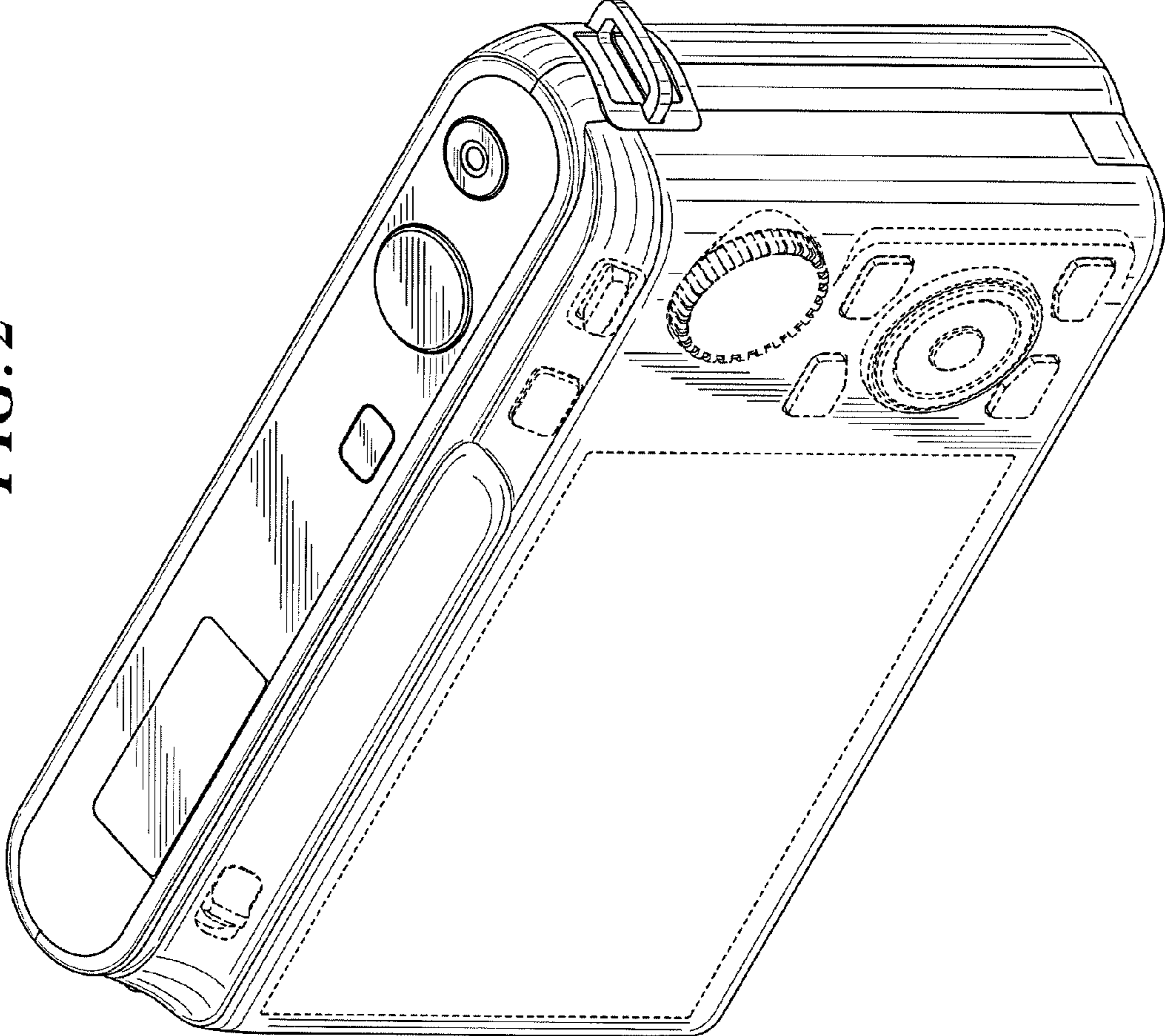


FIG. 3

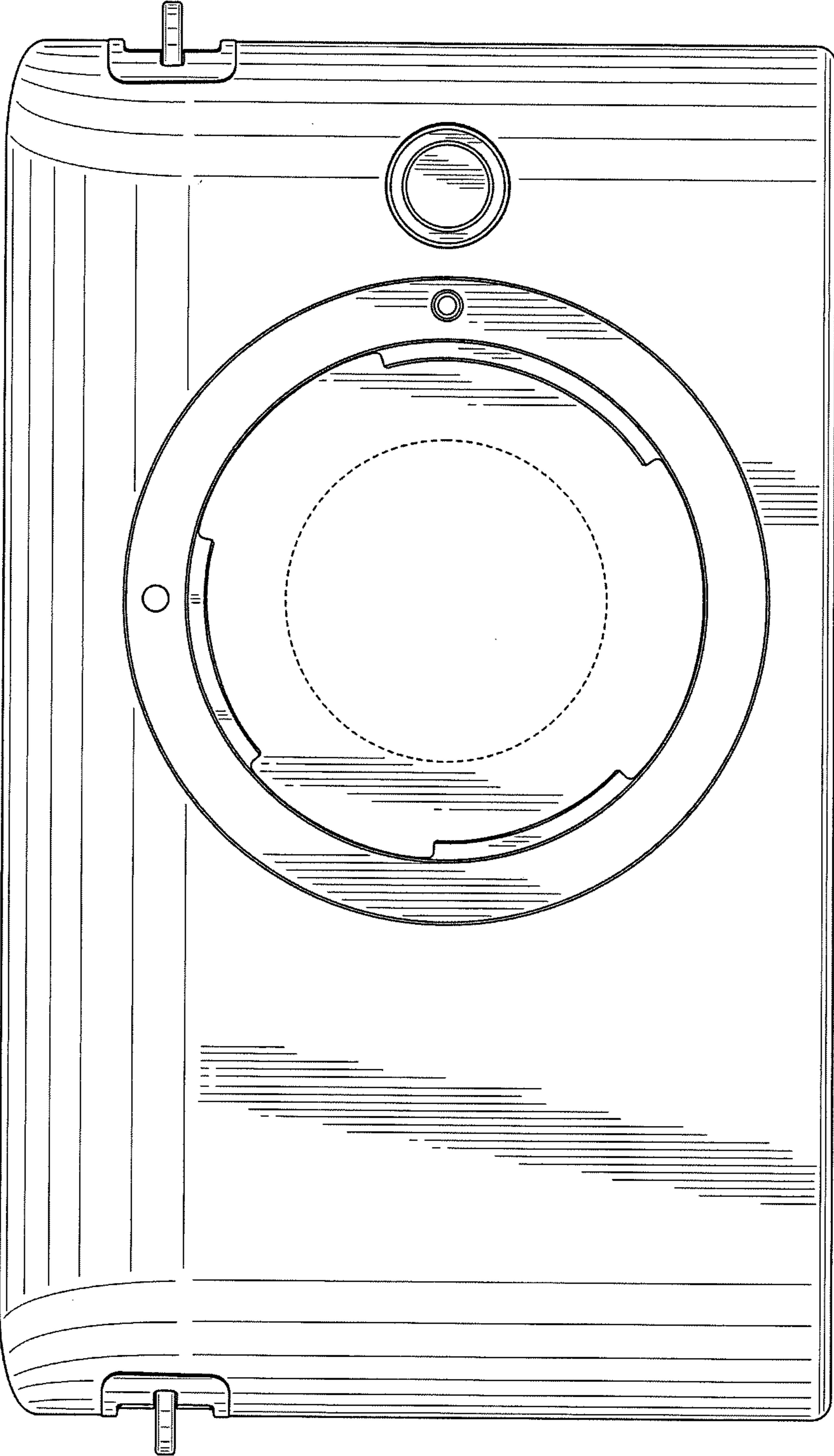


FIG. 4

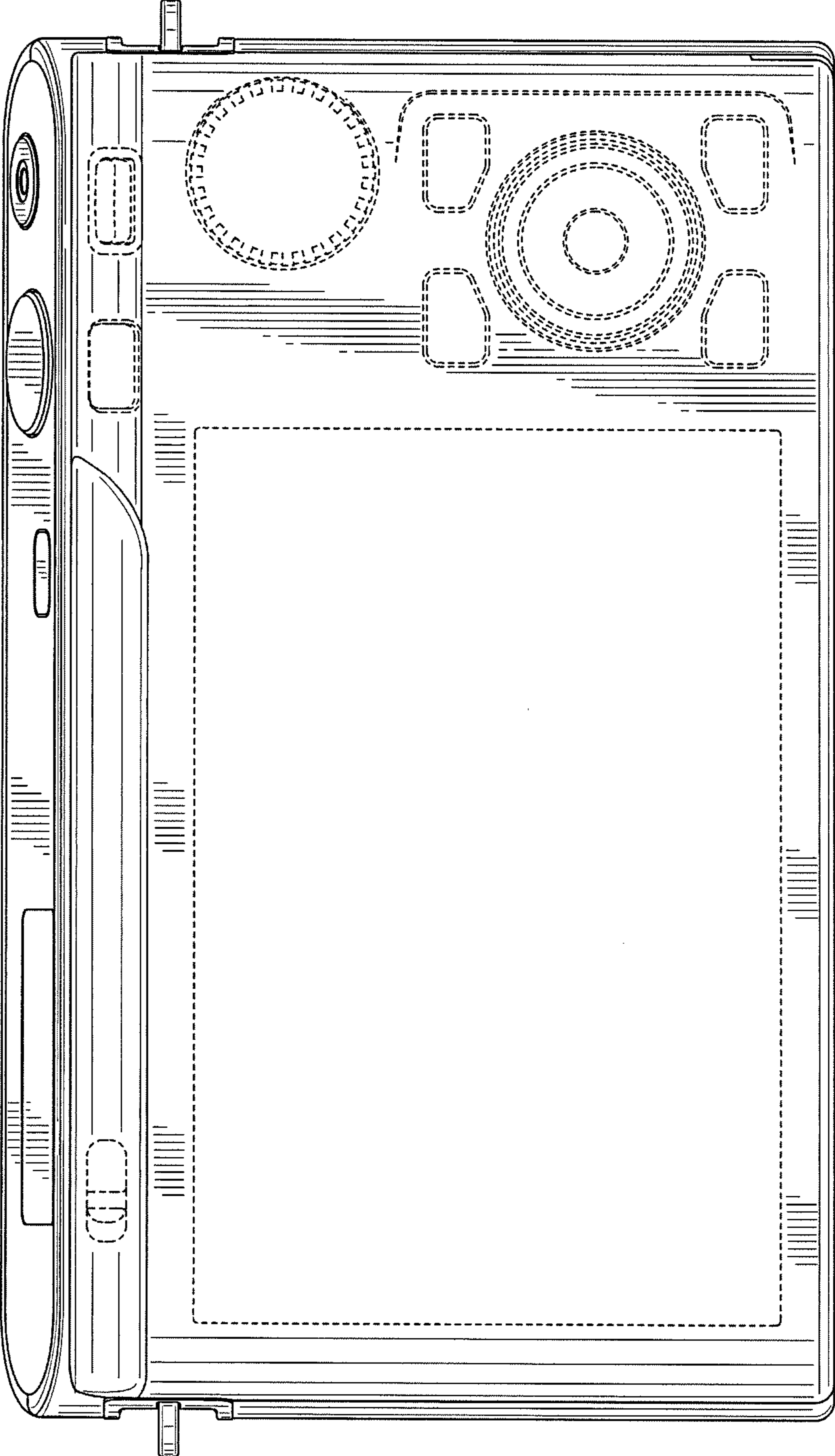


FIG. 5

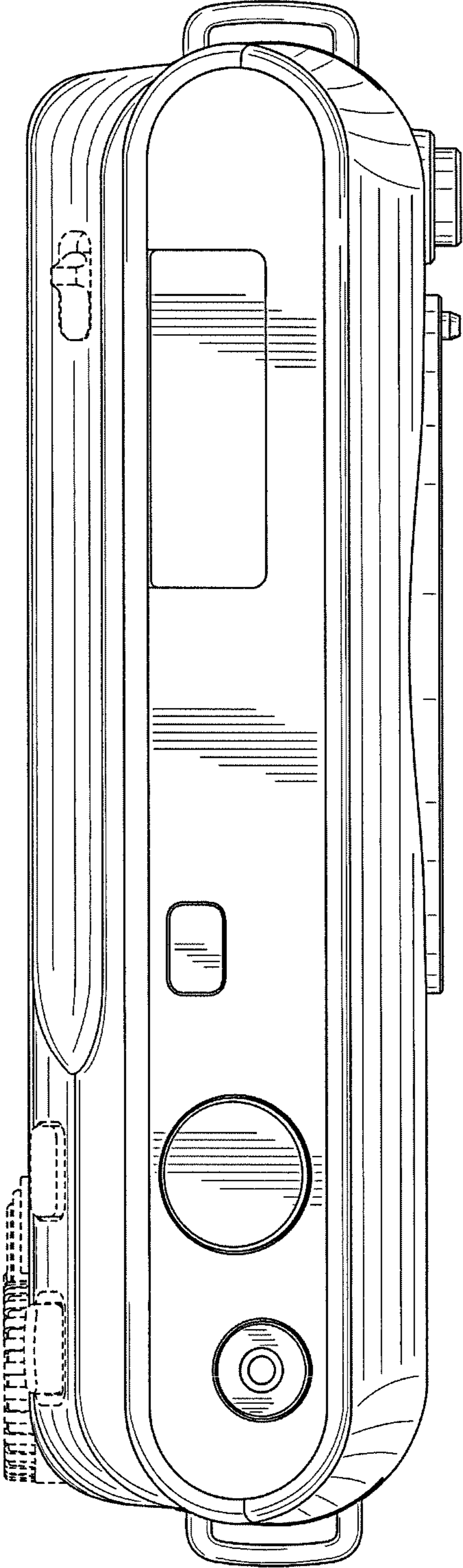


FIG. 6

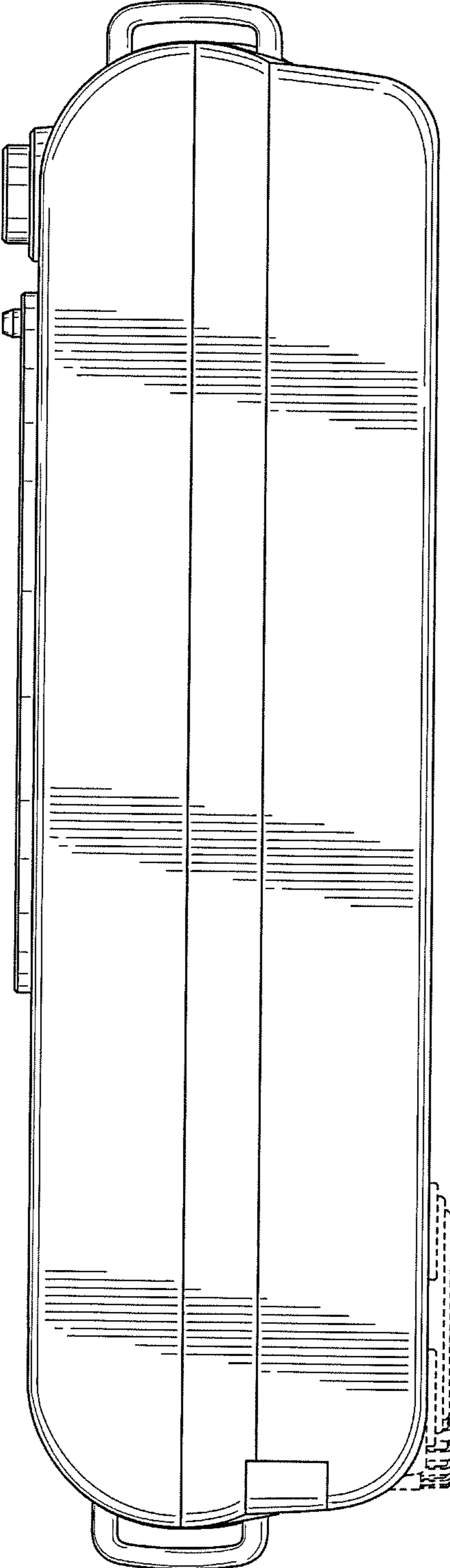


FIG. 8

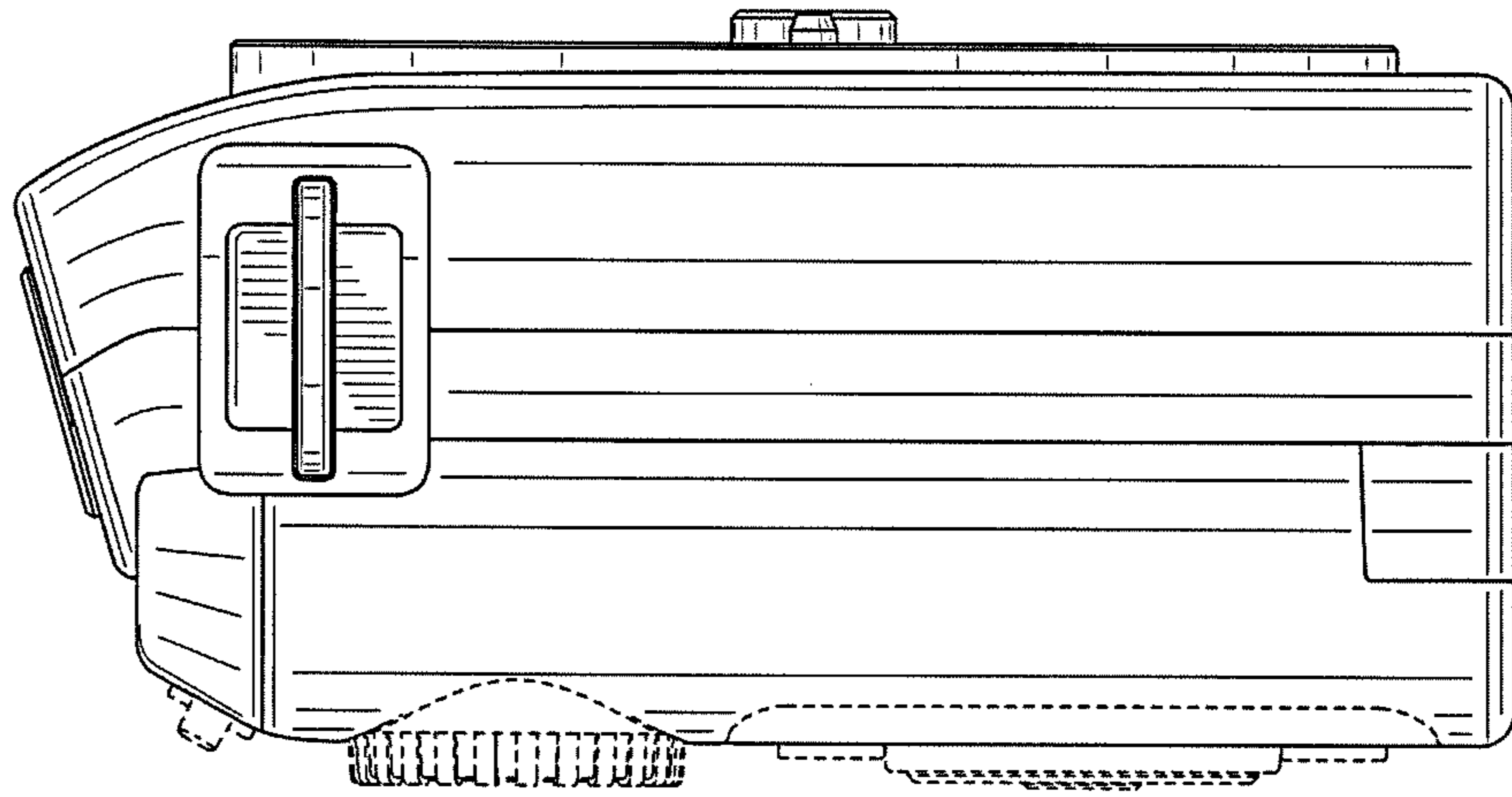


FIG. 7

