



US00D689532S

(12) **United States Design Patent**
Van et al.

(10) **Patent No.:** **US D689,532 S**

(45) **Date of Patent:** **** Sep. 10, 2013**

(54) **CONTAINER**

(76) Inventors: **John David Van**, San Diego, CA (US);
Enko Telahun, San Diego, CA (US)

(**) Term: **14 Years**

(21) Appl. No.: **29/424,365**

(22) Filed: **Jun. 11, 2012**

(51) **LOC (9) Cl.** **15-07**

(52) **U.S. Cl.**
USPC **D15/89**

(58) **Field of Classification Search**
USPC D15/79-89; D3/273, 274, 203.3;
D24/216, 224, 227, 229, 232; 206/252, 557;
229/100, 116.1, 124, 902; 62/3.6, 3.74, 371,
62/457.5, 441, 377, 326, 246-254, 457.1;
312/400-409, 114-119, 138.1, 139.2, 236
See application file for complete search history.

(56) **References Cited**

U.S. PATENT DOCUMENTS

D284,196 S *	6/1986	Wolff	D15/89
4,671,070 A *	6/1987	Rudick	62/3.6
D343,092 S *	1/1994	Knackstedt	D7/605
D344,962 S *	3/1994	Colman	D15/79
D393,472 S *	4/1998	Takizawa	D15/79
D492,328 S *	6/2004	Uihlein et al.	D15/89
D553,165 S *	10/2007	Lee et al.	D15/89

D659,724 S *	5/2012	Wolfe	D15/79
D662,831 S *	7/2012	In	D9/662
D669,921 S *	10/2012	Kinser	D15/89

* cited by examiner

Primary Examiner — Mitchell Siegel

(74) *Attorney, Agent, or Firm* — John K. Buche; Buche & Associates, P.C.

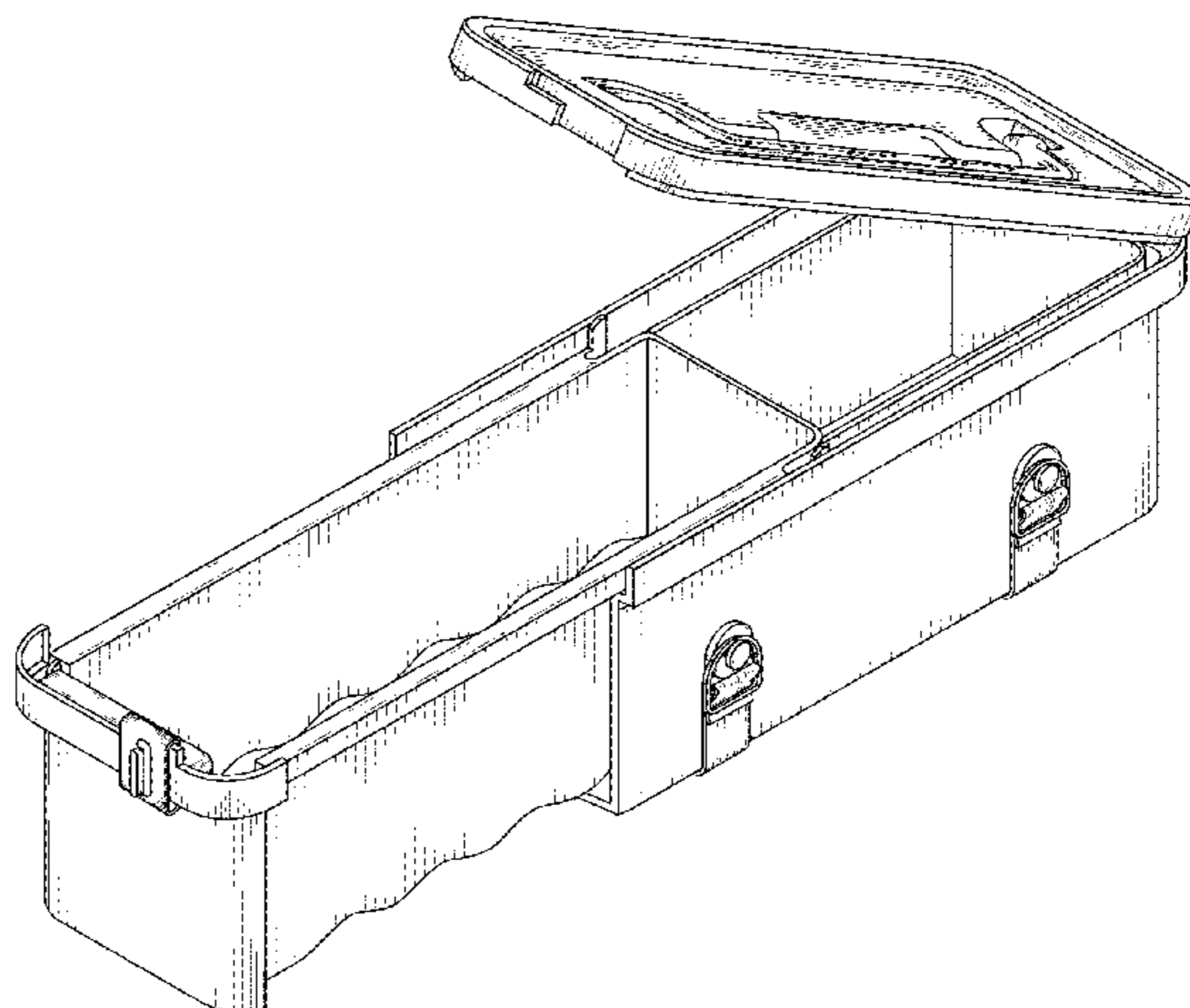
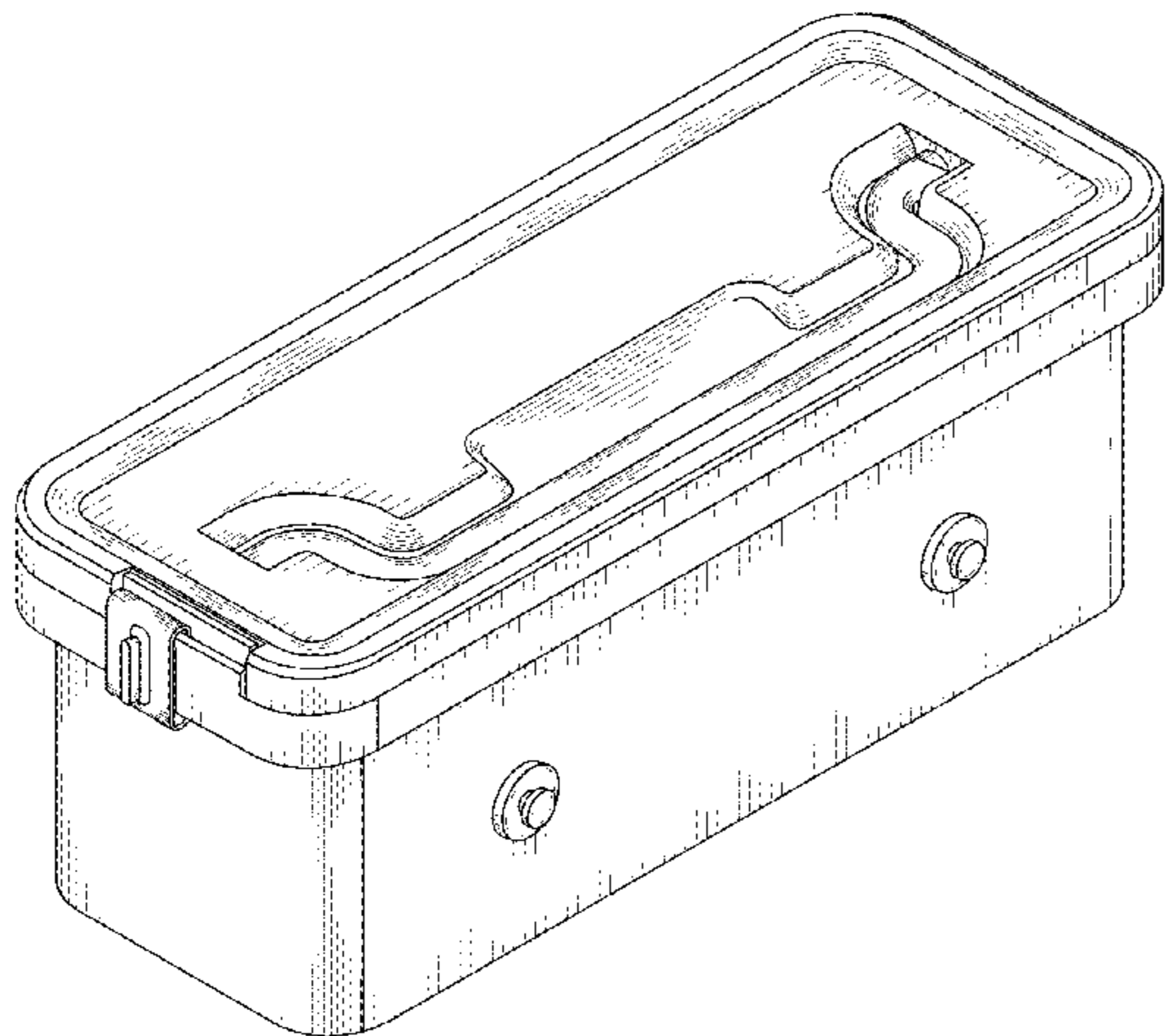
(57) **CLAIM**

The ornamental design for a container, as shown and described.

DESCRIPTION

FIG. 1 is a perspective view of a container;
FIG. 2 is a front view of the container of FIG. 1;
FIG. 3 is a rear view of the container of FIG. 1;
FIG. 4 is a left side view of the container of FIG. 1;
FIG. 5 is a right side view of the container of FIG. 1;
FIG. 6 is top view of the container of FIG. 1;
FIG. 7 is a bottom view of the container of FIG. 1;
FIG. 8 is a perspective view of the container of FIG. 1 with the lid shown in an alternate position;
FIG. 9 is a perspective view of the container of FIG. 1 with the drawer shown in an alternate position; and,
FIG. 10 is a perspective view of the container of FIG. 9 with the lid shown in an alternate position.

1 Claim, 6 Drawing Sheets



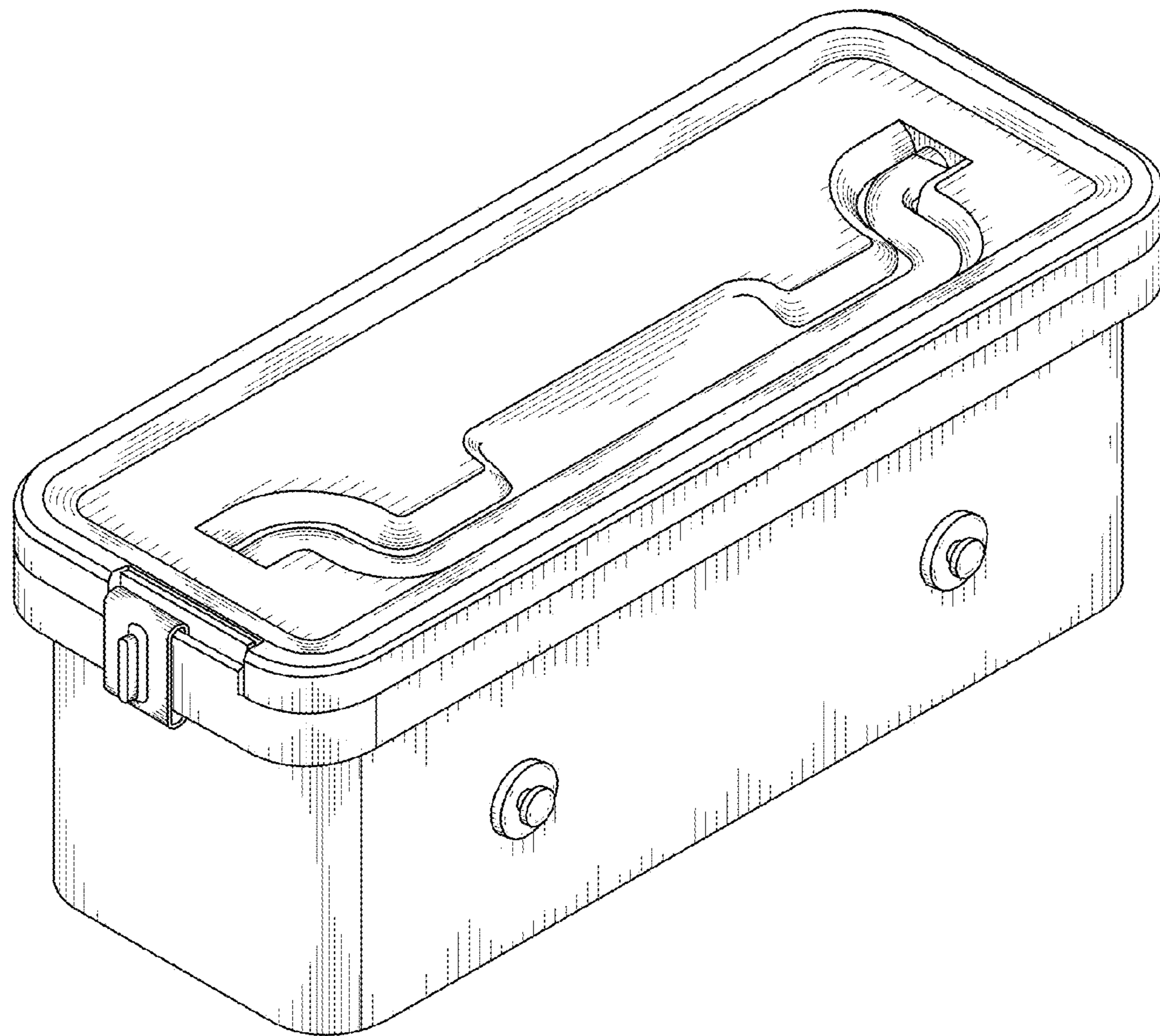


FIG. 1

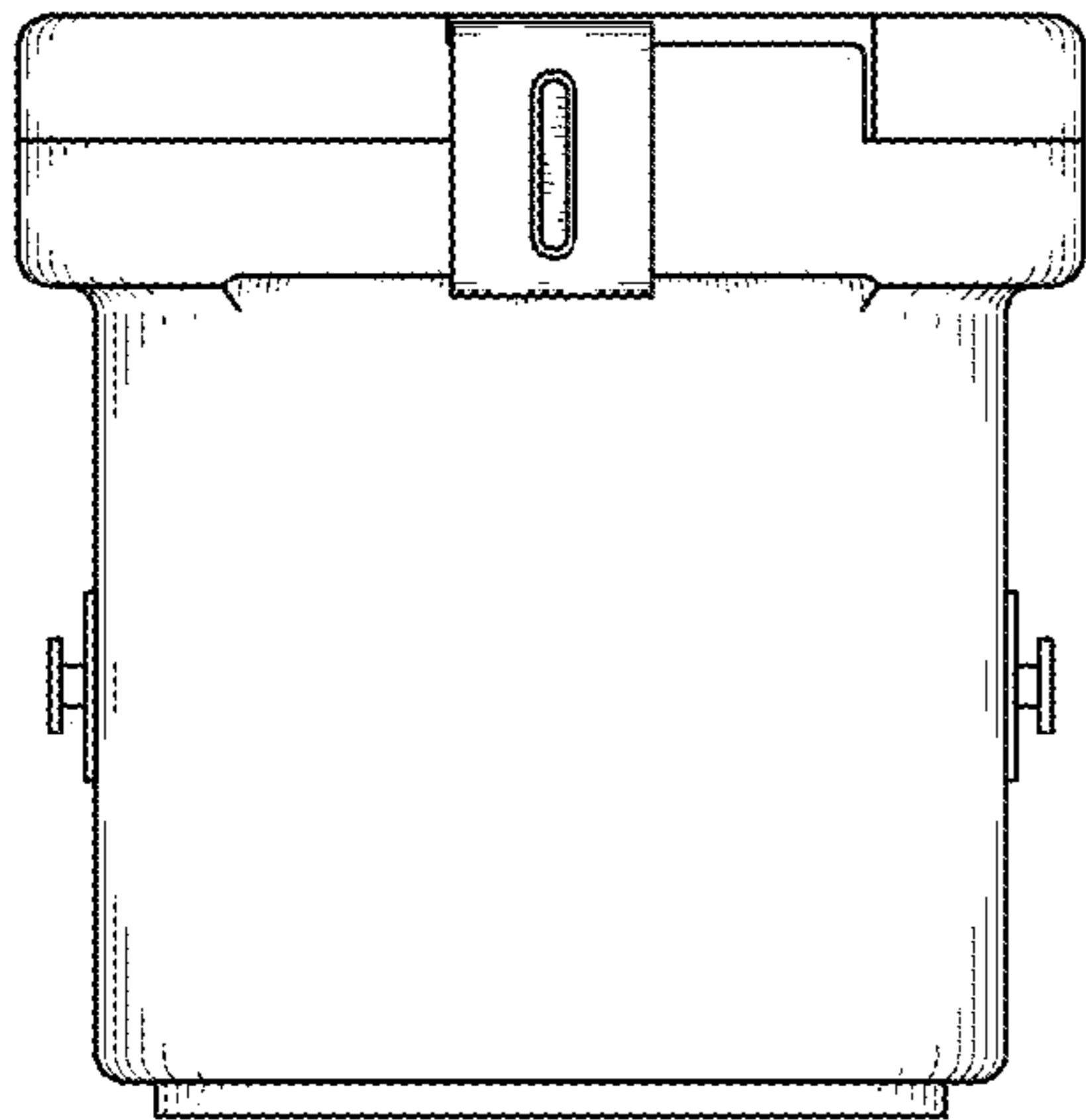


FIG. 2

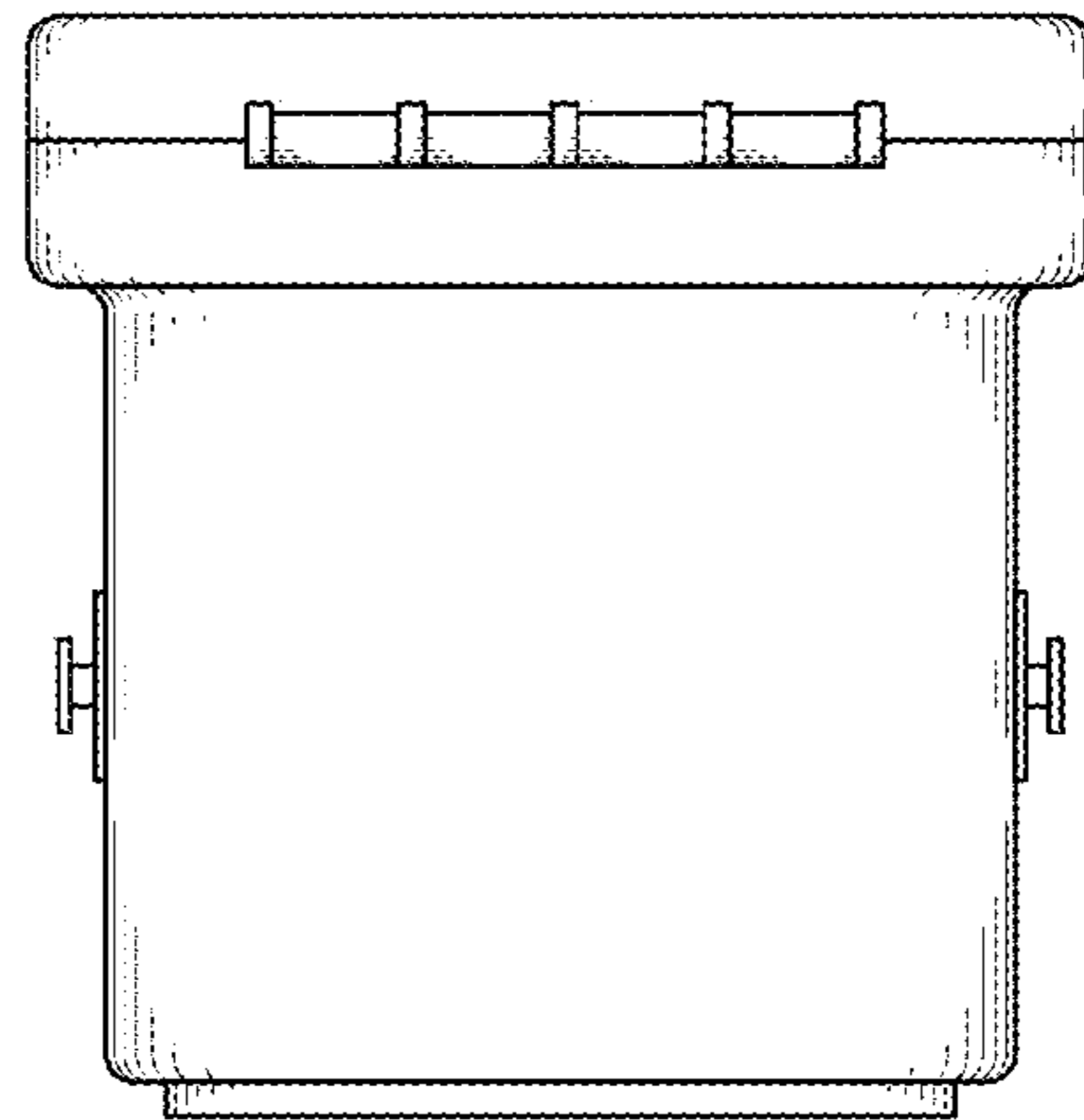


FIG. 3

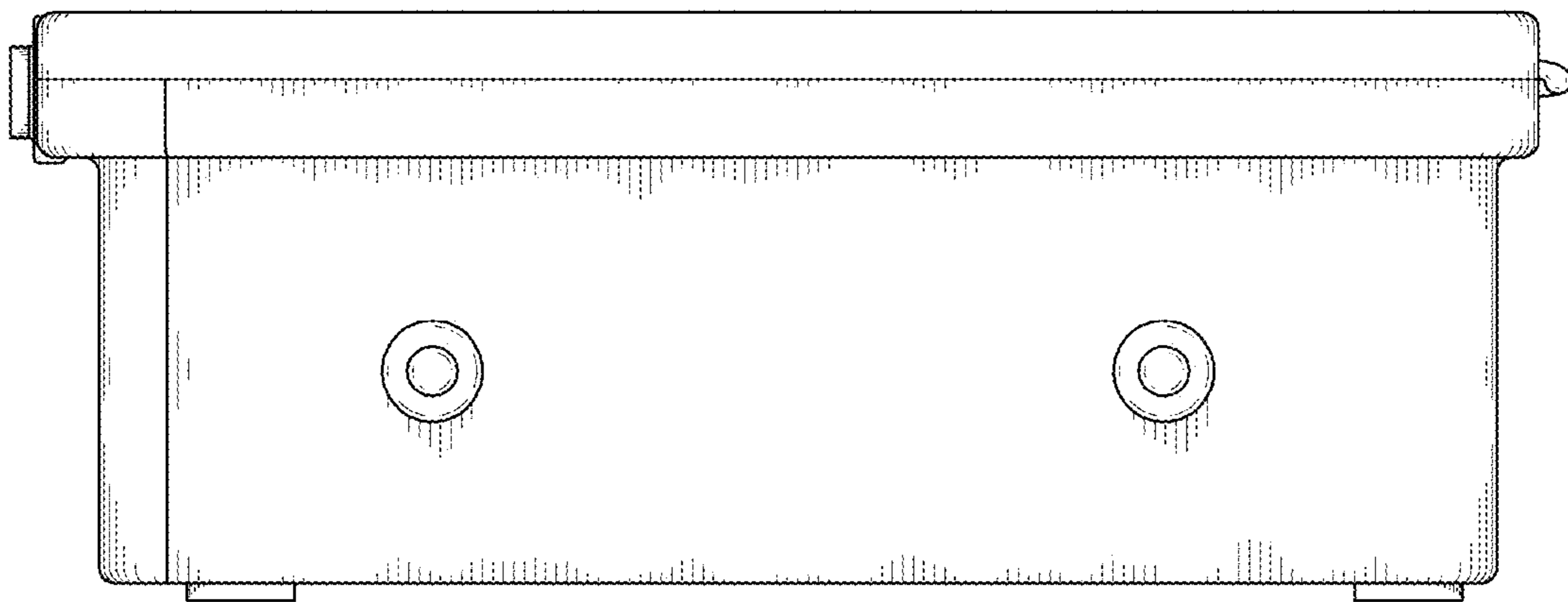


FIG. 4

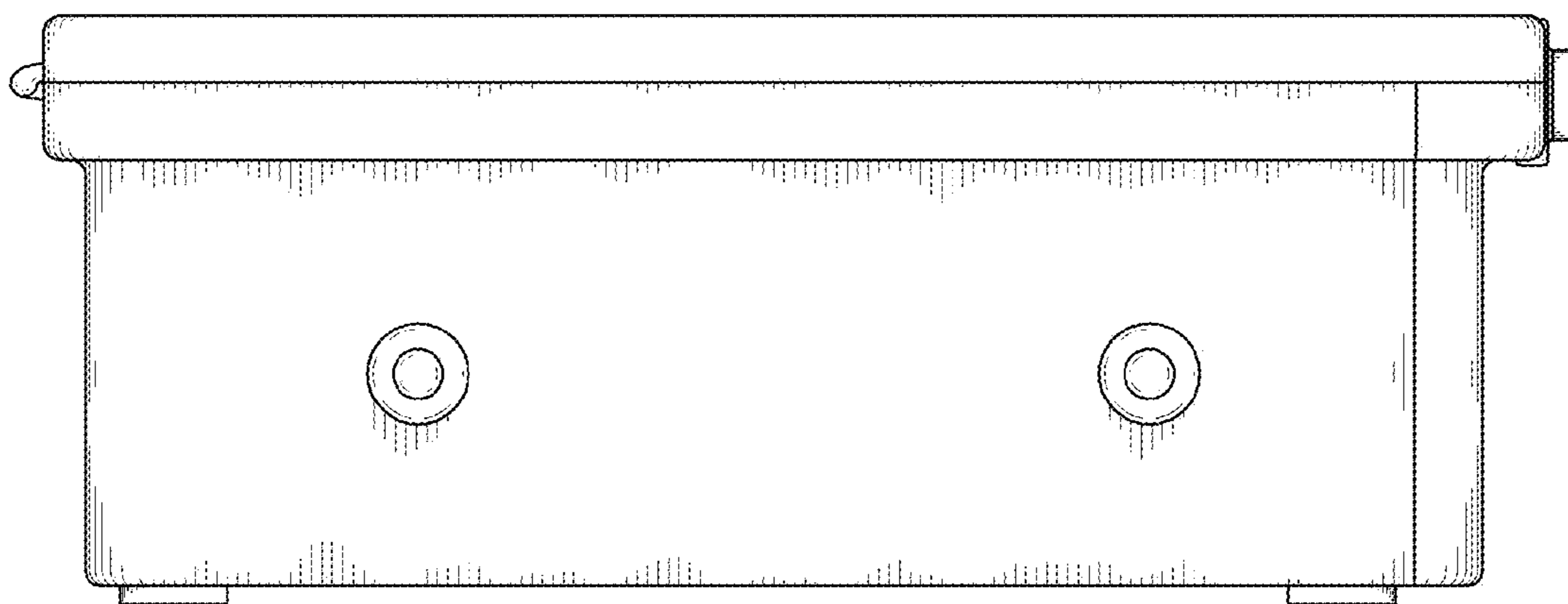


FIG. 5

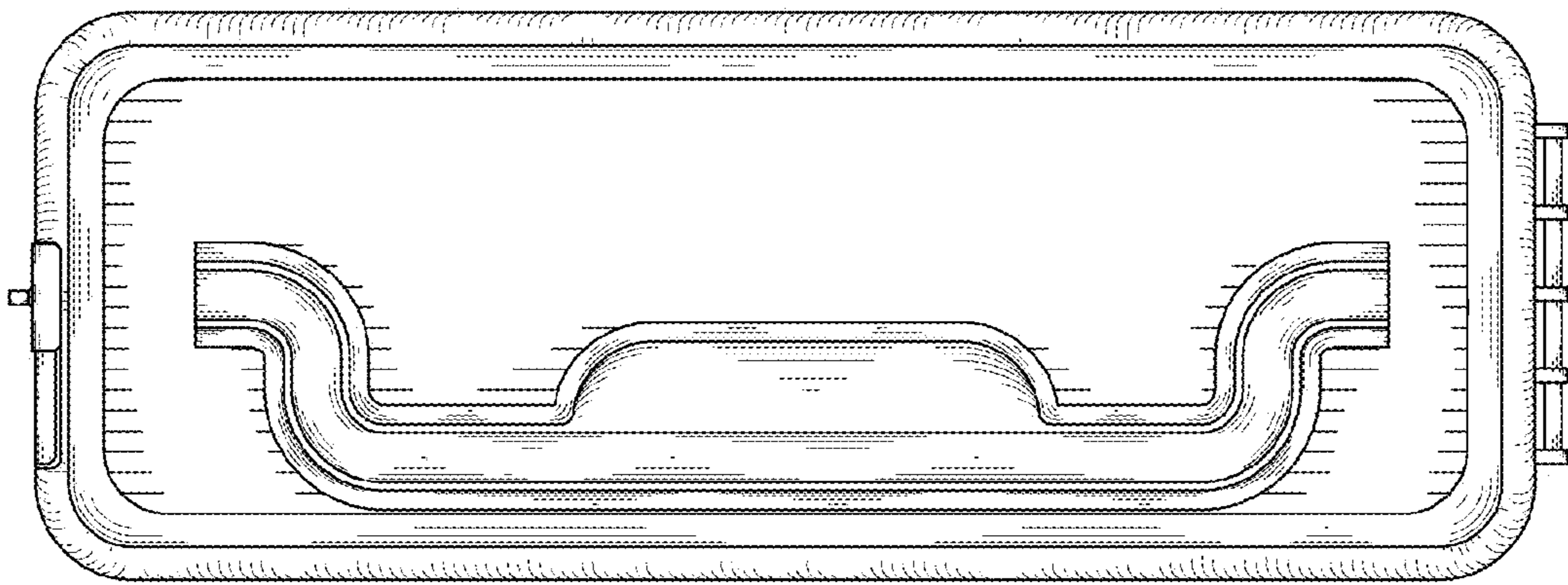


FIG. 6

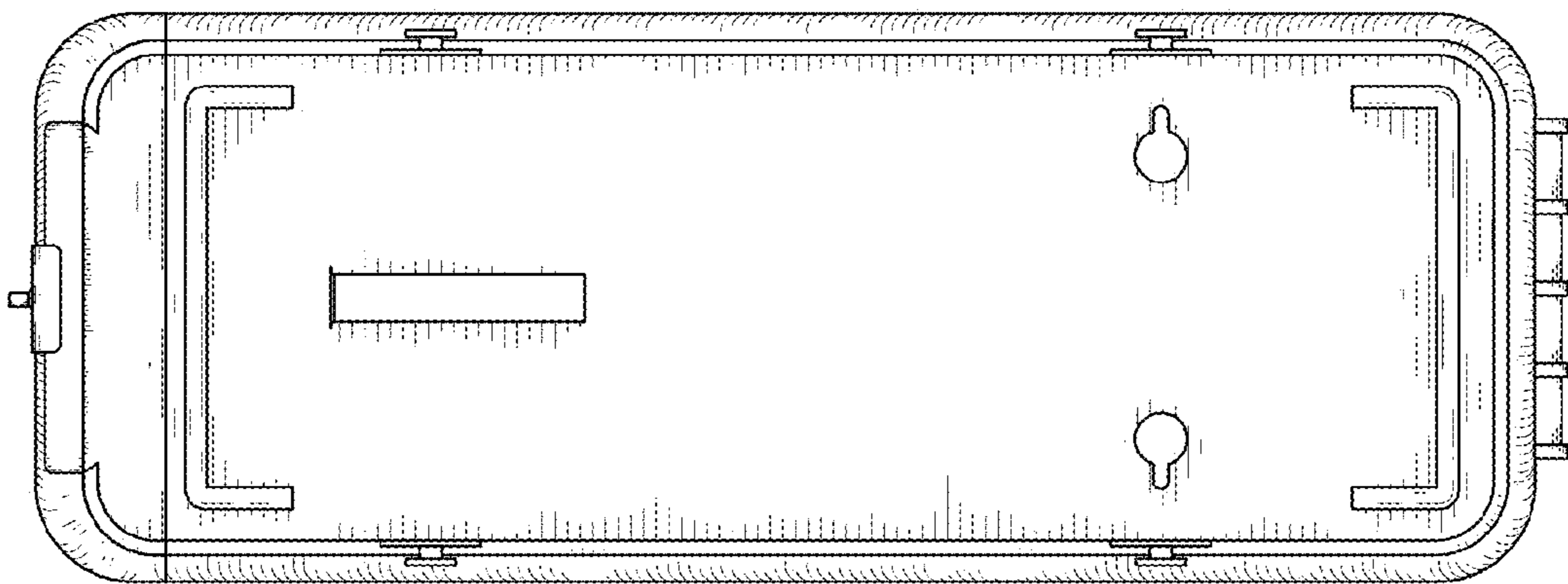


FIG. 7

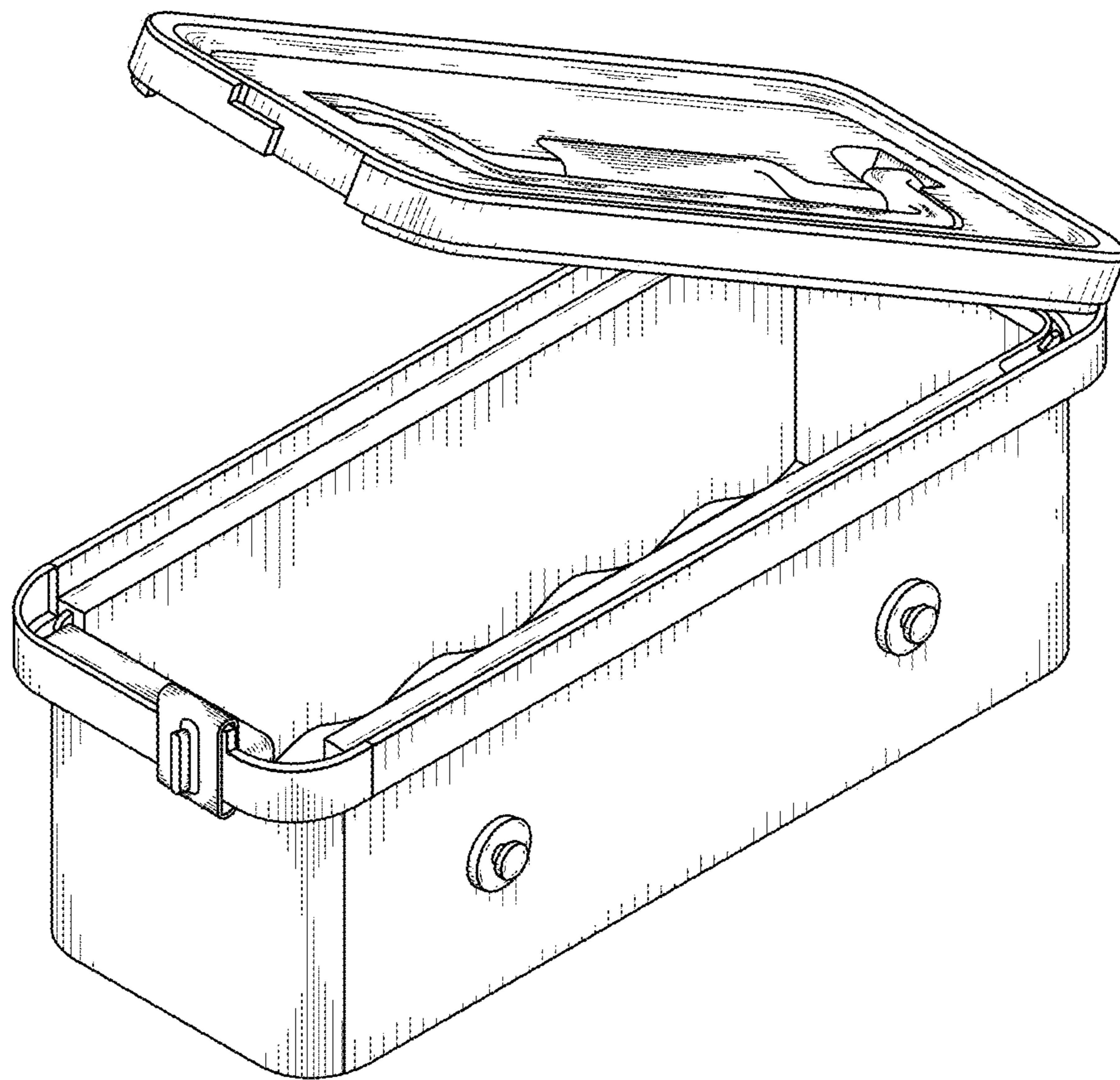


FIG. 8

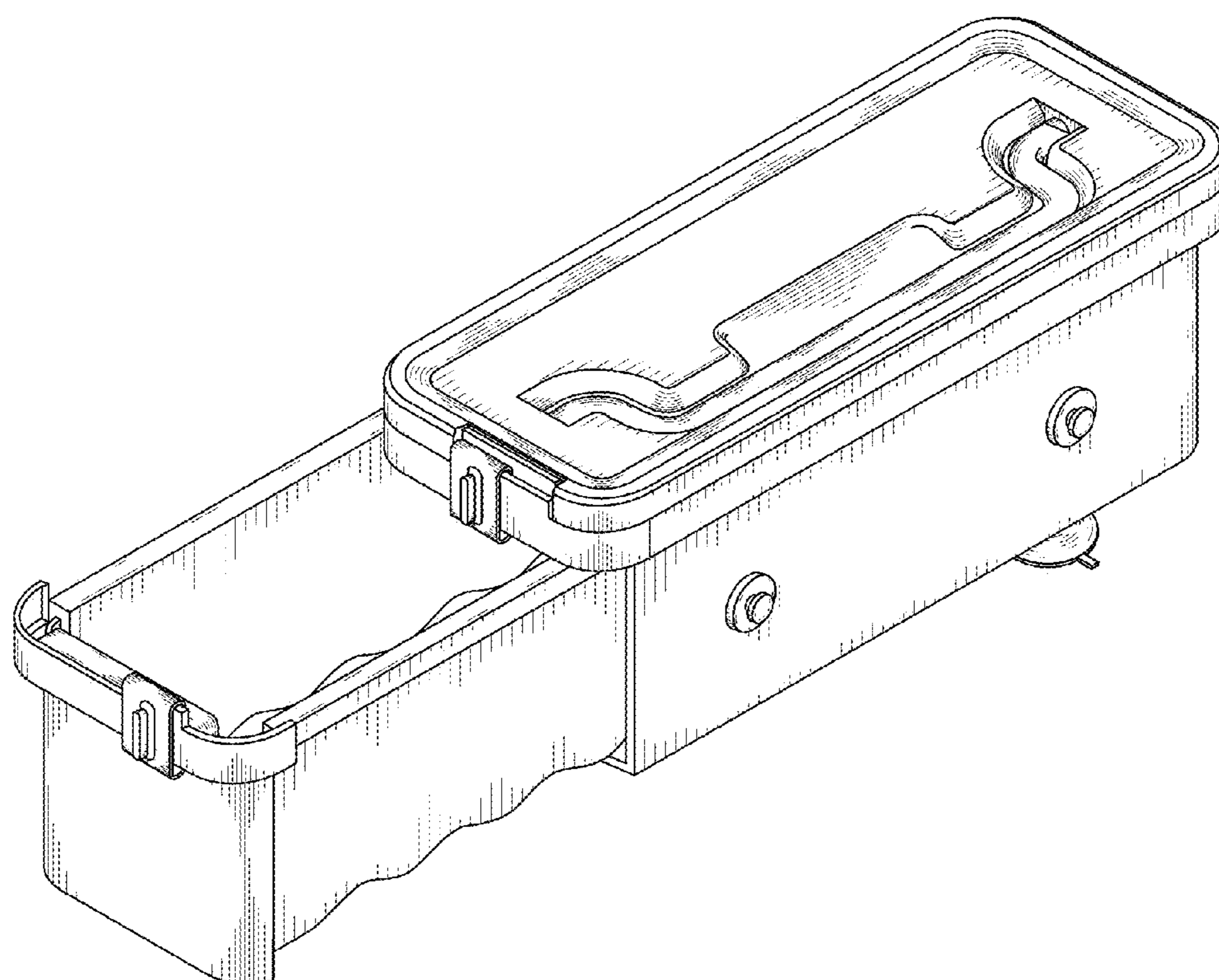


FIG. 9

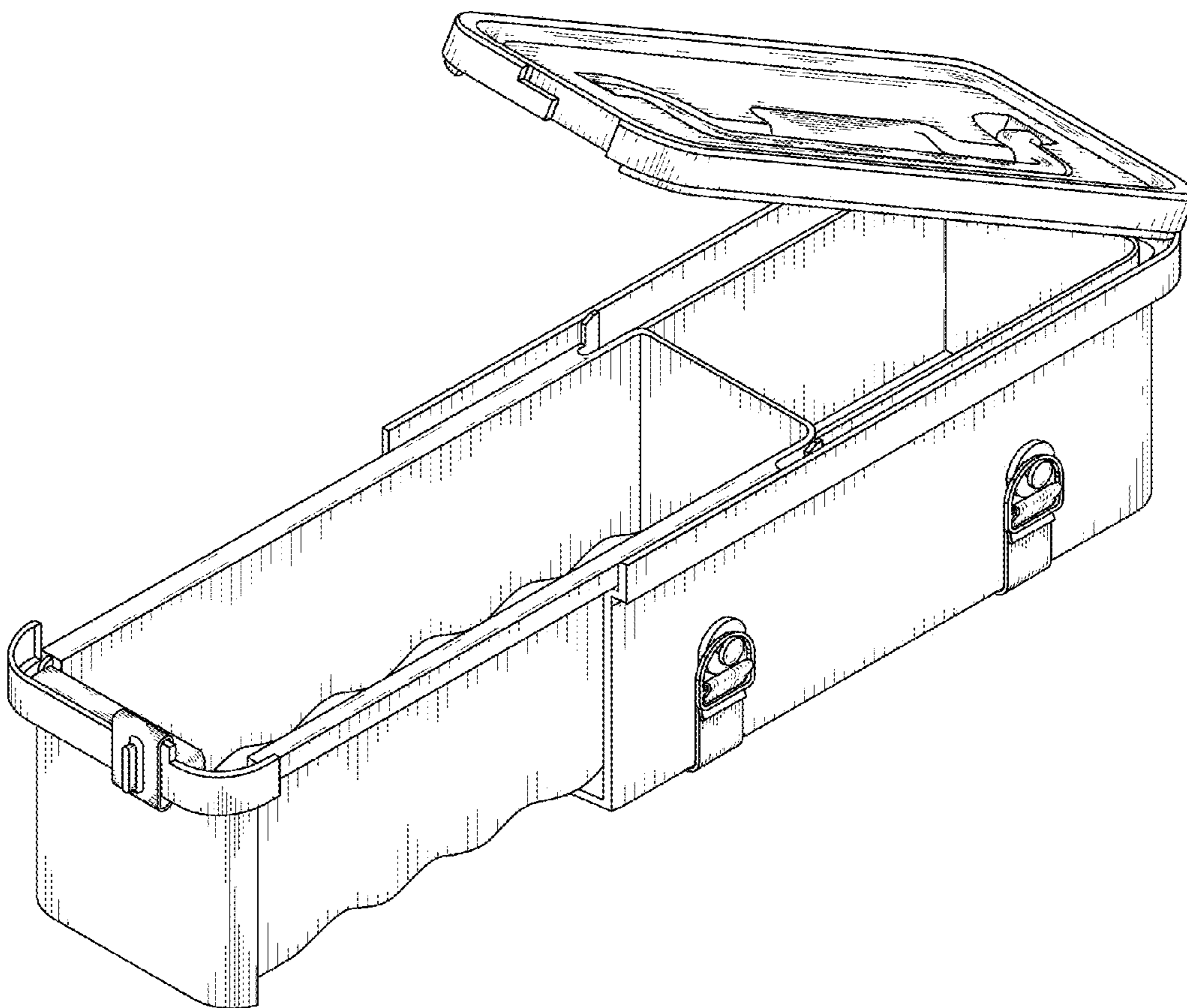


FIG. 10