



US00D689531S

(12) **United States Design Patent**
Gossens et al.

(10) **Patent No.:** **US D689,531 S**
(45) **Date of Patent:** **** Sep. 10, 2013**

(54) **FREEZER**

(75) Inventors: **Caleb Gossens**, Charlotte, NC (US);
Benjamin Paul Shrader, Charlotte, NC
(US)

(73) Assignee: **Electrolux Home Products, Inc.**,
Charlotte, NC (US)

(**) Term: **14 Years**

(21) Appl. No.: **29/426,546**

(22) Filed: **Jul. 6, 2012**

(51) **LOC (9) Cl.** **15-07**

(52) **U.S. Cl.**
USPC **D15/83**

(58) **Field of Classification Search**
USPC D15/79, 81, 83, 89; 62/3.6-3.64,
62/293, 467, 246-254, 340, 344, 457.1-457.9;
312/400-408, 116, 119, 138.1, 139.1, 236;
220/592.1; 29/890.035, 890.038, 460, 469.5
See application file for complete search history.

(56) **References Cited**

U.S. PATENT DOCUMENTS

| | | | |
|---------------|---------|------------------|---------|
| 1,885,712 A | 11/1932 | Greenberg | |
| D163,079 S * | 4/1951 | Whitmore | D15/83 |
| D170,002 S | 7/1953 | Budlong | |
| 3,133,427 A | 5/1964 | Petkwitz | |
| 4,164,361 A | 8/1979 | Grimble et al. | |
| 4,462,646 A | 7/1984 | Fleck | |
| D299,391 S * | 1/1989 | Meehan | D15/83 |
| D317,454 S | 6/1991 | Matsumura et al. | |
| D343,092 S * | 1/1994 | Knackstedt | D15/89 |
| 5,374,118 A | 12/1994 | Kruck et al. | |
| D358,823 S * | 5/1995 | Grant | D15/83 |
| 5,671,991 A * | 9/1997 | Grant | 312/406 |

| | | | |
|--------------|---------|----------------|--------|
| D491,581 S | 6/2004 | Jang et al. | |
| 6,811,236 B1 | 11/2004 | Spong et al. | |
| D522,538 S | 6/2006 | Chan et al. | |
| D548,249 S * | 8/2007 | Okamoto et al. | D15/84 |
| D551,259 S * | 9/2007 | Wilson | D15/79 |
| D596,208 S | 7/2009 | Cunnane | |
| D652,434 S * | 1/2012 | Sun et al. | D15/83 |
| D668,272 S * | 10/2012 | Ebelt et al. | D15/81 |
| D672,793 S * | 12/2012 | Tang et al. | D15/83 |

* cited by examiner

Primary Examiner — Mitchell Siegel

(74) *Attorney, Agent, or Firm* — Pearne & Gordon LLP

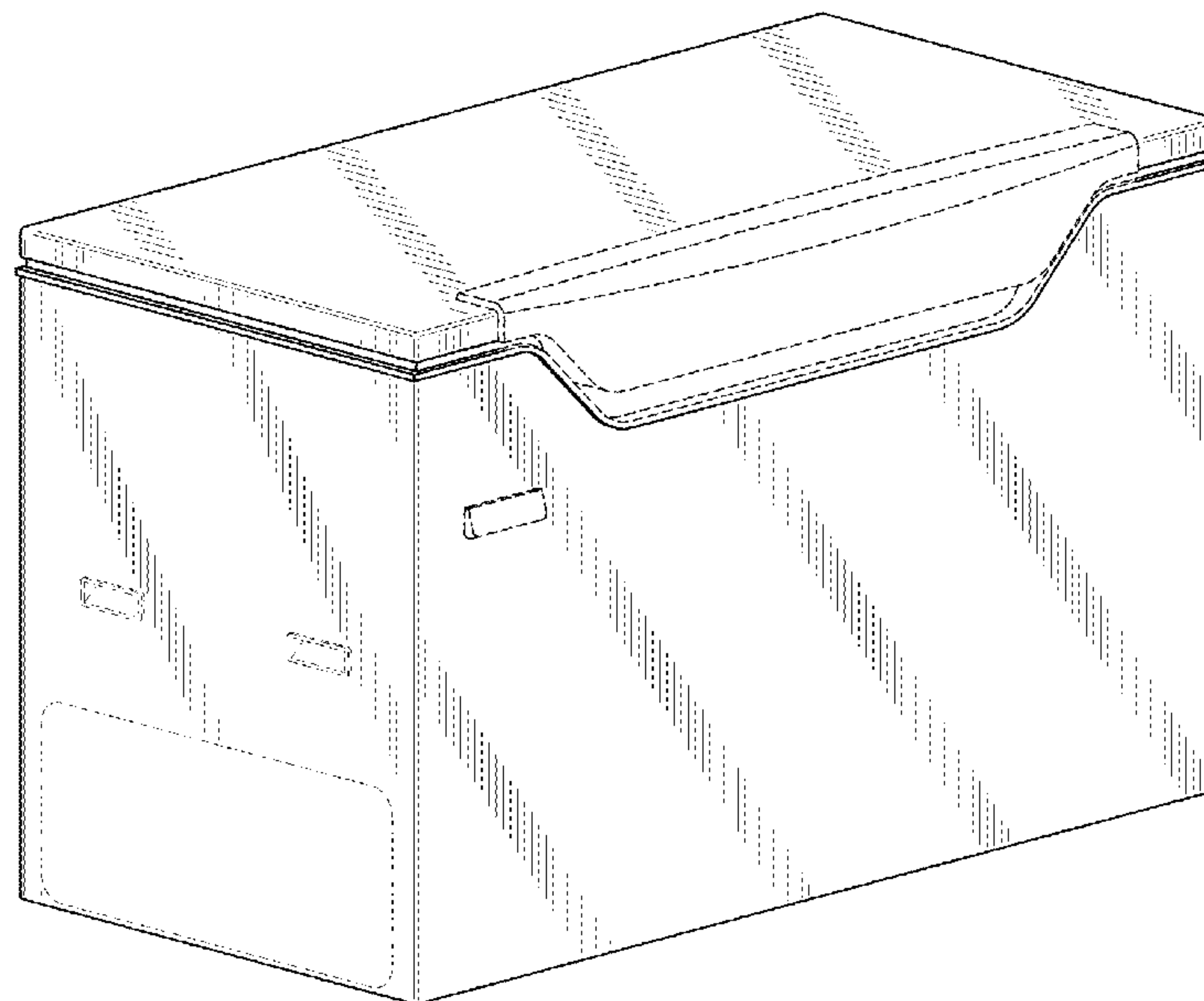
(57) **CLAIM**

The ornamental design for a freezer, as shown and described.

DESCRIPTION

FIG. 1 is a perspective view of a first freezer showing my new design;
 FIG. 2 is a front view thereof;
 FIG. 3 is a rear view thereof;
 FIG. 4 is a left side view thereof;
 FIG. 5 is a right view thereof;
 FIG. 6 is a top view thereof;
 FIG. 7 is a bottom view thereof;
 FIG. 8 is a perspective view of a second freezer showing my new design;
 FIG. 9 is a front view thereof;
 FIG. 10 is a rear view thereof;
 FIG. 11 is a left side view thereof;
 FIG. 12 is a right view thereof;
 FIG. 13 is a top view thereof; and,
 FIG. 14 is a bottom view thereof.
 The broken lines illustrate portions of the freezers and form no part of the claimed design.

1 Claim, 12 Drawing Sheets



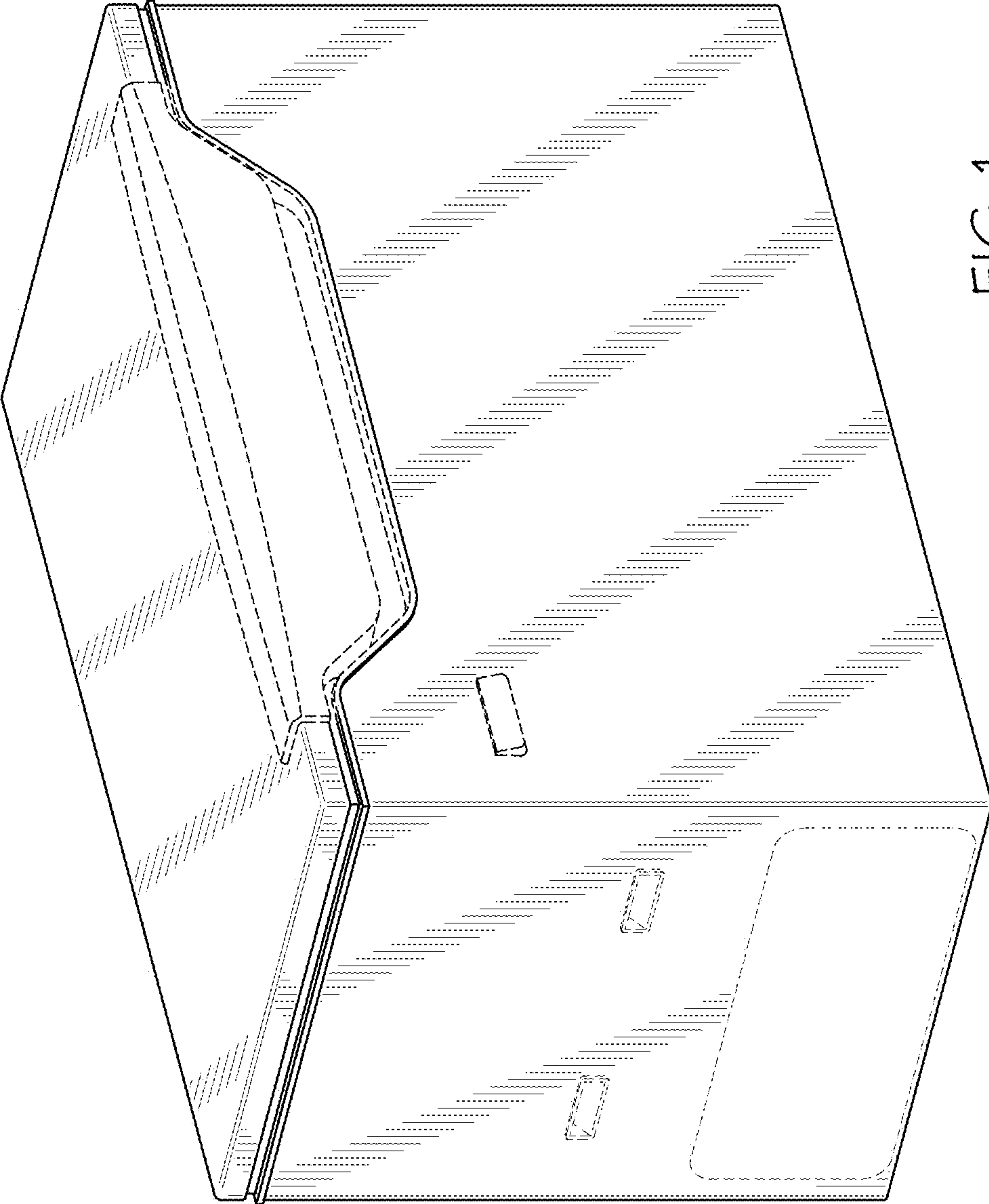


FIG. 1

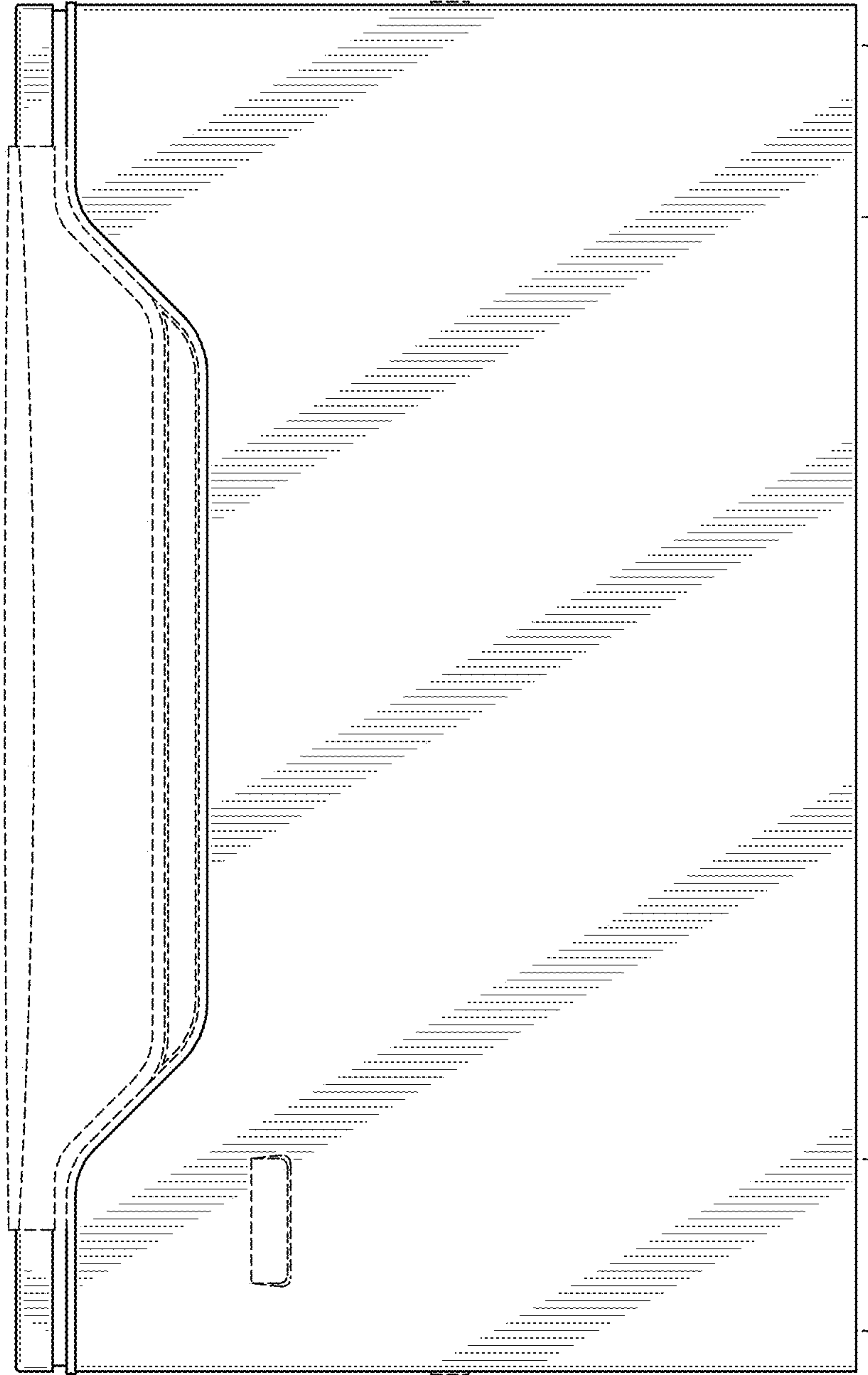


FIG. 2

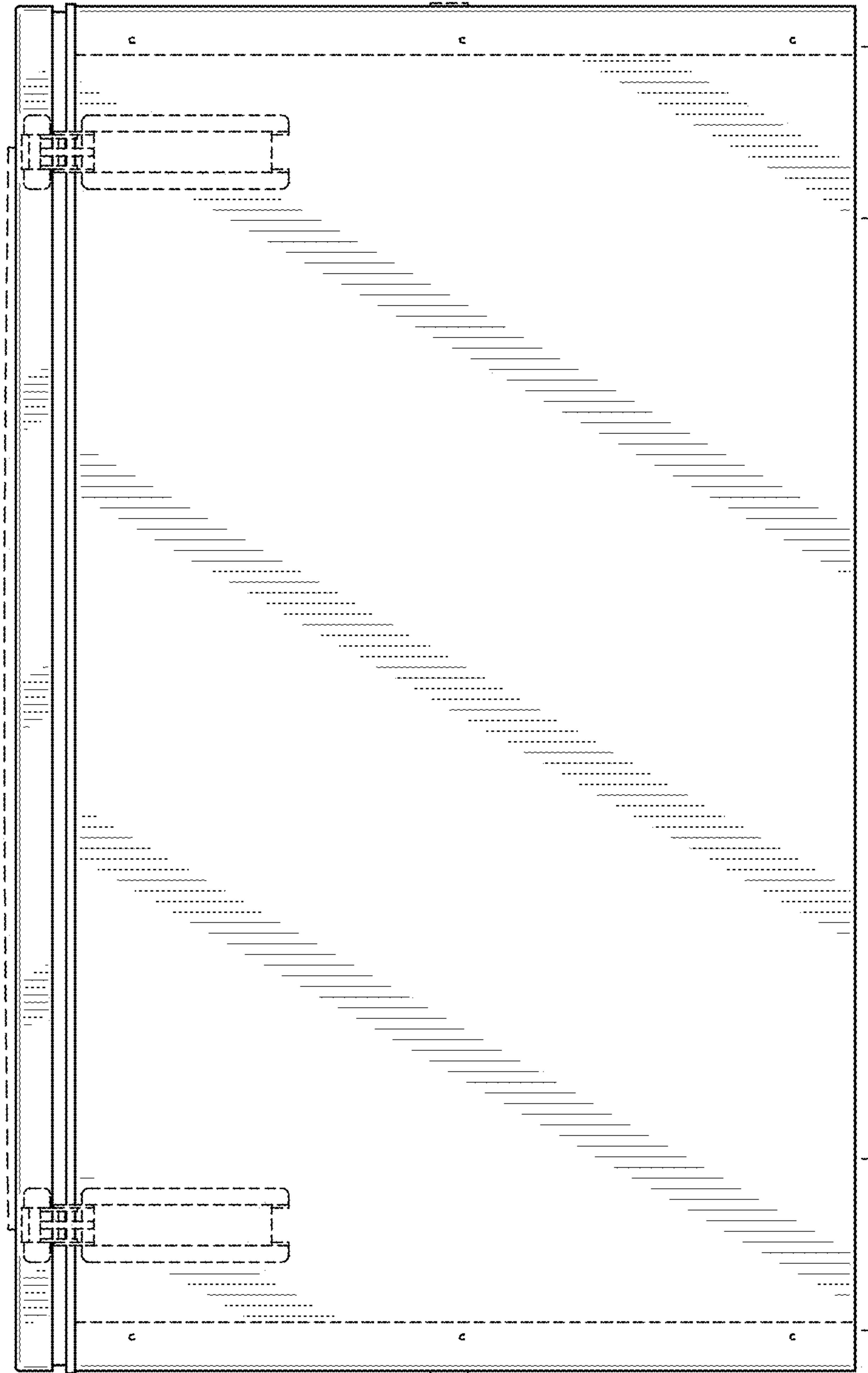


FIG. 3

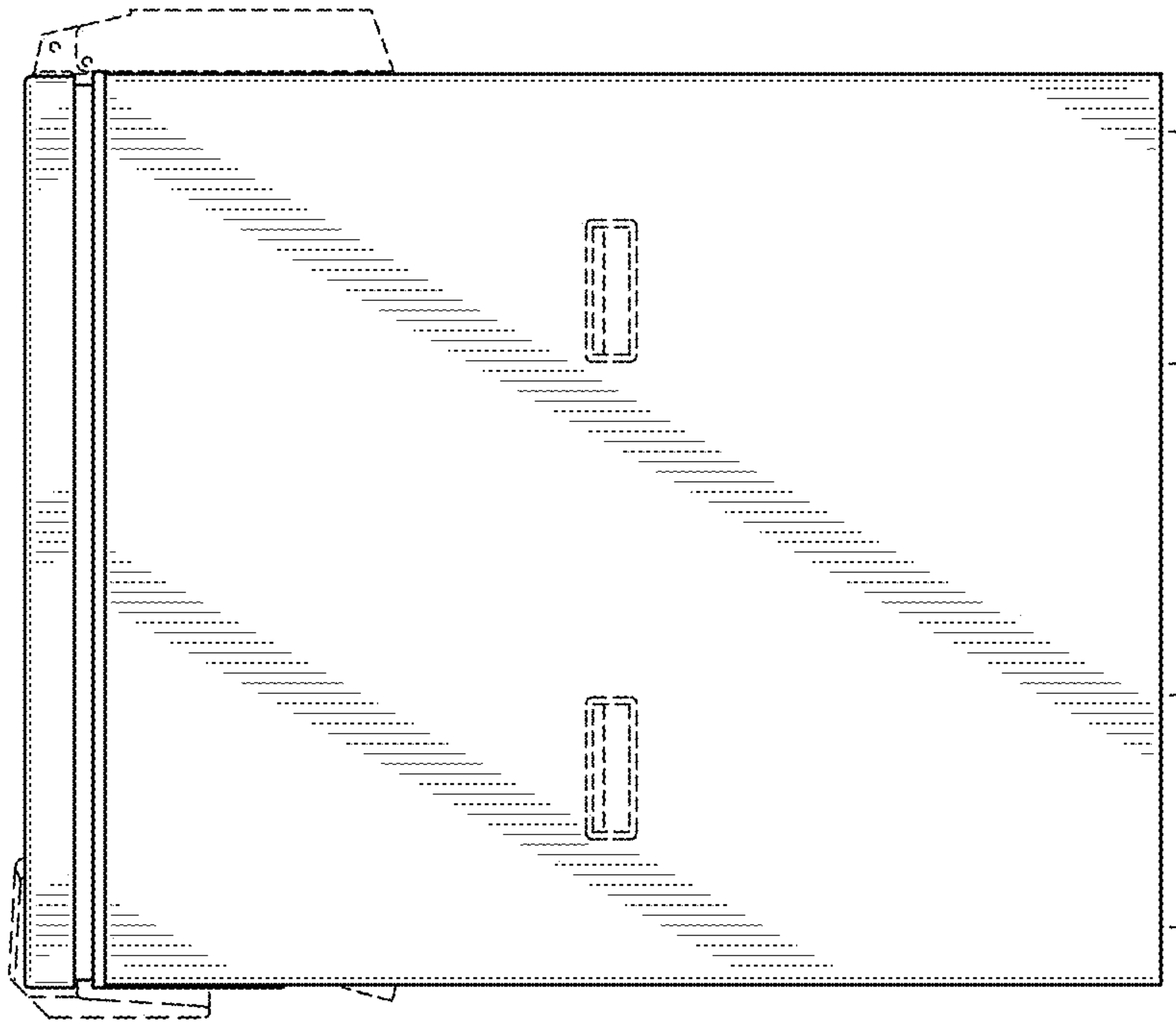


FIG. 5

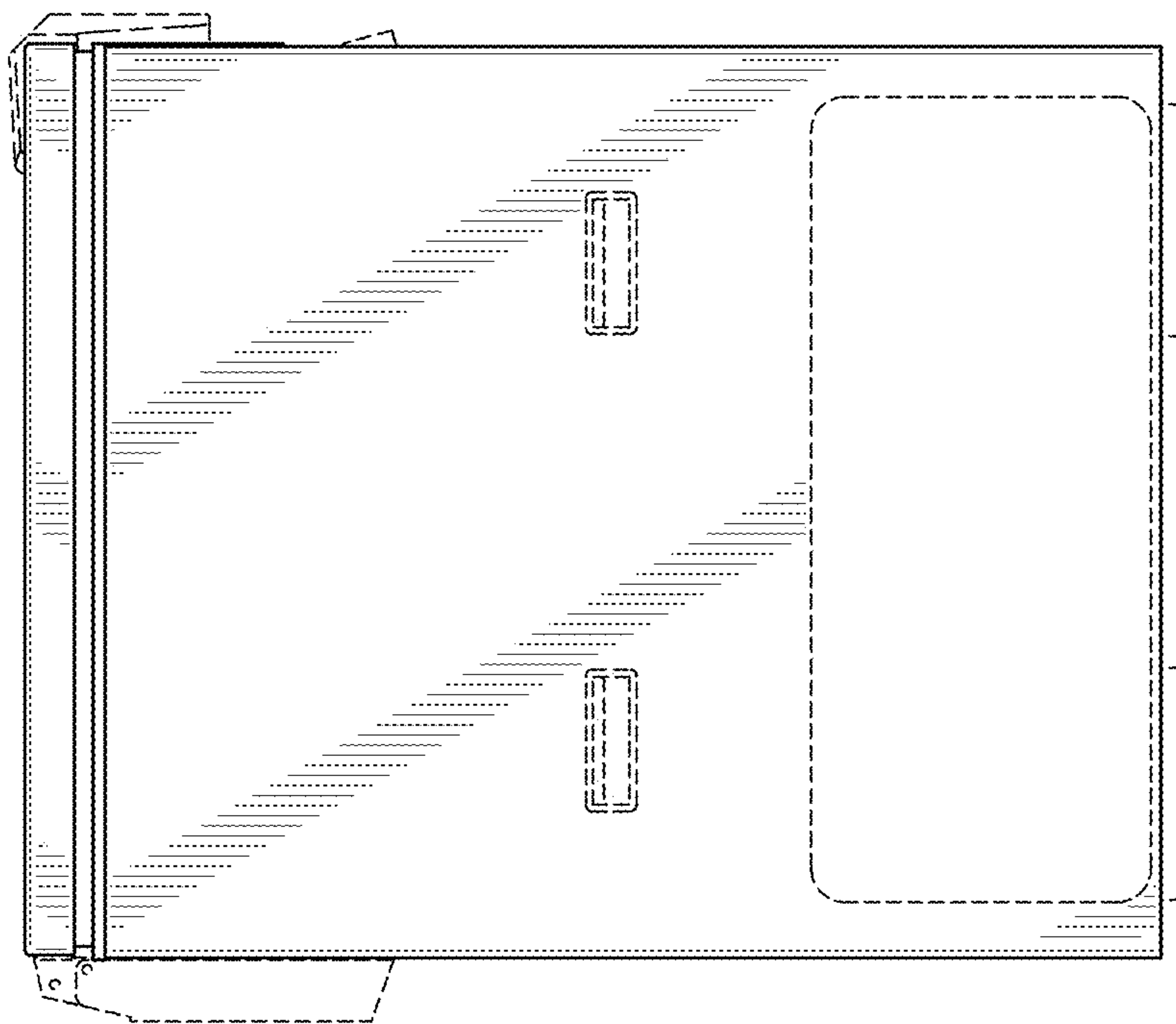


FIG. 4

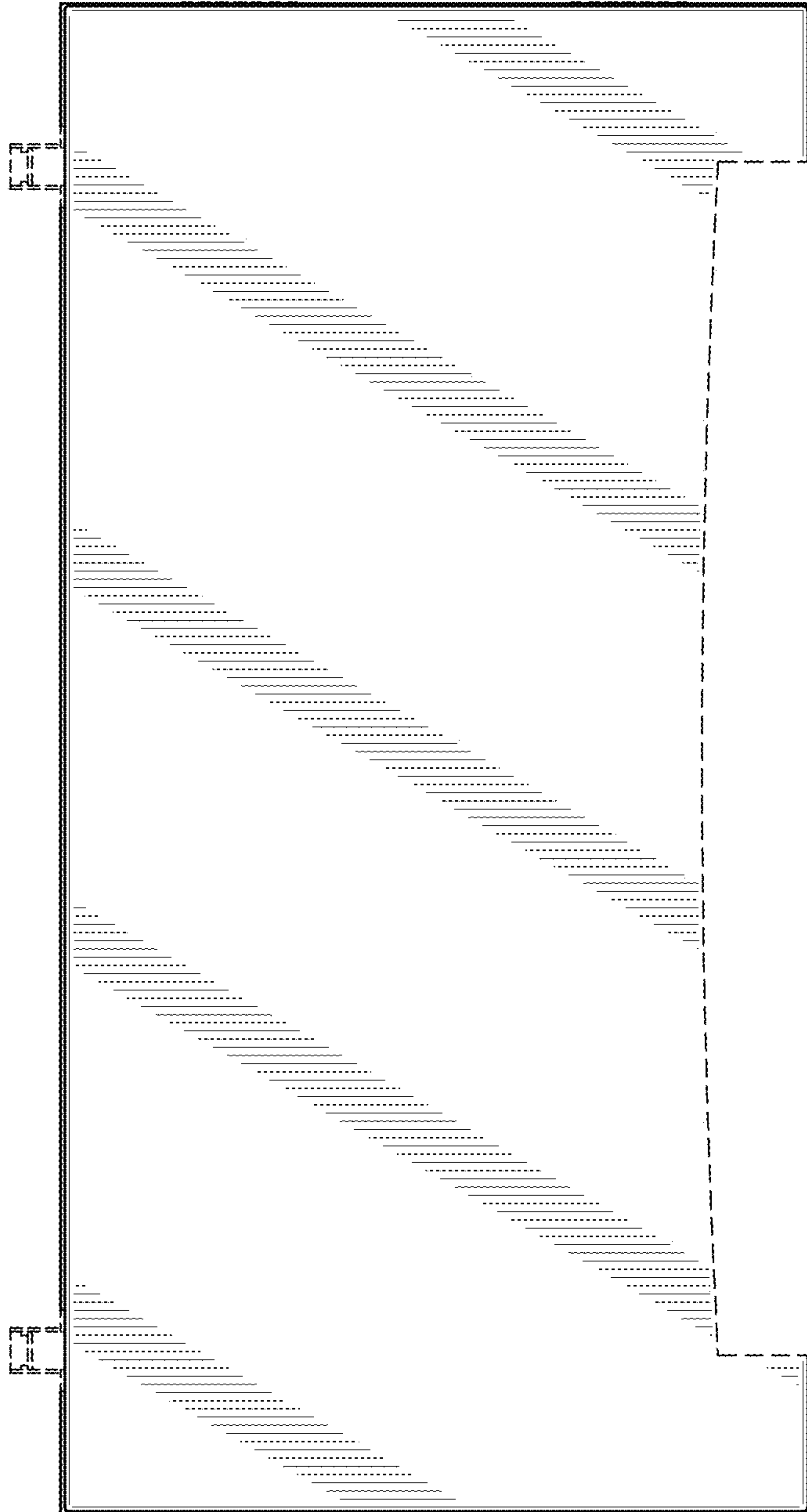


FIG. 6

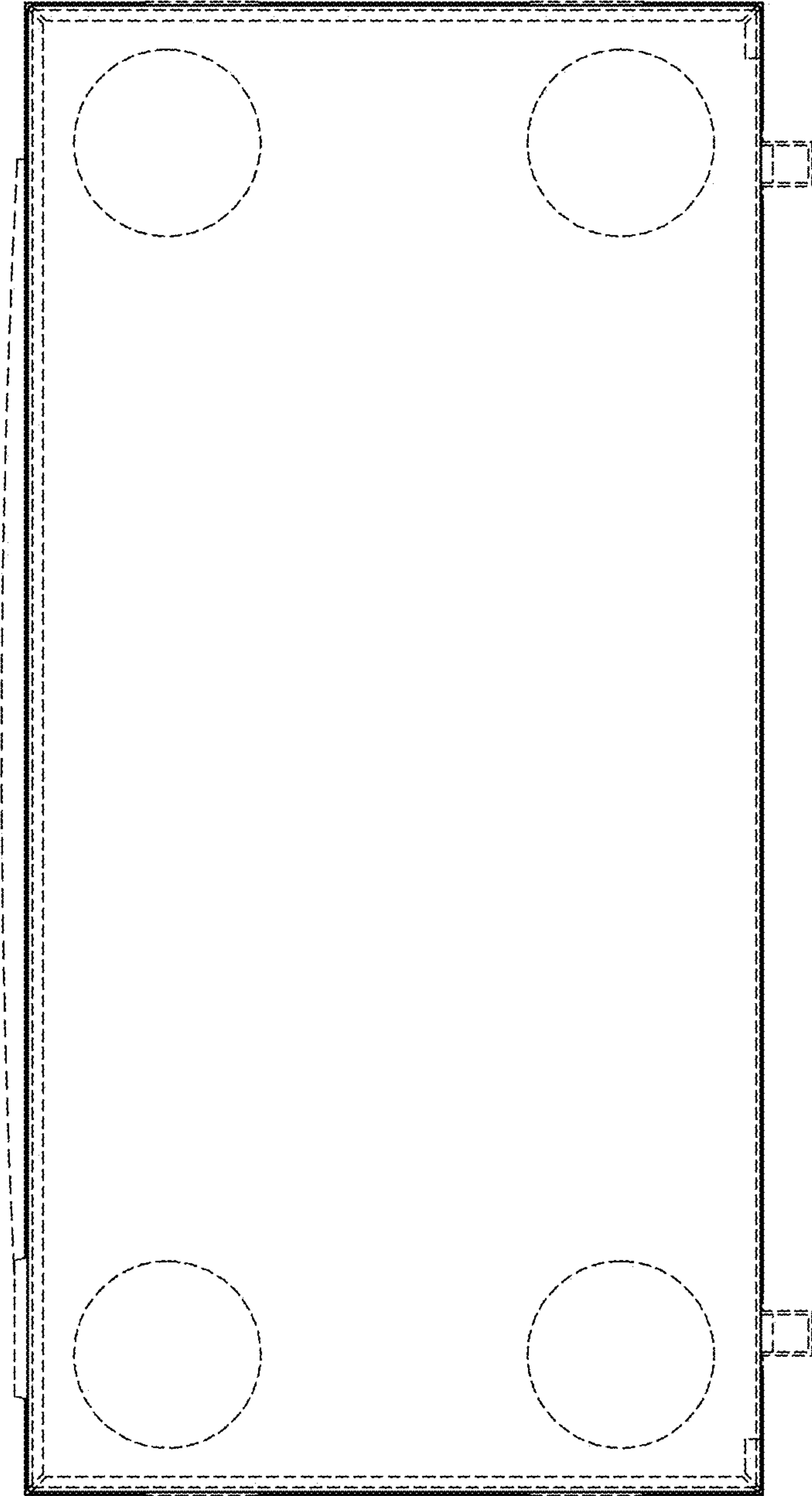


FIG. 7

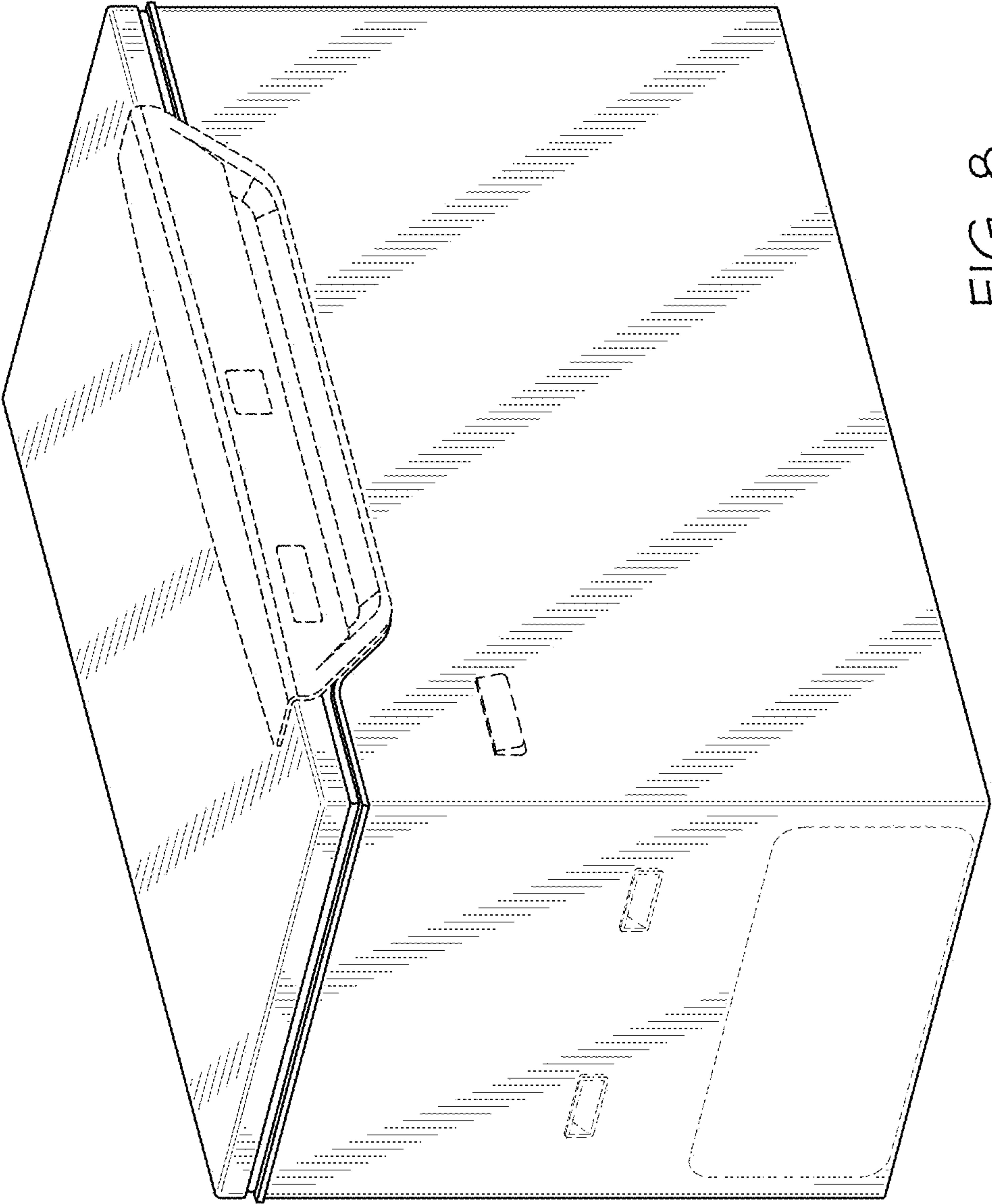


FIG. 8

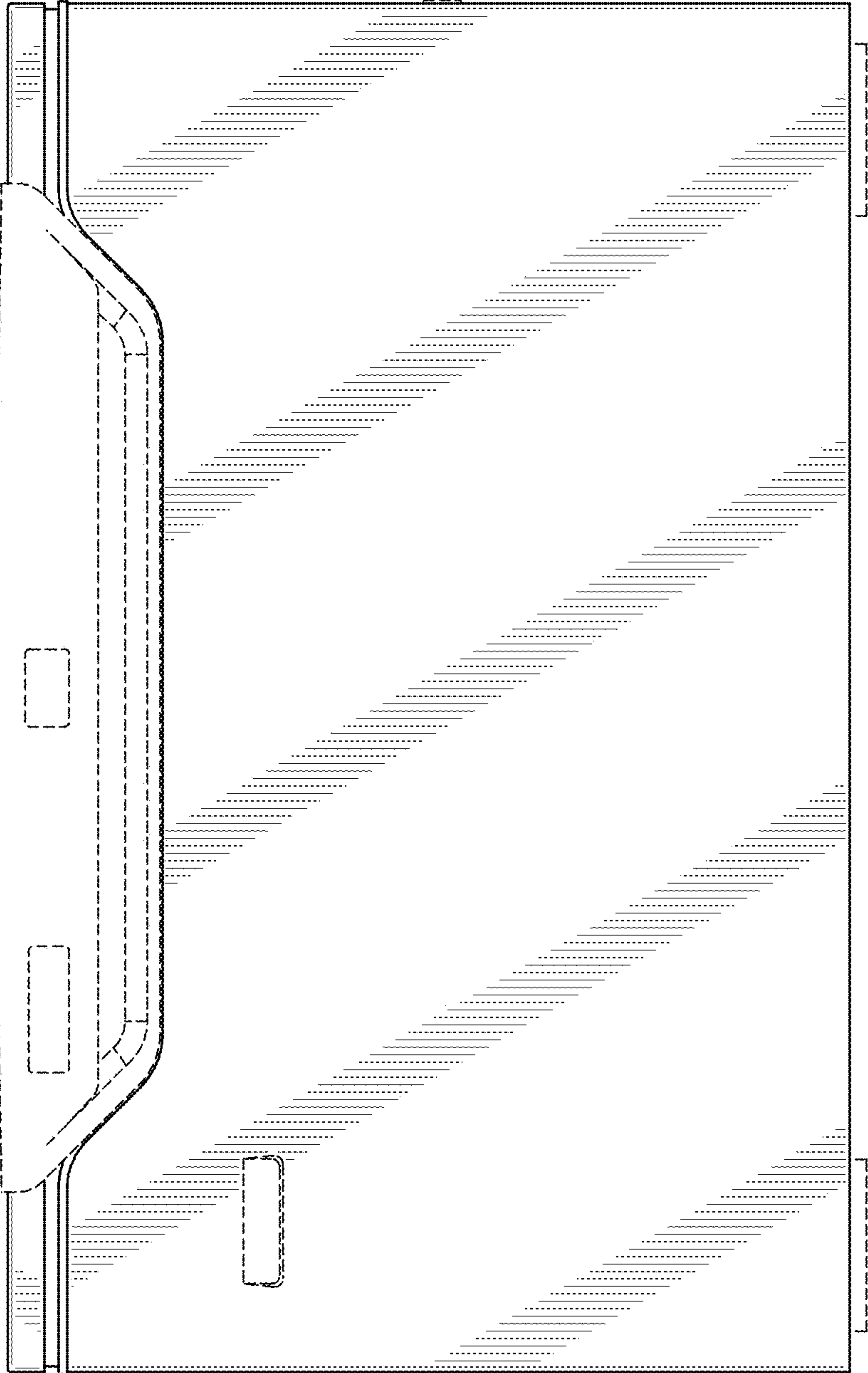


FIG. 9

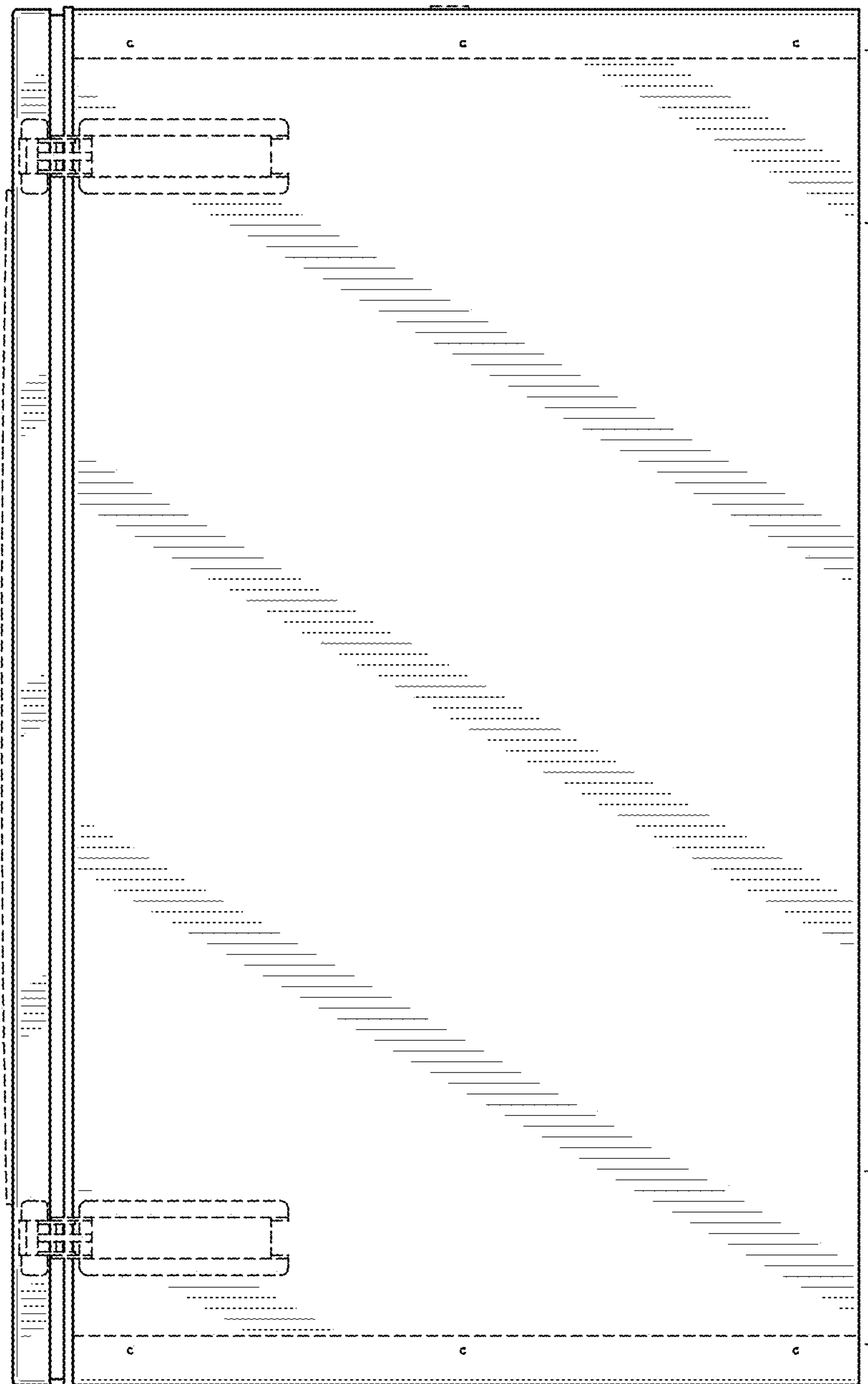


FIG. 10

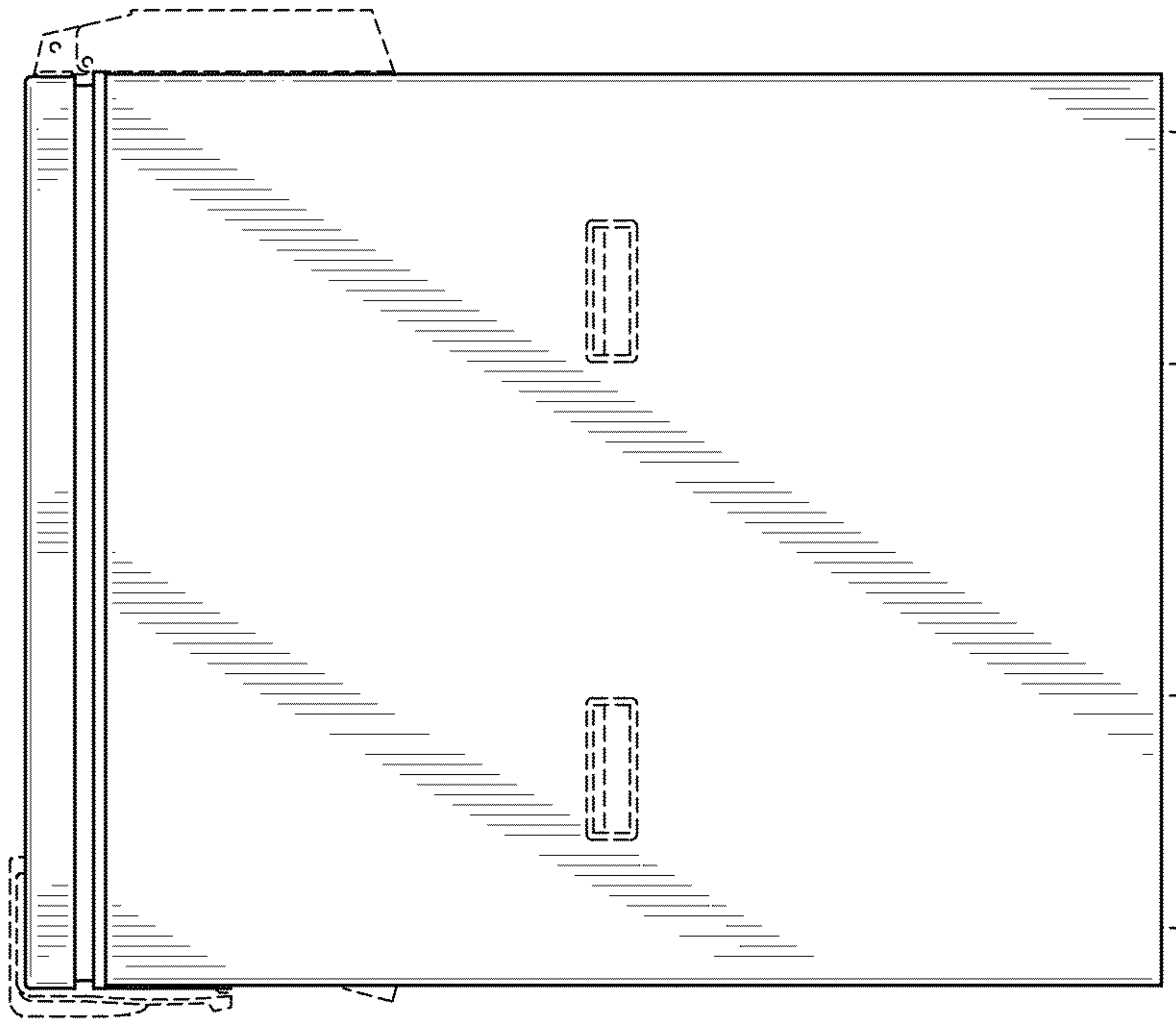


FIG. 11

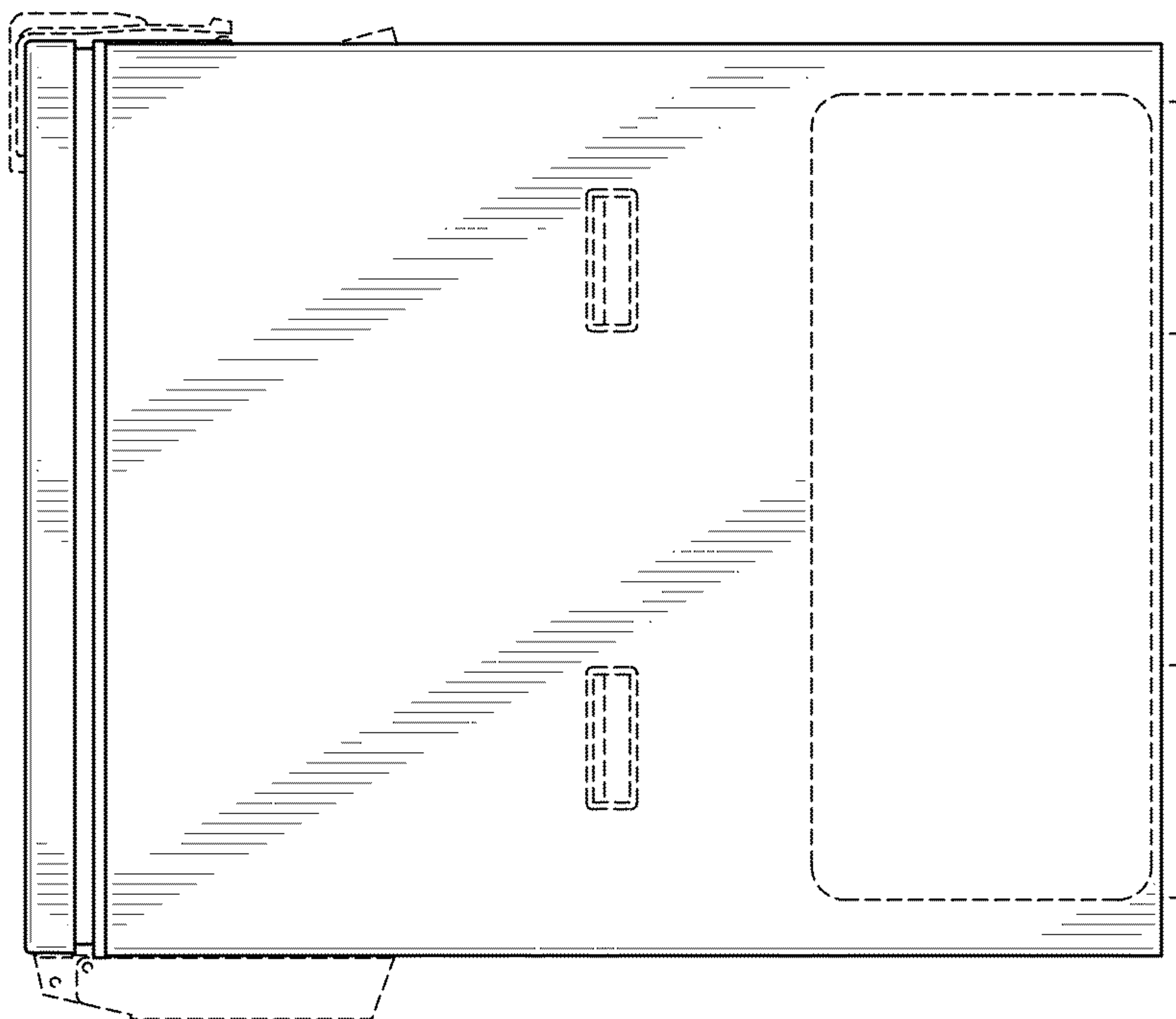


FIG. 12

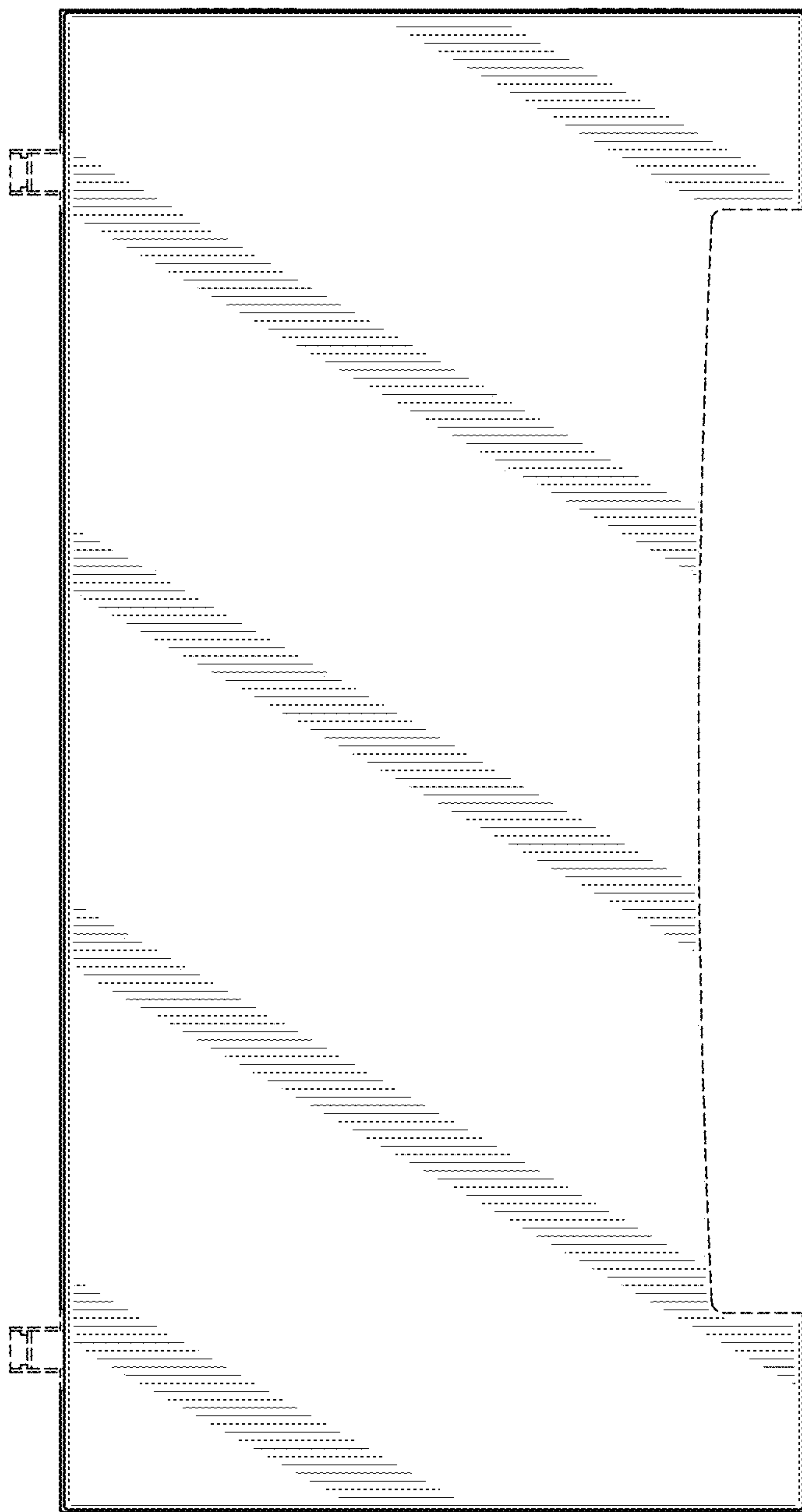


FIG. 13

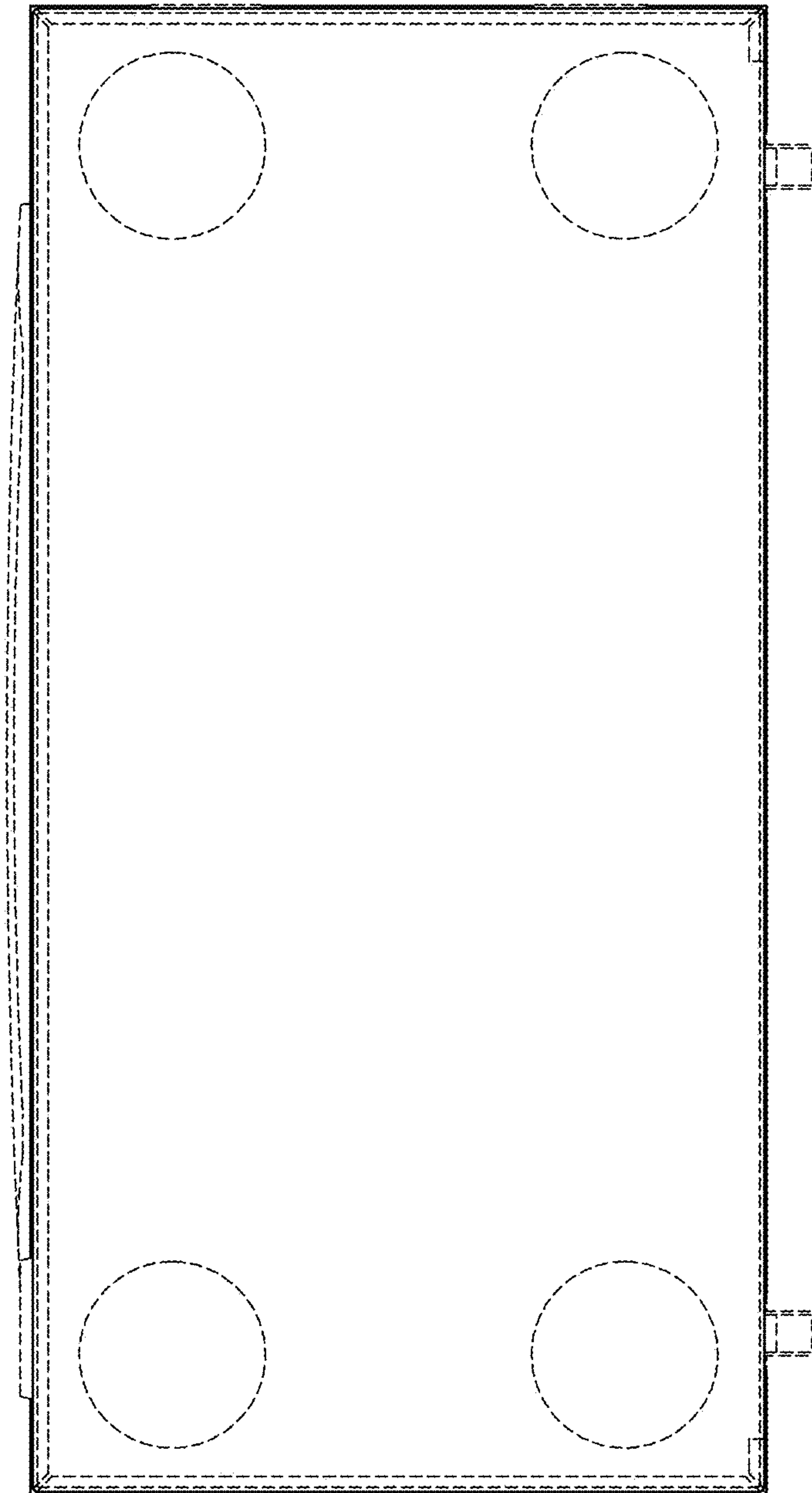


FIG. 14