



US00D689529S

(12) **United States Design Patent**  
**Hagura et al.**

(10) **Patent No.:** **US D689,529 S**

(45) **Date of Patent:** **\*\* Sep. 10, 2013**

(54) **CONSOLE FOR CONSTRUCTION MACHINE**

(71) Applicant: **Hitachi Construction Machinery Co., Ltd.**, Tokyo (JP)

(72) Inventors: **Shigehisa Hagura**, Akishima (JP); **Tomoyuki Miyata**, Kodaira (JP); **Shogo Kimura**, Ritto (JP); **Tomoyuki Tanaka**, Yasu (JP); **Hiroshi Tabeta**, Konan (JP); **Yasuo Ooshima**, Sakai (JP); **Hiroki Tanaka**, Yuki (JP)

(73) Assignee: **Hitachi Construction Machinery Co., Ltd.**, Tokyo (JP)

(\*\*) Term: **14 Years**

(21) Appl. No.: **29/436,672**

(22) Filed: **Nov. 8, 2012**

(30) **Foreign Application Priority Data**

May 10, 2012 (JP) ..... 2012-010814

(51) **LOC (9) Cl.** ..... **15-03**

(52) **U.S. Cl.**  
USPC ..... **D15/28**

(58) **Field of Classification Search**  
USPC ..... D15/17, 22-26, 28, 31, 33; D12/192, D12/419, 421; 180/69.2, 69.21, 69.24, 90; 296/70, 32, 72, 191, 192, 193.03  
See application file for complete search history.

(56) **References Cited**

**U.S. PATENT DOCUMENTS**

4,478,308 A \* 10/1984 Klaassen ..... 180/326  
4,702,520 A \* 10/1987 Whisler et al. .... 297/411.36  
D331,932 S \* 12/1992 Lenski et al. .... D15/28  
5,595,091 A \* 1/1997 Garman et al. .... 74/523  
D420,685 S \* 2/2000 Muranen ..... D15/30

D427,207 S \* 6/2000 Altmann et al. .... D15/28  
D432,491 S \* 10/2000 Sacco et al. .... D12/419  
6,148,946 A \* 11/2000 Takahasi et al. .... 180/316  
6,164,285 A \* 12/2000 Garberg et al. .... 180/326  
6,267,195 B1 \* 7/2001 Takahasi et al. .... 180/316  
6,290,286 B1 \* 9/2001 Murakami et al. .... 296/190.09  
6,352,133 B1 \* 3/2002 Ojima ..... 180/326  
D463,459 S \* 9/2002 Tamaru et al. .... D15/28  
6,450,284 B1 \* 9/2002 Sakyo et al. .... 180/329  
D499,121 S \* 11/2004 Masalin ..... D15/28  
6,971,194 B2 \* 12/2005 McClelland et al. .... 37/347  
D513,415 S \* 1/2006 Klein et al. .... D15/30  
D516,096 S \* 2/2006 Bergman et al. .... D15/28  
D516,097 S \* 2/2006 Bergman et al. .... D15/28  
7,036,250 B2 \* 5/2006 Dressler et al. .... 37/466  
D532,427 S \* 11/2006 Kim ..... D15/28  
D555,676 S \* 11/2007 Haubrich et al. .... D15/28  
D566,132 S \* 4/2008 Mack ..... D15/11  
7,395,894 B2 \* 7/2008 Jang et al. .... 180/271

(Continued)

**FOREIGN PATENT DOCUMENTS**

JP D 1228374 S 1/2005

*Primary Examiner* — Mark Goodwin

(74) *Attorney, Agent, or Firm* — Antonelli, Terry, Stout & Kraus, LLP.

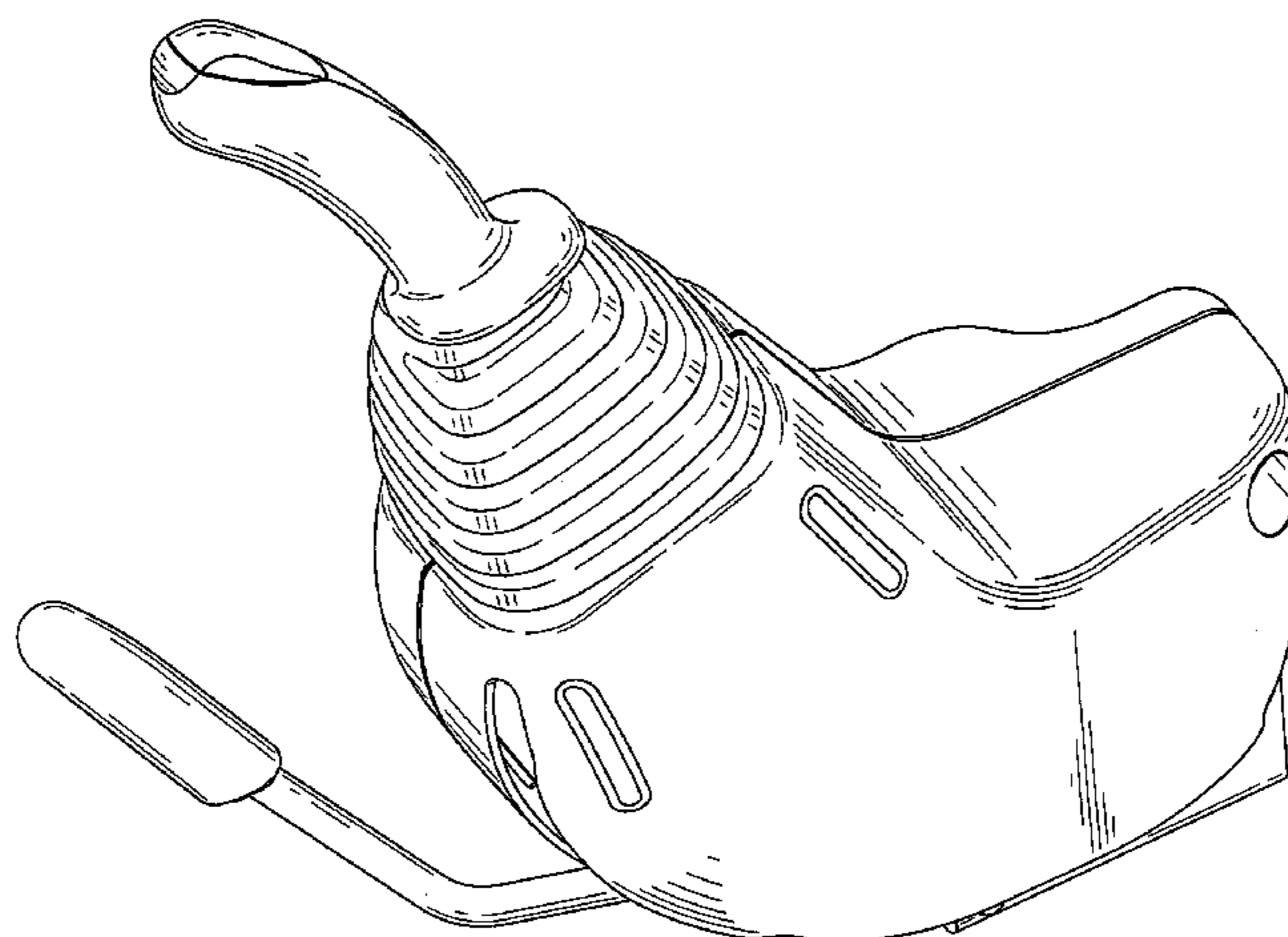
(57) **CLAIM**

We claim the ornamental design for a console for construction machine, as shown.

**DESCRIPTION**

FIG. 1 is a front, top and left side perspective view of a console for construction machine showing our new design; FIG. 2 is a front elevational view thereof; FIG. 3 is a rear elevational view thereof; FIG. 4 is a left side elevational view thereof; FIG. 5 is a right side elevational view thereof; FIG. 6 is a top plan view thereof; and, FIG. 7 is a bottom plan view thereof.

**1 Claim, 5 Drawing Sheets**



(56)

**References Cited**

U.S. PATENT DOCUMENTS

D590,848 S \* 4/2009 Umeda et al. .... D15/28  
D593,134 S \* 5/2009 Kuwae et al. .... D15/28  
D595,744 S \* 7/2009 Umeda et al. .... D15/28  
D599,829 S \* 9/2009 Jorgensen et al. .... D15/28  
D606,100 S \* 12/2009 Kobayashi et al. .... D15/28  
D636,410 S \* 4/2011 Ono et al. .... D15/28

D652,063 S \* 1/2012 Takeuchi et al. .... D15/28  
8,104,566 B2 \* 1/2012 Harber et al. .... 180/315  
8,146,704 B2 \* 4/2012 Ruhter et al. .... 180/326  
8,360,193 B2 \* 1/2013 Harber et al. .... 180/320  
2005/0073184 A1 \* 4/2005 Tsuji et al. .... 297/284.1  
2008/0184841 A1 \* 8/2008 Blind et al. .... 74/491  
2012/0104798 A1 \* 5/2012 Takeda et al. .... 296/190.08

\* cited by examiner

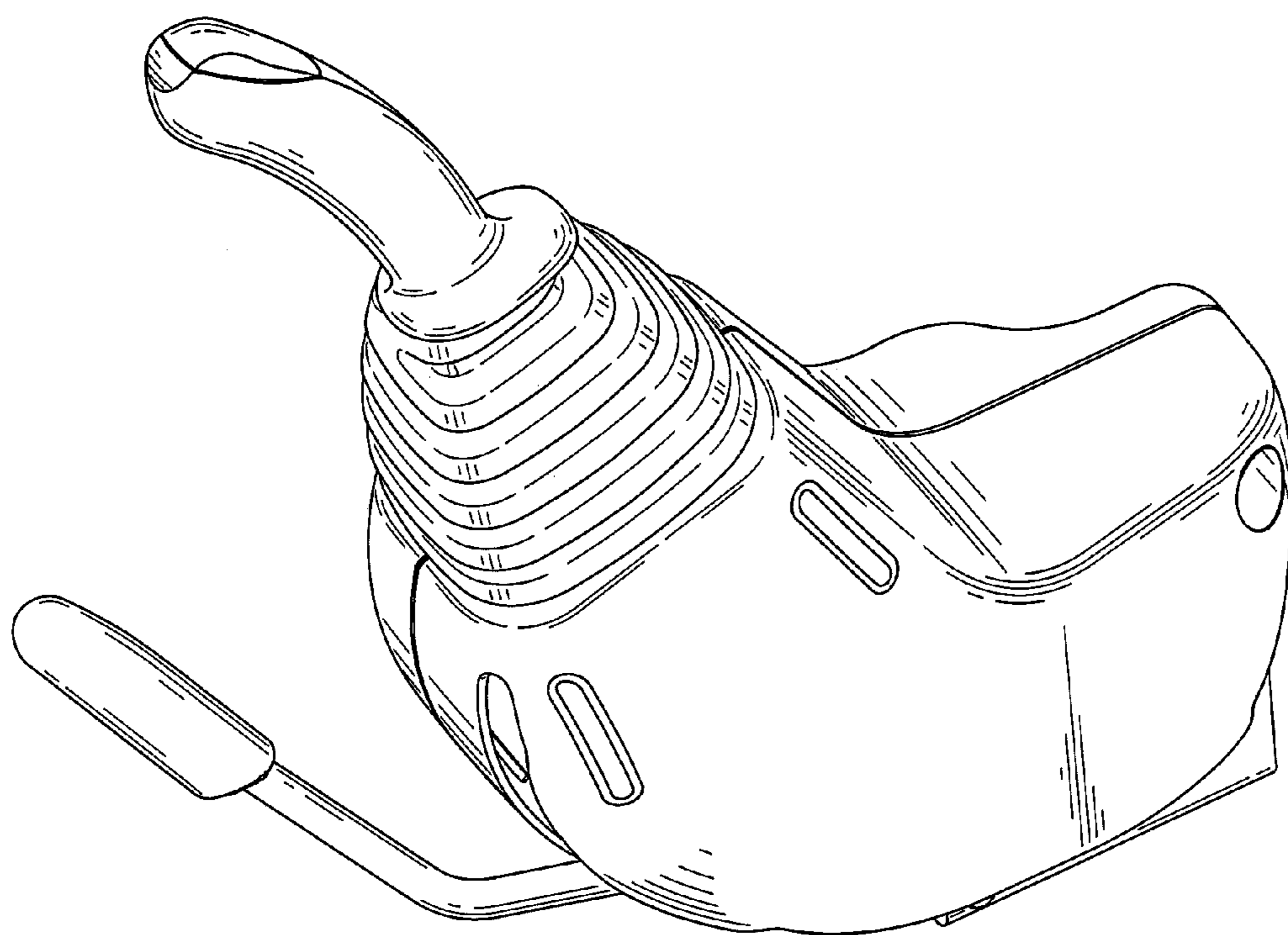
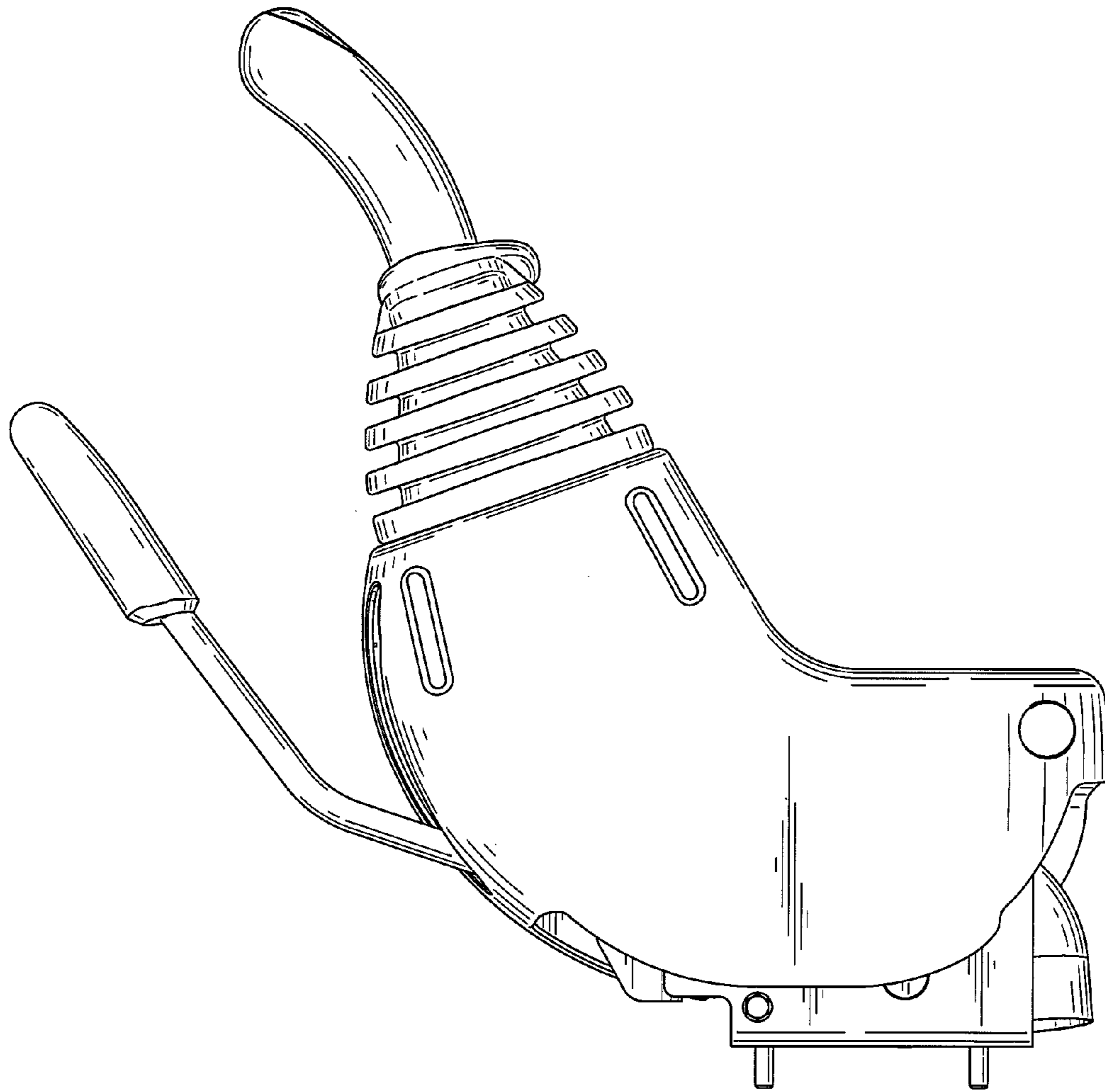


FIG. 1



**FIG. 2**

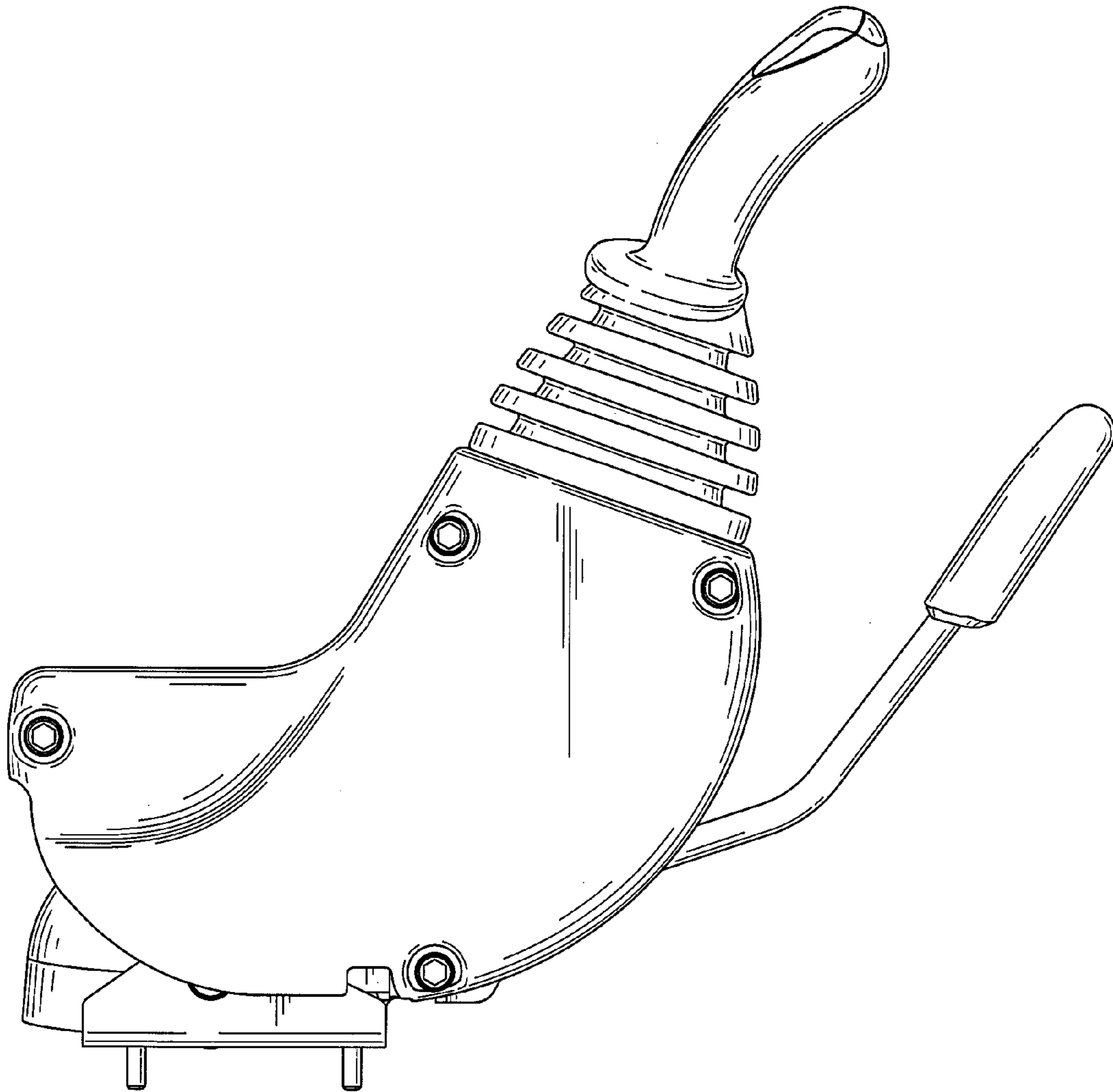


FIG. 3

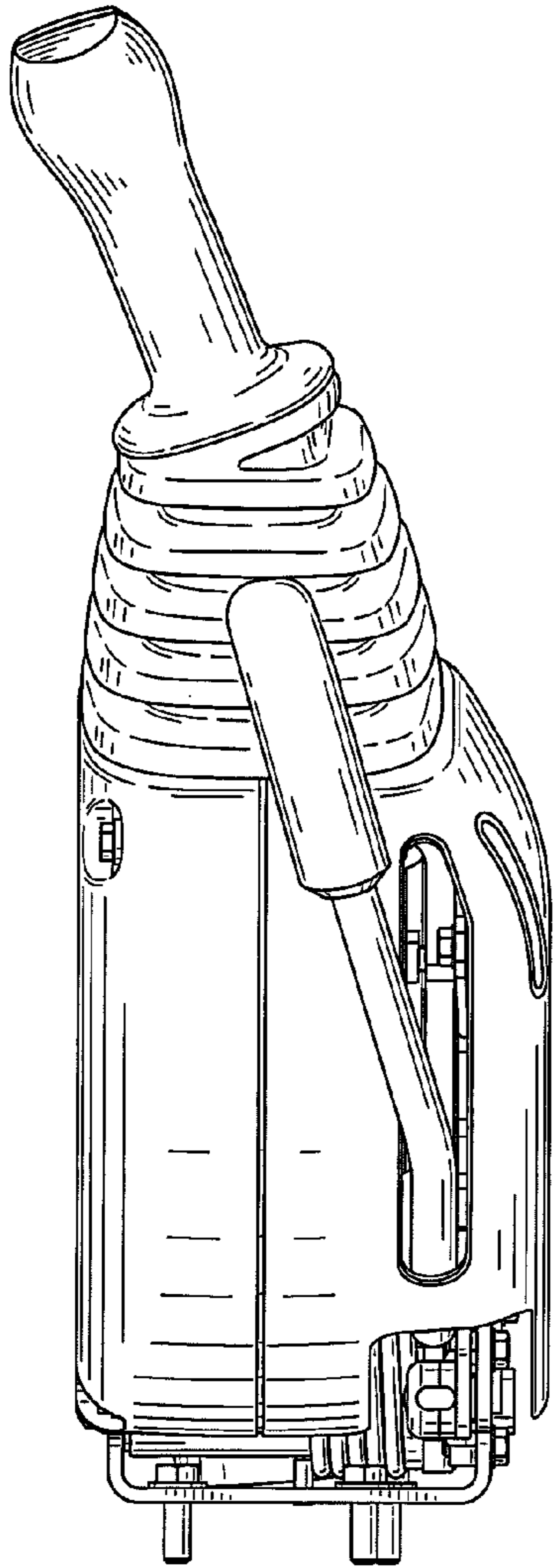


FIG. 4

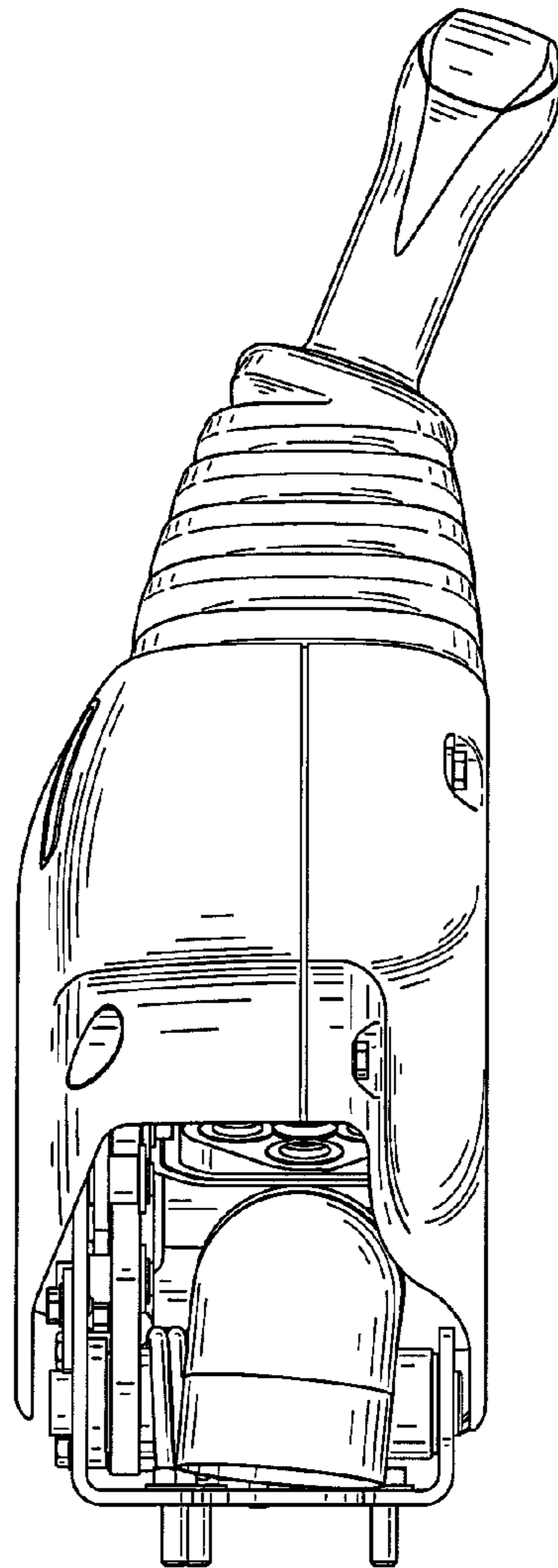


FIG. 5

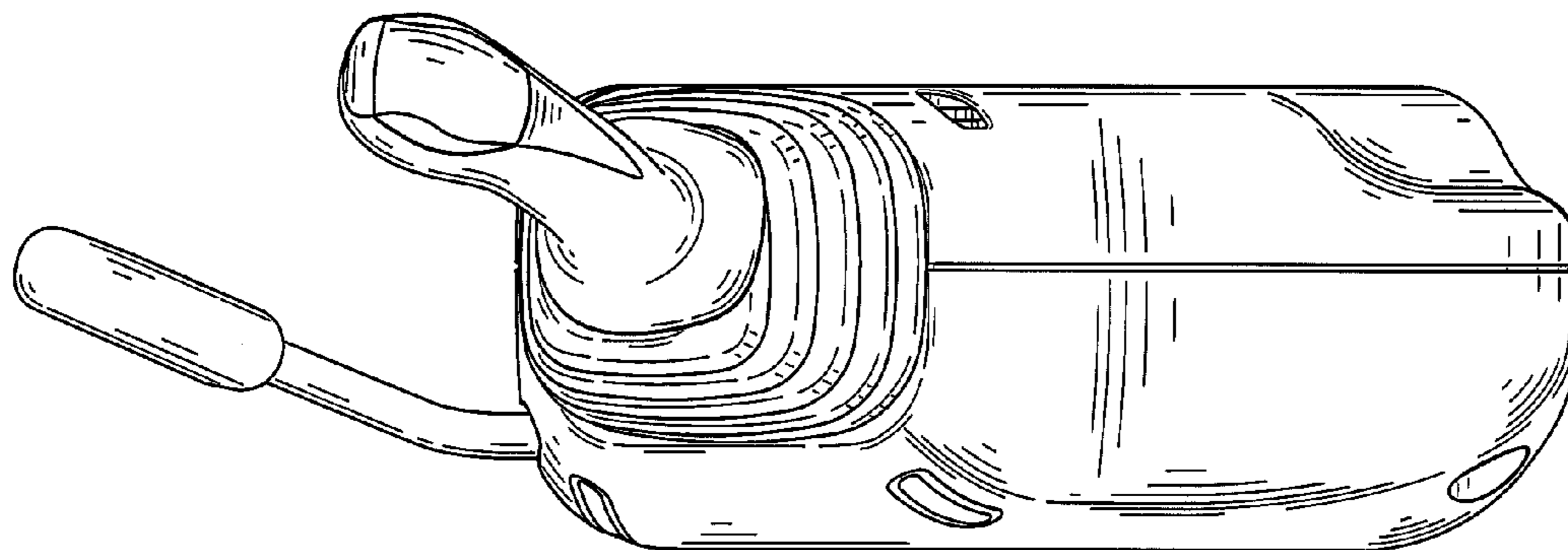


FIG. 6

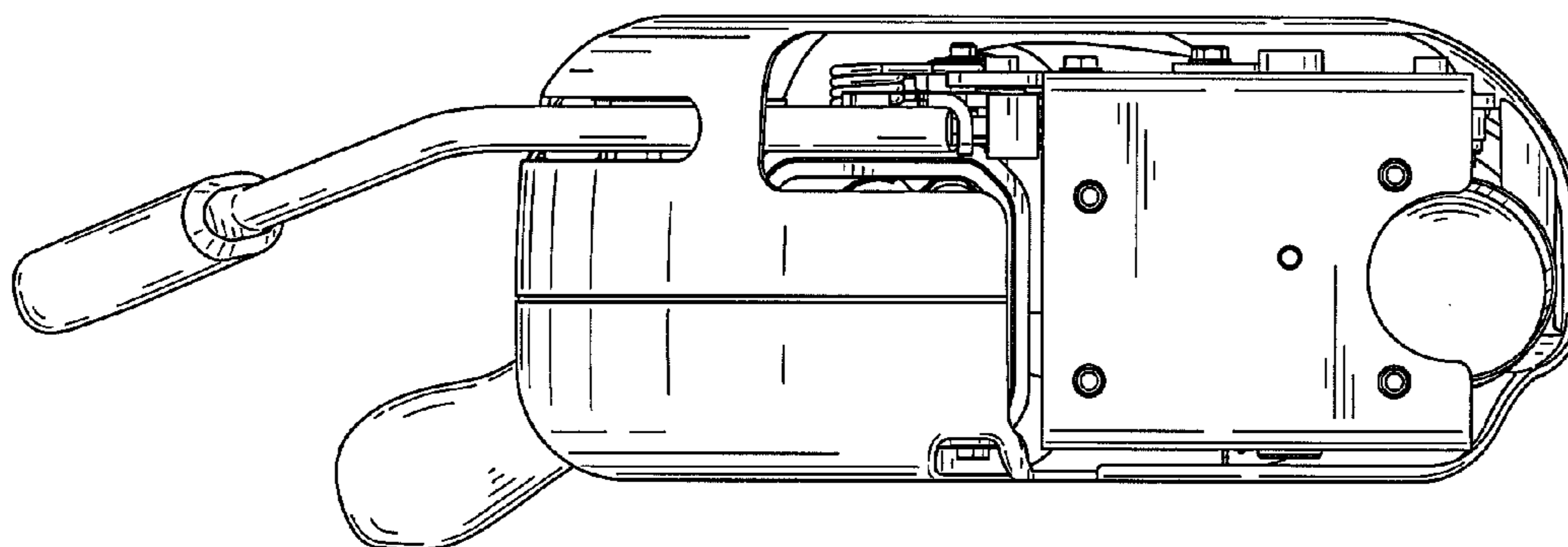


FIG. 7