



US00D689528S

(12) **United States Design Patent**
Richard et al.

(10) **Patent No.:** **US D689,528 S**

(45) **Date of Patent:** **** Sep. 10, 2013**

(54) **SHIELDING FOR A VEHICLE**

(75) Inventors: **Aaron Richard**, Berwyn, IL (US); **Carl J. Hagele**, The Villages, FL (US); **Richard J. Hagele**, legal representative, The Villages, FL (US); **Eric M. Jacobsthal**, Elmhurst, IL (US); **Jesse Gonzales**, Falls Church, VA (US)

(73) Assignee: **CNH America, LLC**, New Holland, PA (US)

(**) Term: **14 Years**

(21) Appl. No.: **29/430,098**

(22) Filed: **Aug. 21, 2012**

(51) **LOC (9) Cl.** **15-03**

(52) **U.S. Cl.**
USPC **D15/28**

(58) **Field of Classification Search**
USPC D15/10, 22-26, 28, 30, 31; 180/89.11, 180/89.12, 89.13, 89.19, 900; 296/190.01, 296/190.08, 210, 190, 202
See application file for complete search history.

(56) **References Cited**

U.S. PATENT DOCUMENTS

D273,494 S	4/1984	Hurlburt et al.	
D317,011 S	5/1991	Boddin et al.	
5,913,566 A	6/1999	Stauffer et al.	
D528,134 S	9/2006	Vandendriessche et al.	
D531,647 S *	11/2006	Stender et al.	D15/30
D541,825 S *	5/2007	Pettersson	D15/30
D541,826 S *	5/2007	Brush et al.	D15/30
D561,205 S *	2/2008	Pettersson	D15/30

D579,028 S *	10/2008	VanDeVeer et al.	D15/30
D603,881 S *	11/2009	Tamplain et al.	D15/30
D605,207 S *	12/2009	Menges et al.	D15/30
D660,881 S *	5/2012	Bohme et al.	D15/30
D667,851 S *	9/2012	Warr	D15/30

* cited by examiner

Primary Examiner — Mark Goodwin

(74) *Attorney, Agent, or Firm* — Patrick M. Sheldrake

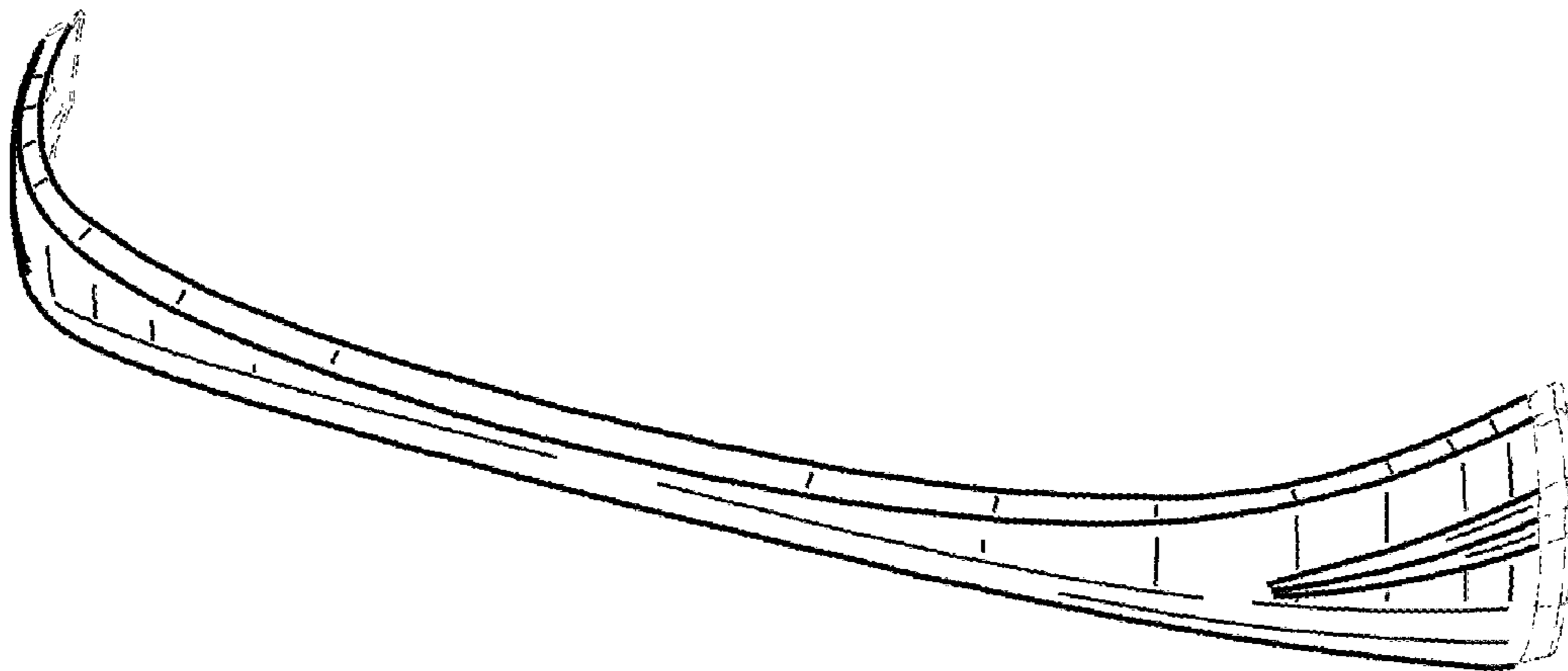
(57) **CLAIM**

We claim the ornamental design for the shielding for a vehicle, as shown and described.

DESCRIPTION

FIG. 1 is a front perspective view of shielding for a vehicle showing our new design;
FIG. 2 is a front view thereof;
FIG. 3 is a right side view thereof;
FIG. 4 is a left side view thereof;
FIG. 5 is a rear view thereof;
FIG. 6 is a top view thereof;
FIG. 7 is a bottom view thereof;
FIG. 8 is a perspective view of shielding for a vehicle shown in use condition mounted to a vehicle cab;
FIG. 9 is a front view thereof;
FIG. 10 is a right side view thereof;
FIG. 11 is a left side view thereof;
FIG. 12 is a rear view thereof;
FIG. 13 is a bottom view thereof; and,
FIG. 14 is a top view thereof.
The broken lines are for illustrative purposes only and show unclaimed environmental subject matter.

1 Claim, 10 Drawing Sheets



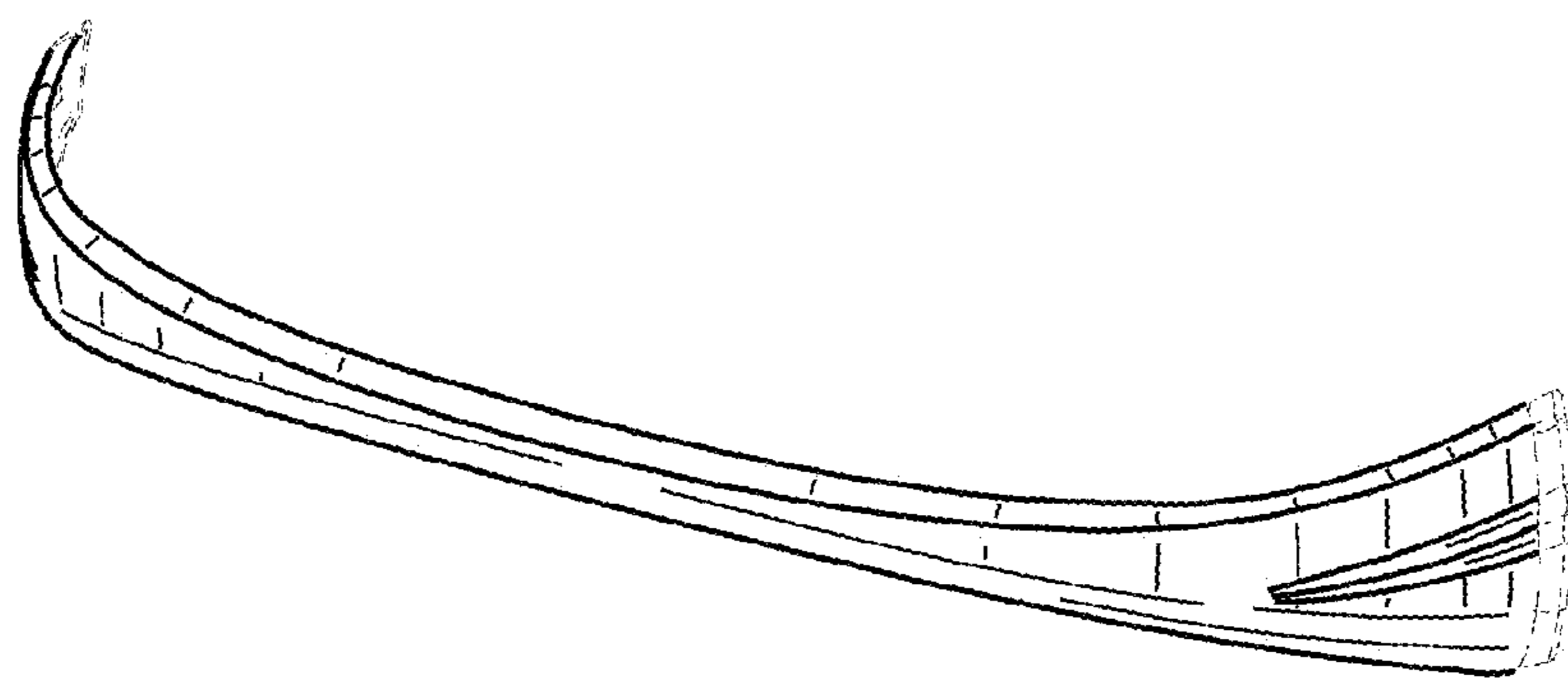


FIG. 1

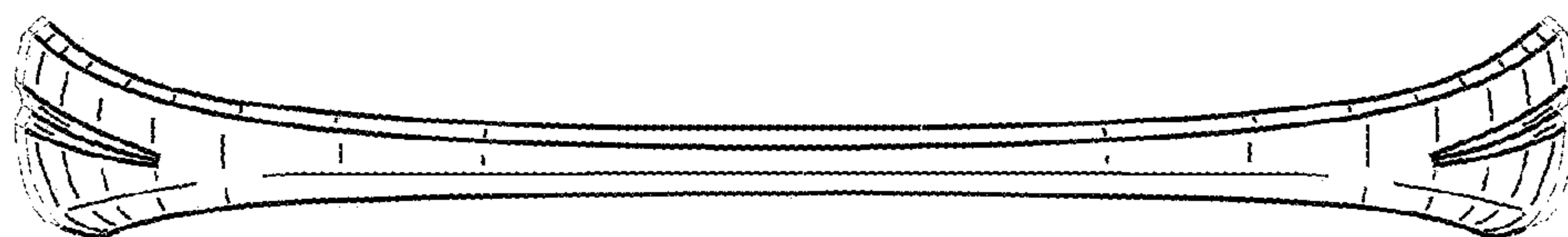


FIG. 2

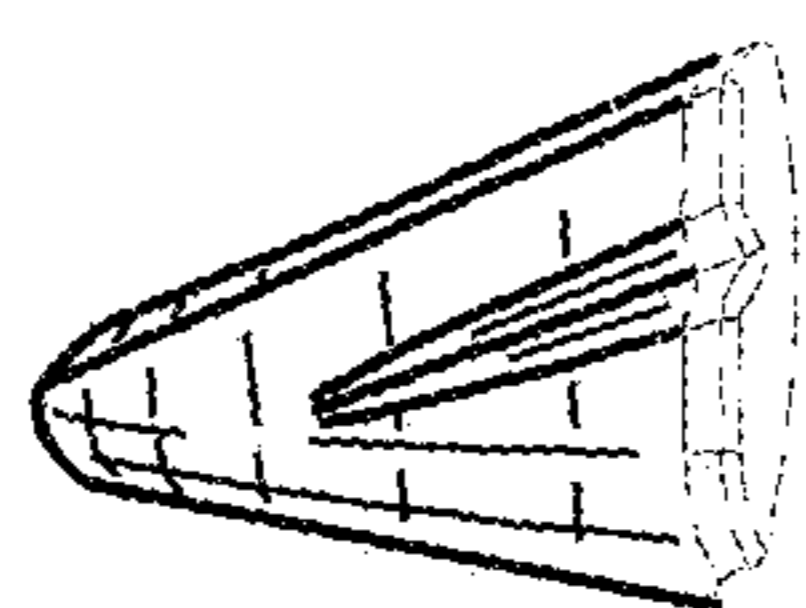


FIG. 3

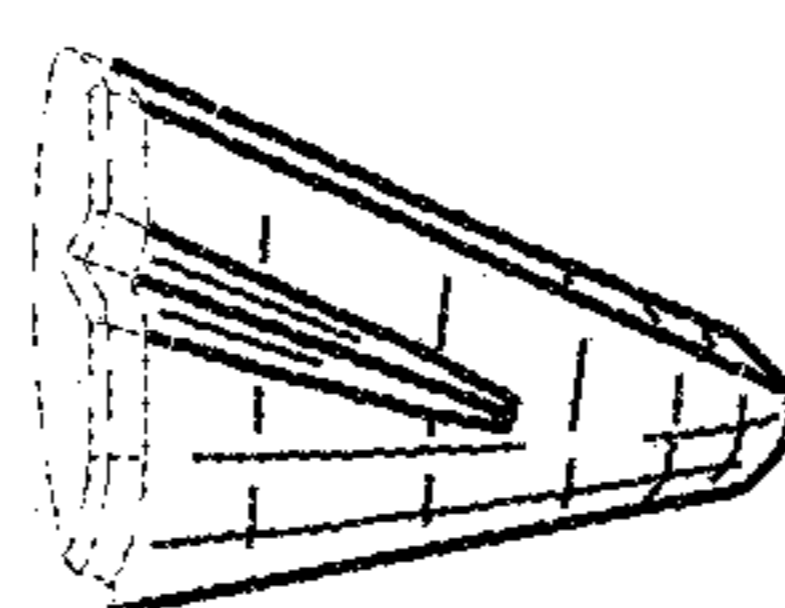


FIG. 4

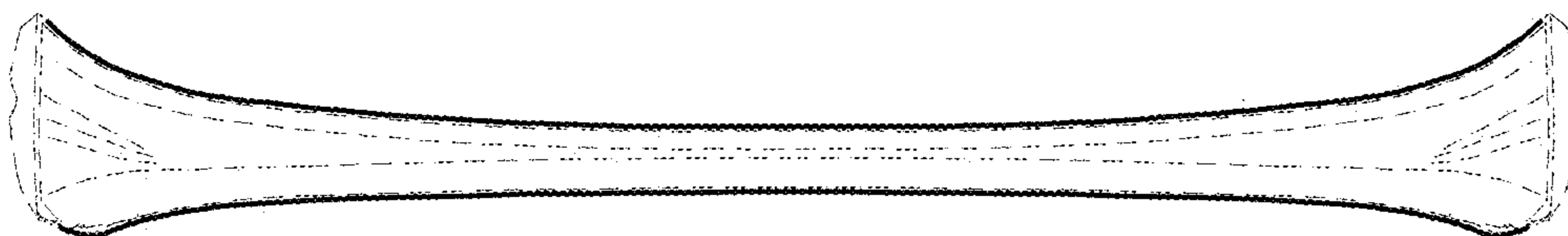


FIG. 5



FIG. 6

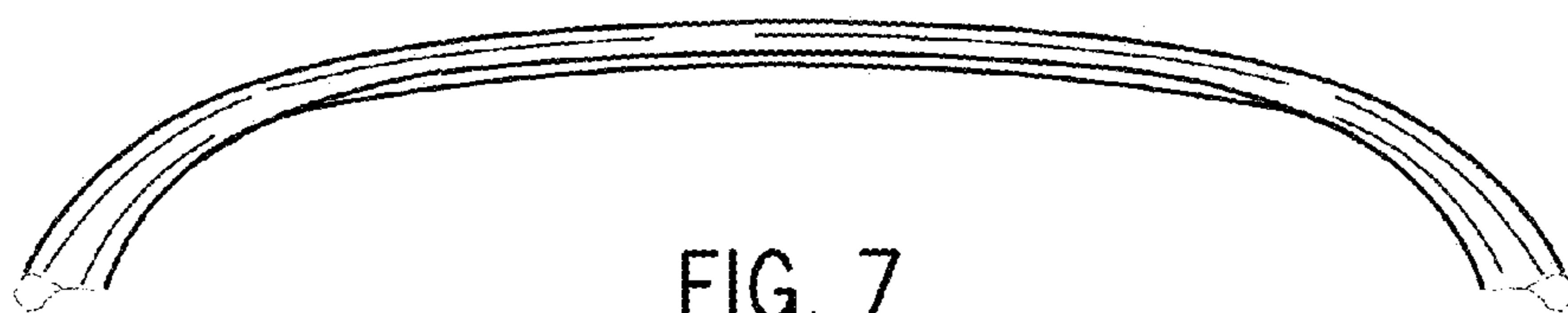


FIG. 7

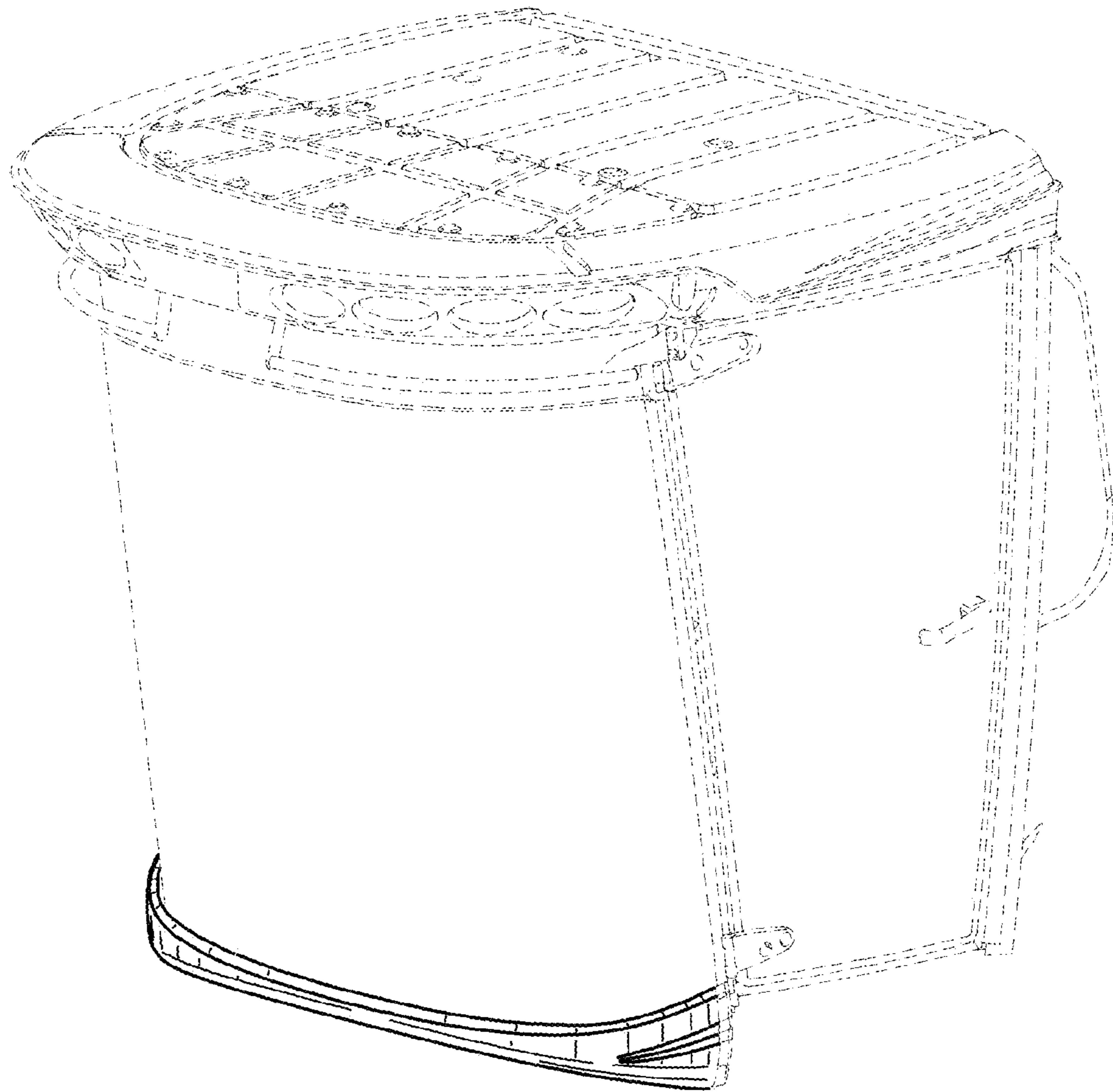


FIG. 8

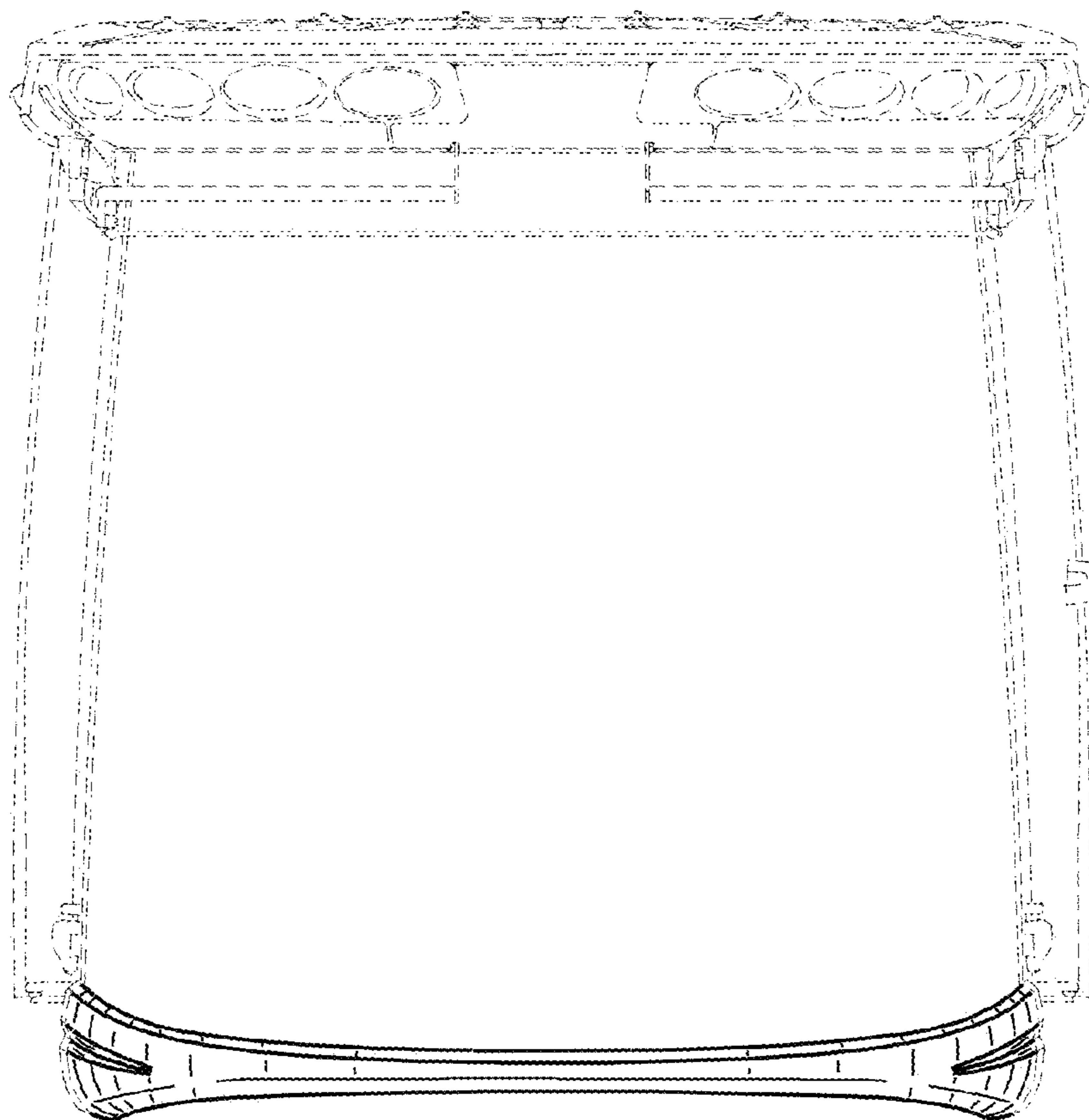


FIG. 9

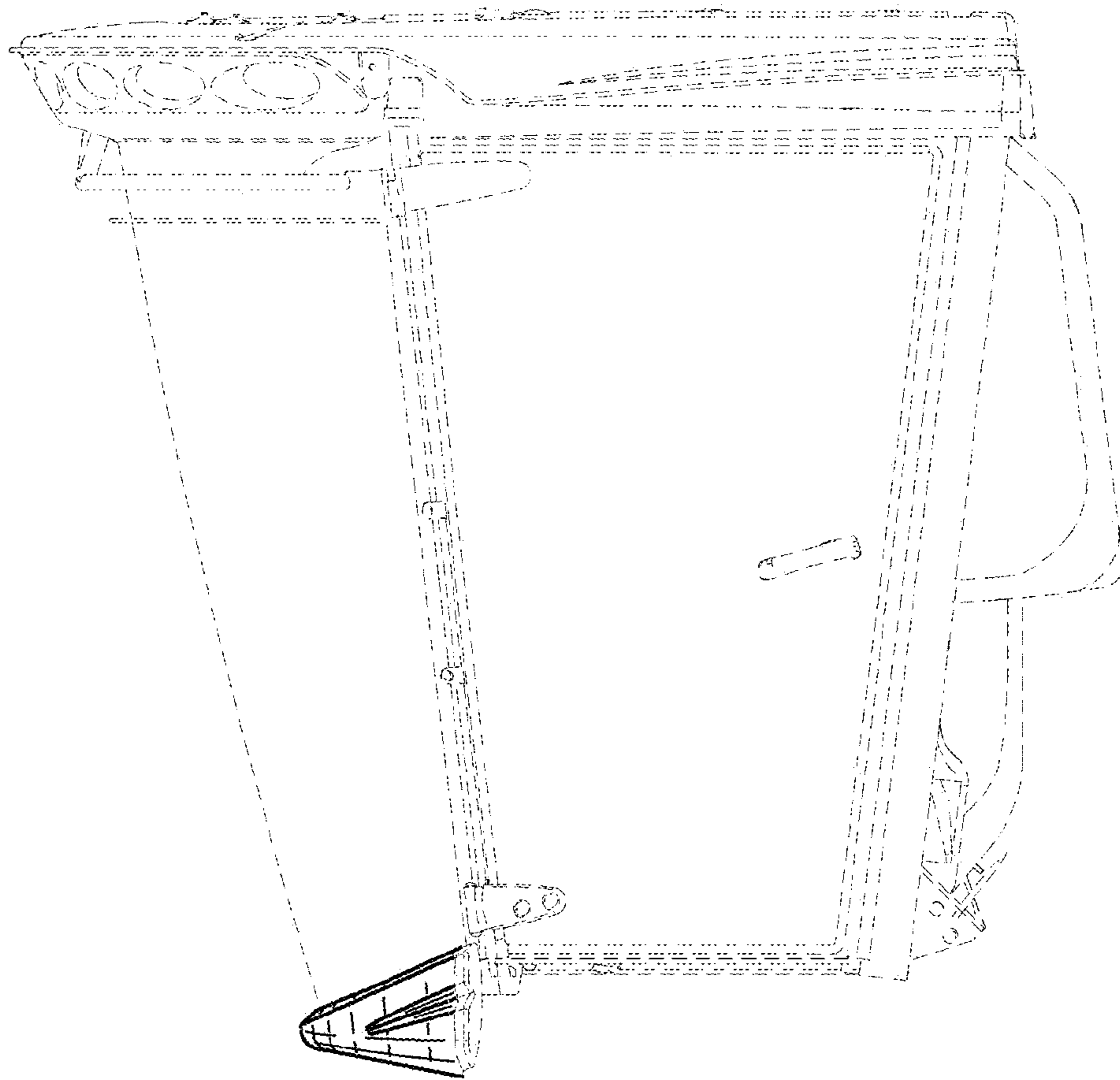


FIG. 10



FIG. 11

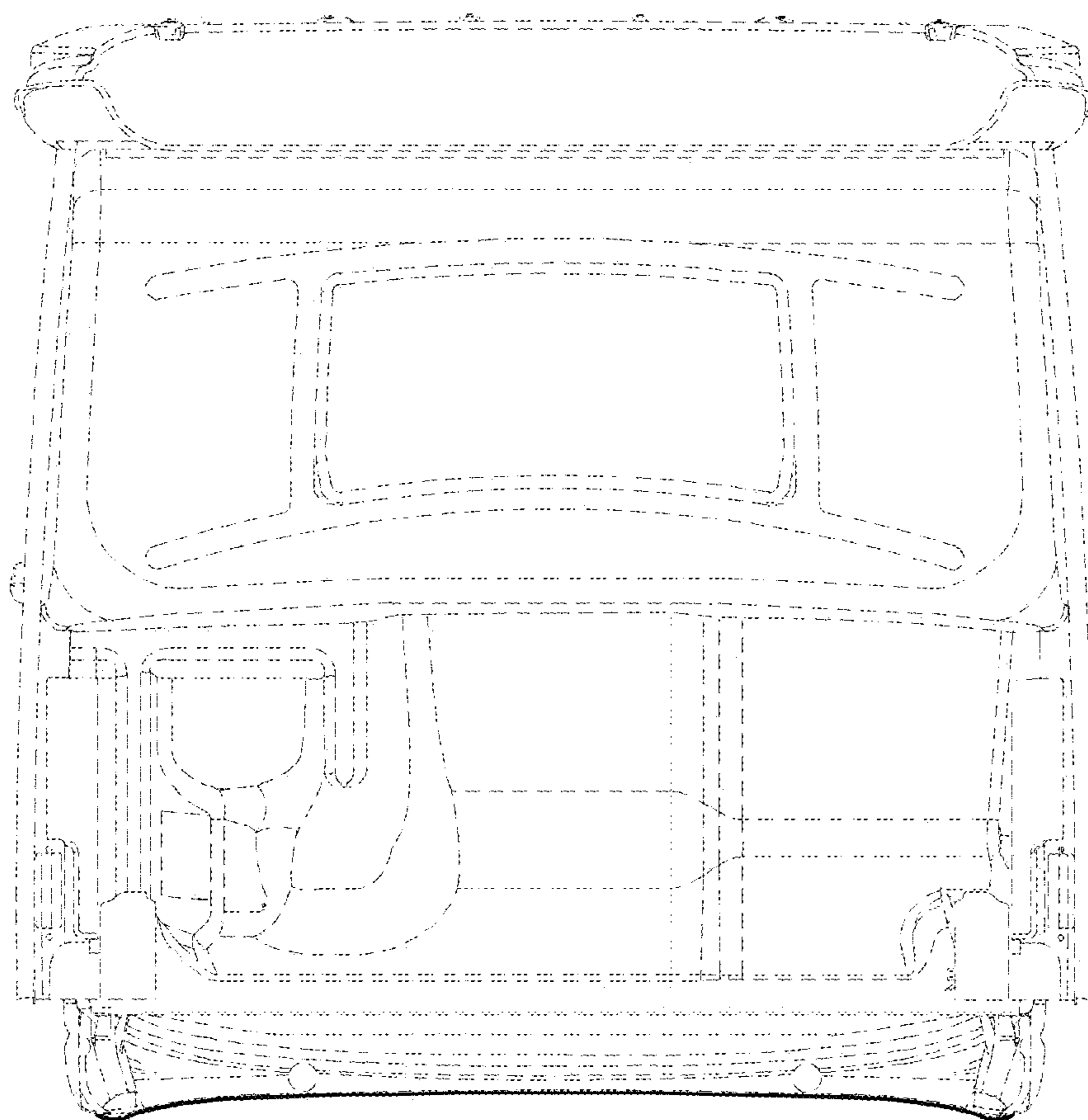


FIG. 12

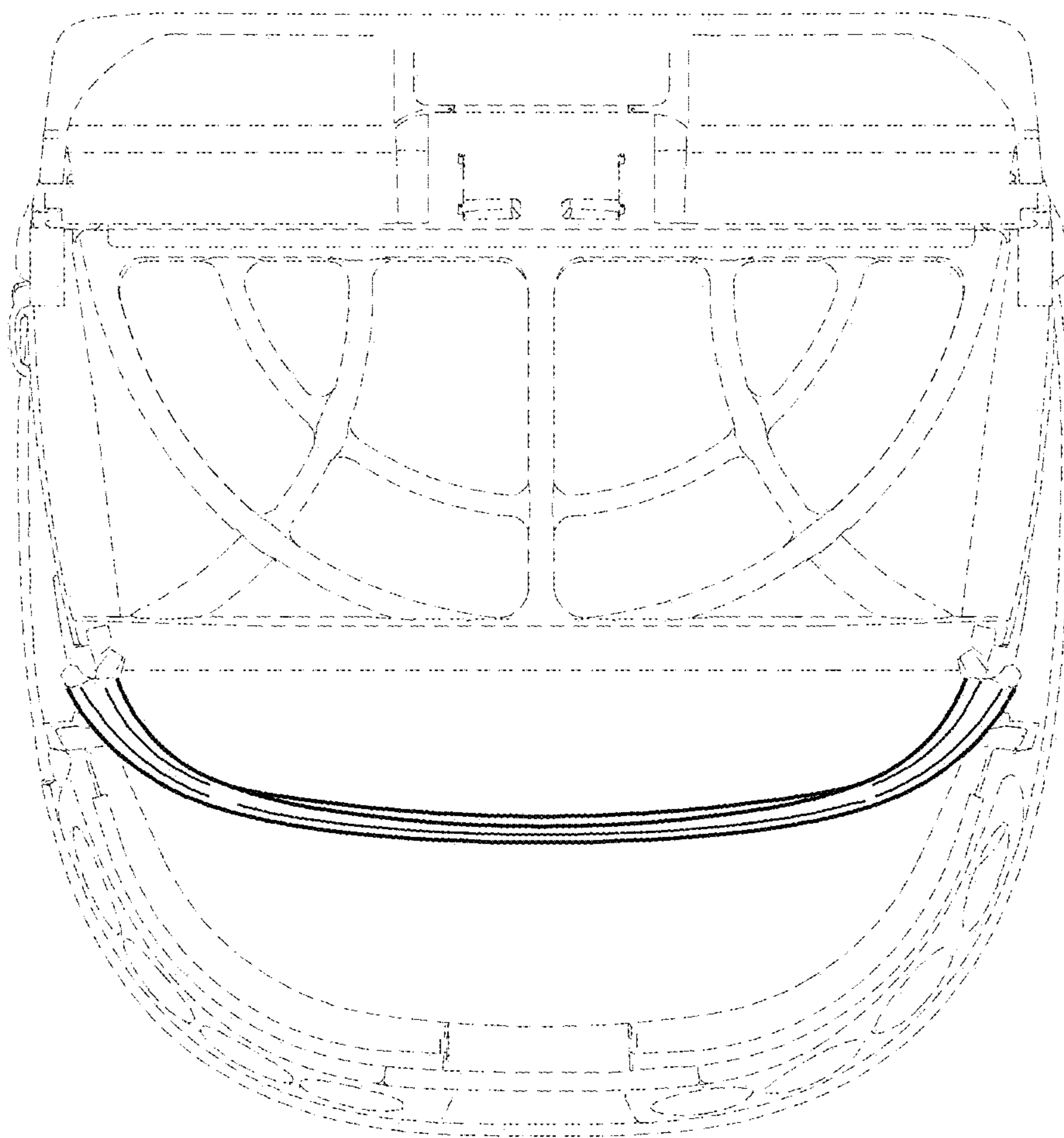


FIG. 13

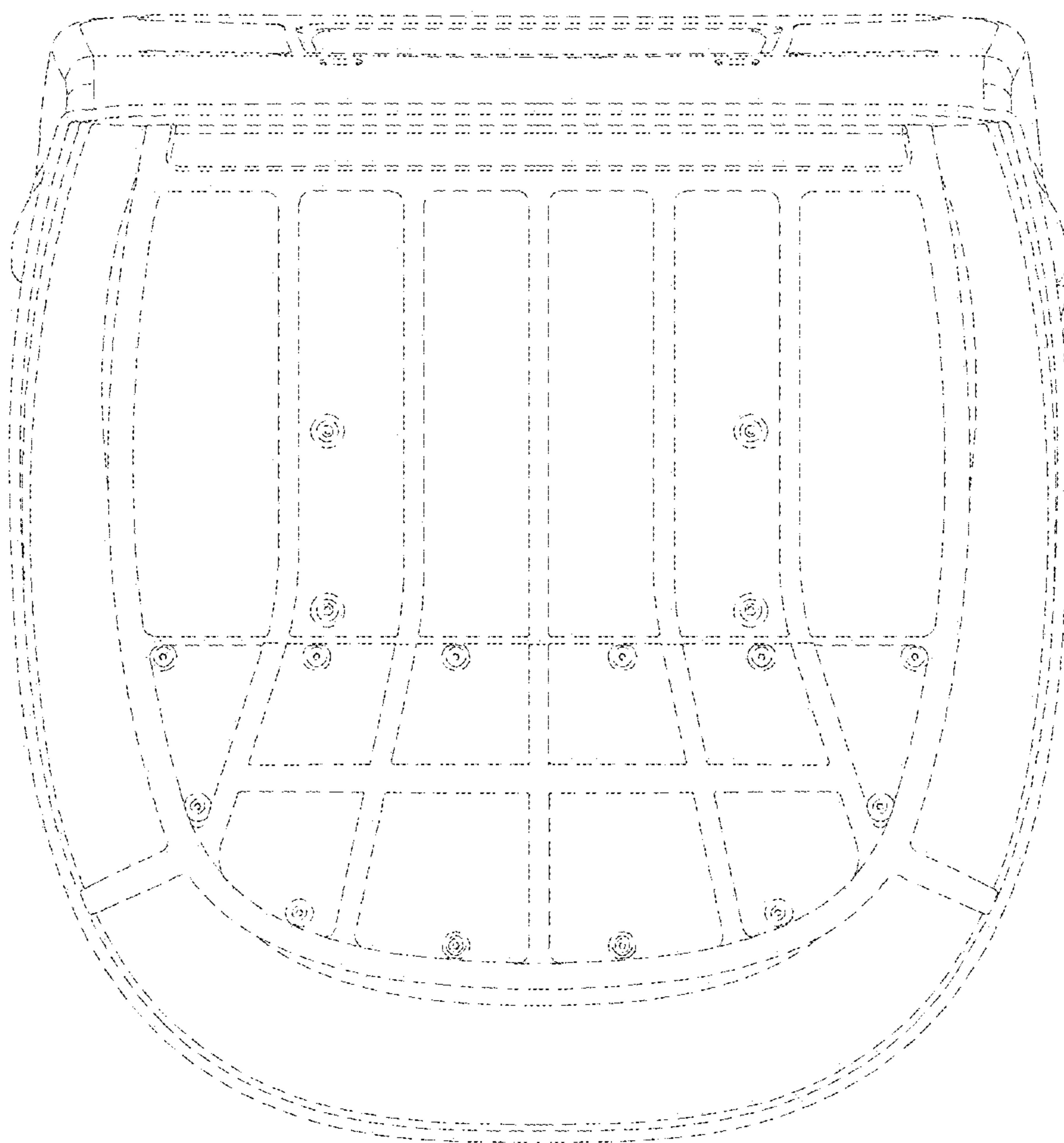


FIG. 14