



US00D689526S

(12) **United States Design Patent**  
**Tsai**

(10) **Patent No.:** **US D689,526 S**

(45) **Date of Patent:** **\*\* Sep. 10, 2013**

(54) **AIR COMPRESSOR**

(71) Applicant: **Chung-Shen Tsai**, Taichung (TW)

(72) Inventor: **Chung-Shen Tsai**, Taichung (TW)

(\*\*) Term: **14 Years**

(21) Appl. No.: **29/439,143**

(22) Filed: **Dec. 6, 2012**

(51) **LOC (9) Cl.** ..... **15-02**

(52) **U.S. Cl.**  
USPC ..... **D15/9**

(58) **Field of Classification Search**  
USPC ..... D15/7-9; D23/231, 232, 225; 417/60,  
417/235, 265, 321, 355, 358, 363, 359, 410.1,  
417/415-416, 405, 900, 43, 554; 60/408,  
60/412; 184/26-37; 415/140-147; 123/495,  
123/509; 166/105.1, 105.2, 311; 604/73;  
D24/109

See application file for complete search history.

(56) **References Cited**

U.S. PATENT DOCUMENTS

D377,967 S *	2/1997	Rozek et al. ....	D23/235
D379,996 S *	6/1997	Leu et al. ....	D15/9
D382,883 S *	8/1997	Breitzman et al. ....	D15/9
D573,159 S *	7/2008	Etter .....	D15/7
D668,268 S *	10/2012	Haener et al. ....	D15/9

\* cited by examiner

*Primary Examiner* — Ralf Seifert

(74) *Attorney, Agent, or Firm* — Leong C. Lei

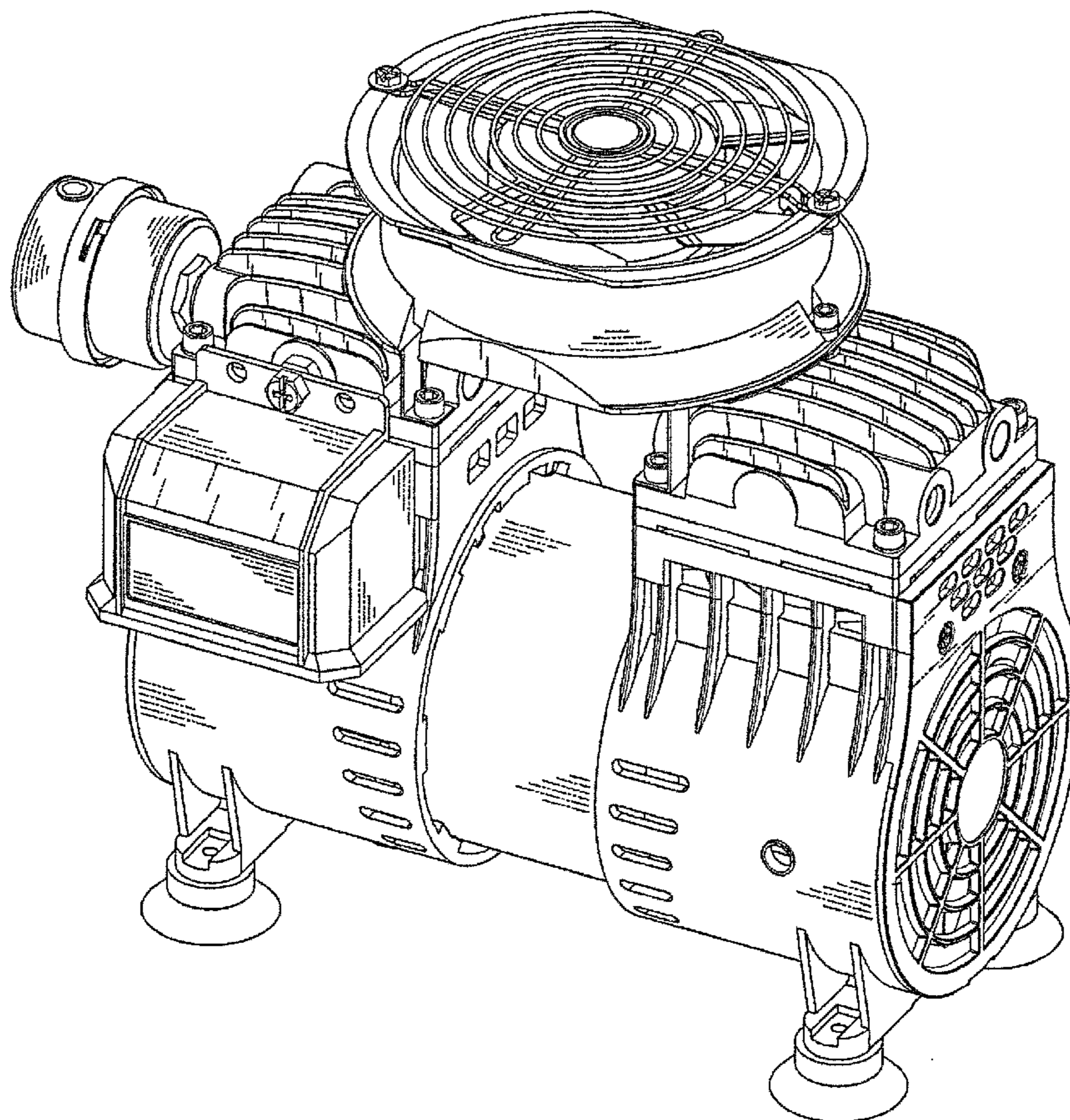
(57) **CLAIM**

The ornamental design for an air compressor, as shown and described.

**DESCRIPTION**

FIG. 1 is a front perspective view of an air compressor showing my new design;  
FIG. 2 is another front perspective view thereof;  
FIG. 3 is a front elevational view thereof;  
FIG. 4 is a rear elevational view thereof;  
FIG. 5 is a left elevational view thereof;  
FIG. 6 is a right elevational view thereof;  
FIG. 7 is a top plan view thereof; and,  
FIG. 8 is a bottom plan view thereof.

**1 Claim, 8 Drawing Sheets**



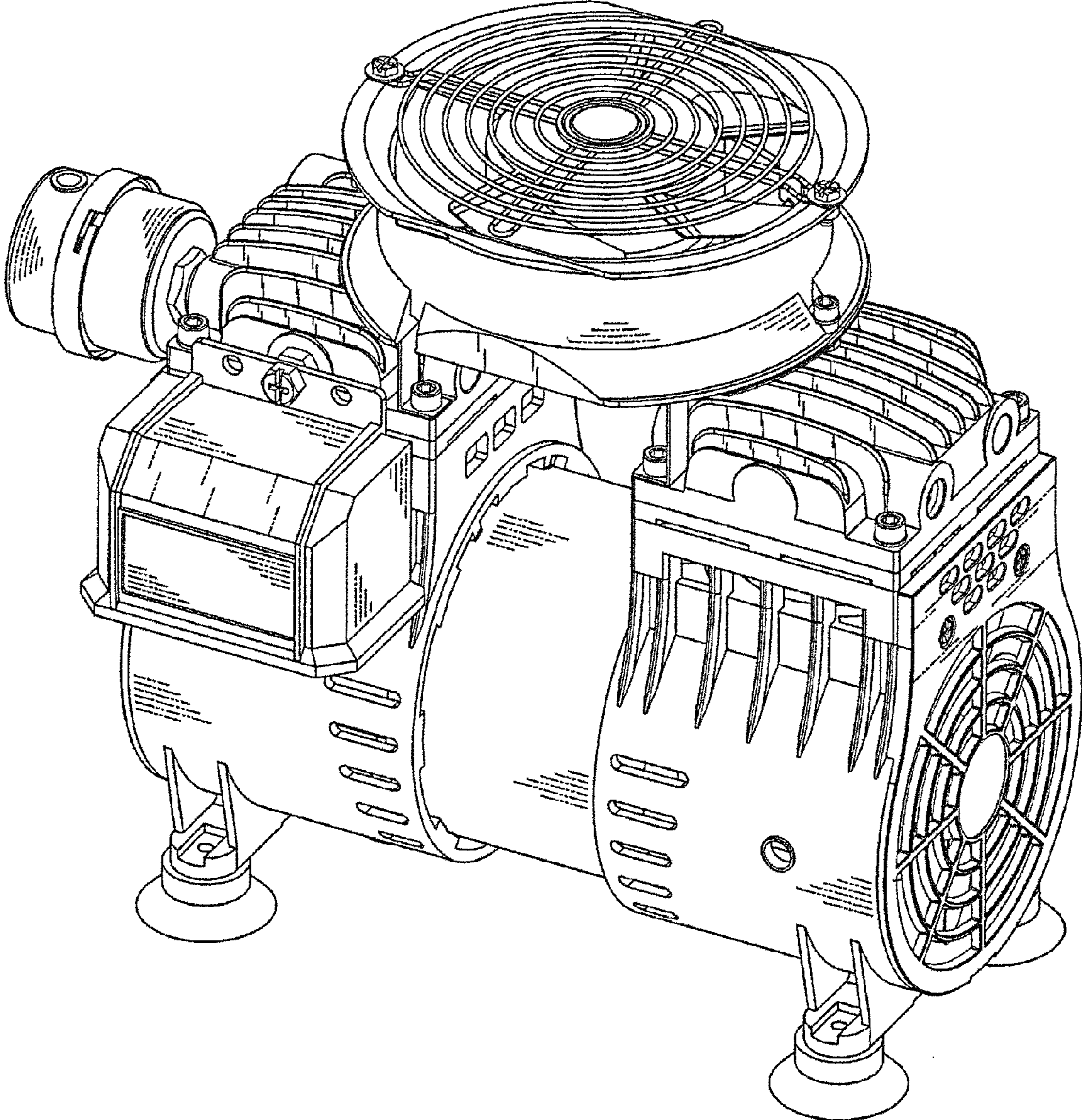


FIG.1

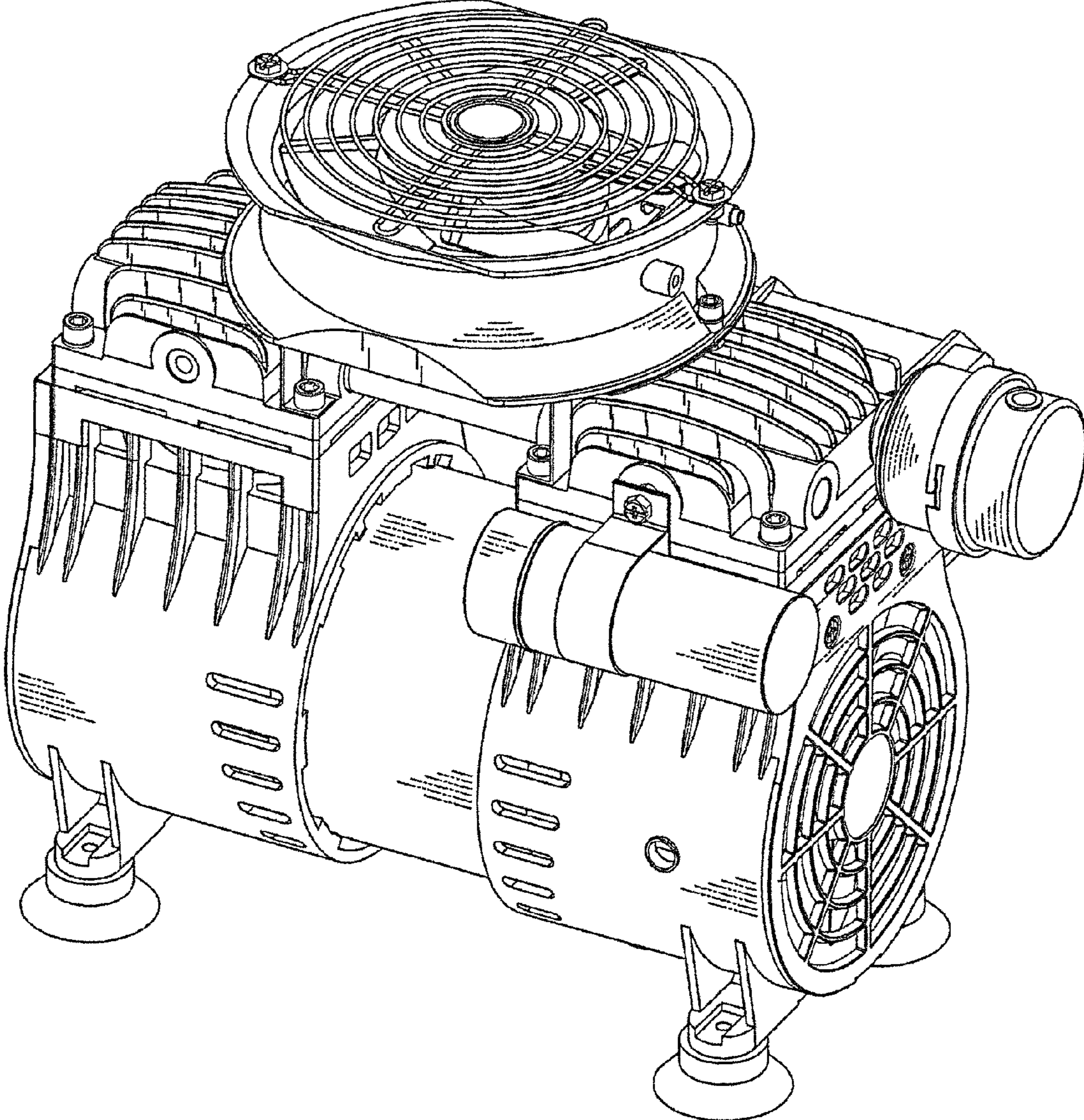


FIG.2

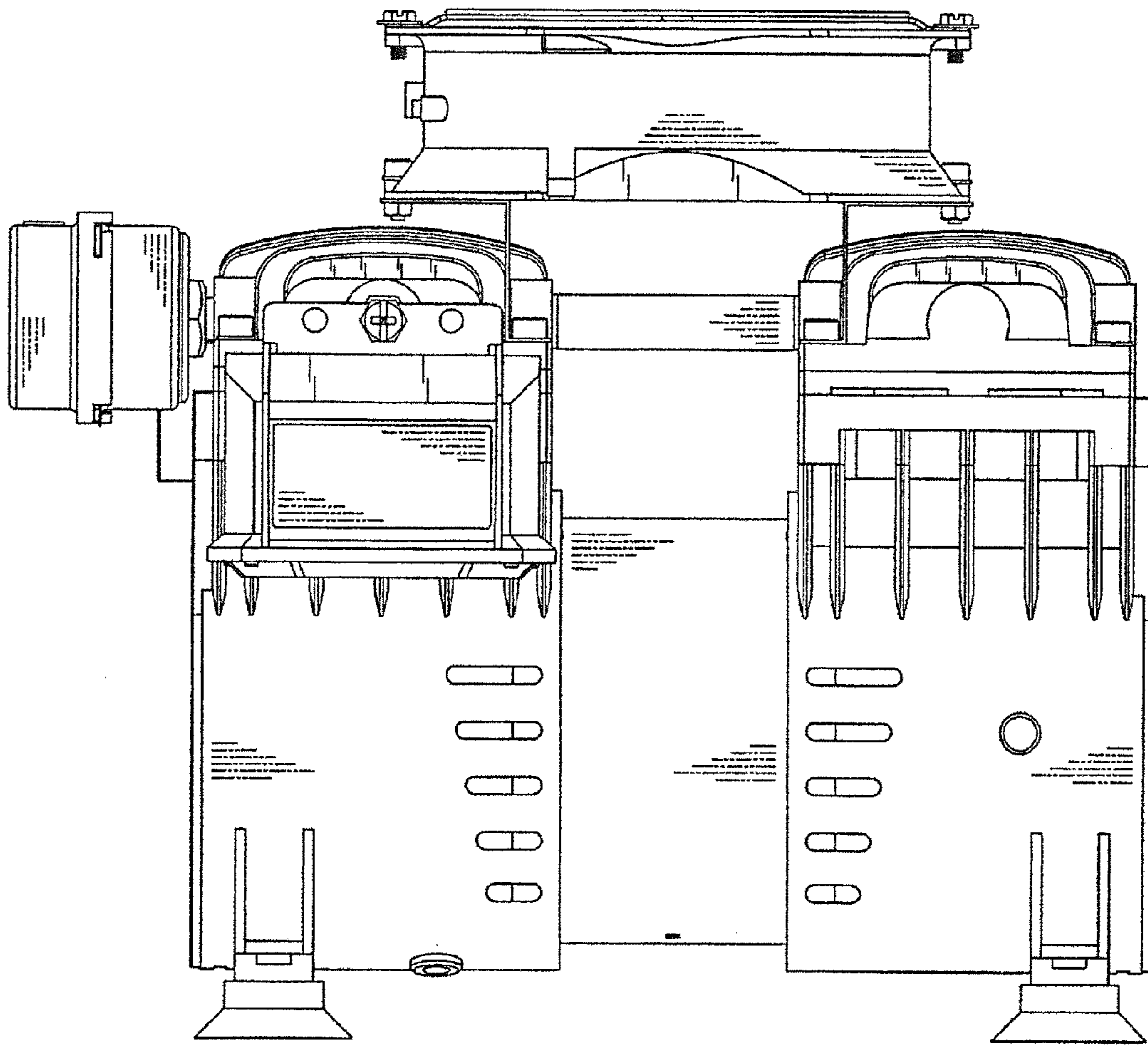


FIG.3

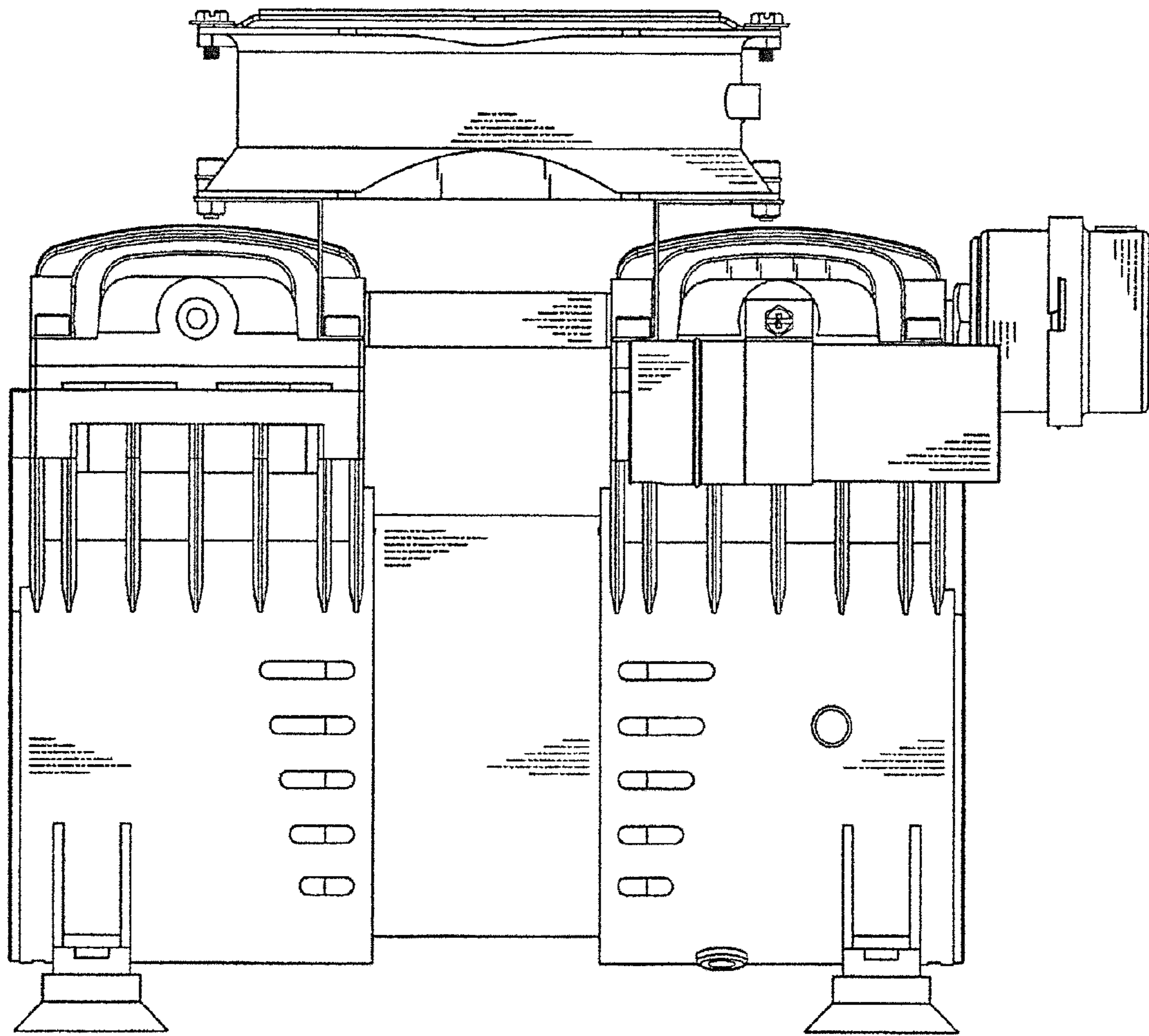


FIG.4

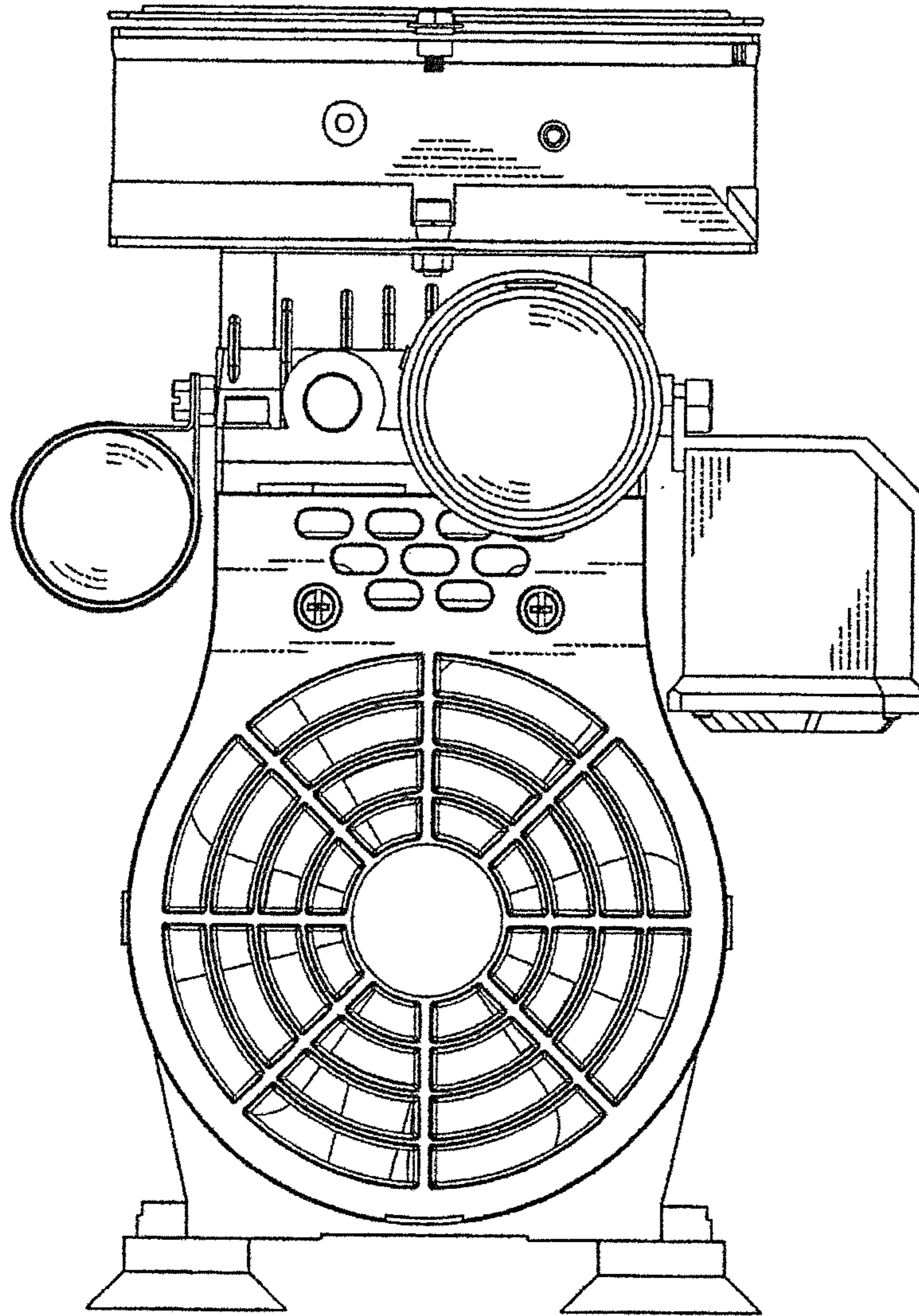


FIG.5

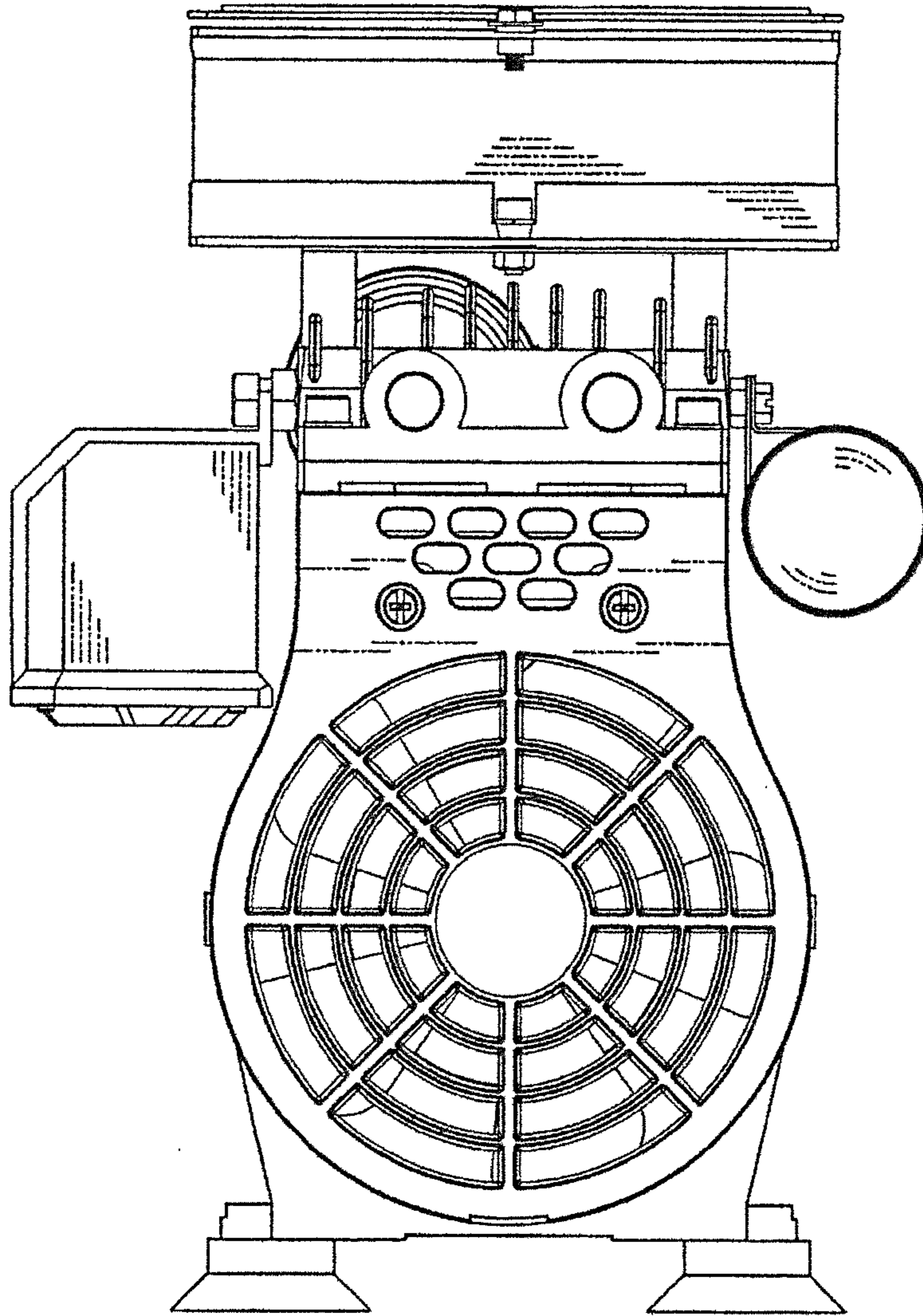


FIG.6

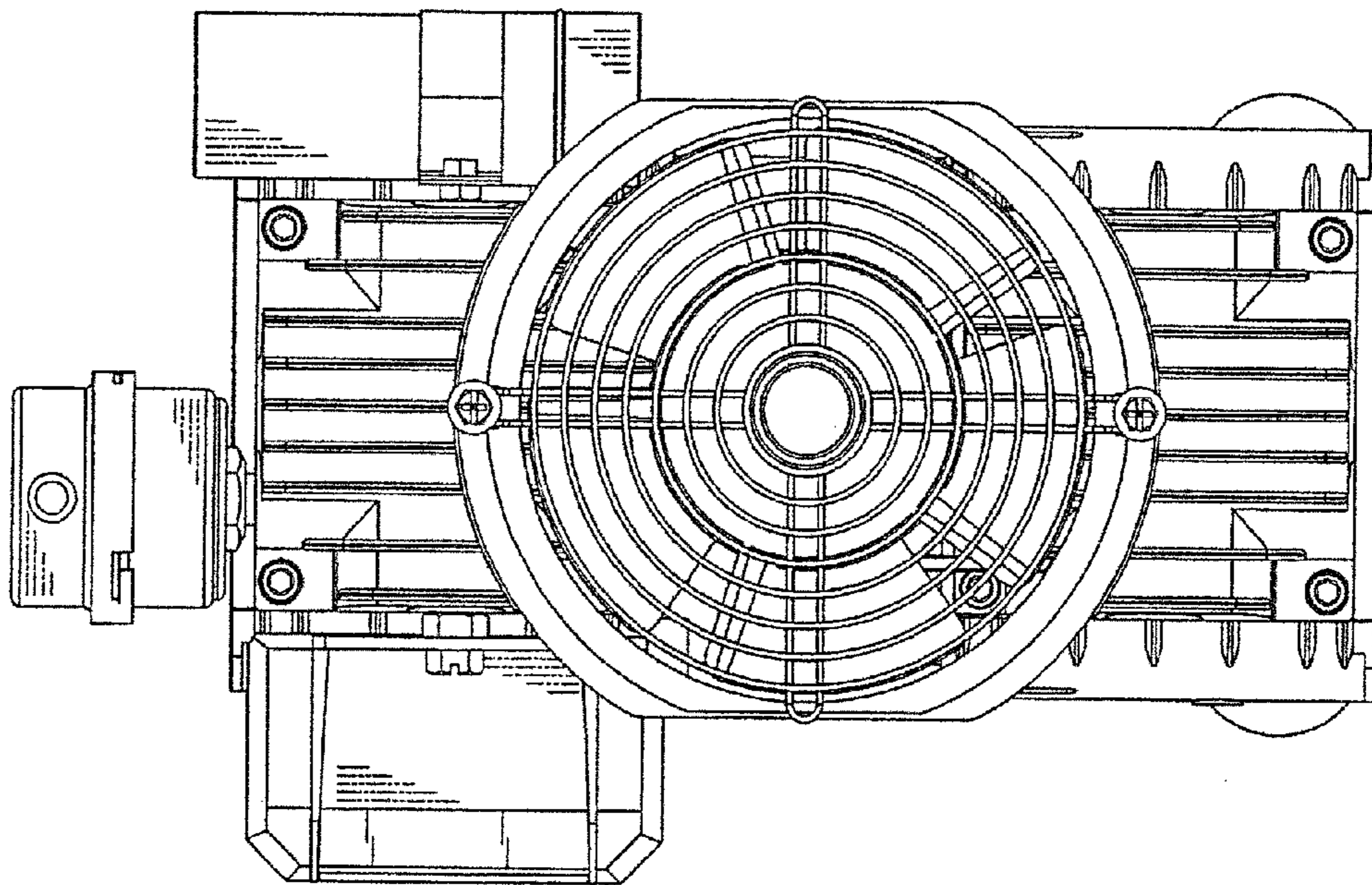


FIG.7



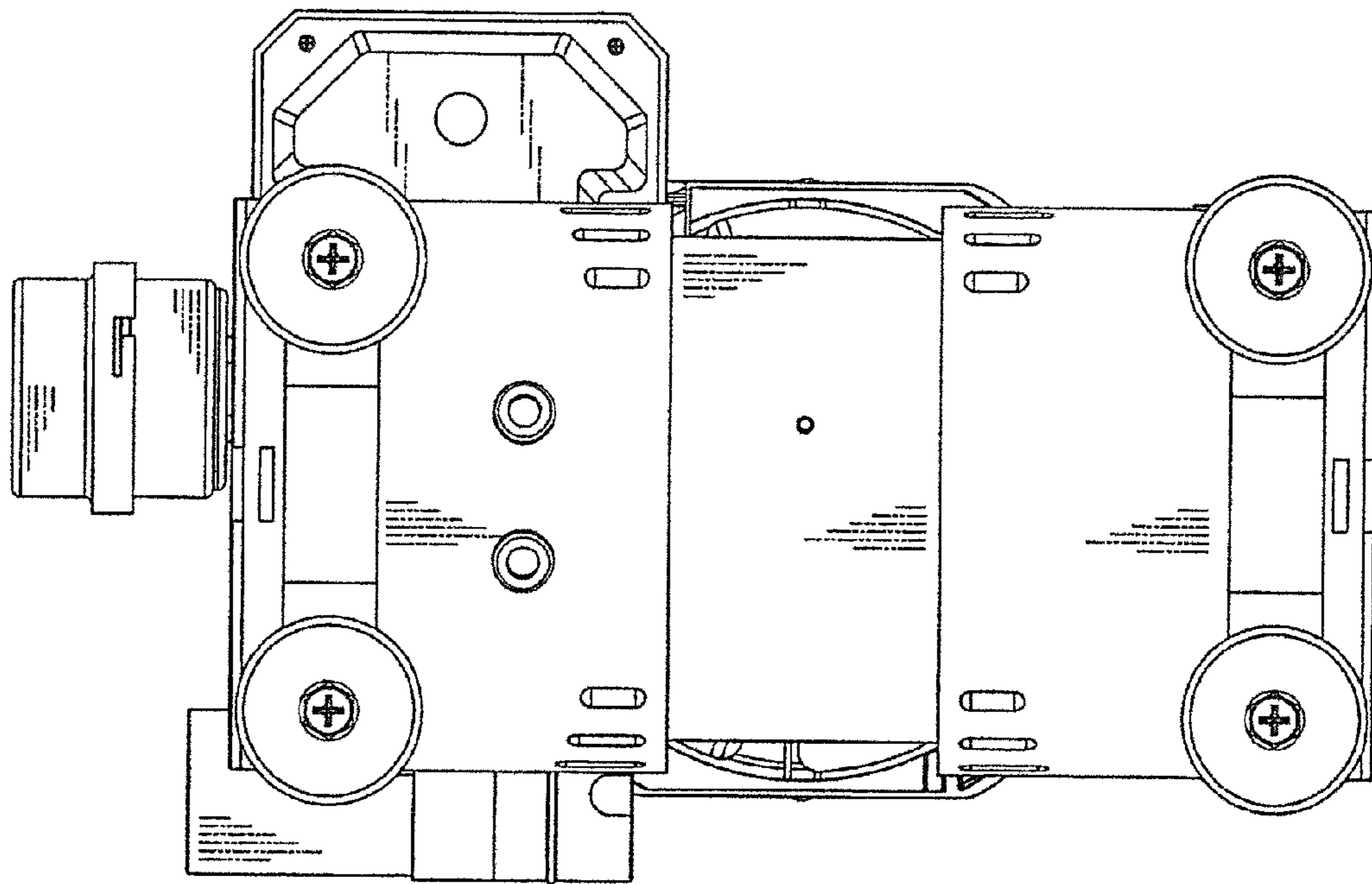


FIG.8