



US00D689525S

(12) **United States Design Patent**
Peschel

(10) **Patent No.:** **US D689,525 S**

(45) **Date of Patent:** **** Sep. 10, 2013**

(54) **CYLINDER TUBE FOR A PNEUMATIC CYLINDER**

(71) Applicant: **Jörg Peschel**, Esslingen (DE)

(72) Inventor: **Jörg Peschel**, Esslingen (DE)

(73) Assignee: **Festo AG & Co. KG**, Esslingen (DE)

(**) Term: **14 Years**

(21) Appl. No.: **29/432,986**

(22) Filed: **Sep. 24, 2012**

(30) **Foreign Application Priority Data**

Apr. 2, 2012 (EM) 002018754-0002

(51) **LOC (9) Cl.** **15-02**

(52) **U.S. Cl.**
USPC **D15/7**

(58) **Field of Classification Search**
USPC D15/7-9; D23/231, 232, 225; 417/60,
417/235, 265, 321, 355, 358, 363, 359, 410.1,
417/415-416, 405, 900, 43, 554; 60/408,
60/412; 184/26-37; 415/140-147; 123/495,
123/509; 166/105.1, 105.2, 311; 604/73;
D24/109

See application file for complete search history.

(56) **References Cited**

U.S. PATENT DOCUMENTS

D331,584 S *	12/1992	Aizawa	D15/7
D332,101 S *	12/1992	Aizawa	D15/7
D480,405 S	10/2003	Kleffmann et al.		
D572,282 S	7/2008	Yaegashi		
D575,175 S	8/2008	Suzuki		
D576,641 S *	9/2008	Liu	D15/7
D584,324 S	1/2009	Yaegashi		
D658,684 S *	5/2012	Roman	D15/9

* cited by examiner

Primary Examiner — Ralf Seifert

(74) *Attorney, Agent, or Firm* — Hoffmann & Baron, LLP

(57) **CLAIM**

The ornamental design for a cylinder tube for a pneumatic cylinder, as shown and described.

DESCRIPTION

FIG. 1 is a top perspective view of a cylinder tube for a pneumatic cylinder showing my new design;
FIG. 2 is a left side view thereof;
FIG. 3 is a right side view thereof;
FIG. 4 is a front view thereof;
FIG. 5 is a rear view thereof;
FIG. 6 is a top plan view thereof; and,
FIG. 7 is a bottom plan view thereof.

1 Claim, 7 Drawing Sheets

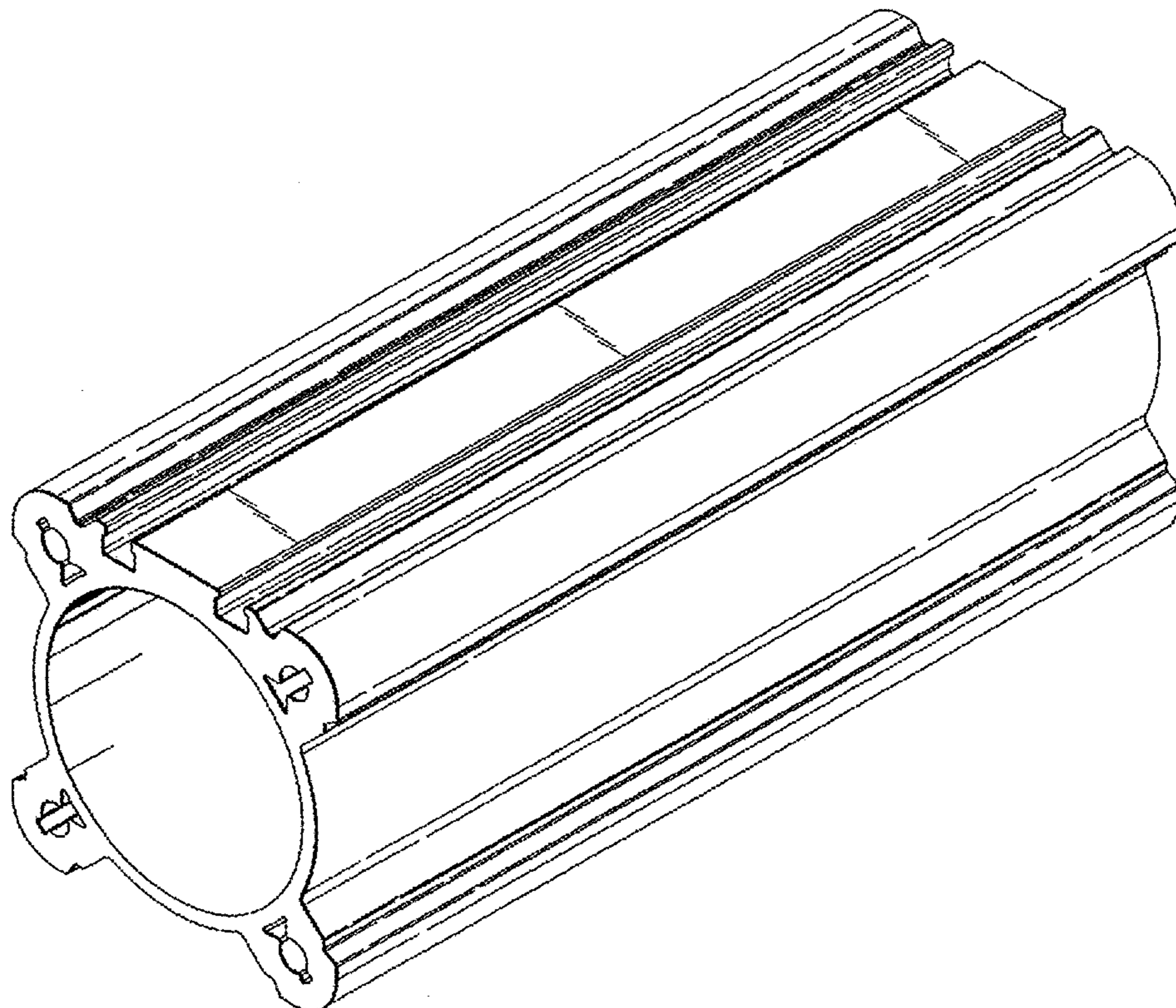


Fig. 1

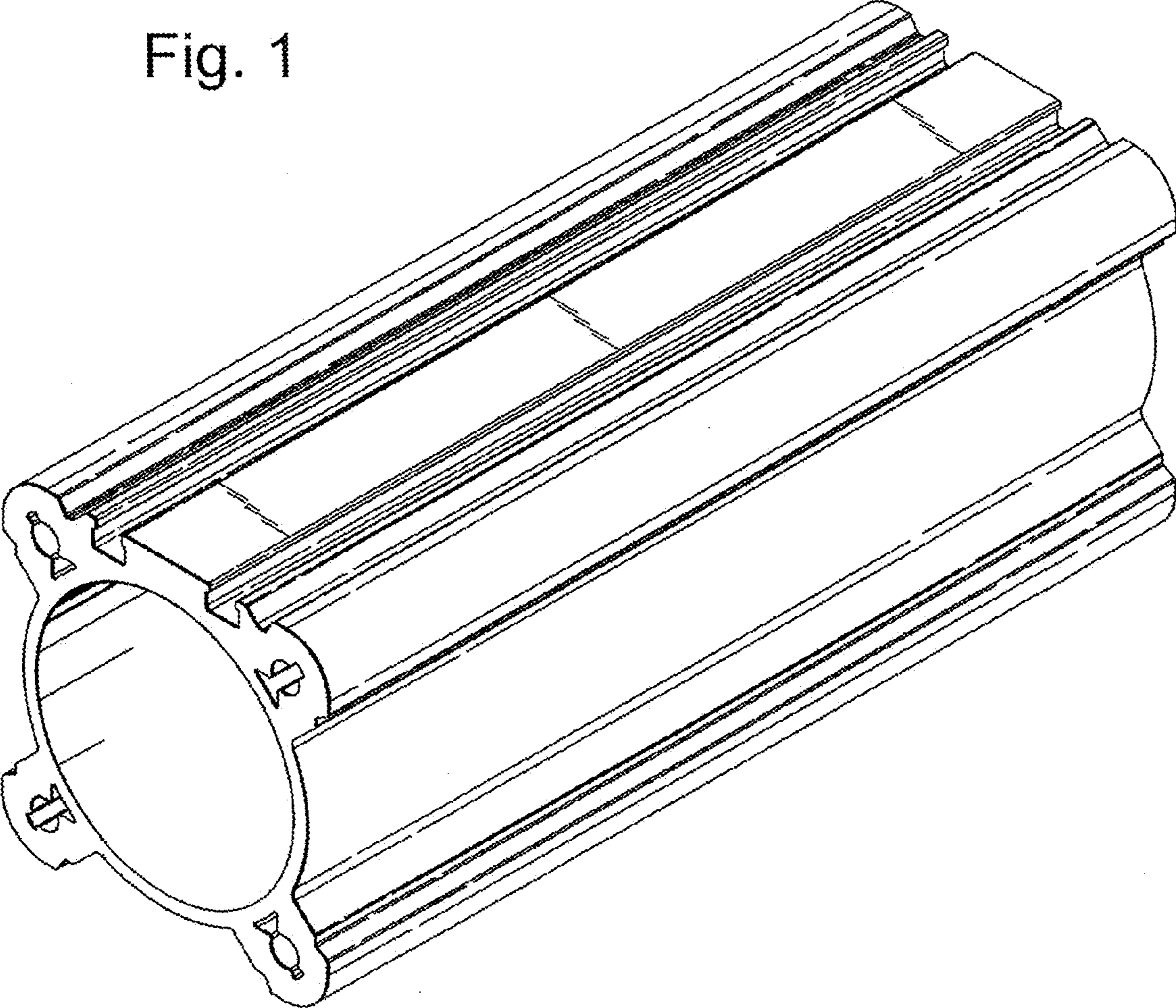


Fig. 2

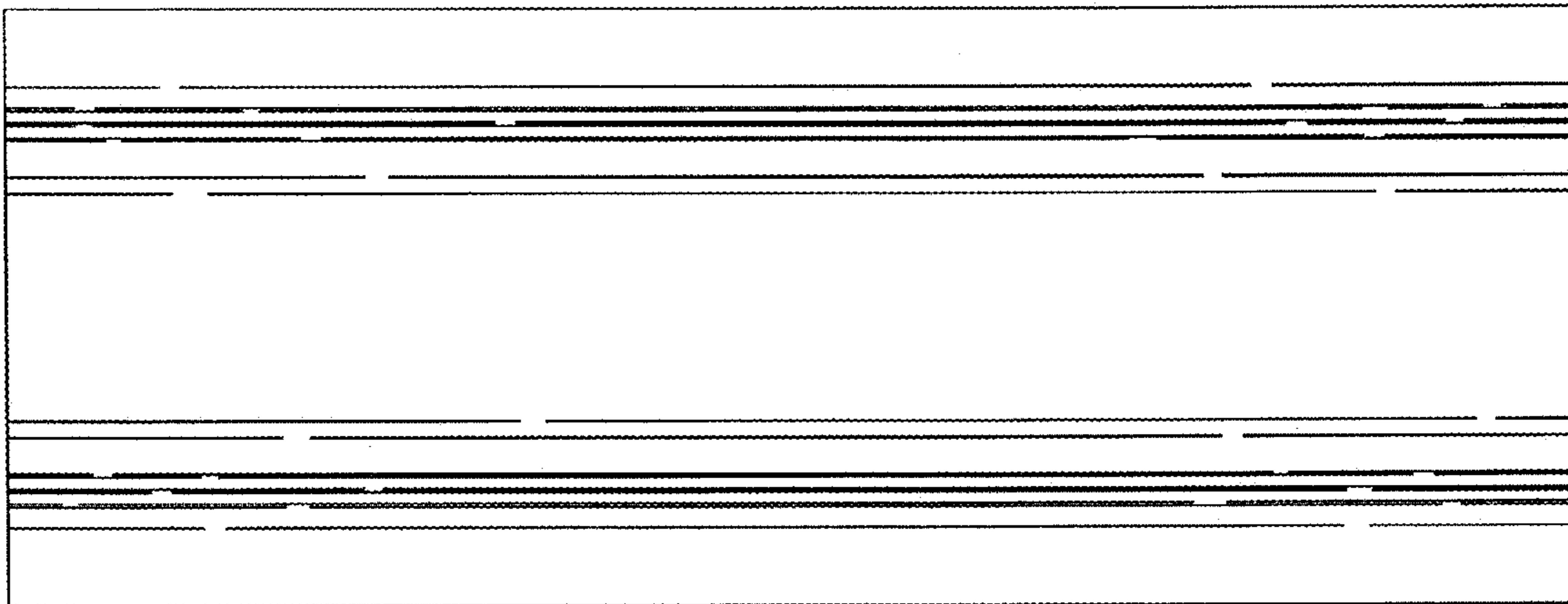


Fig. 4

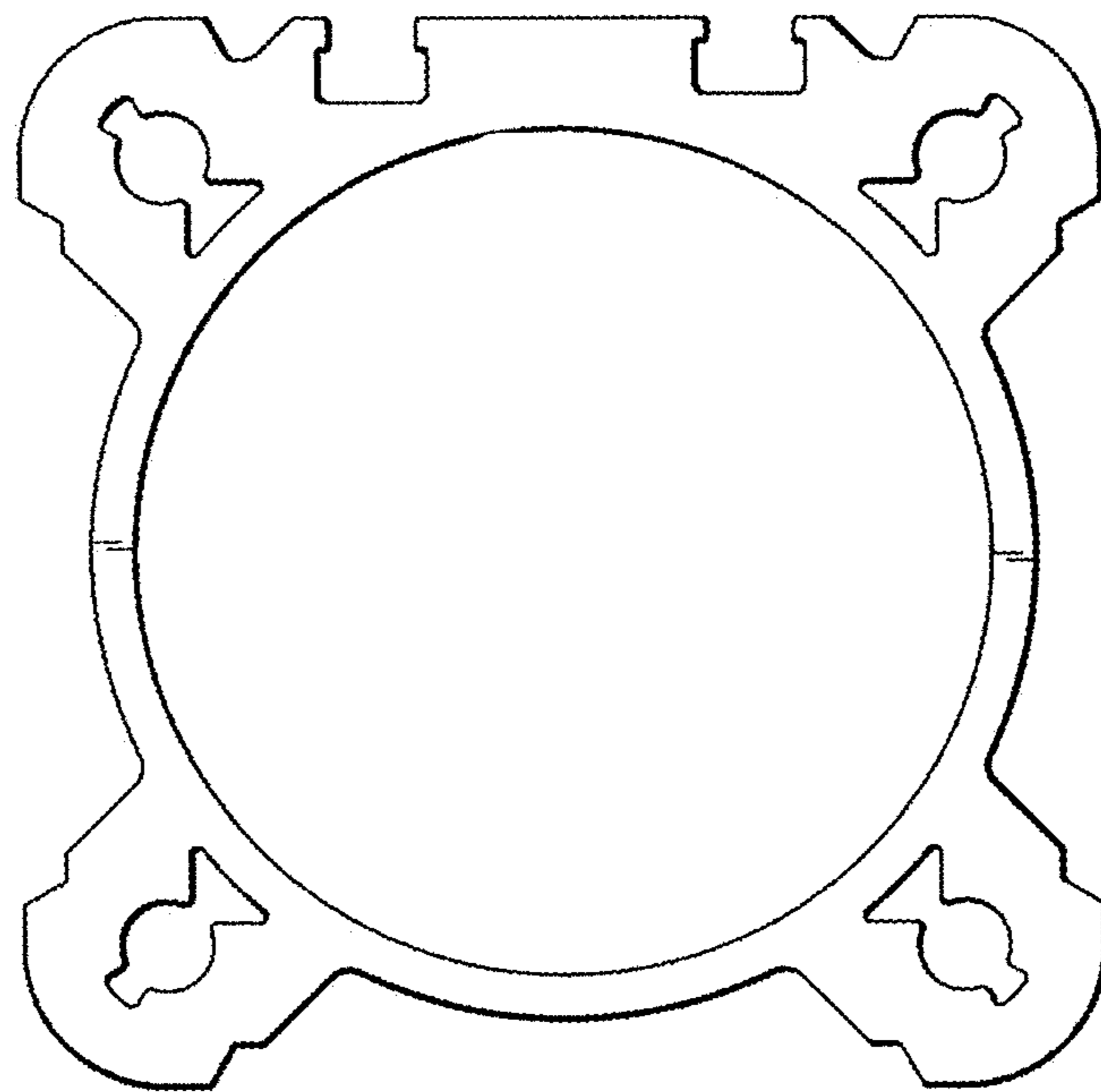


Fig. 5

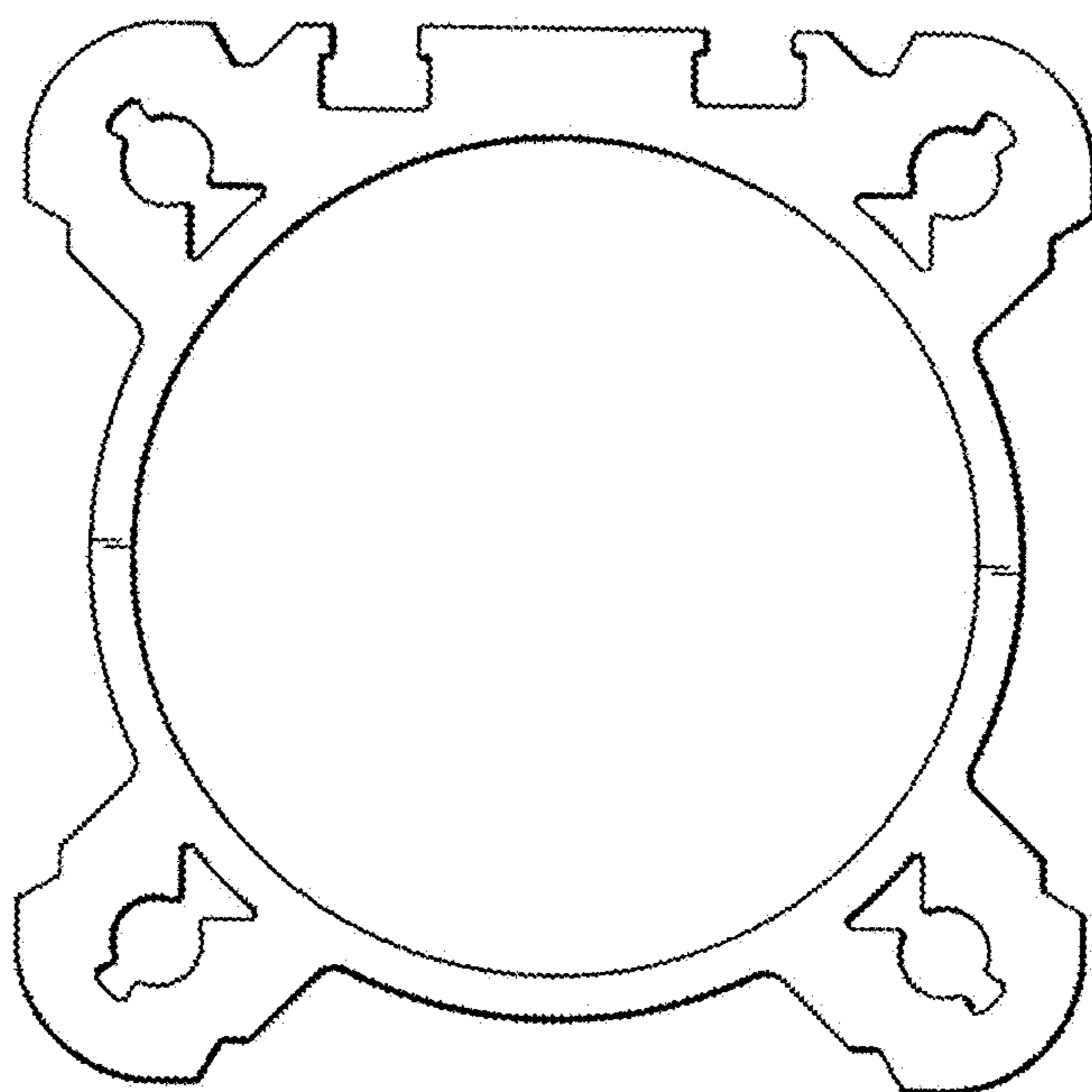


Fig. 6

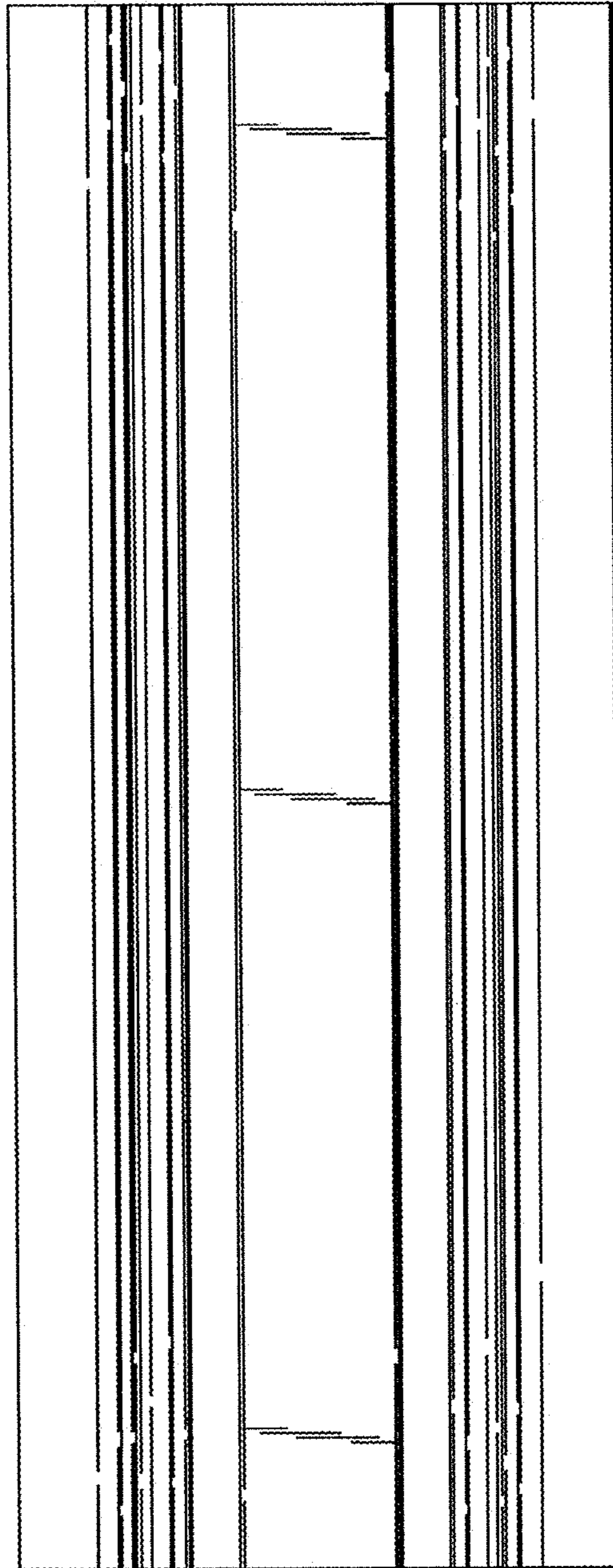


Fig. 7

