



US00D689522S

(12) **United States Design Patent**  
**Johnson et al.**

(10) **Patent No.:** **US D689,522 S**

(45) **Date of Patent:** **\*\* Sep. 10, 2013**

(54) **ENGINE**

(75) Inventors: **Brian Johnson**, Kewaskum, WI (US);  
**Caleb J. Palmer**, Milwaukee, WI (US)

(73) Assignee: **Briggs & Stratton Corporation**,  
Wauwatosa, WI (US)

(\*\*) Term: **14 Years**

(21) Appl. No.: **29/400,405**

(22) Filed: **Aug. 26, 2011**

(51) **LOC (9) Cl.** ..... **15-01**

(52) **U.S. Cl.**  
USPC ..... **D15/1**

(58) **Field of Classification Search**  
USPC ..... D15/1, 2, 3, 5, 6, 14, 17, 149; D13/112,  
D13/113, 114, 122; 123/41.34, 50 B, 51 A,  
123/52.1, 54.1, 54.2, 54.4, 54.5, 65 R, 195 R,  
123/195 HC, 311, 606 R, 657  
See application file for complete search history.

(56) **References Cited**

**U.S. PATENT DOCUMENTS**

D282,071 S	1/1986	Nakamura	
D396,476 S *	7/1998	Shimizu	D15/1
6,520,141 B2	2/2003	Ryczek et al.	
D515,589 S	2/2006	Lin et al.	
D529,046 S	9/2006	Maeda et al.	
D536,004 S	1/2007	Ryczek et al.	
D579,026 S *	10/2008	Busschaert	D15/1

D583,829 S *	12/2008	Fan	D15/1
D584,745 S	1/2009	Wei et al.	
D595,737 S	7/2009	Neeley et al.	
D605,661 S	12/2009	Koehl	
D609,720 S	2/2010	Buck	
D629,014 S *	12/2010	Osumi	D15/1

**OTHER PUBLICATIONS**

Photographs of various engine designs compiled Jun. 24, 2010, 1 page.  
Snow Series Engines, <http://www.briggsandstratton.com/engines/snow-blower>, believed to be available by Aug. 25, 2010, 3 pages.

\* cited by examiner

*Primary Examiner* — Derrick Holland

(74) *Attorney, Agent, or Firm* — Foley & Lardner LLP

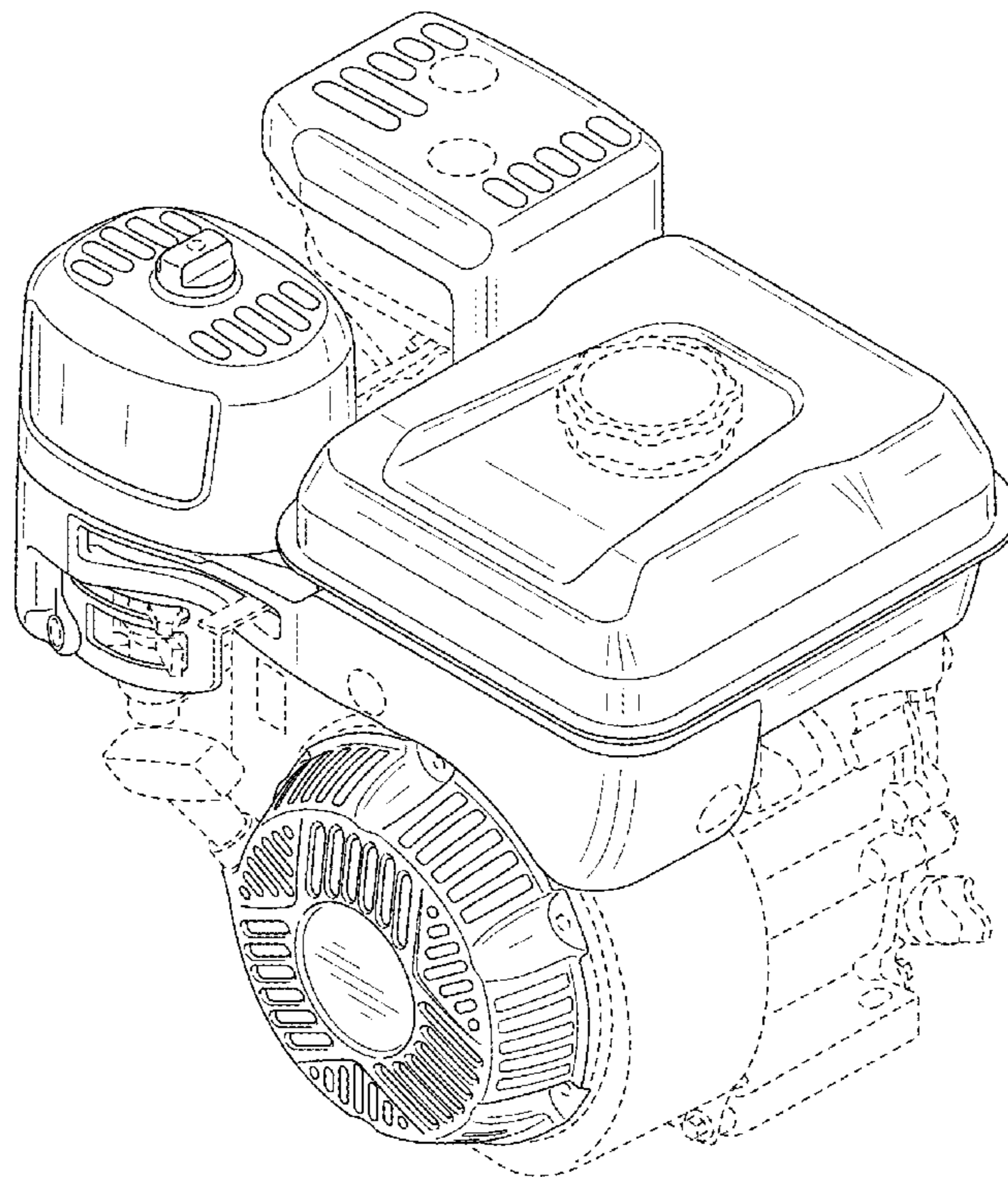
(57) **CLAIM**

We claim the ornamental design for an engine, as shown and described.

**DESCRIPTION**

FIG. 1 is a front and top perspective view of an engine showing our new design;  
FIG. 2 is a top view thereof;  
FIG. 3 is a bottom view thereof;  
FIG. 4 is a left side view thereof;  
FIG. 5 is a right side view thereof;  
FIG. 6 is a front view thereof; and,  
FIG. 7 is a rear view thereof.  
The broken lines shown represent unclaimed subject matter and form no part of the claimed design.

**1 Claim, 7 Drawing Sheets**



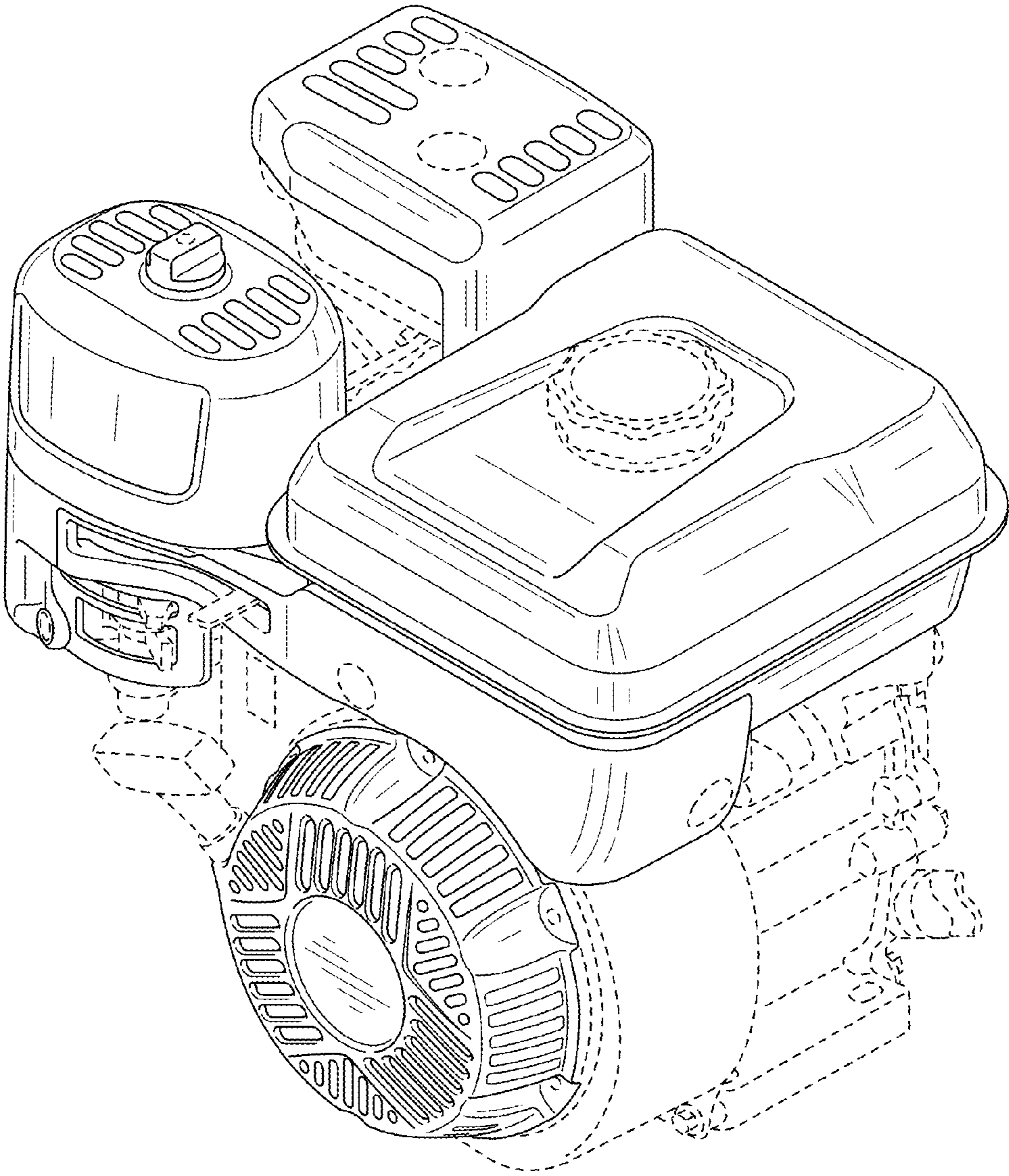


FIG. 1

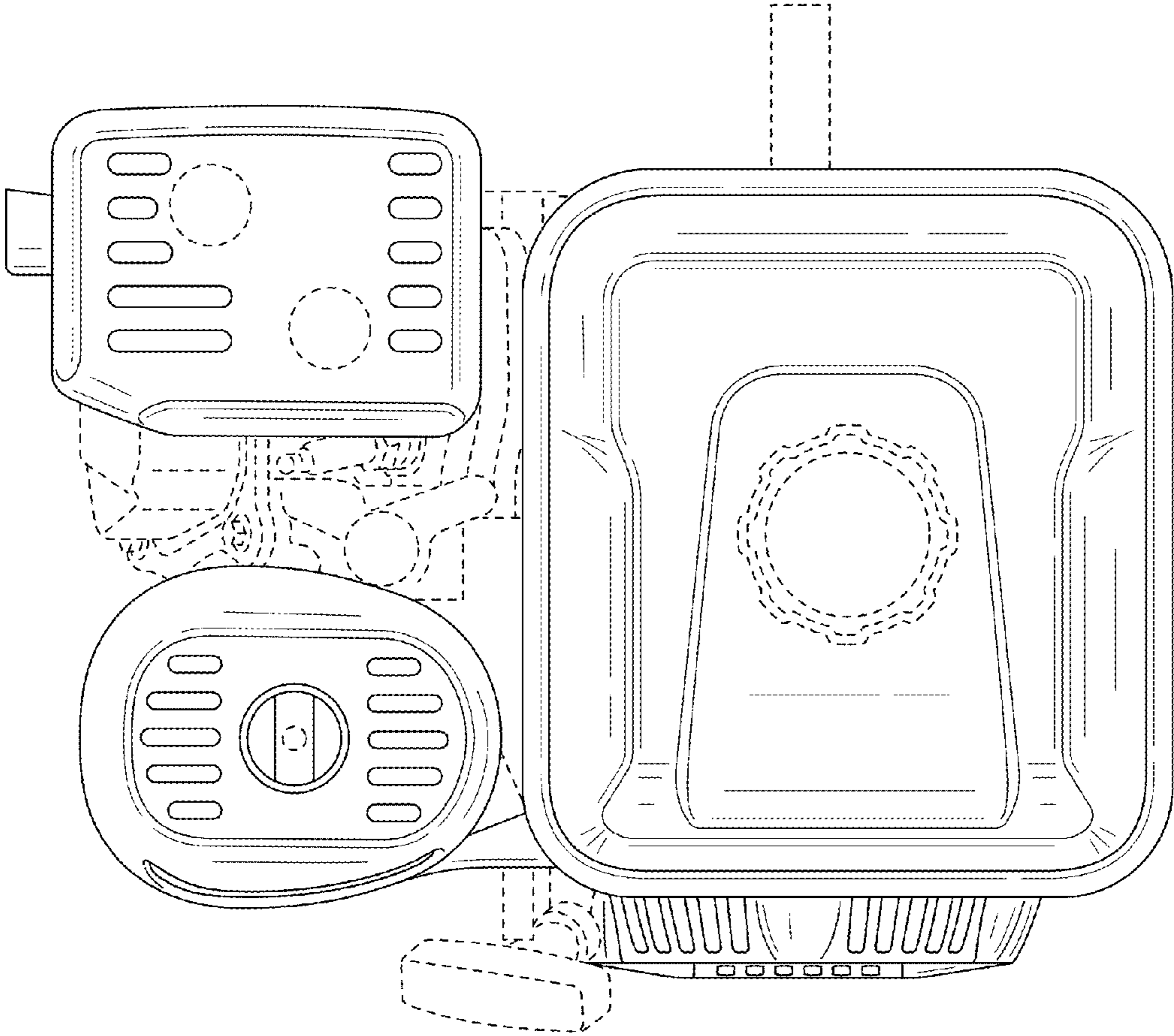


FIG. 2



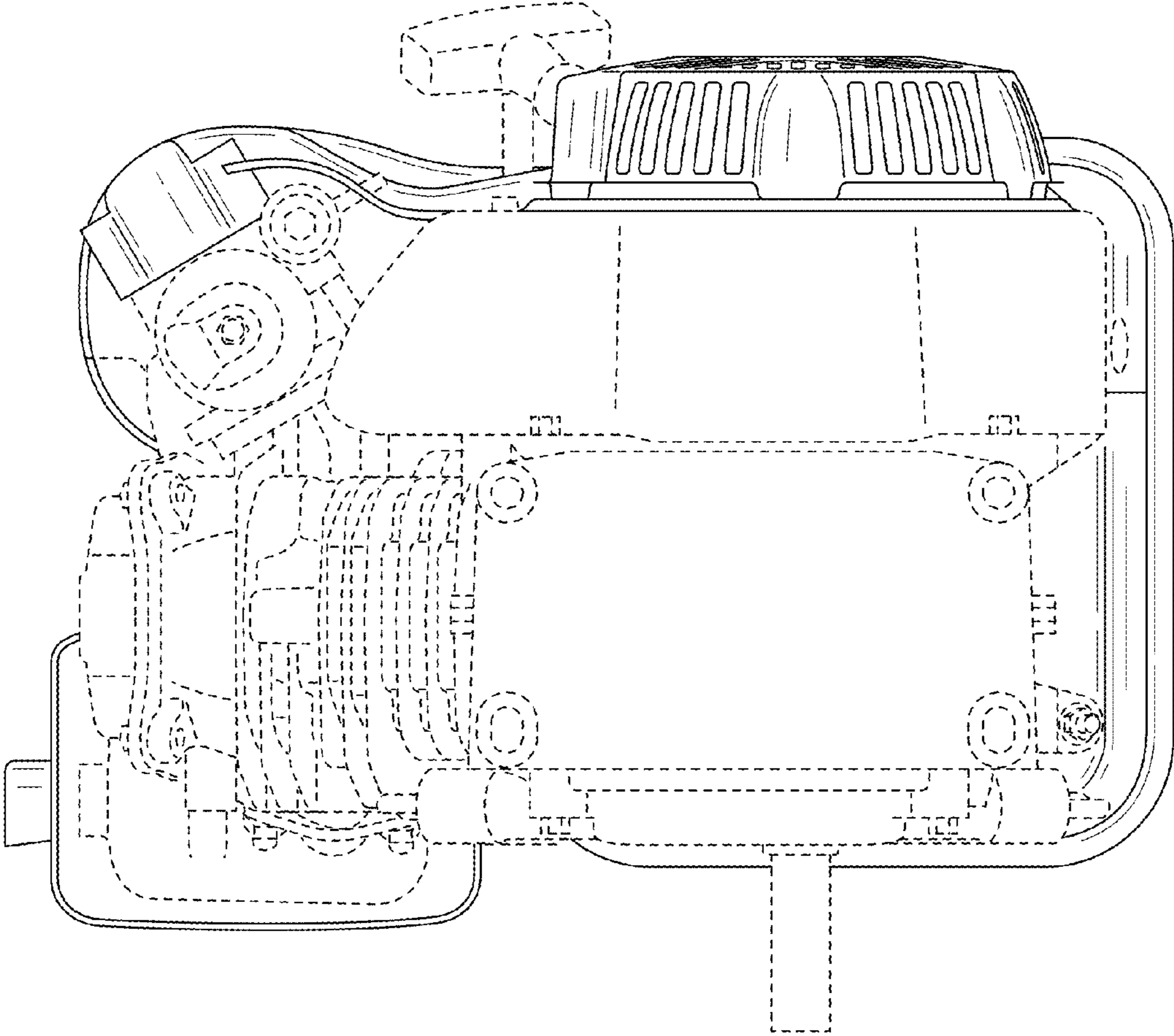


FIG. 3

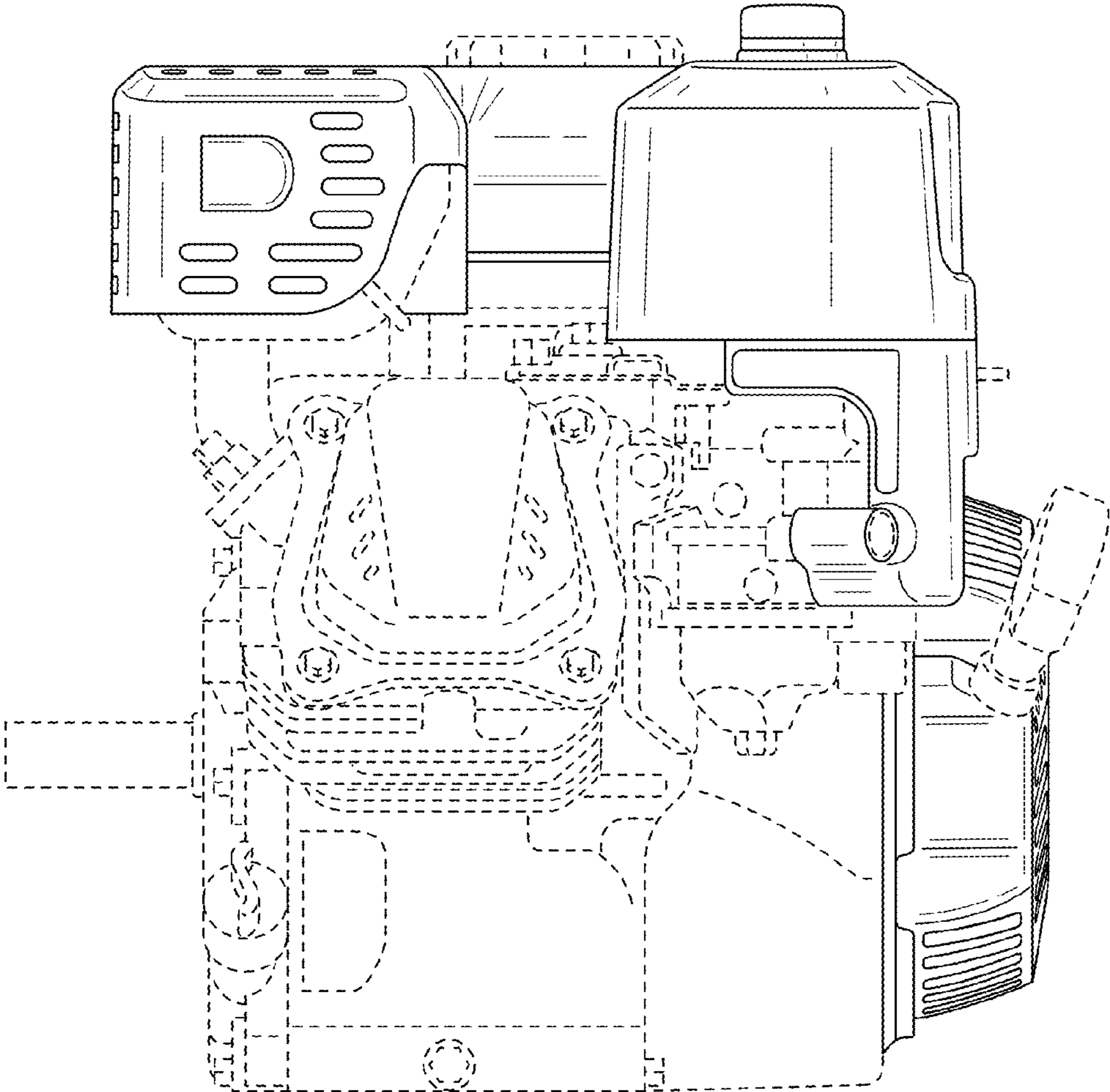


FIG. 4

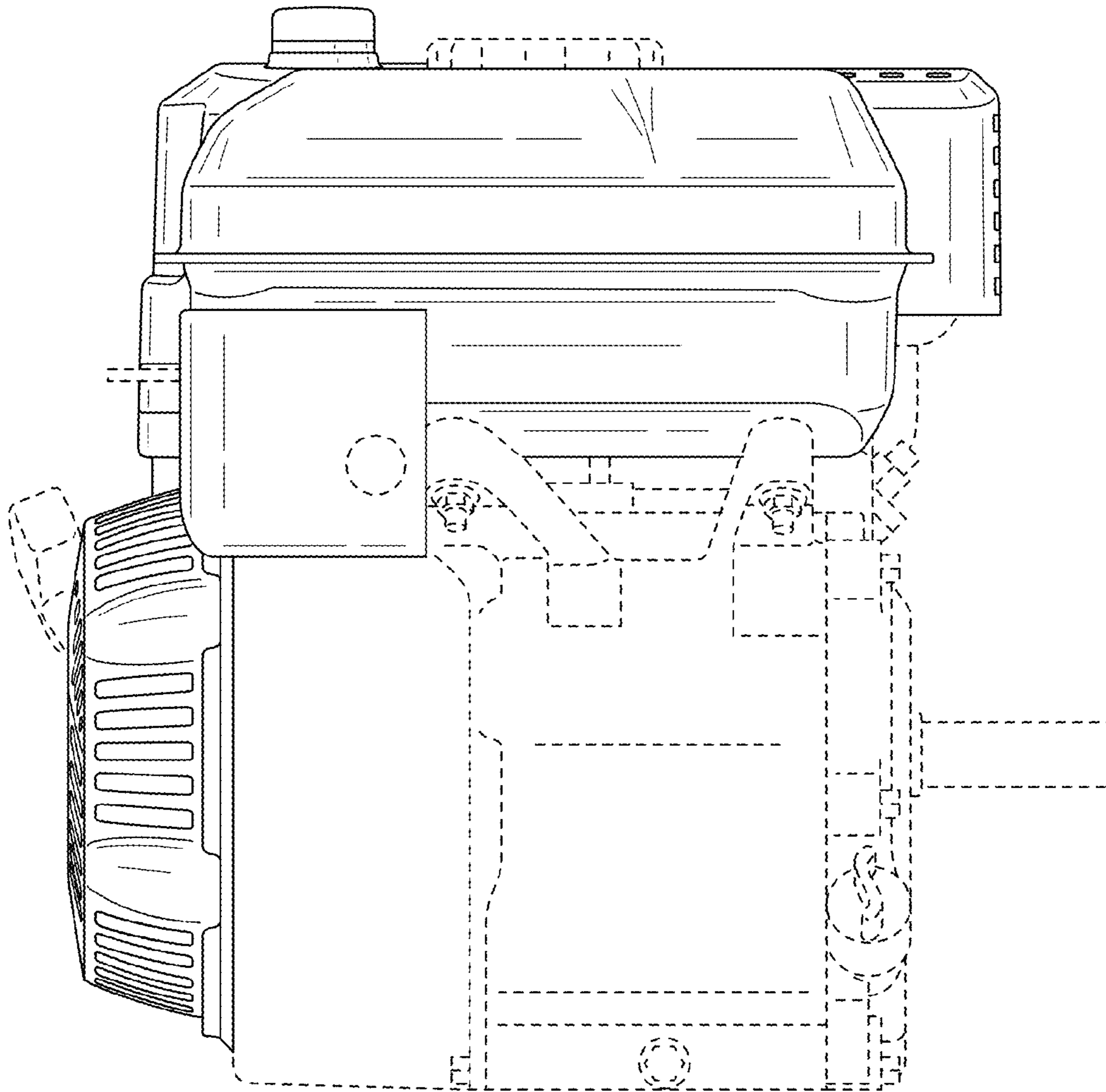


FIG. 5

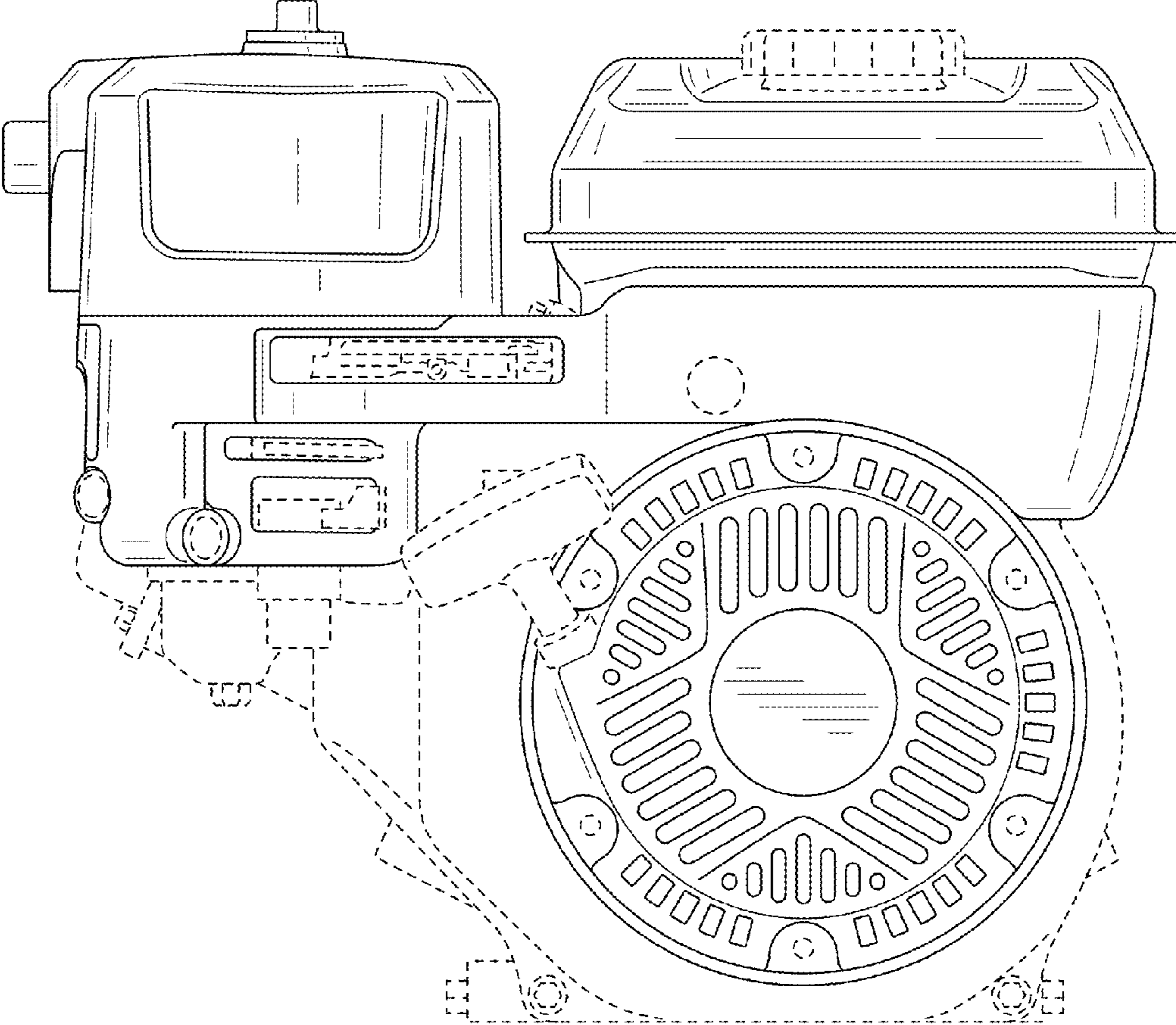


FIG. 6

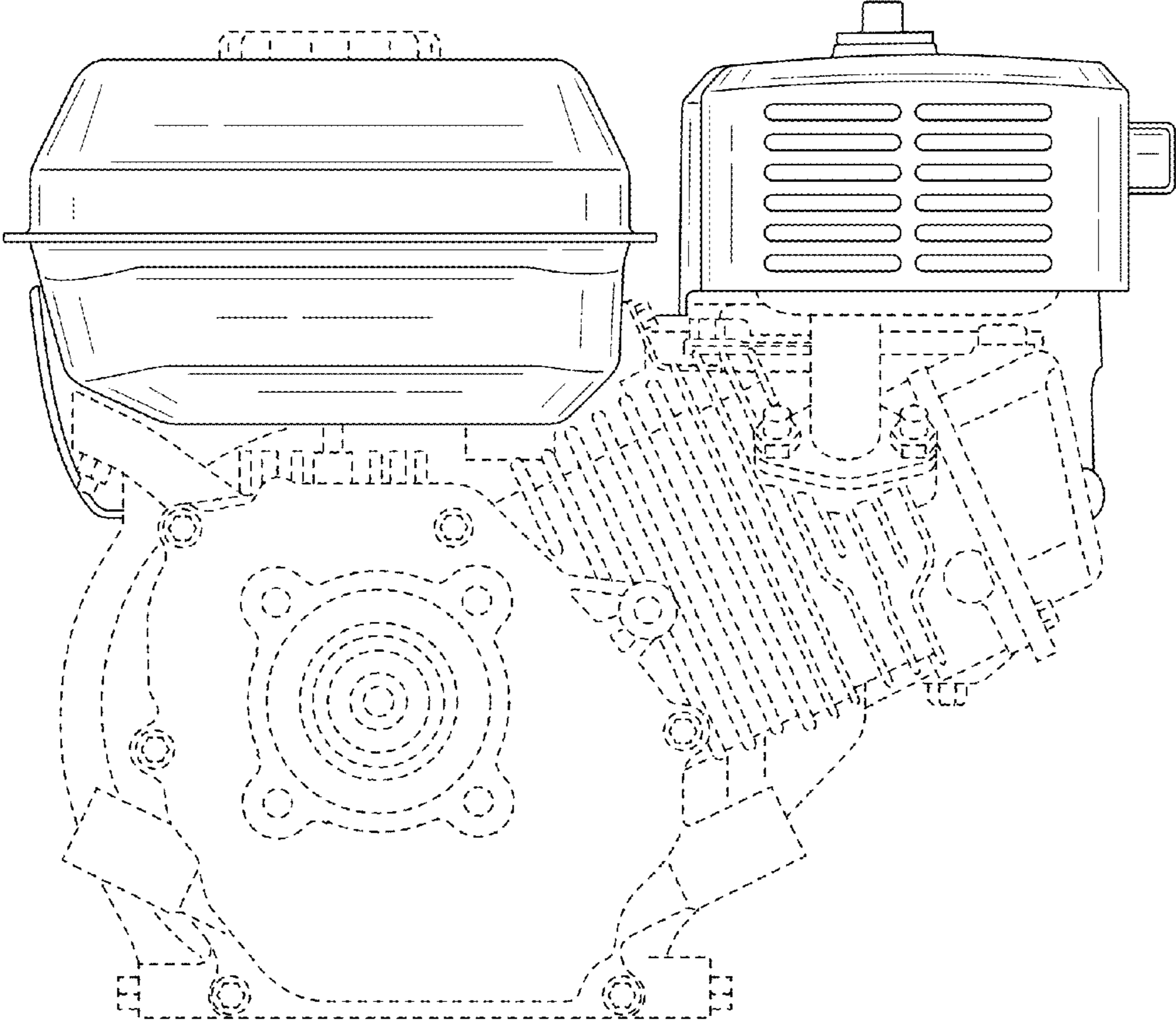


FIG. 7