



US00D689515S

(12) **United States Design Patent**
Yang et al.

(10) **Patent No.:** **US D689,515 S**

(45) **Date of Patent:** **** Sep. 10, 2013**

(54) **WASHING MACHINE HAVING IMAGE DESIGN DISPLAYED THEREON**

(75) Inventors: **Sooyoung Yang**, Seoul (KR); **Hoil Jeon**, Gyeonggi-do (KR); **Junghwan Lee**, Seoul (KR); **Wookjin Park**, Seoul (KR); **Yeji Um**, Seoul (KR); **Jungmin Park**, Seoul (KR); **Nerry Son**, Seoul (KR); **Yunmi Park**, Seoul (KR)

(73) Assignee: **LG Electronics Inc.**, Seoul (KR)

(**) Term: **14 Years**

(21) Appl. No.: **29/397,759**

(22) Filed: **Jul. 20, 2011**

(30) **Foreign Application Priority Data**

Jan. 25, 2011 (KR) 30-2011-0003191

(51) **LOC (9) Cl.** **14-04**

(52) **U.S. Cl.**
USPC **D14/489**

(58) **Field of Classification Search**
USPC D14/485, 486, 487, 488, 489, 490, D14/491, 492, 493, 494, 495; 709/217, 218, 709/219, 220, 223, 224; 715/205, 833, 834, 715/835, 863, 865, 810; 68/139, 20
See application file for complete search history.

(56) **References Cited**

U.S. PATENT DOCUMENTS

4,763,493	A *	8/1988	Nishite et al.	68/12.27
5,353,612	A *	10/1994	Noguchi et al.	68/12.02
D387,332	S *	12/1997	Harrison	D13/162
D395,426	S *	6/1998	Chiba	D14/486
D454,356	S *	3/2002	Hoxie et al.	D14/488
7,059,003	B2 *	6/2006	Bergemann et al.	8/158
D549,664	S *	8/2007	McDougal et al.	D13/162
D571,819	S *	6/2008	Scott et al.	D14/487
D577,745	S *	9/2008	Bruzelius	D15/89

D587,278	S *	2/2009	Sans	D14/492
D593,111	S *	5/2009	Danton	D14/485
D599,362	S *	9/2009	Danton	D14/485
D613,757	S *	4/2010	Barcheck et al.	D14/495
7,721,462	B2 *	5/2010	Park et al.	34/319
D622,100	S *	8/2010	Carlini	D7/405
D625,323	S *	10/2010	Matsushima et al.	D14/487
D633,526	S *	3/2011	Trabona et al.	D14/495
7,905,120	B2 *	3/2011	Mamiya et al.	68/5 C
D642,194	S *	7/2011	Kozlowski et al.	D14/488
D645,703	S *	9/2011	Sadtler	D7/405
8,024,948	B2 *	9/2011	Kitamura et al.	68/18 F
8,108,063	B2 *	1/2012	Agrawal et al.	700/143
8,240,175	B2 *	8/2012	Kim et al.	68/3 R
D667,416	S *	9/2012	Maitlen et al.	D14/486
2010/0275657	A1 *	11/2010	Park et al.	68/20
2012/0036900	A1 *	2/2012	Hong et al.	68/139
2013/0062176	A1 *	3/2013	Schuh	200/5 A
2013/0093655	A1 *	4/2013	Holzgreve et al.	345/82

* cited by examiner

Primary Examiner — Kevin Rudzinski

(74) *Attorney, Agent, or Firm* — Morgan, Lewis & Bockius LLP

(57) **CLAIM**

The ornamental design for a washing machine having image design displayed thereon, as shown and described.

DESCRIPTION

FIG. 1 is a top, front, perspective view of a washing machine having image design displayed thereon showing our new design;

FIG. 2 is a front view thereof;

FIG. 3 is a rear view thereof;

FIG. 4 is a left side view thereof;

FIG. 5 is a right side view thereof;

FIG. 6 is a top view thereof;

FIG. 7 is a bottom view thereof; and,

FIG. 8 is a reference view thereof.

The broken lines shown in the drawings illustrate portions of the washing machine that form no part of the claimed design.

1 Claim, 8 Drawing Sheets

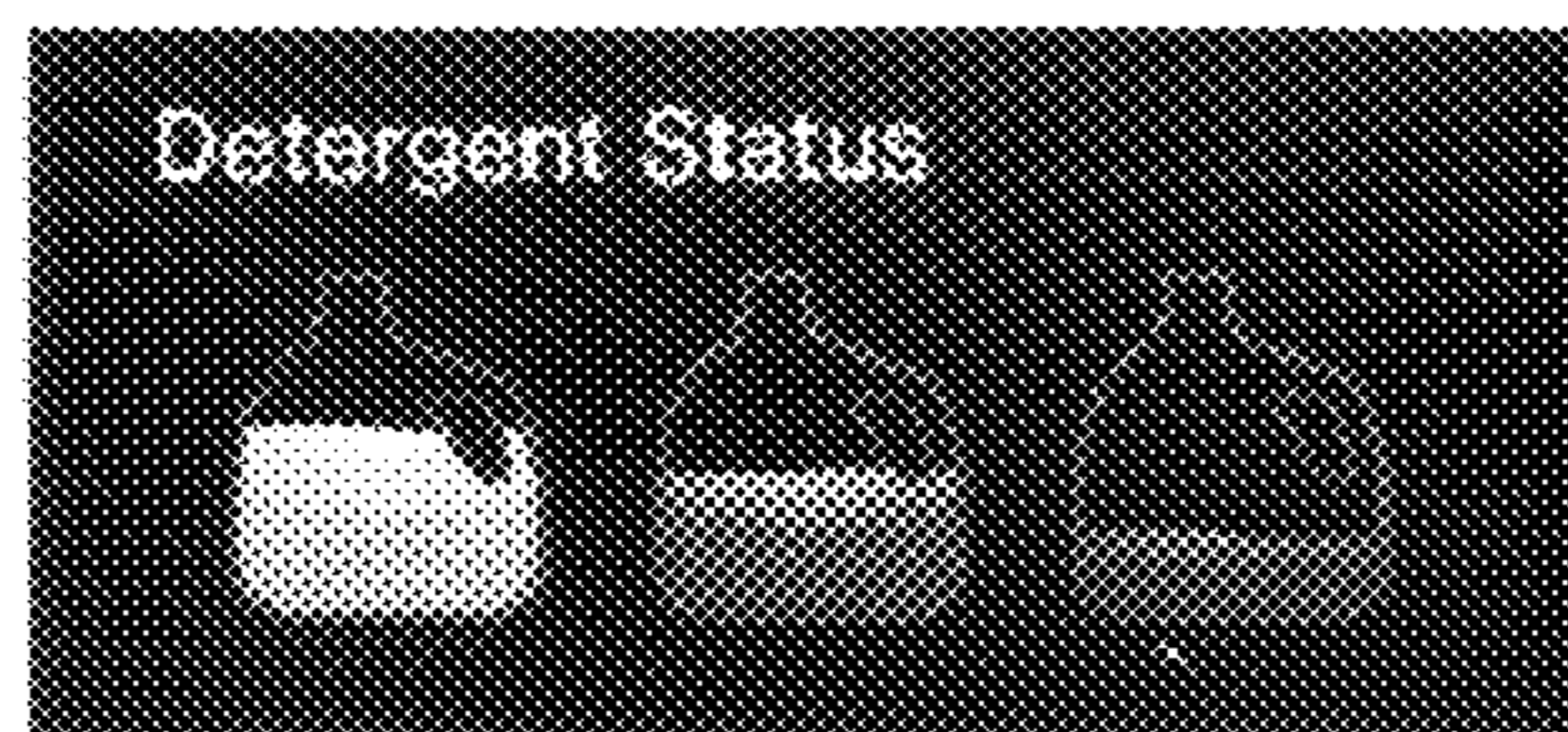
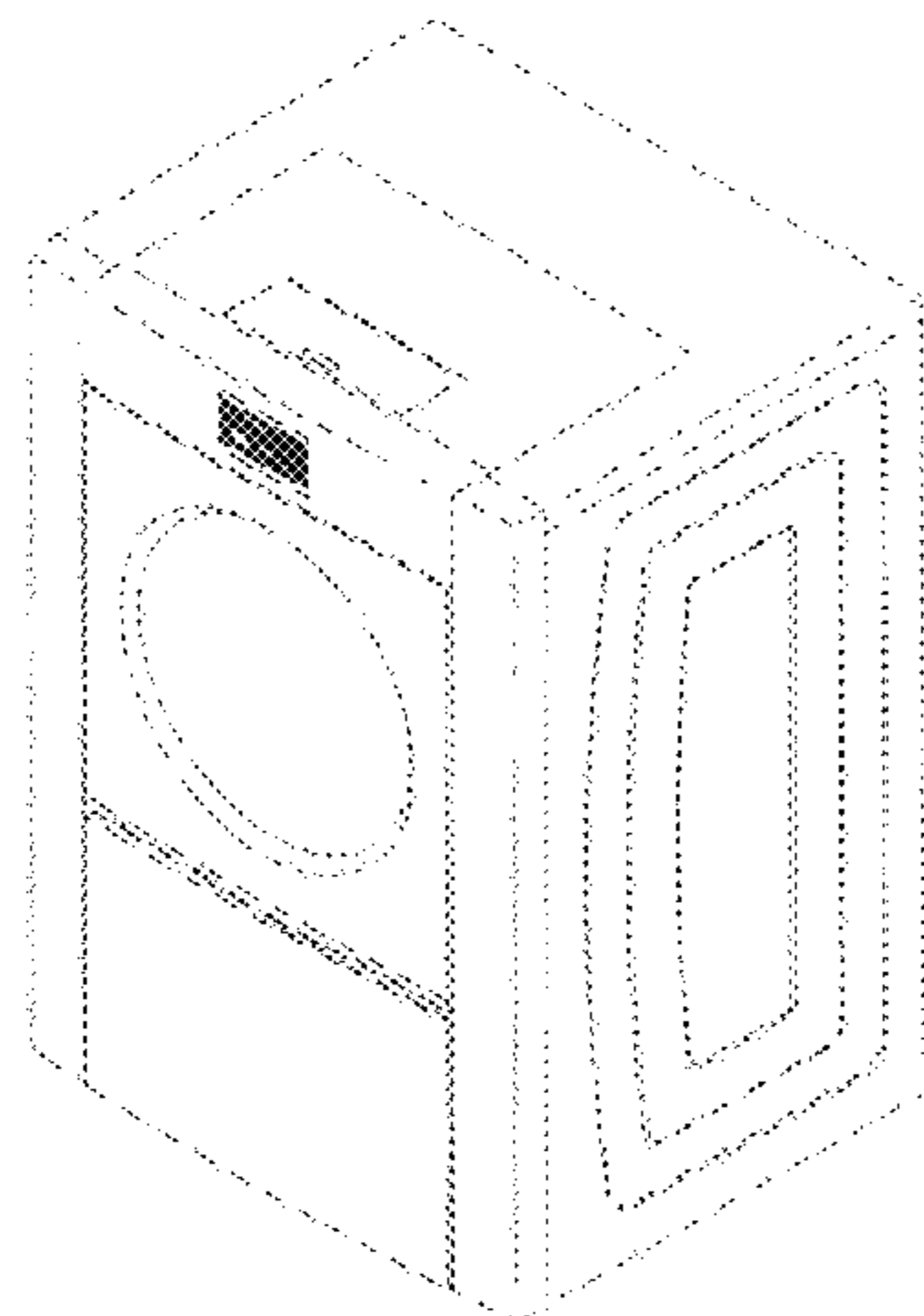


FIG. 1

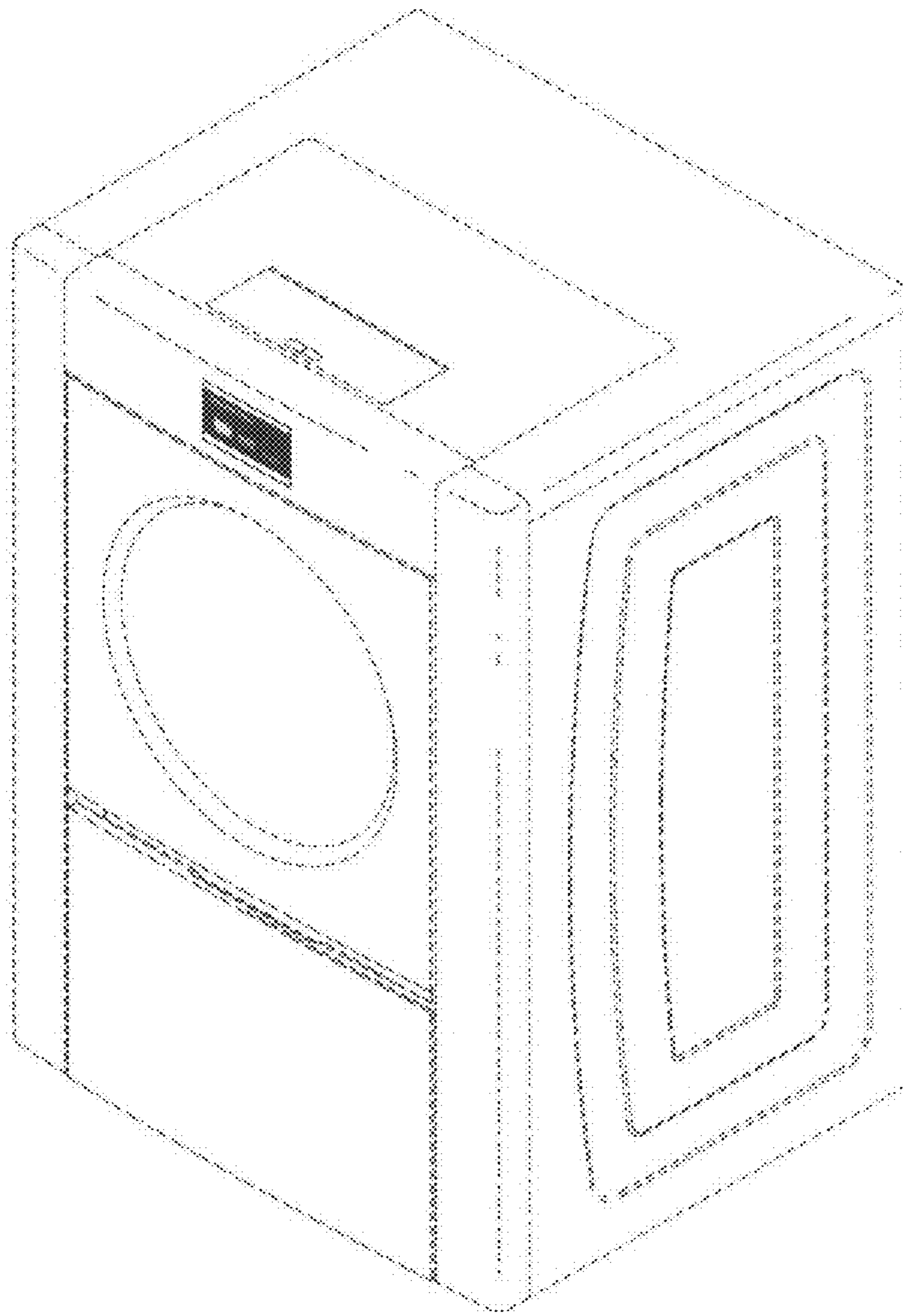


FIG. 2

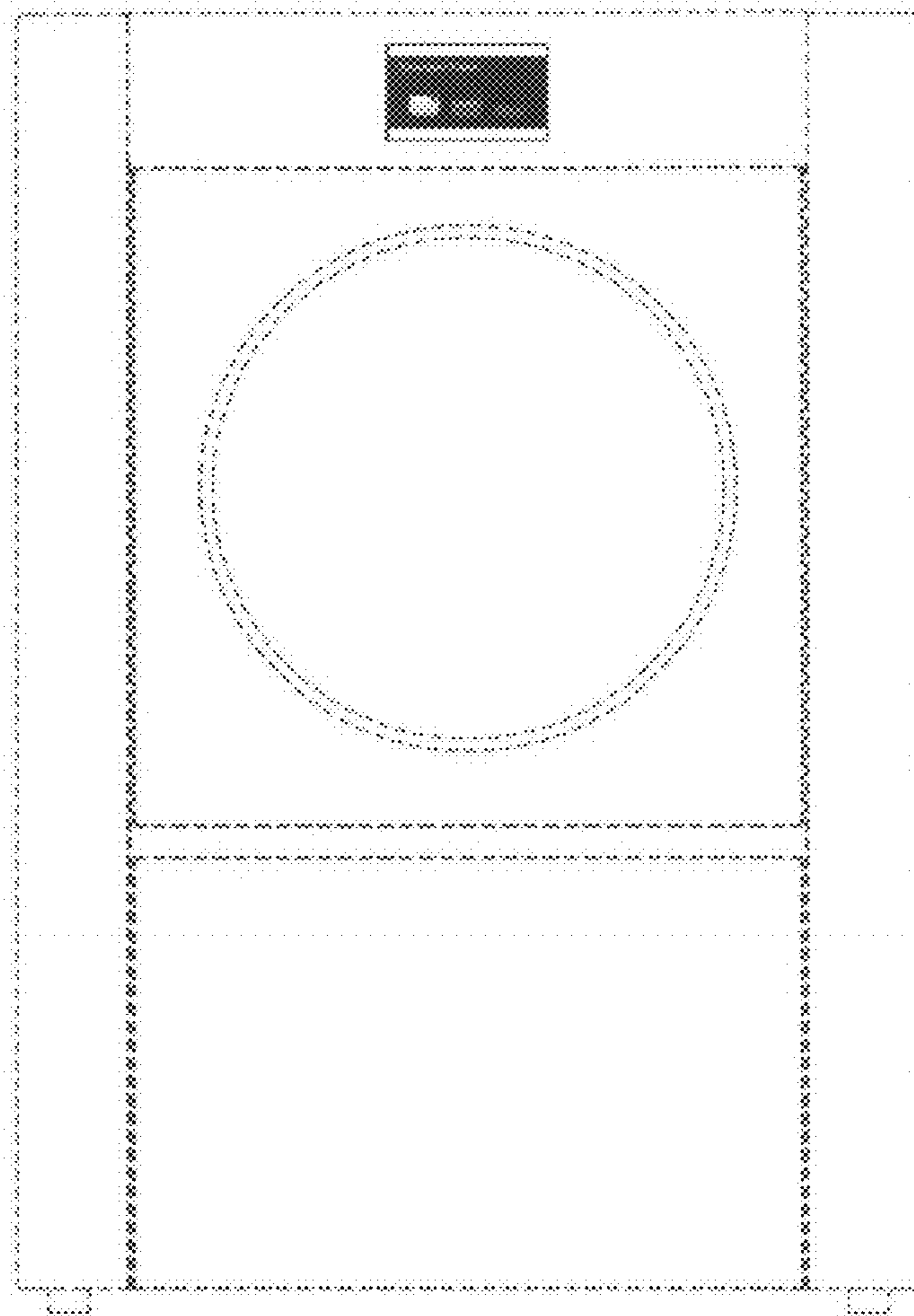


FIG. 3

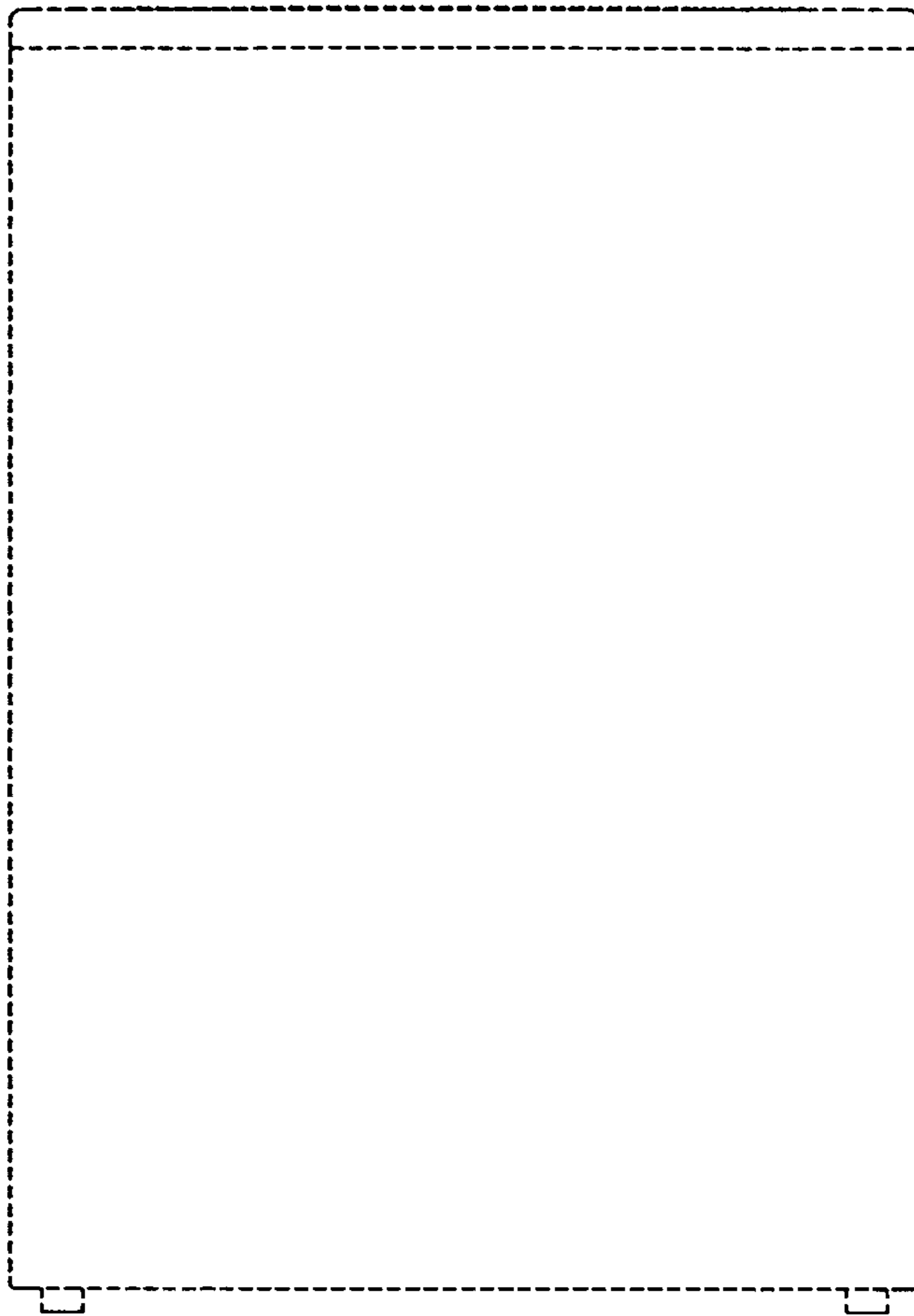


FIG. 4

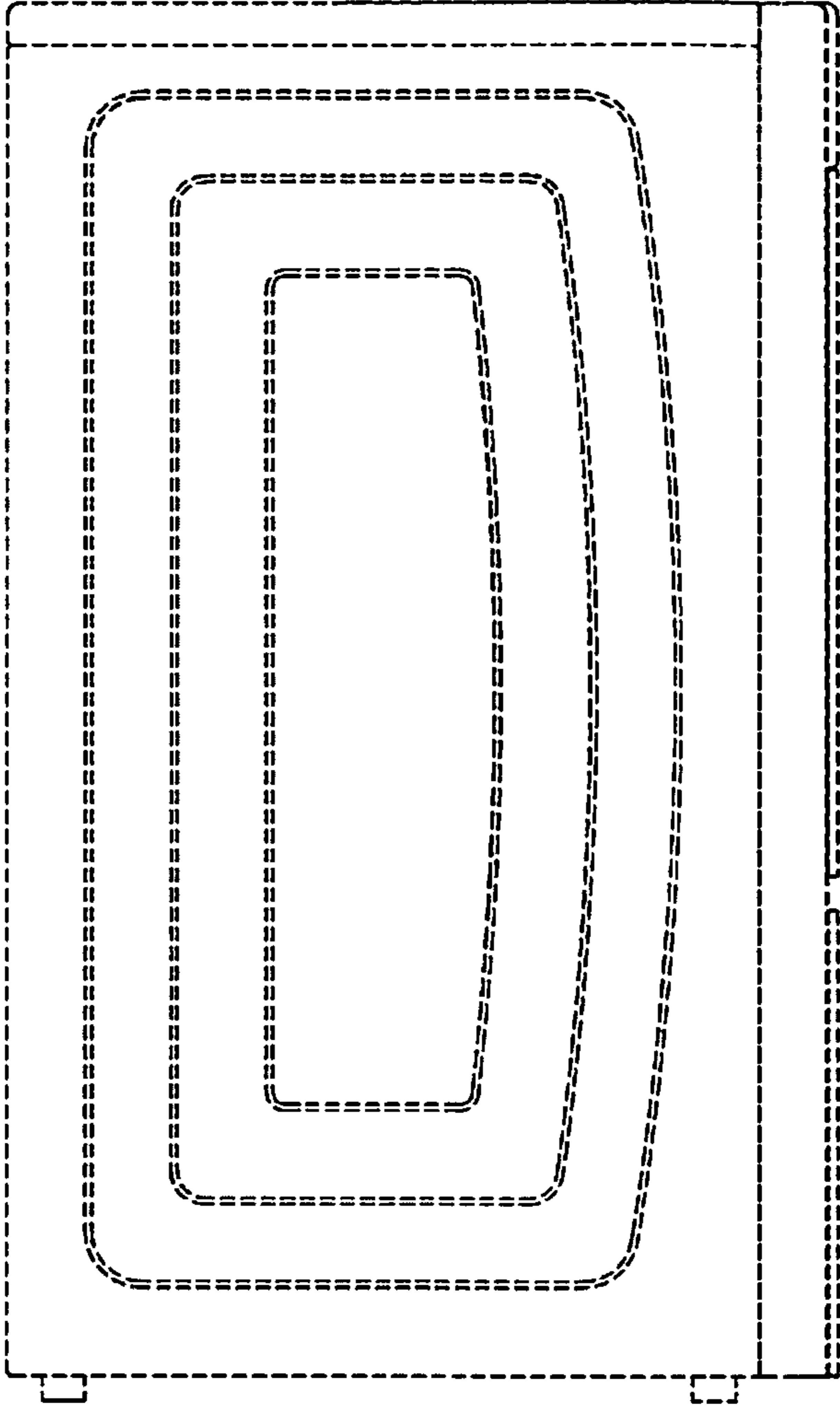


FIG. 5

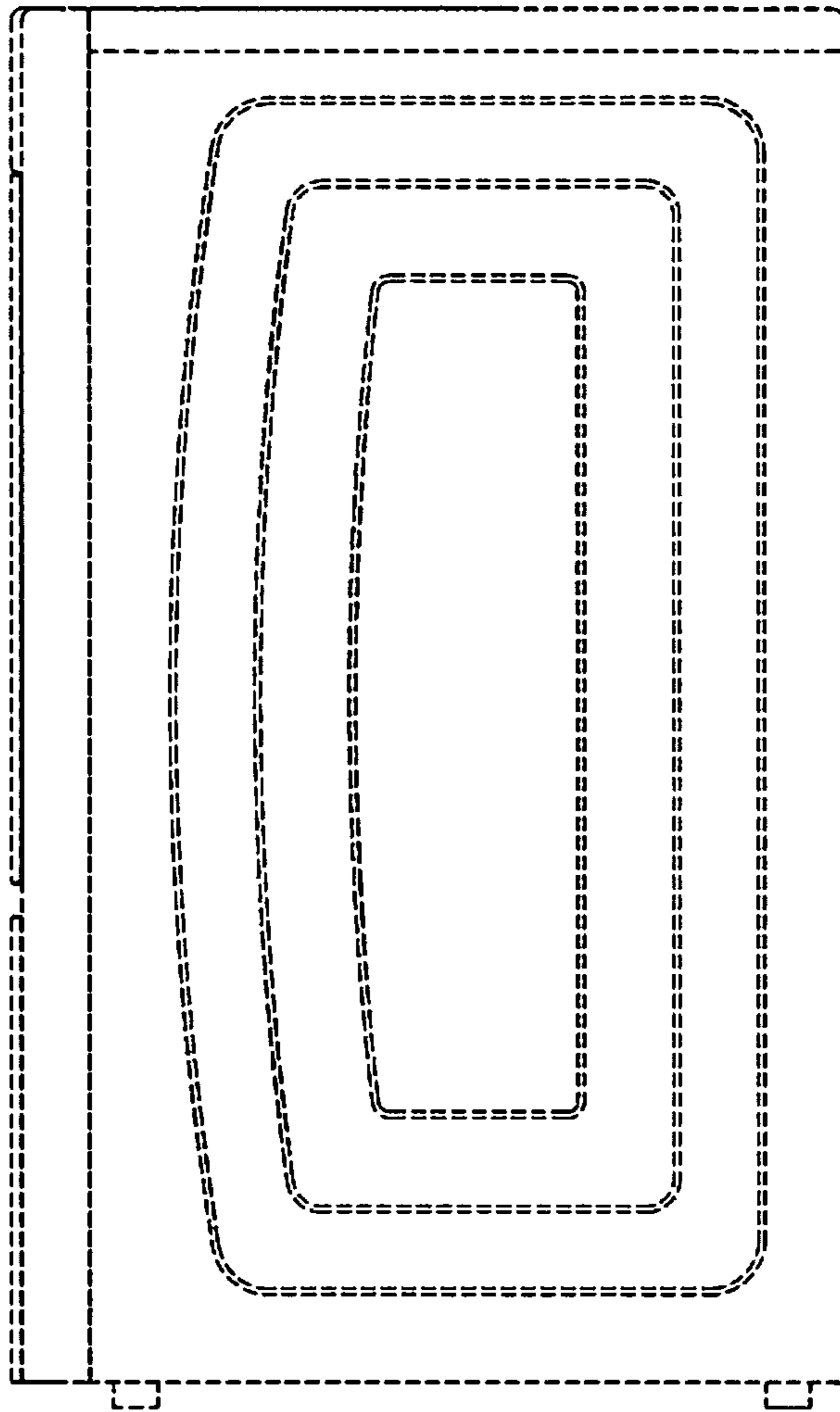


FIG. 6

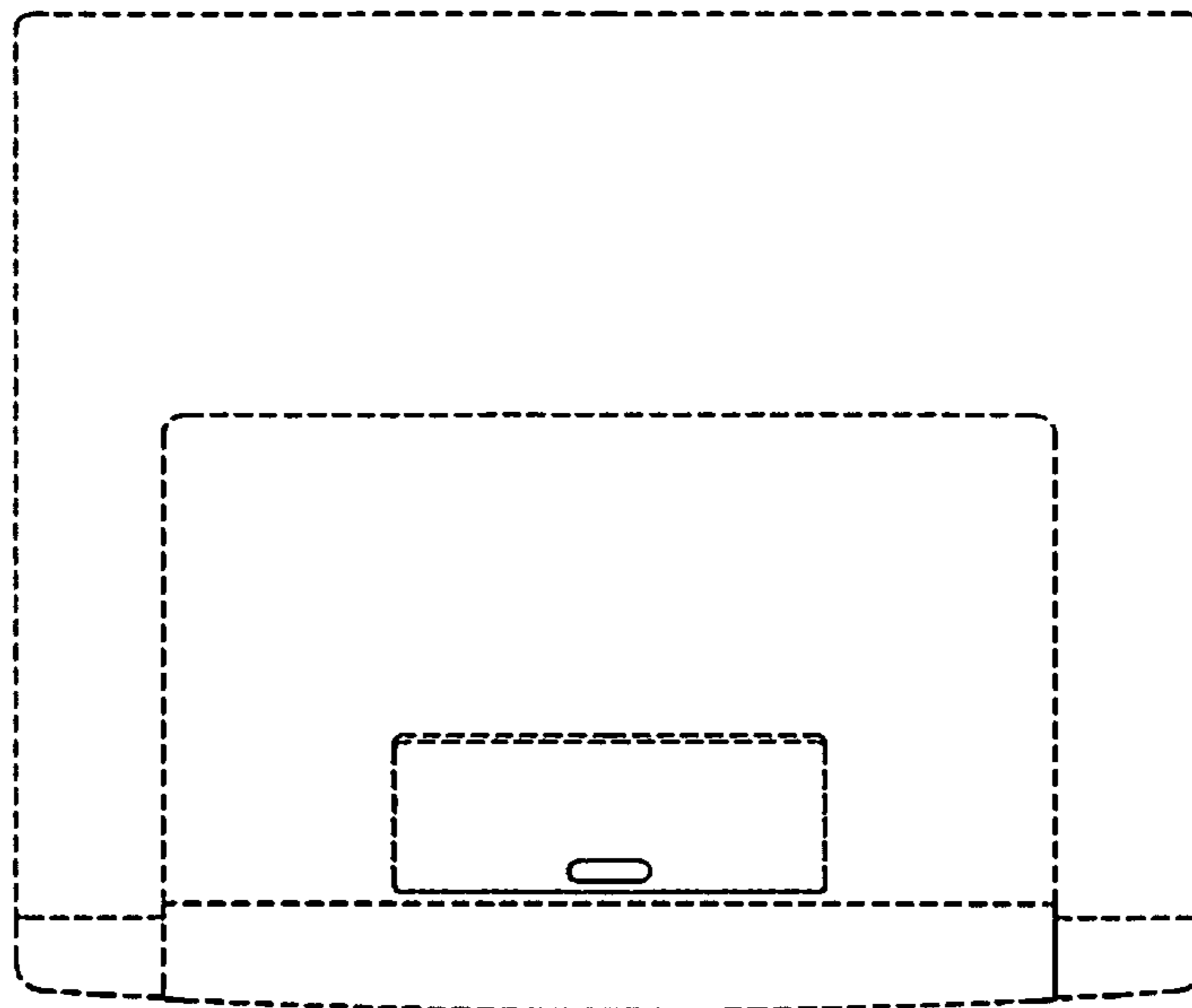


FIG. 7

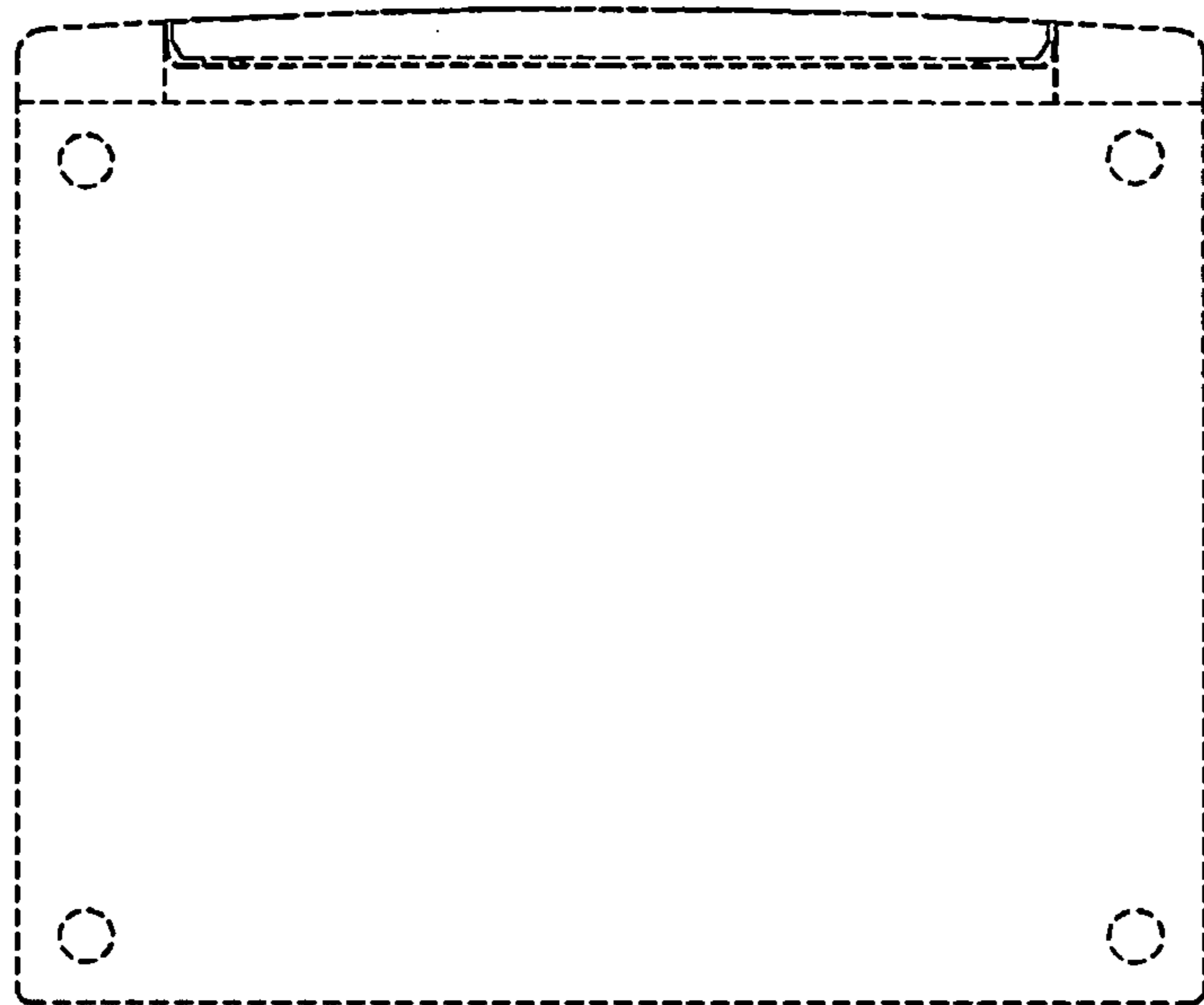


FIG. 8

