



US00D689508S

(12) **United States Design Patent**  
**Baumann**

(10) **Patent No.:** **US D689,508 S**

(45) **Date of Patent:** **\*\* Sep. 10, 2013**

(54) **DISPLAY SCREEN OR PORTION THEREOF WITH GRAPHICAL USER INTERFACE**

(75) Inventor: **Laurent Baumann**, Campbell, CA (US)

(73) Assignee: **Apple Inc.**, Cupertino, CA (US)

(\*\*) Term: **14 Years**

(21) Appl. No.: **29/412,660**

(22) Filed: **Feb. 6, 2012**

(51) **LOC (9) Cl.** ..... **14-04**

(52) **U.S. Cl.**  
USPC ..... **D14/486**

(58) **Field of Classification Search**  
USPC ..... D14/485-95; D18/24-33; D19/6,  
D19/52; D20/11; D21/324-33; 715/700-867,  
715/973-77

See application file for complete search history.

(56) **References Cited**

U.S. PATENT DOCUMENTS

1,783,484	A	12/1930	Ross	
2,510,508	A	6/1950	Mayer	
3,132,391	A	5/1964	Steenland	
4,286,358	A	9/1981	Levin	
4,658,479	A	4/1987	Sanders	
D302,280	S	7/1989	Sanders	
D304,958	S	12/1989	Gutierrez	
5,170,535	A	12/1992	Strong	
5,535,486	A	7/1996	Cabili	
D415,522	S	10/1999	Ostrander	
6,020,885	A	2/2000	Honda	
D440,979	S *	4/2001	Wang et al.	..... D14/489
D471,225	S	3/2003	Gray	

D562,343	S	2/2008	Fletcher	
7,370,284	B2 *	5/2008	Andrea et al.	..... 715/788
7,689,931	B2	3/2010	Koga et al.	
D629,814	S *	12/2010	Lew	..... D14/492
7,849,622	B2	12/2010	Flores	
8,205,166	B2	6/2012	Gotz	
D671,956	S	12/2012	Dellinger	
2008/0189658	A1	8/2008	Jeong et al.	

FOREIGN PATENT DOCUMENTS

KR	30-0400358	12/2005
KR	30-0486178	4/2008
KR	30-0486180	4/2008

OTHER PUBLICATIONS

U.S. Appl. No. 29/393,470, filed Jun. 4, 2011, inventors Anzures et al. (not published).

\* cited by examiner

*Primary Examiner* — Melanie H Tung

(74) *Attorney, Agent, or Firm* — Sterne, Kessler, Goldstein & Fox PLLC

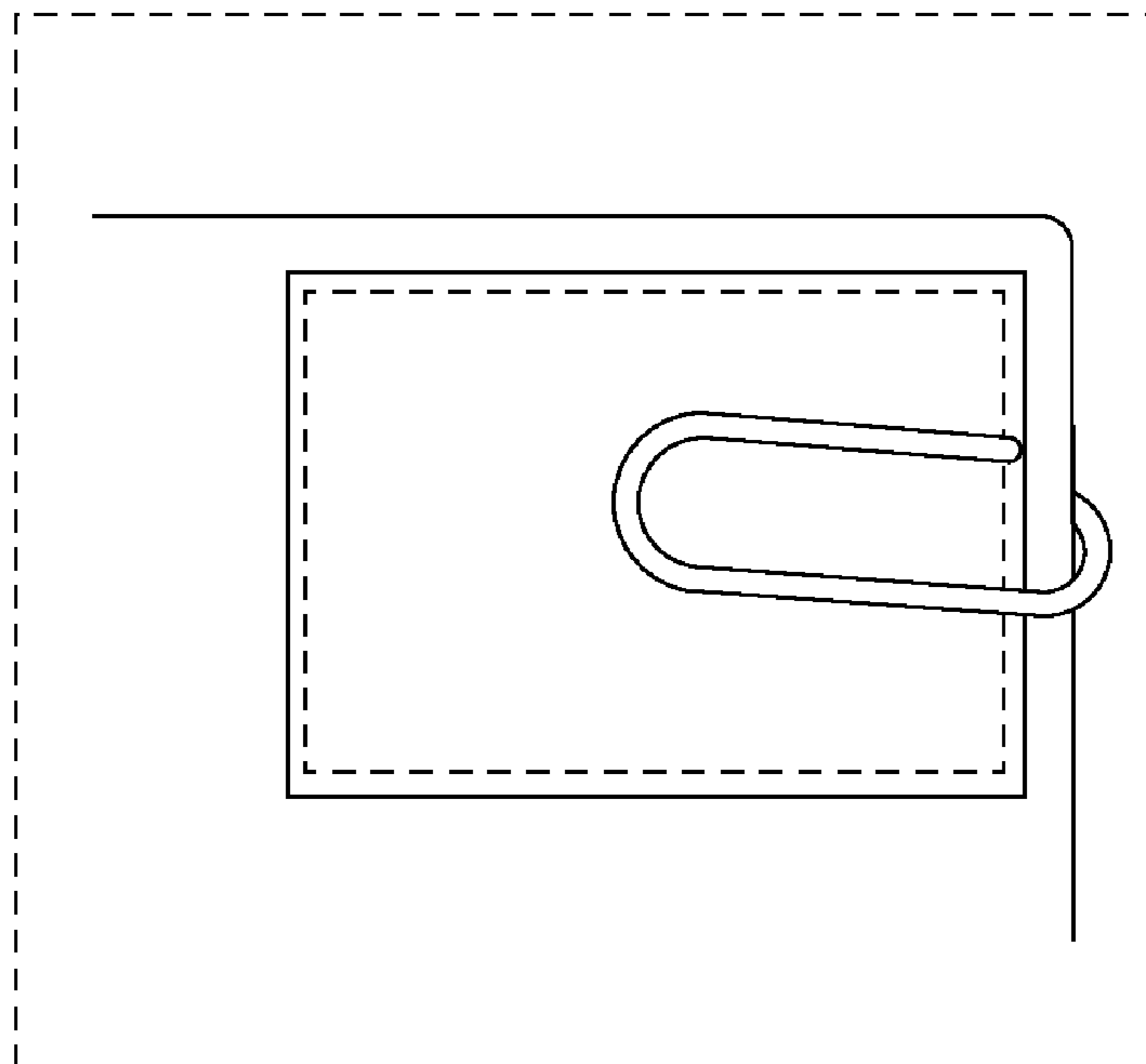
(57) **CLAIM**

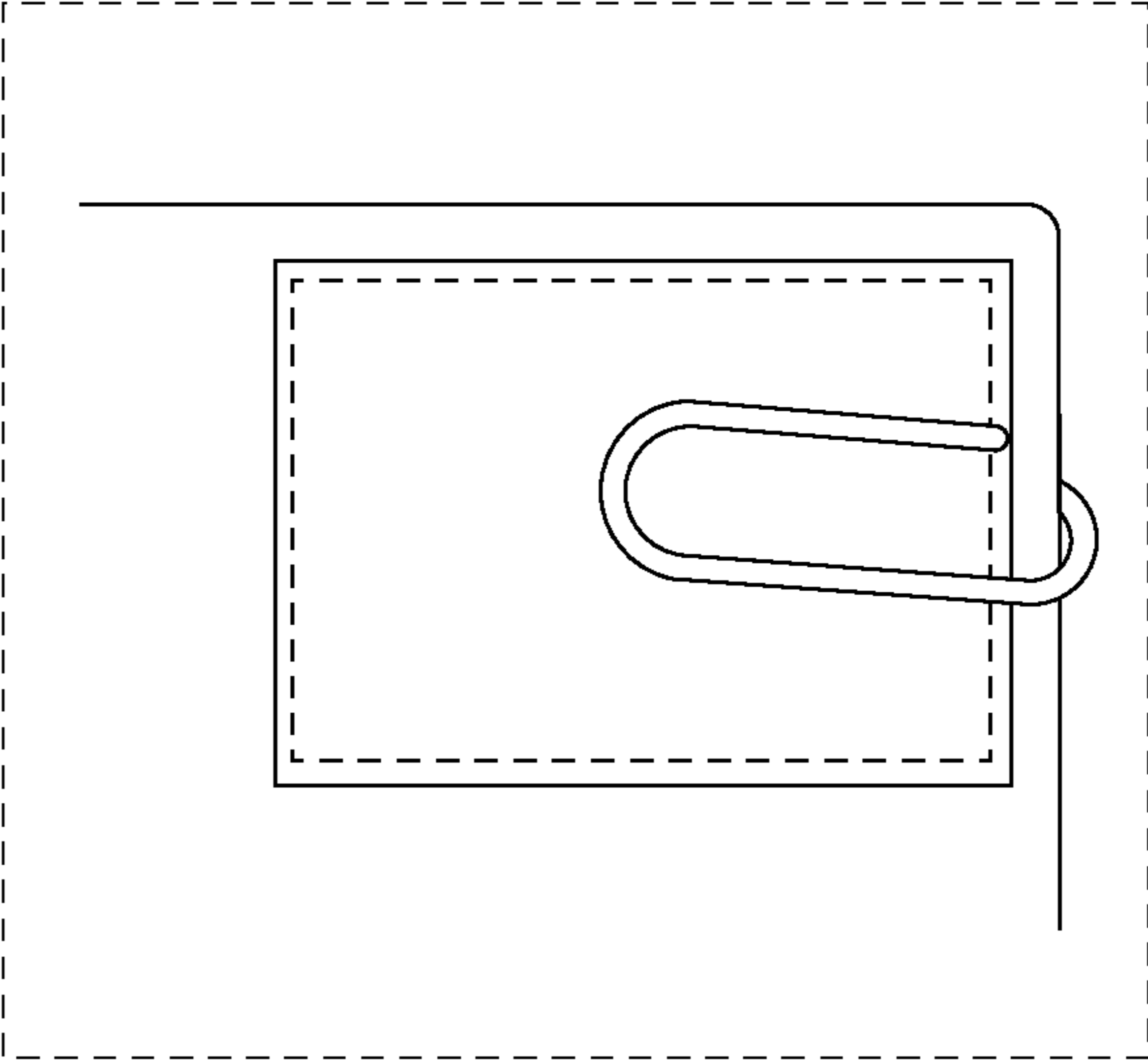
The ornamental design for a display screen or portion thereof with graphical user interface, as shown and described.

**DESCRIPTION**

The FIGURE is a front view of a display screen or portion thereof with graphical user interface showing my new design. The broken line box within the graphical user interface and the area within form no part of the claimed design.

**1 Claim, 1 Drawing Sheet**





UNITED STATES PATENT AND TRADEMARK OFFICE  
**CERTIFICATE OF CORRECTION**

PATENT NO. : D689,508 S  
APPLICATION NO. : 29/412660  
DATED : September 10, 2013  
INVENTOR(S) : Laurent Baumann

Page 1 of 1

It is certified that error appears in the above-identified patent and that said Letters Patent is hereby corrected as shown below:

On The Title Page, under Item (57) Claim

In the "DESCRIPTION" section of the issued patent, replace "The broken line box within the graphical user interface and the area within form no part of the claimed design." with --The broken lines around the Figure showing a display screen or portion thereof form no part of the claimed design. The broken line box within the graphical user interface and the area within form no part of the claimed design.--

Signed and Sealed this  
Ninth Day of February, 2016



Michelle K. Lee  
*Director of the United States Patent and Trademark Office*