



US00D689503S

(12) **United States Design Patent**
Wu

(10) **Patent No.:** **US D689,503 S**
(45) **Date of Patent:** **** Sep. 10, 2013**

- (54) **PORTABLE STORAGE DEVICE**
- (71) Applicant: **Transcend Information, Inc.**, Taipei (TW)
- (72) Inventor: **Shih-Ting Wu**, Taipei (TW)
- (73) Assignee: **Transcend Information, Inc.**, NeiHu Dist., Taipei (TW)
- (**) Term: **14 Years**
- (21) Appl. No.: **29/445,030**
- (22) Filed: **Feb. 6, 2013**
- (51) **LOC (9) Cl.** **14-02**
- (52) **U.S. Cl.**
USPC **D14/480.5**
- (58) **Field of Classification Search**
USPC D14/411, 433, 435.1, 436, 480.1–480.7,
D14/484.1, 137, 155, 203.1–203.8, 240;
D13/133, 154; 710/300, 301;
439/131, 135–147; 361/679.31, 679.33,
361/679.4, 752; 711/100, 115
See application file for complete search history.

D486,829	S	*	2/2004	Wang et al.	D14/480.5
D492,307	S	*	6/2004	Aqqad et al.	D14/480.5
D519,503	S	*	4/2006	Aqqad et al.	D14/480.5
7,296,098	B2	*	11/2007	Shih	710/13
D602,441	S	*	10/2009	Wu et al.	D13/147
D607,462	S	*	1/2010	Chen	D14/480.5
D610,134	S	*	2/2010	Gotzen	D14/480.5
D648,730	S	*	11/2011	Huang	D14/480.5
D673,164	S	*	12/2012	Lin et al.	D14/480.5
2005/0247796	A1	*	11/2005	Chen	235/492

OTHER PUBLICATIONS

Fastest Five USB Flash Drives, [online] posted Jan. 4, 2012 [retrieved on Aug. 6, 2012]. Retrieved from the Internet <URL: <http://www.etchmag.com/2012/01/04/fastest-five-usb-flash-drives.html>>.*

* cited by examiner

Primary Examiner — Karen E Kearney
(74) *Attorney, Agent, or Firm* — Winston Hsu; Scott Margo

(57) **CLAIM**
The ornamental design for a portable storage device, as shown and described.

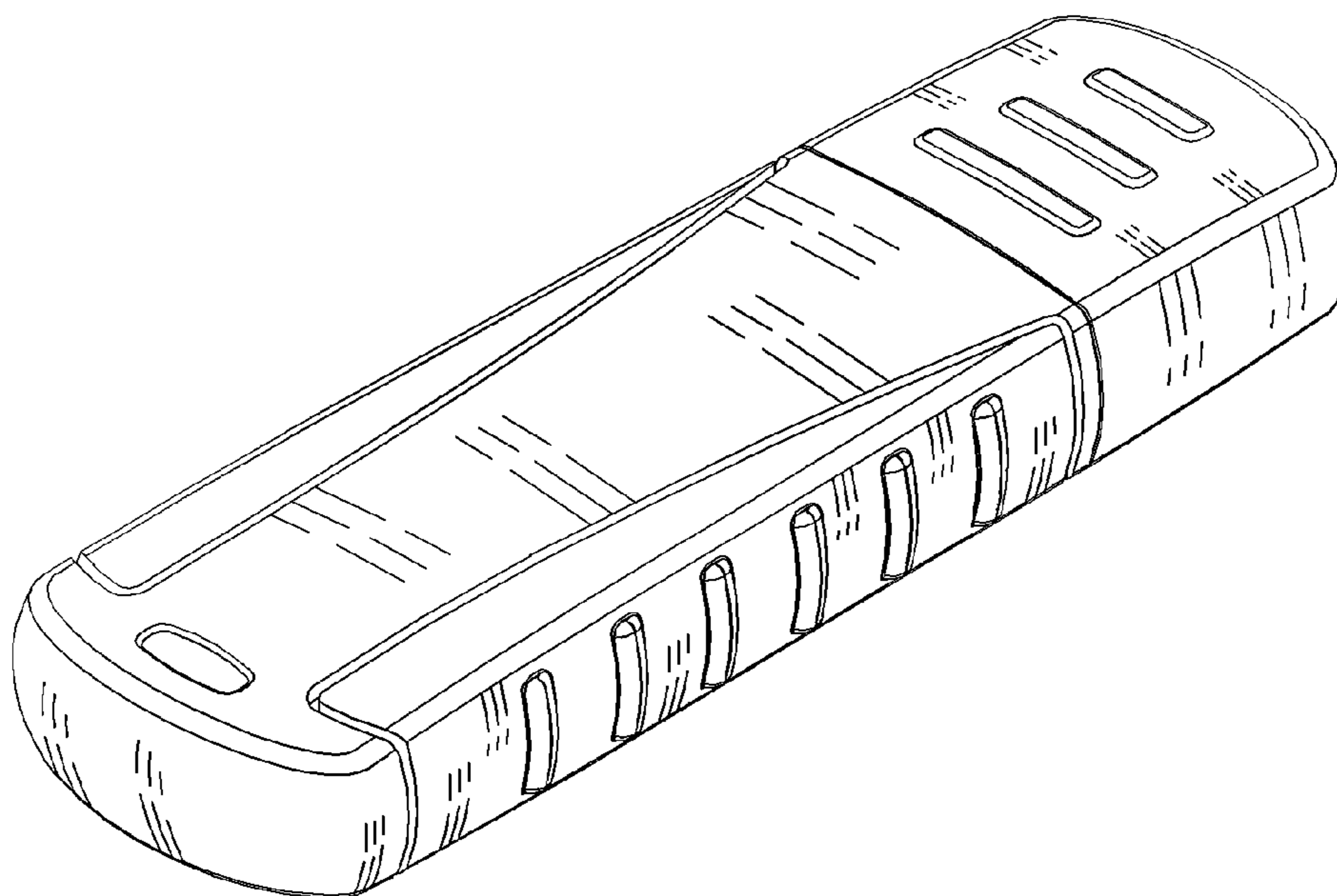
DESCRIPTION

FIG. 1 is a front view of a portable storage device;
FIG. 2 is a rear view thereof;
FIG. 3 is a left side elevational view thereof;
FIG. 4 is a right side elevational view thereof;
FIG. 5 is a bottom plan view thereof;
FIG. 6 is a top plan view thereof; and,
FIG. 7 is a perspective view thereof.

1 Claim, 7 Drawing Sheets

- (56) **References Cited**

U.S. PATENT DOCUMENTS
D462,689 S * 9/2002 Moran D14/480.5
6,561,421 B1 * 5/2003 Yu 235/451



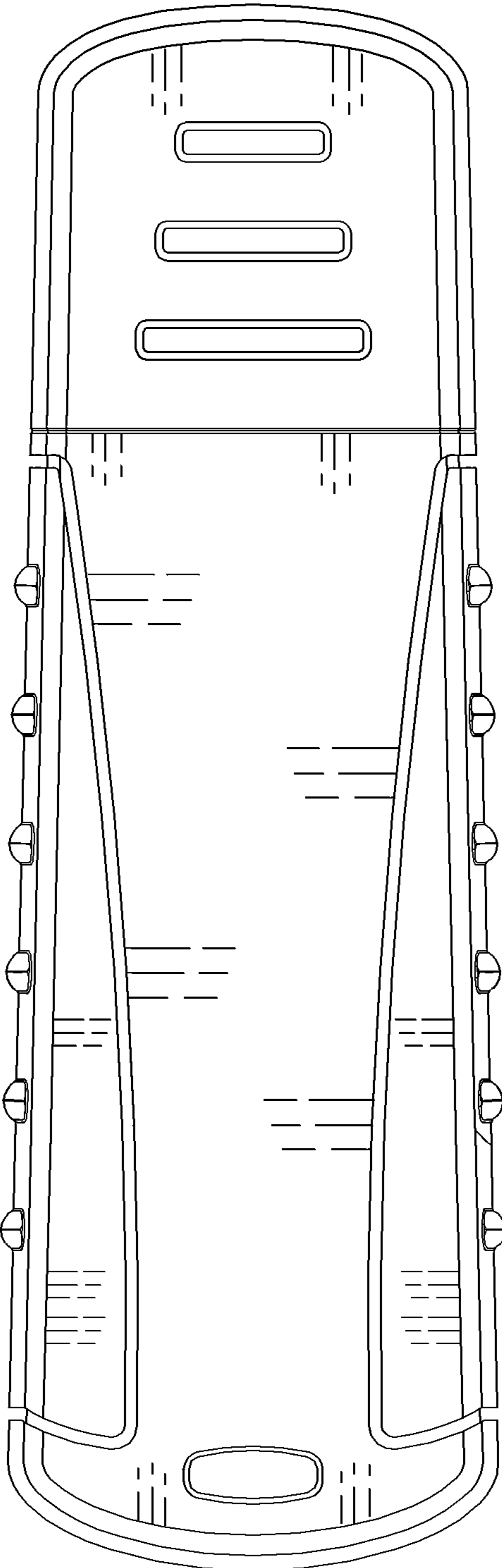


FIG. 1

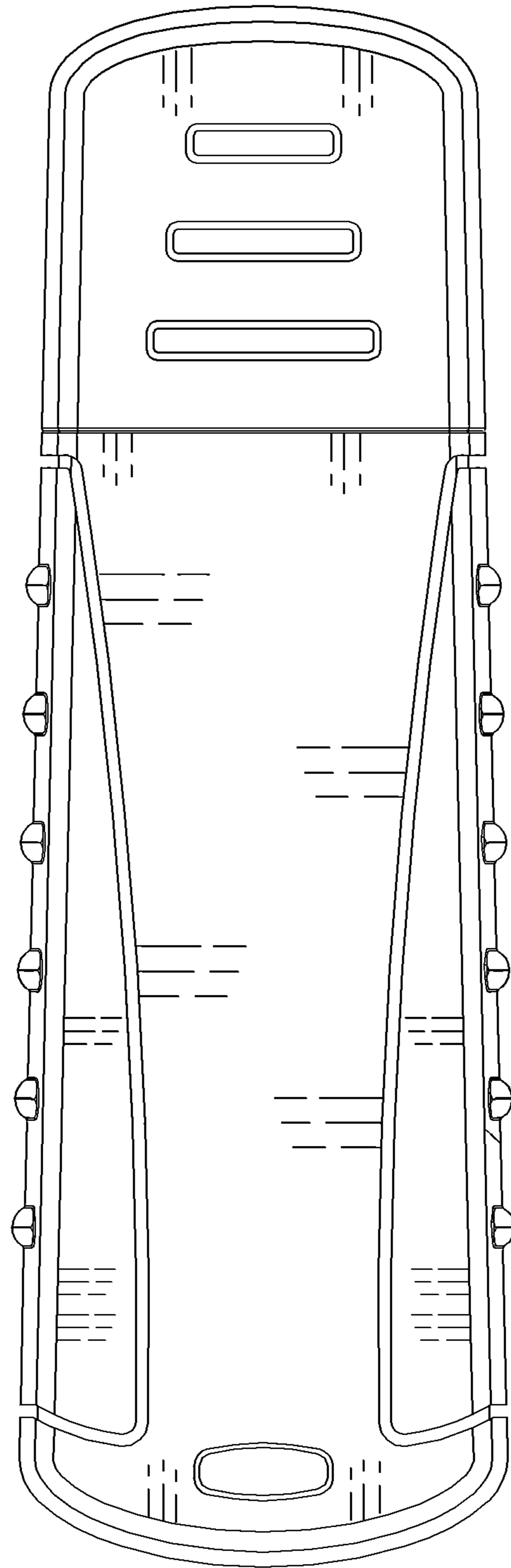


FIG. 2

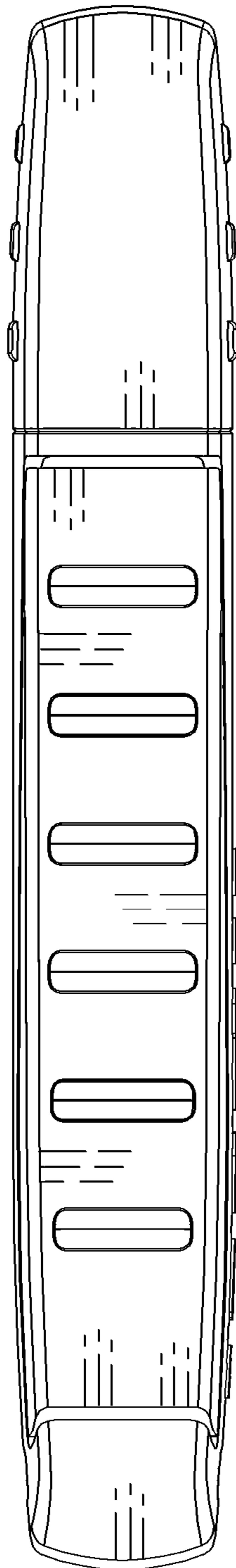


FIG. 3

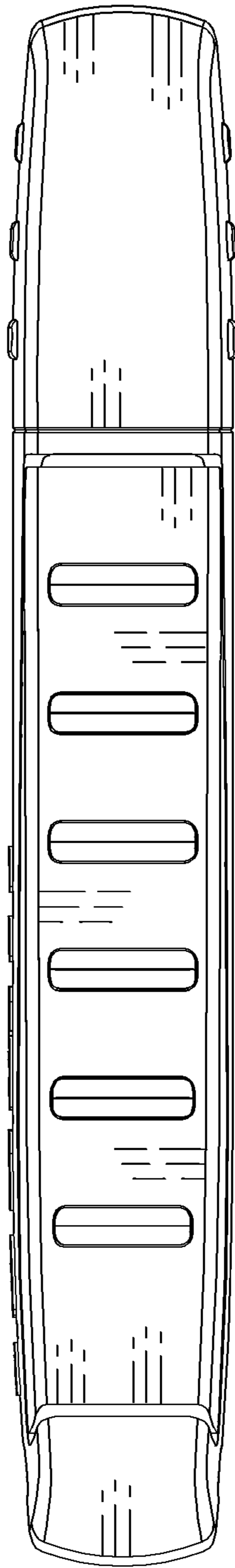


FIG. 4

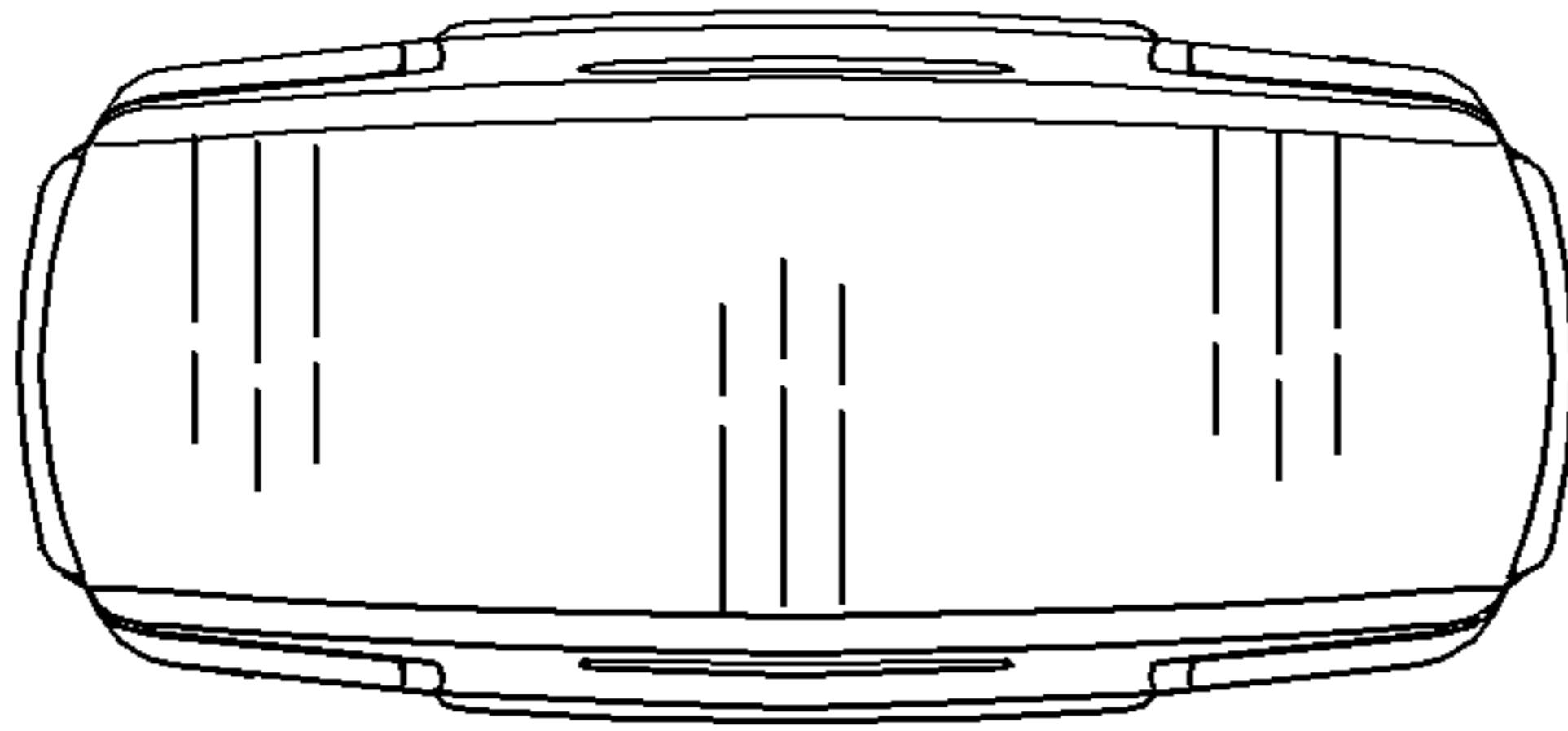


FIG. 5

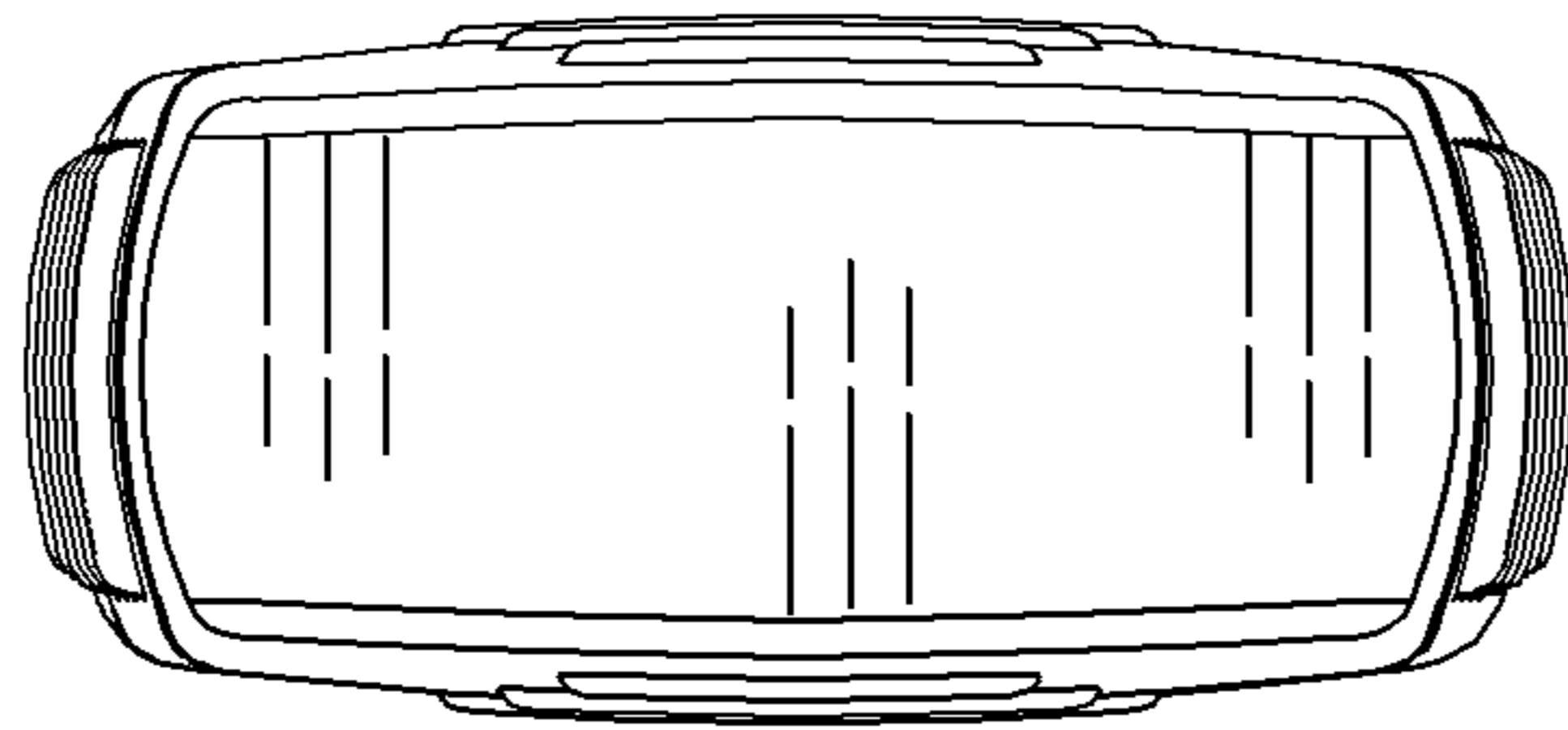


FIG. 6

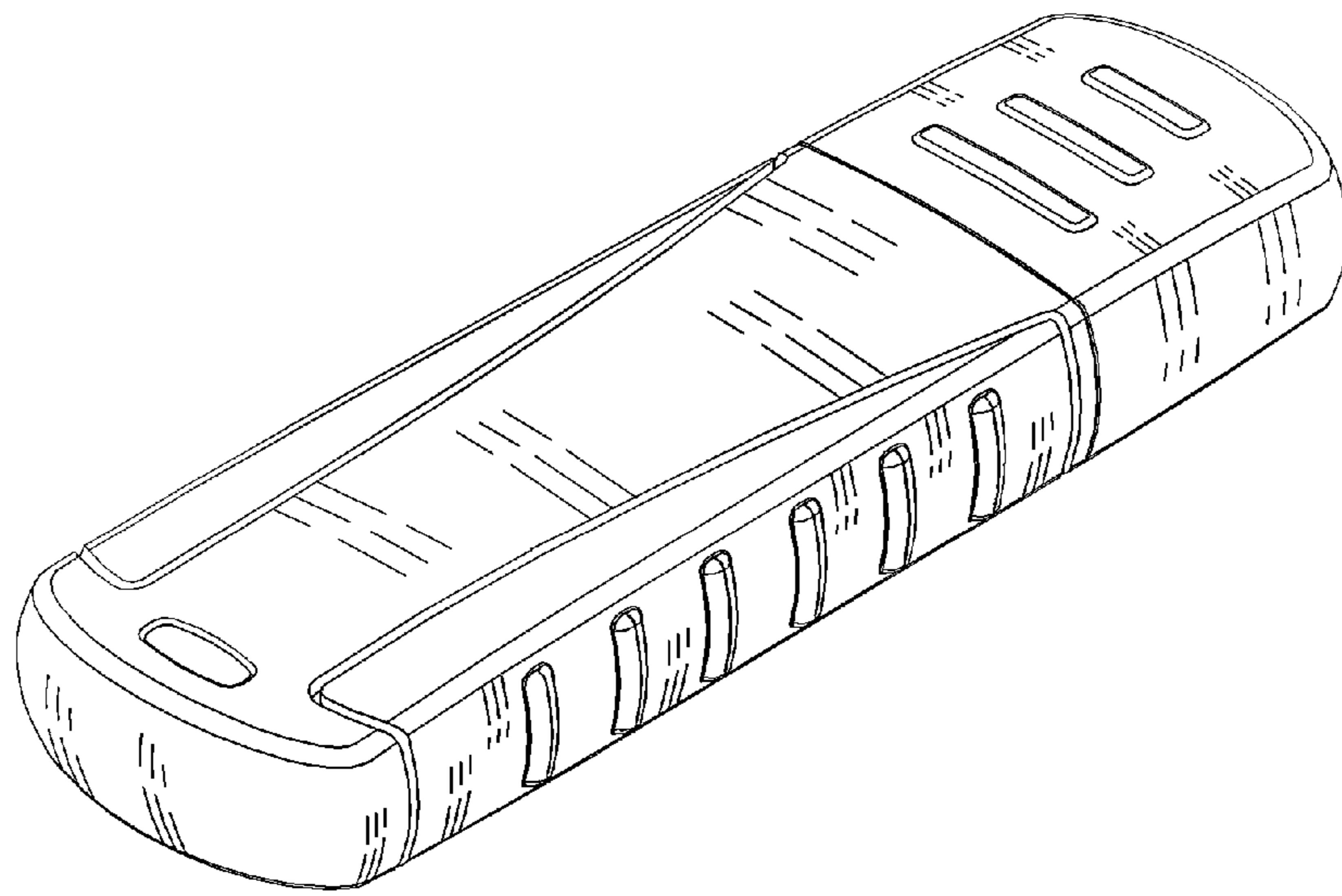


FIG. 7