

US00D689501S

(12) **United States Design Patent**  
**Fong**

(10) **Patent No.:** **US D689,501 S**

(45) **Date of Patent:** **\*\* Sep. 10, 2013**

(54) **TABLET OR MOBILE DEVICE**  
**FRICITION/ADHESIVE TILT MECHANISM**

(71) Applicant: **Chung Fong Fong**, Chicago, IL (US)

(72) Inventor: **Chung Fong Fong**, Chicago, IL (US)

(\*\*) Term: **14 Years**

(21) Appl. No.: **29/435,250**

(22) Filed: **Oct. 22, 2012**

(51) **LOC (9) Cl.** ..... **08-07**

(52) **U.S. Cl.**  
USPC ..... **D14/447**

(58) **Field of Classification Search**  
USPC ..... D14/432, 433, 434, 439, 440, 451,  
D14/452, 239, 217, 224.1, 251, 252, 253,  
D14/457, 458, 459, 460, 461; D6/406.1,  
D6/406.2, 406.3, 406.4, 406.5, 406.6;  
361/679.06, 679.21, 679.22, 679.24, 679.26,  
361/679.27, 679.28, 679.3, 679.55, 679.56,  
361/709; 248/917-924, 133, 136, 139, 150,  
248/176.1, 188.6; D13/108, 110  
See application file for complete search history.

(56) **References Cited**

U.S. PATENT DOCUMENTS

D639,296 S \* 6/2011 Tseng et al. .... D14/345  
D672,353 S \* 12/2012 Liu ..... D14/440

D672,781 S \* 12/2012 Lu ..... D14/440  
8,328,008 B2 \* 12/2012 Diebel et al. .... 206/45.24  
D674,800 S \* 1/2013 Kim ..... D14/440  
D676,050 S \* 2/2013 Sanz ..... D14/440  
D676,853 S \* 2/2013 Gengler ..... D14/447  
D677,668 S \* 3/2013 Phillips et al. .... D14/440  
D678,886 S \* 3/2013 Heckler ..... D14/447  
D679,278 S \* 4/2013 Cho et al. .... D14/440  
D682,839 S \* 5/2013 Sampson et al. .... D14/447  
2012/0075789 A1 \* 3/2012 DeCamp et al. .... 361/679.26  
2013/0083465 A1 \* 4/2013 Motoishi et al. .... 361/679.21

\* cited by examiner

*Primary Examiner* — Angela J Lee

(74) *Attorney, Agent, or Firm* — Sinorica, LLC

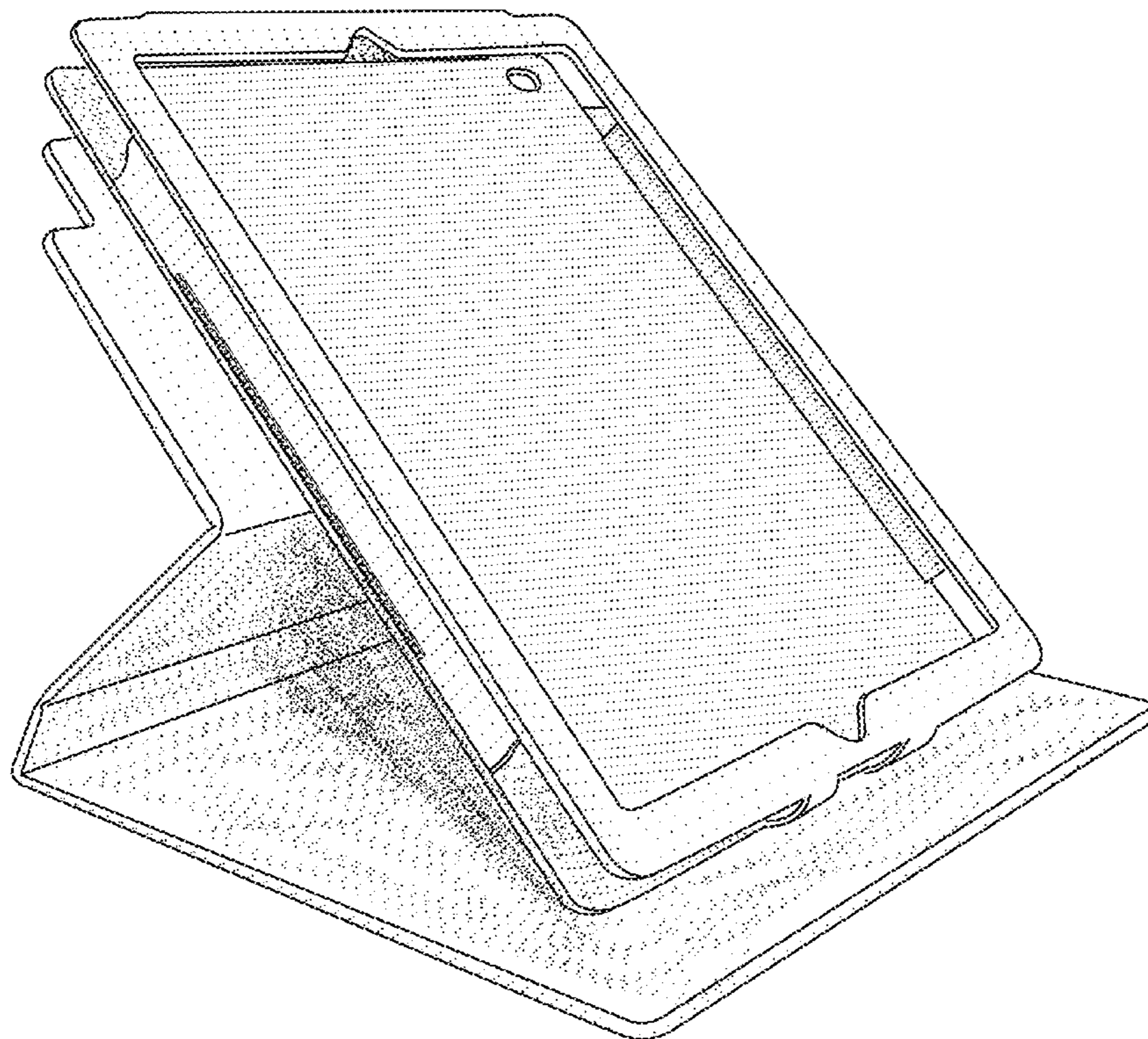
(57) **CLAIM**

The ornamental design of a tablet or mobile device friction/adhesive tilt mechanism, as shown and described.

**DESCRIPTION**

FIG. 1 is a rear elevational view of a tablet or mobile device friction/adhesive tilt mechanism showing our new design; FIG. 2 is a bottom plan view thereof; FIG. 3 is a front elevational view thereof; FIG. 4 is a left-side elevational view thereof; FIG. 5 is a right-side elevational view thereof; FIG. 6 is a perspective view thereof; and, FIG. 7 is a top plan view thereof.

**1 Claim, 7 Drawing Sheets**



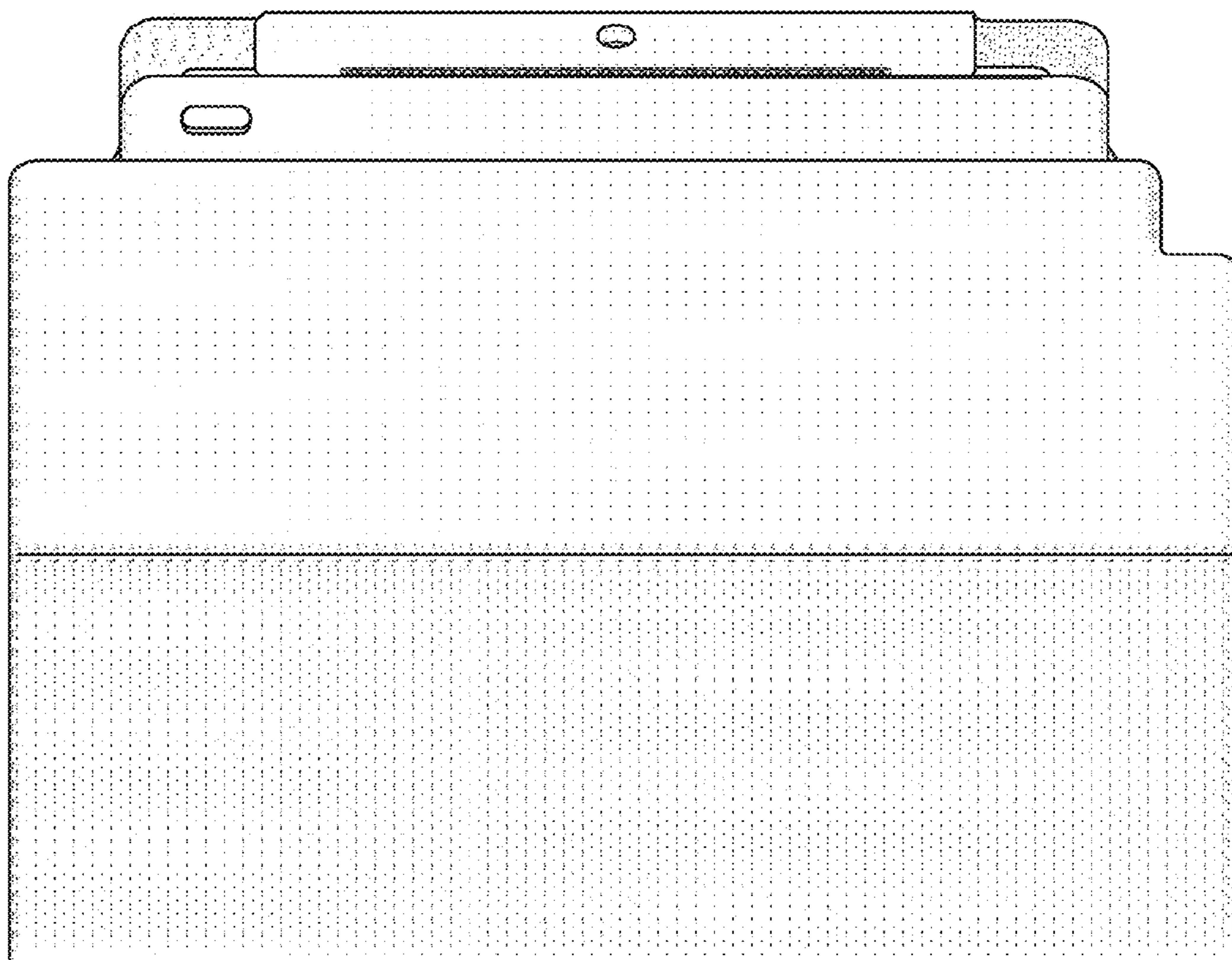


FIG. 1

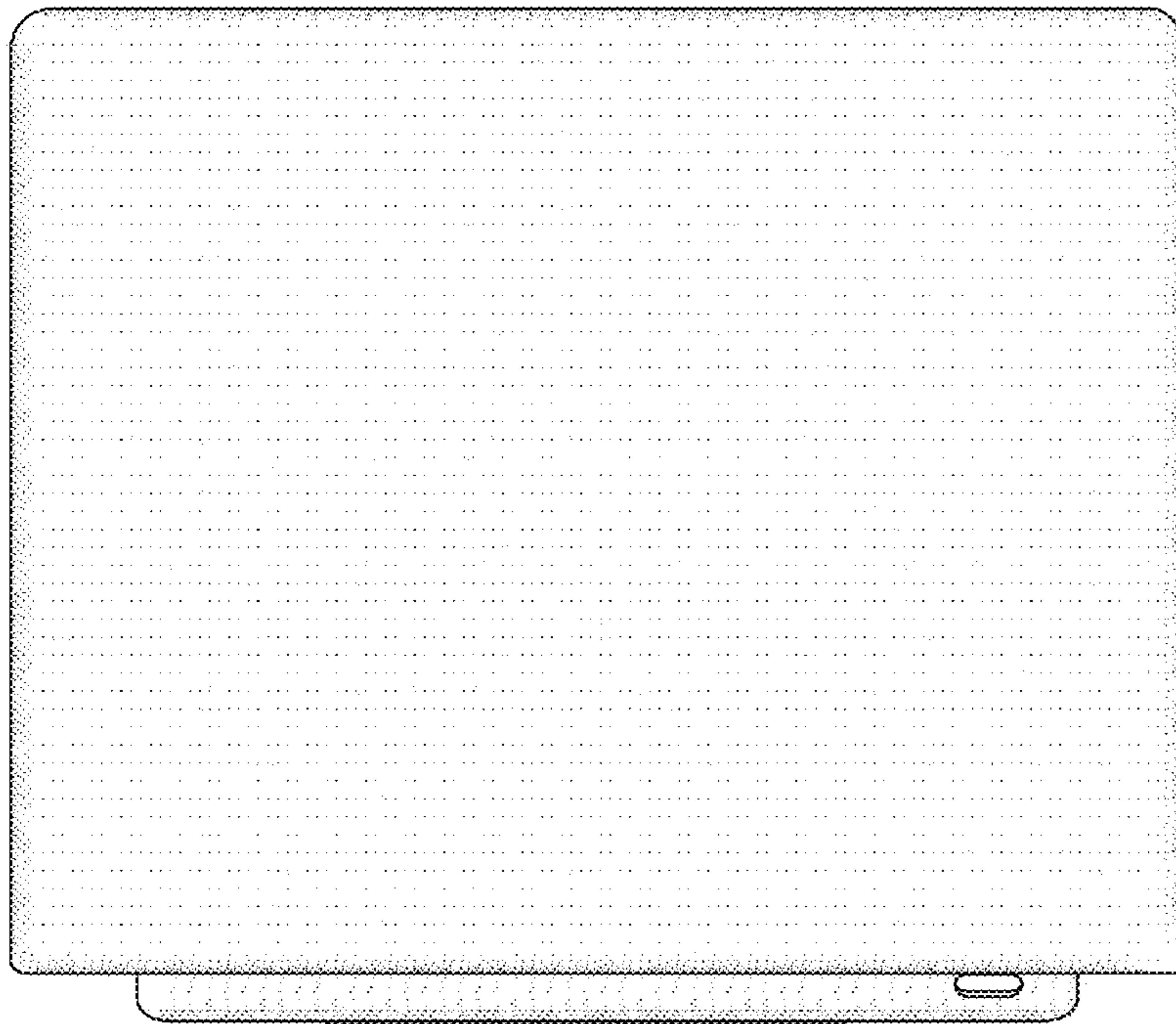


FIG. 2



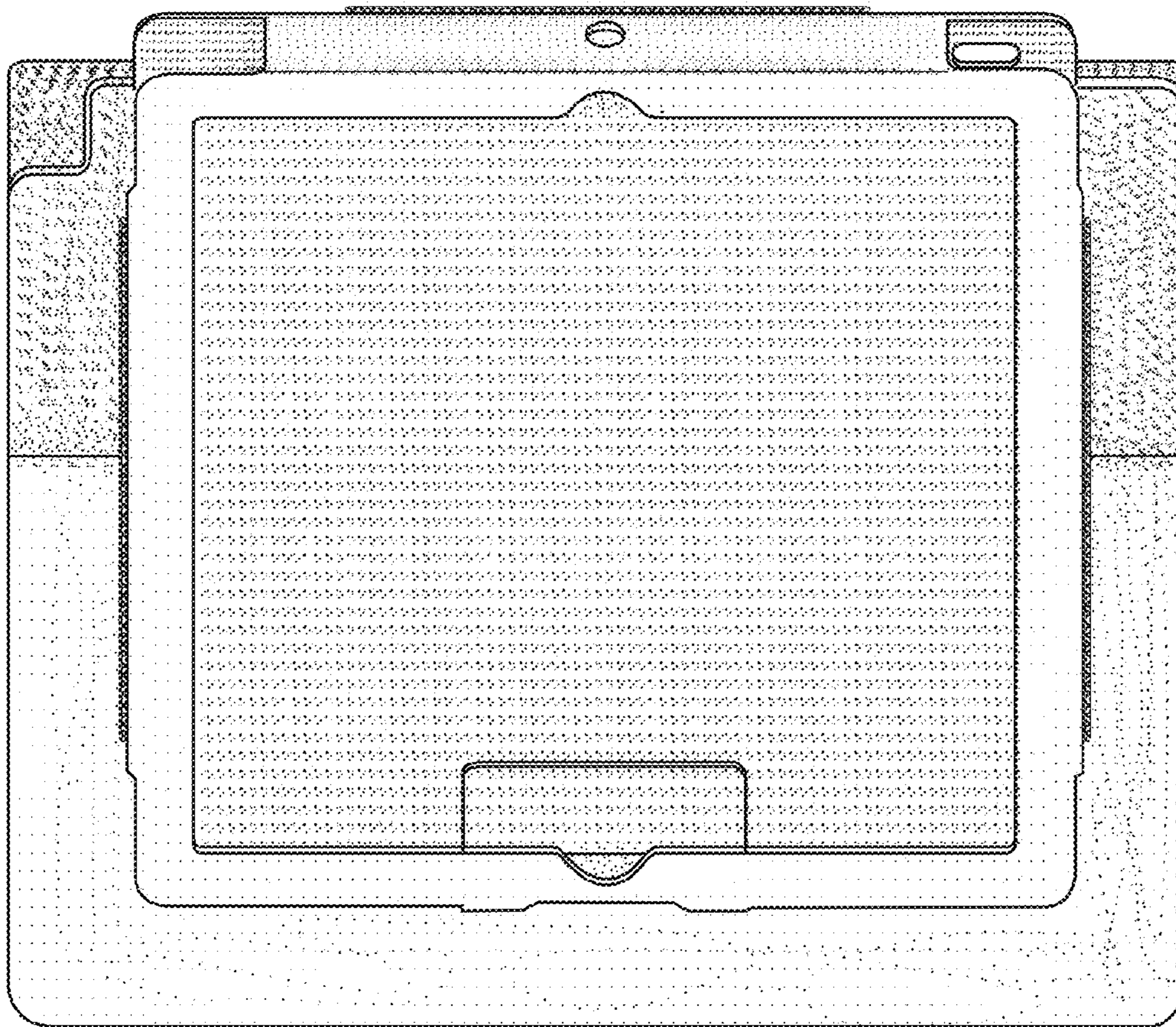


FIG. 3

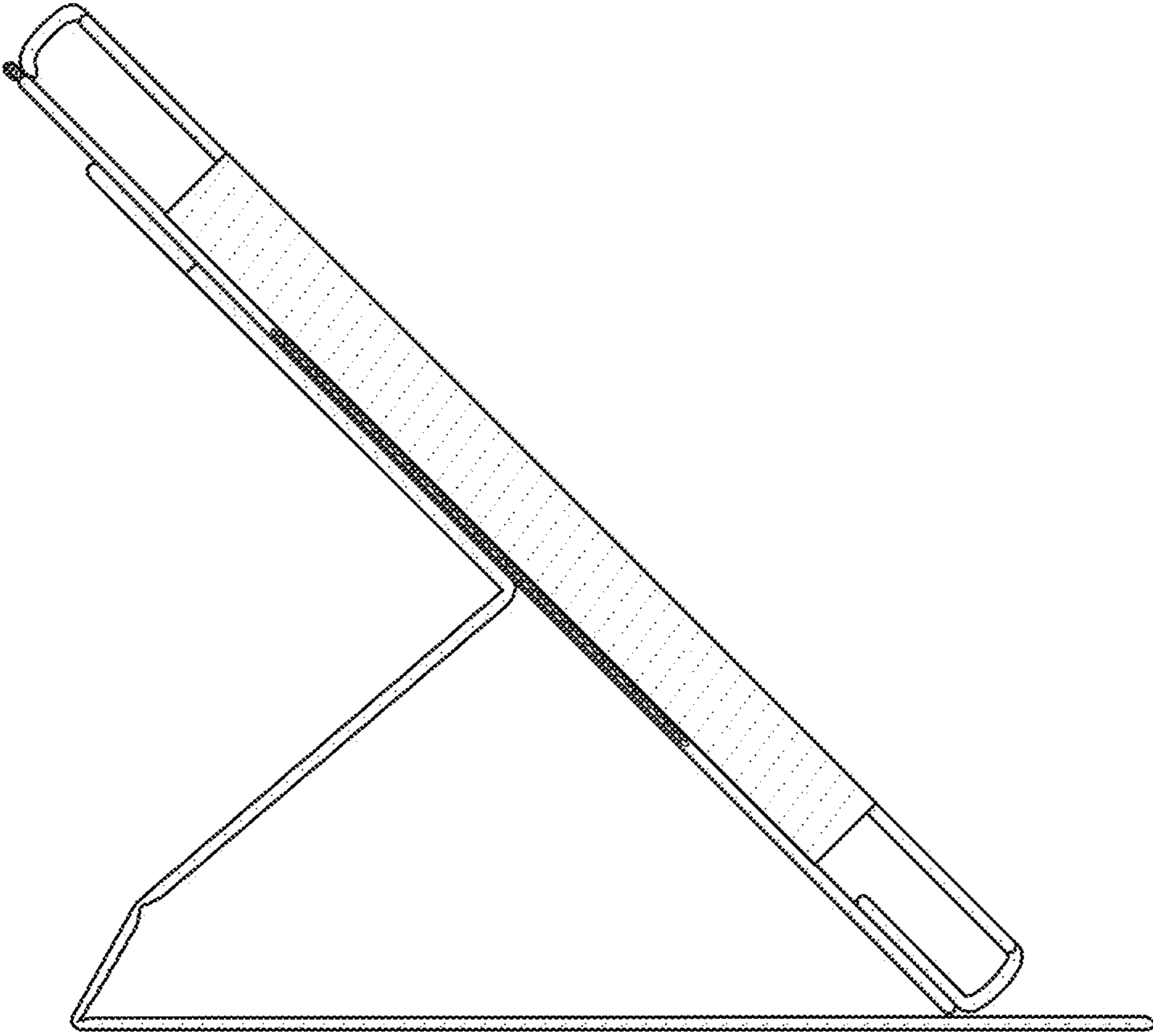


FIG. 4

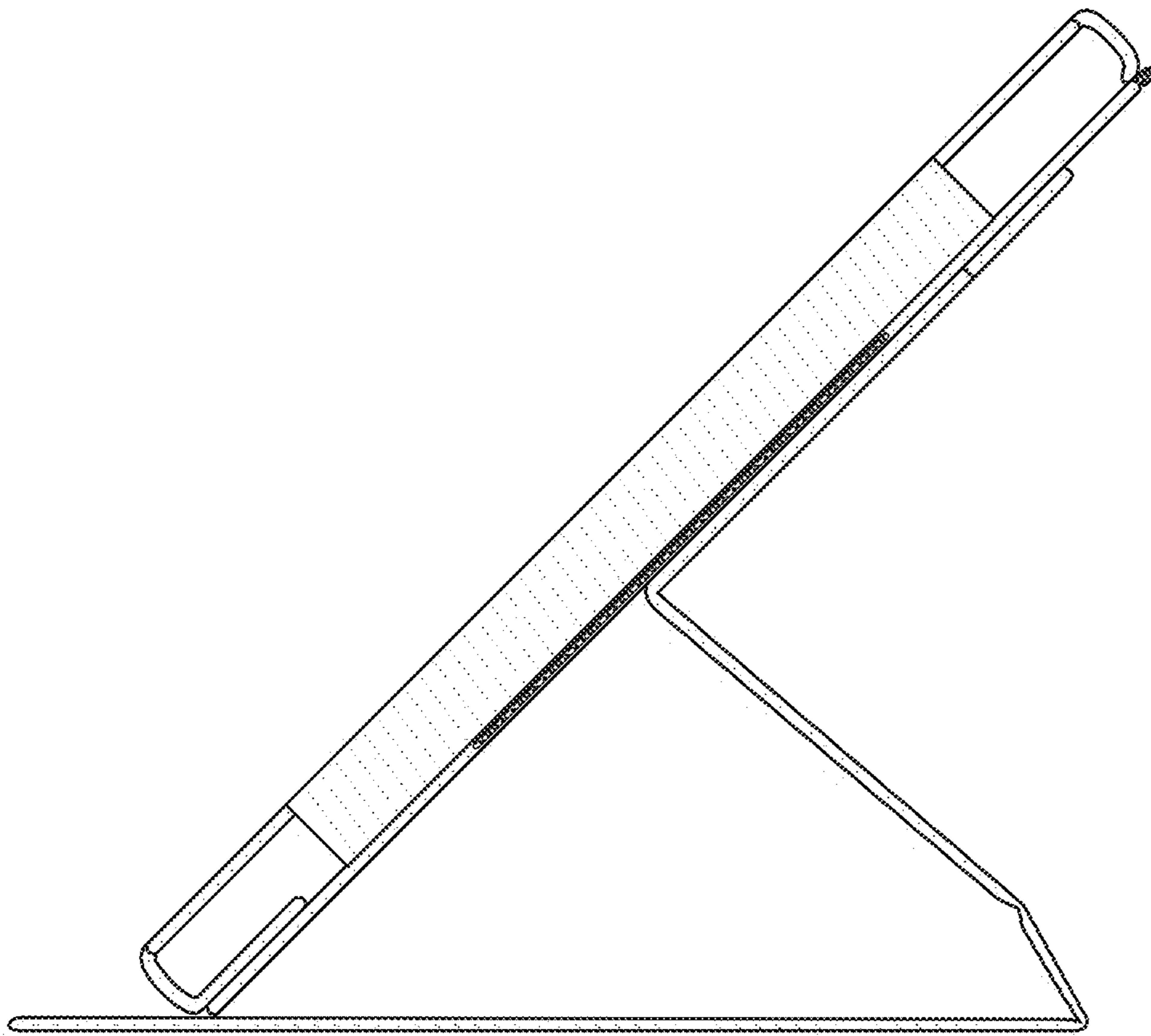


FIG. 5

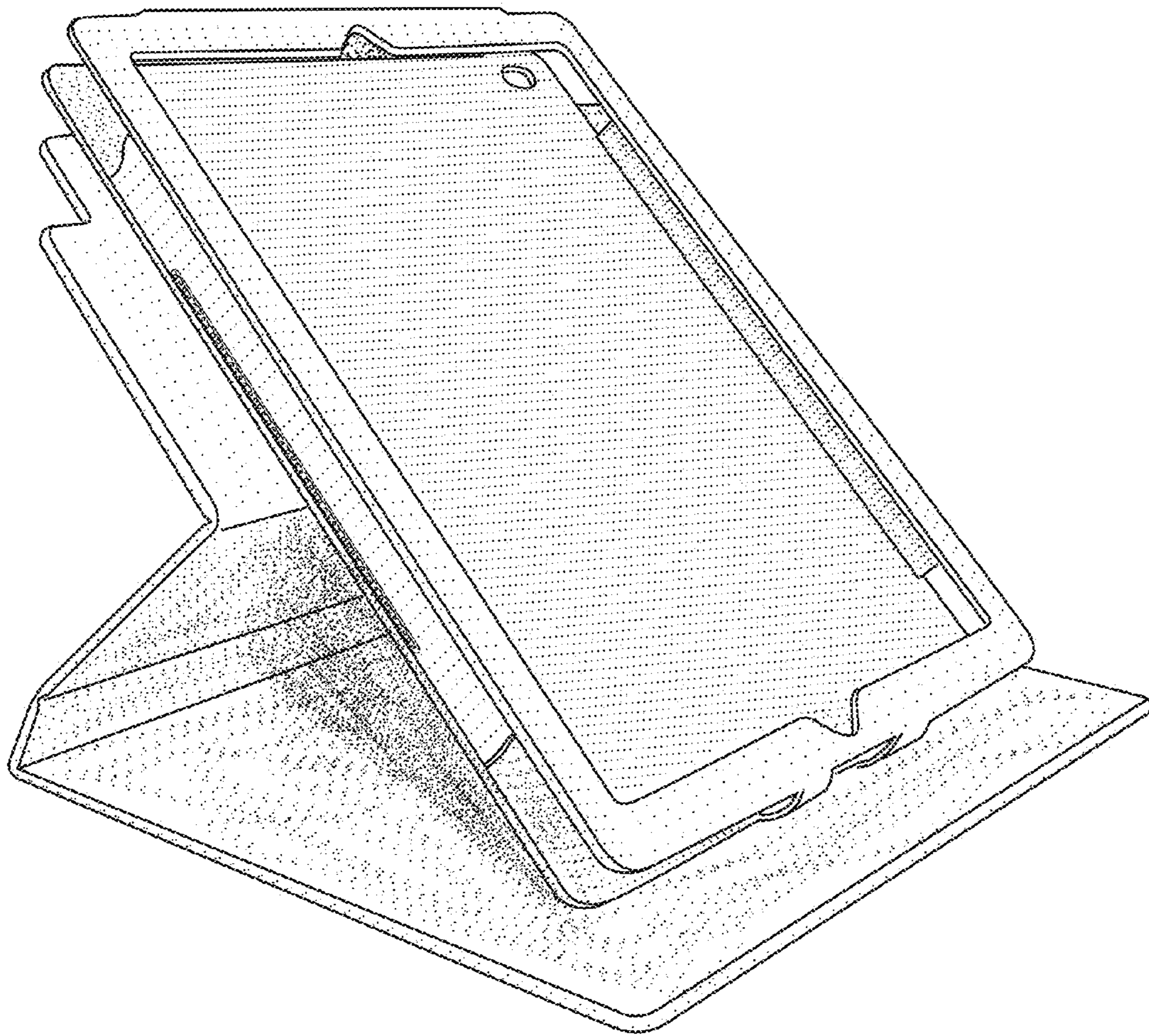


FIG. 6



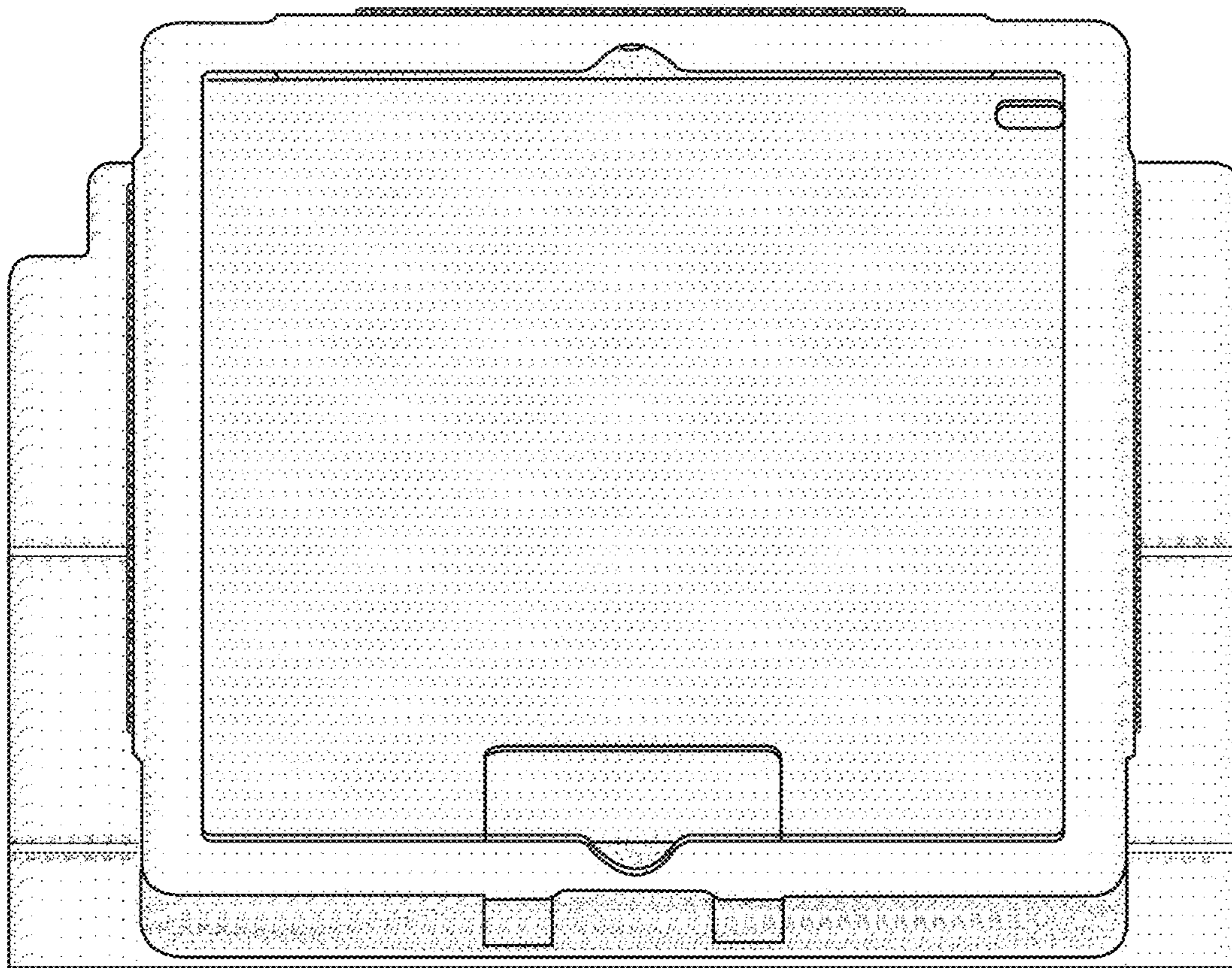


FIG. 7