



US00D689499S

(12) **United States Design Patent**  
**Chen et al.**

(10) **Patent No.:** **US D689,499 S**

(45) **Date of Patent:** **\*\* Sep. 10, 2013**

(54) **TABLET JACKET**

(71) Applicant: **Hewlett-Packard Development Company, L.P.**, Houston, TX (US)

(72) Inventors: **Eric Chen**, Houston, TX (US); **Ki Bok Song**, Katy, TX (US)

(73) Assignee: **Hewlett-Packard Development Company, L.P.**, Houston, TX (US)

(\*\*) Term: **14 Years**

(21) Appl. No.: **29/433,428**

(22) Filed: **Sep. 28, 2012**

(51) **LOC (9) Cl.** ..... **14-02**

(52) **U.S. Cl.**  
USPC ..... **D14/440**

(58) **Field of Classification Search**  
USPC ..... D14/250, 251, 253, 240, 217, 496,  
D14/440, 203.3, 203.4, 203.5, 203.8, 341,  
D14/318; D3/218, 215, 201, 294, 289, 900;  
220/4.02; 248/309.1; 361/679.56; 379/426,  
379/433.11, 455; 455/575.1, 575.8; 190/100;  
206/305, 320; D21/469

See application file for complete search history.

(56) **References Cited**

**U.S. PATENT DOCUMENTS**

D469,438 S \* 1/2003 Corrales ..... D14/432  
7,542,052 B2 \* 6/2009 Solomon et al. .... 345/659  
D609,226 S \* 2/2010 Hofer et al. .... D14/248  
8,016,107 B2 \* 9/2011 Emsky ..... 206/320

D646,266 S \* 10/2011 Kim et al. .... D14/250  
D654,069 S \* 2/2012 Kwon et al. .... D14/250  
8,132,670 B1 \* 3/2012 Chen ..... 206/320  
D659,139 S \* 5/2012 Gengler ..... D14/392  
D662,503 S \* 6/2012 Akana et al. .... D14/439  
D665,809 S \* 8/2012 Wang et al. .... D14/439  
D673,958 S \* 1/2013 Fathollahi ..... D14/440  
D674,798 S \* 1/2013 Kim et al. .... D14/440  
D675,210 S \* 1/2013 Kim ..... D14/440  
D675,624 S \* 2/2013 Wibby et al. .... D14/440  
D677,667 S \* 3/2013 Smith et al. .... D14/440  
D678,290 S \* 3/2013 Smith et al. .... D14/440  
2010/0289390 A1 \* 11/2010 Kenney ..... 312/223.1

\* cited by examiner

*Primary Examiner* — Cynthia Underwood

(57) **CLAIM**

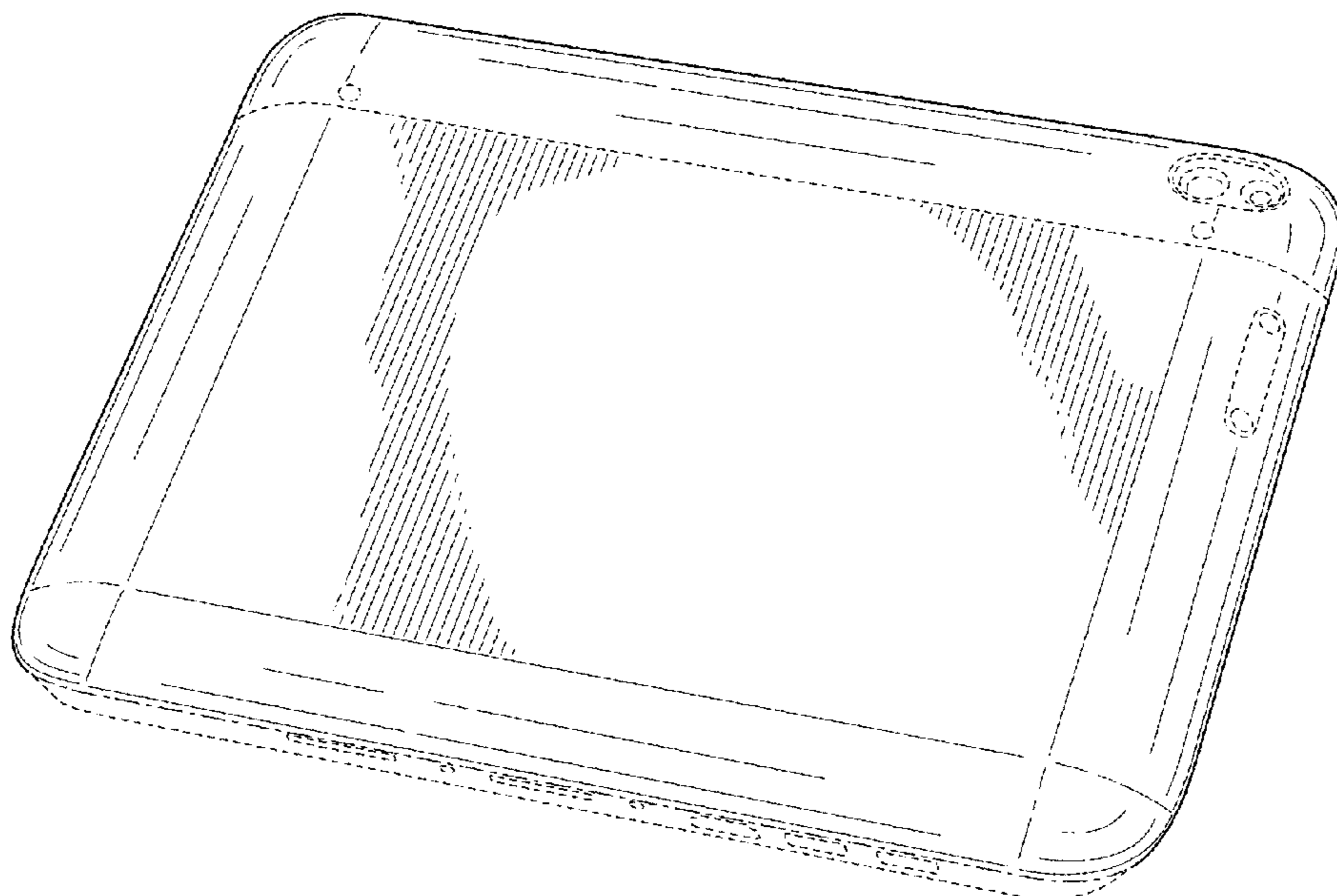
We claim the ornamental design for a tablet jacket, as shown and described.

**DESCRIPTION**

FIG. 1 is a rear perspective view of a tablet jacket;  
FIG. 2 is a front perspective view thereof;  
FIG. 3 is a rear view thereof;  
FIG. 4 is a front view thereof;  
FIG. 5 is a top view thereof;  
FIG. 6 is a bottom view thereof;  
FIG. 7 is a left side view thereof; and,  
FIG. 8 is a right side view thereof.

The dash-dash broken lines in the drawings are environmental lines which do not form part of the claimed design. The short dash-long dash lines are boundary lines which do not form part of the claimed design.

**1 Claim, 5 Drawing Sheets**



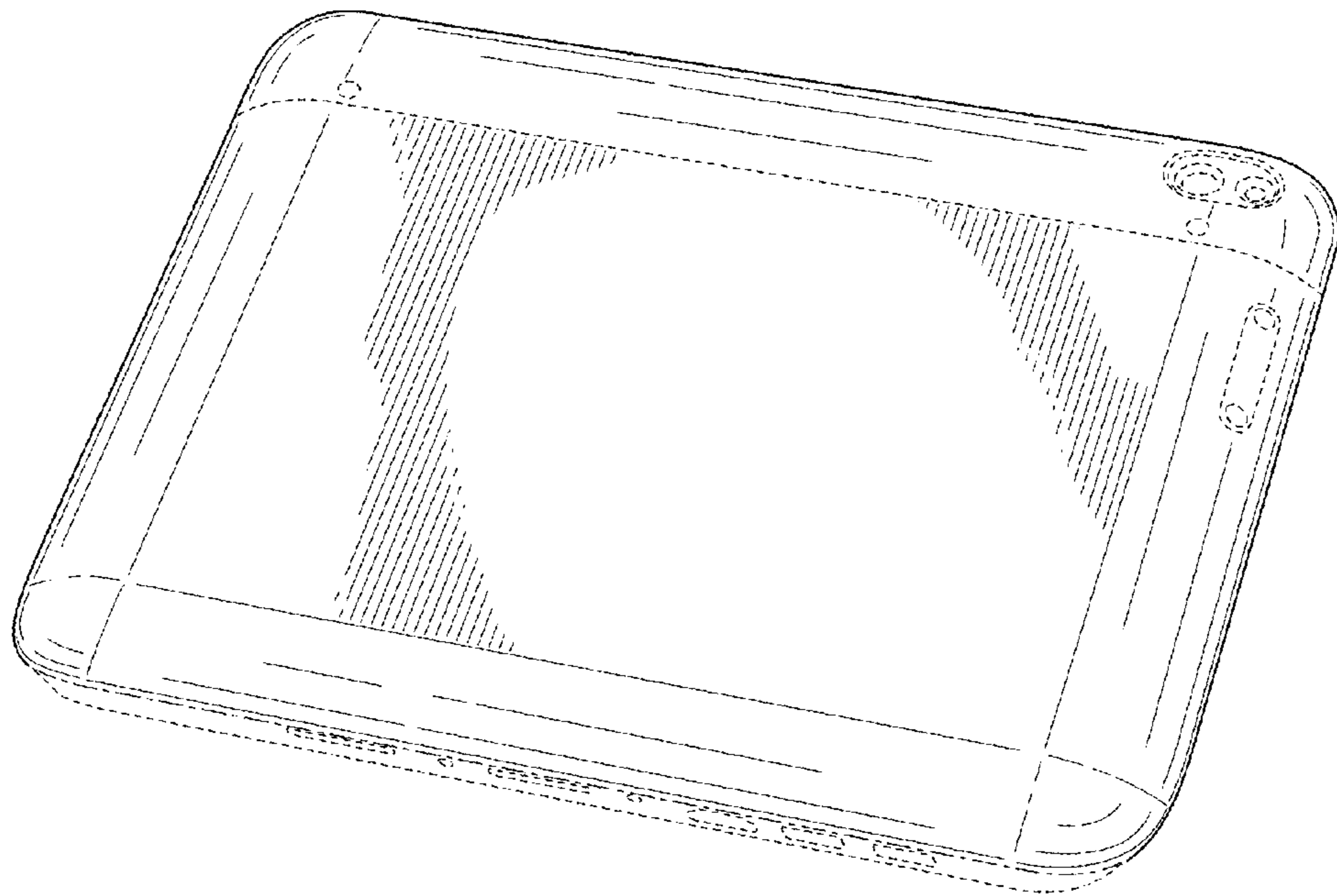


FIG. 1

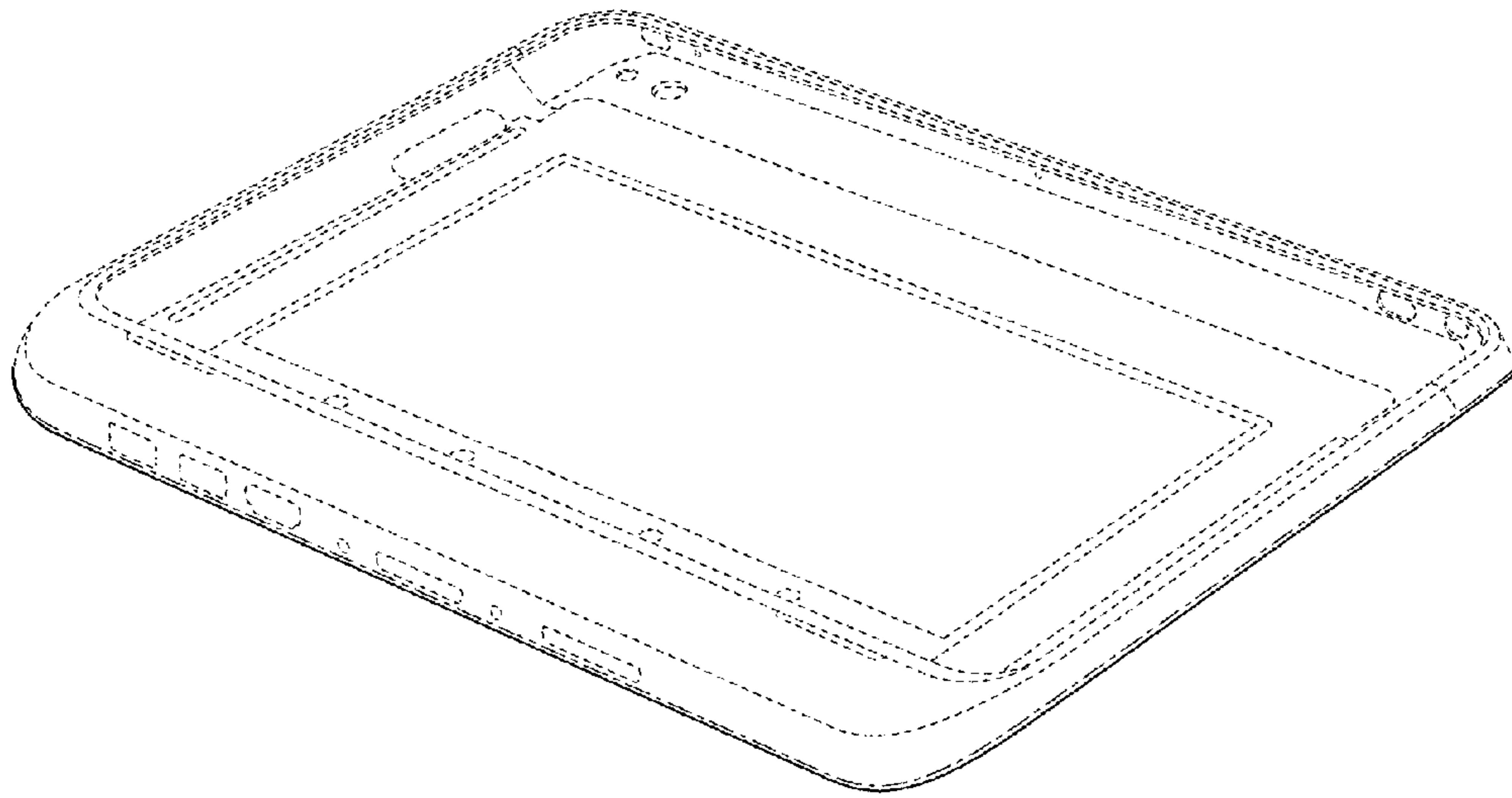
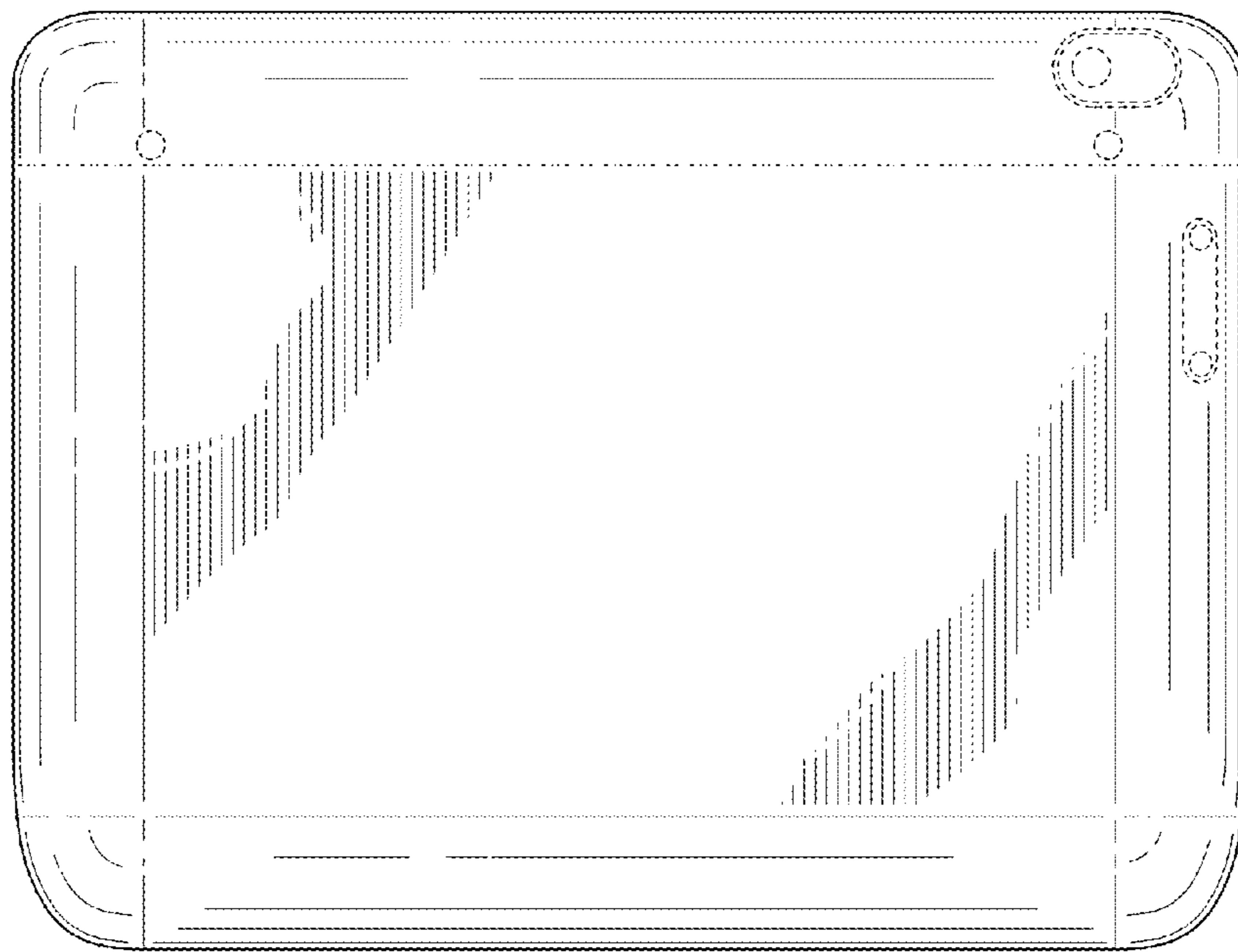


FIG. 2



**FIG. 3**

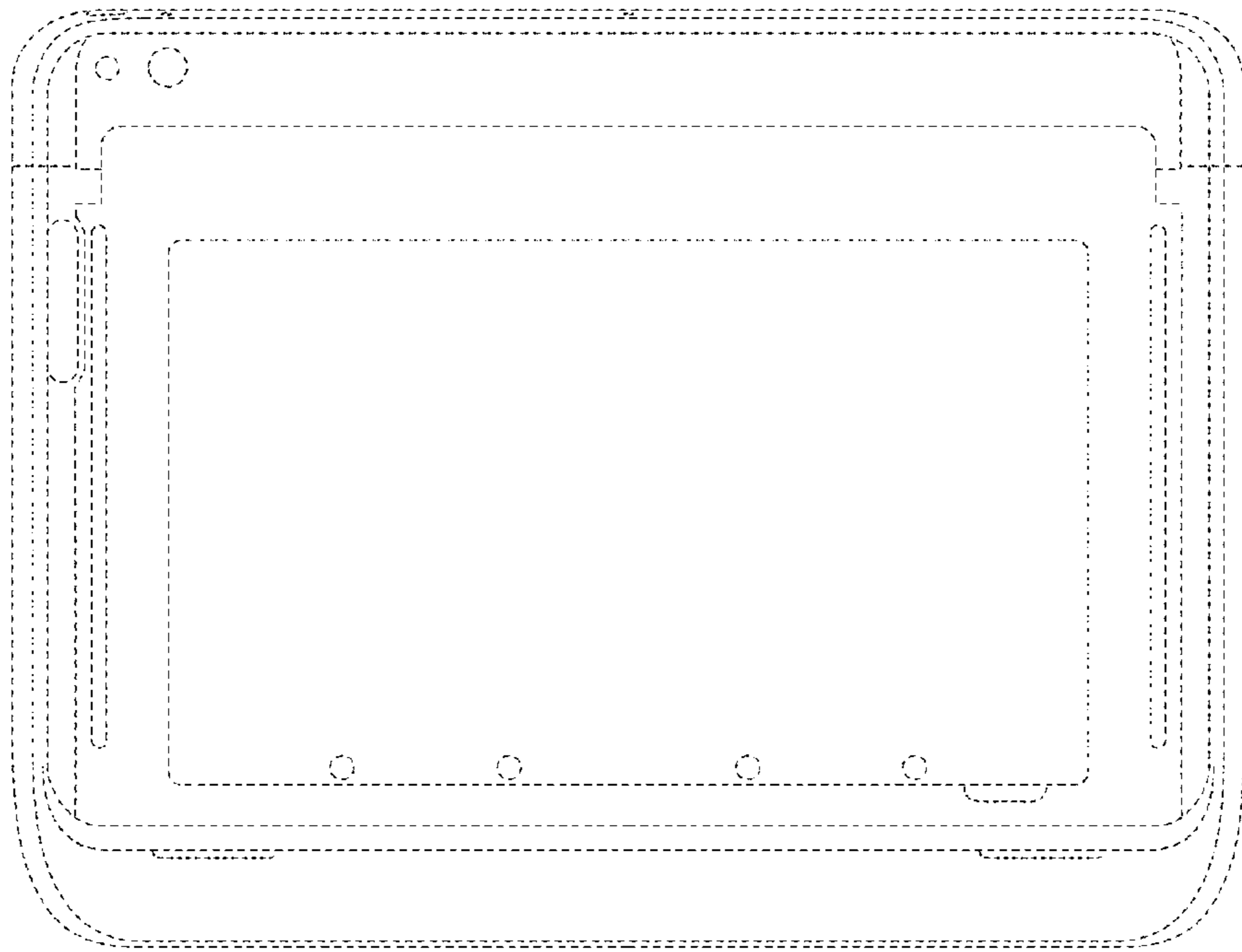


FIG. 4

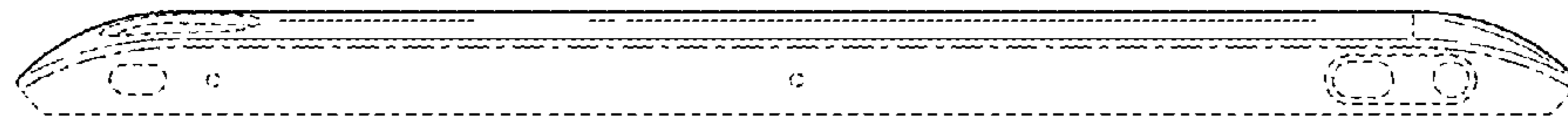


FIG. 5

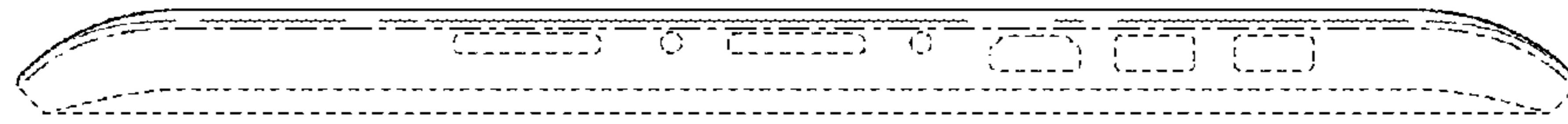


FIG. 6

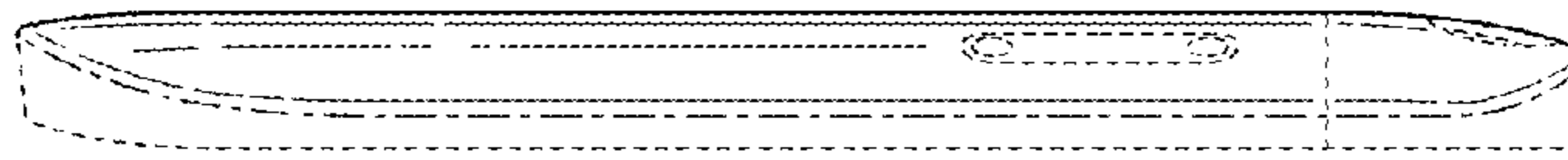


FIG. 7

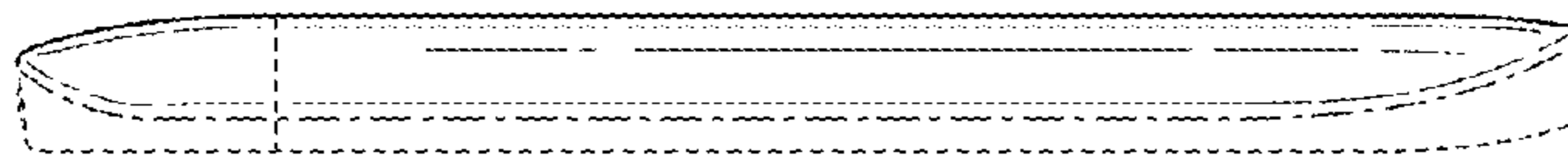


FIG. 8