



US00D689498S

(12) **United States Design Patent**
Akana et al.

(10) **Patent No.:** **US D689,498 S**
(45) **Date of Patent:** **** Sep. 10, 2013**

(54) **CASE**

(75) Inventors: **Jody Akana**, San Francisco, CA (US);
Bartley K. Andre, Palo Alto, CA (US);
Jeremy Bataillou, San Francisco, CA
(US); **Daniel J. Coster**, San Francisco,
CA (US); **Daniele De Iuliis**, San
Francisco, CA (US); **M. Evans Hankey**,
San Francisco, CA (US); **Julian Hoenig**,
San Francisco, CA (US); **Richard P.**
Howarth, San Francisco, CA (US);
Jonathan P. Ive, San Francisco, CA
(US); **Duncan Robert Kerr**, San
Francisco, CA (US); **Shin Nishibori**,
Kailua, HI (US); **Matthew Dean**
Rohrbach, San Francisco, CA (US);
Peter Russell-Clarke, San Francisco,
CA (US); **Christopher J. Stringer**,
Woodside, CA (US); **Eugene Antony**
Whang, San Francisco, CA (US); **Rico**
Zörkendörfer, San Francisco, CA (US)

(73) Assignee: **Apple Inc.**, Cupertino, CA (US)

(**) Term: **14 Years**

(21) Appl. No.: **29/416,587**

(22) Filed: **Mar. 23, 2012**

Related U.S. Application Data

(63) Continuation of application No. 29/415,035, filed on
Mar. 6, 2012.

(51) **LOC (9) Cl.** **14-02**

(52) **U.S. Cl.**
USPC **D14/440**

(58) **Field of Classification Search**
USPC D14/250, 251, 253, 240, 217, 496,
D14/440, 203.3, 203.4, 203.5, 203.8; D3/218,
D3/215, 201; 220/4.02; 248/309.1;
361/679.56, 683, 679.09; 379/426, 433.11,
379/455; 455/575.1, 575.8; 190/100; 206/305,
206/320; 345/173

See application file for complete search history.

(56) **References Cited**

U.S. PATENT DOCUMENTS

2,968,176 A 1/1961 Collings

(Continued)

FOREIGN PATENT DOCUMENTS

EM 001266266-0001 3/2011
EM 001266282-0001 3/2011

(Continued)

OTHER PUBLICATIONS

Incase, "Introducing the Convertible Magazine Jacket for iPad,"
goincase.com, accessed at <http://goincase.com/blog/2010/11/23/introducing-the-convertible-magazine-jacket-for-ipad/>, posted Nov.
23, 2010, 7 pages.

(Continued)

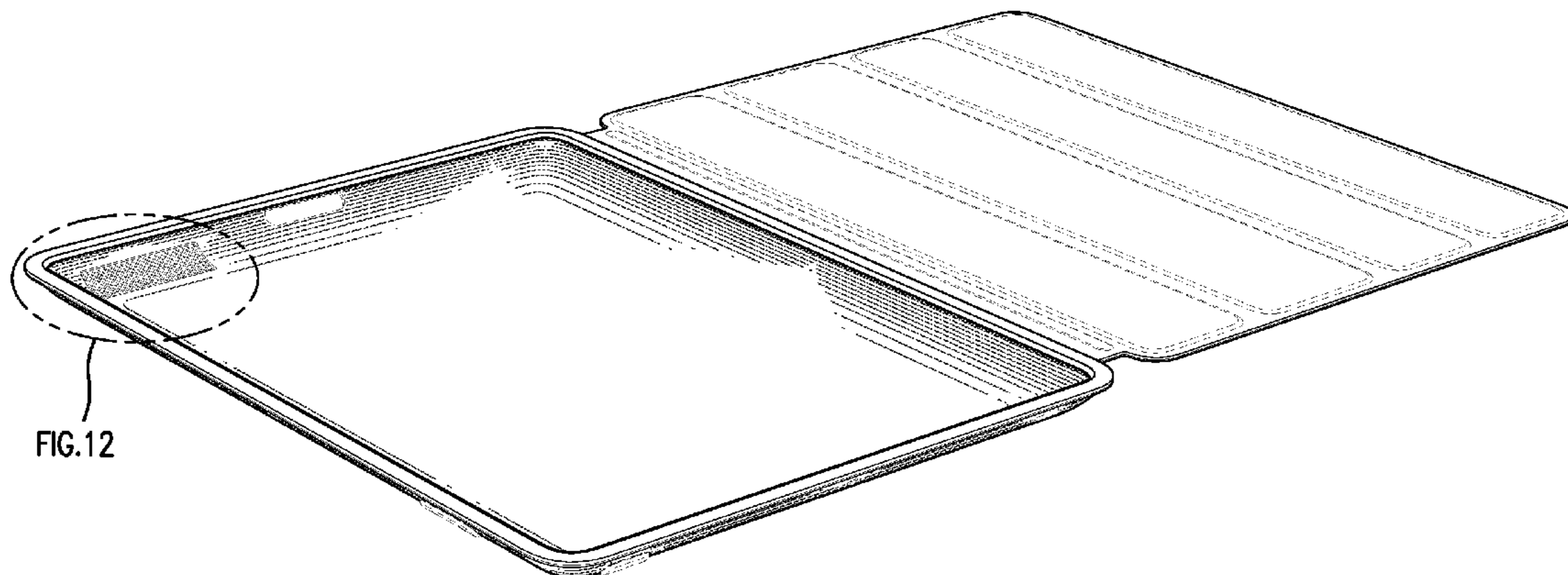
Primary Examiner — Cynthia Underwood
(74) *Attorney, Agent, or Firm* — Sterne, Kessler, Goldstein
& Fox PLLC

(57) **CLAIM**
The ornamental design for a case, as shown and described.

DESCRIPTION

FIG. 1 is a top front perspective view of a case in an open position showing our new design in an open position; FIG. 2 is a bottom rear perspective view thereof; FIG. 3 is a front view thereof; FIG. 4 is a rear view thereof; and FIG. 5 is a bottom view thereof; FIG. 6 is a top view thereof; FIG. 7 is a left side view thereof showing the case in an open position; FIG. 8 is a right side view thereof showing the case in an open position; FIG. 9 is a front view thereof showing the case in a closed position; FIG. 10 is a bottom view of the case in an open position shown in two parts for ease of illustration; FIG. 11 is an enlarged top view thereof in two parts for ease of illustration; and, FIG. 12 is an enlarged view of item 12 in FIG. 1. The broken lines in the Figures show portions of the case which form no part of the claimed design. The dot-dash-dot lines in FIGS. 10 and 11 show the location at which the two parts of each figure are divided for ease of illustration, and form no part of the claimed design. The dot-dot-dash line in FIG. 12 forms no part of the claimed design.

1 Claim, 9 Drawing Sheets



(56)

References Cited

U.S. PATENT DOCUMENTS

3,442,371 A 5/1969 Deshong et al.
 4,718,550 A 1/1988 Johnson
 D321,855 S 11/1991 Ross, Jr.
 5,066,158 A 11/1991 Huang
 5,092,354 A 3/1992 Pacelli, Jr.
 D331,191 S 11/1992 Ventola et al.
 D340,701 S * 10/1993 Takeuchi D14/341
 D356,120 S 3/1995 Allen
 D364,191 S 11/1995 Allen
 D461,469 S * 8/2002 Wang et al. D14/497
 D467,429 S 12/2002 Bone et al.
 D512,100 S 11/2005 Howes et al.
 D517,512 S * 3/2006 Peng D14/129
 D518,007 S * 3/2006 Peng D14/129
 D518,008 S * 3/2006 Peng D14/129
 D538,096 S 3/2007 Bartell et al.
 D538,787 S * 3/2007 Tsai D14/209.1
 D542,772 S * 5/2007 Shimizu D14/171
 D555,667 S * 11/2007 Hussaini et al. D14/496
 D556,681 S 12/2007 Kim
 D557,814 S * 12/2007 Glenn et al. D24/217
 D574,819 S 8/2008 Andre et al.
 D577,743 S * 9/2008 Liu D14/496
 D582,405 S 12/2008 Andre et al.
 D583,360 S * 12/2008 Gredler D14/171
 D584,141 S 1/2009 Smith et al.
 D593,540 S * 6/2009 Skurdal D14/215
 D594,876 S * 6/2009 Hwang D14/496
 D599,821 S * 9/2009 Tang D14/496
 D604,744 S * 11/2009 Tseng et al. D14/496
 D606,096 S * 12/2009 Bui D14/496
 D606,751 S 12/2009 Andre et al.
 D608,794 S * 1/2010 Xiao et al. D14/496
 D609,718 S * 2/2010 Chang et al. D14/496
 D616,416 S * 5/2010 Lin D14/189
 D616,464 S * 5/2010 Park D14/496
 D619,361 S 7/2010 Andre et al.
 D622,258 S * 8/2010 Joseph D14/171
 D622,716 S 8/2010 Andre et al.

D627,777 S 11/2010 Akana et al.
 D633,388 S 3/2011 Andre et al.
 D637,814 S 5/2011 Akana et al.
 D644,248 S * 8/2011 Kim et al. D14/496
 D656,495 S 3/2012 Andre et al.
 D656,929 S * 4/2012 Hsiung D14/250
 D658,186 S 4/2012 Akana et al.
 D662,503 S 6/2012 Akana et al.
 D663,724 S * 7/2012 Lee et al. D14/248
 D664,564 S * 7/2012 Gillett et al. D14/496
 D669,059 S * 10/2012 Huang D14/240
 2009/0107858 A1 4/2009 Huang
 2009/0194209 A1 8/2009 De Filippis et al.
 2010/0289390 A1 11/2010 Kenney
 2010/0300909 A1 12/2010 Hung
 2011/0164365 A1 7/2011 McClure et al.

FOREIGN PATENT DOCUMENTS

EM 001266290-0001 3/2011
 GB 4020173 6/2011

OTHER PUBLICATIONS

Case-Parts, "Original Targus Folding Genuine Leather Case for Apple iPad with Built-in Holder," <http://www.case-parts.com/details/Original-Targus-Folding-Genuine-Leather-Case-for-Apple-iPad-with-Built-in-Holder-IPAD-570/photos.htm>, 3 pages.
 Design U.S. Appl. No. 29/382,846, filed Jan. 7, 2011, "Portable Display Device," Andre et al. (not published).
 "Review: A ViiQ Smart Case for iPad 2", which was published on YouTube at <http://www.youtube.com/watch?v=DaHizeVWEuA>, May 24, 2011, 3 pages.
 "A ViiQ Smart Case for iPad 2 compliments Apple's Smart Cover (Review)", which was published on YouTube at <http://www.youtube.com/watch?v=wMoZM-ZSn4g>, Aug. 31, 2011, 2 pages.
 Youtube.com, "iPad 2—Best Protective Case—Smart Cover + Smart Cover Back by Simplism", (<http://www.youtube.com/watch?v=SRHhU98NAd0&feature=endscreen&NR=1>), May 15, 2011.

* cited by examiner

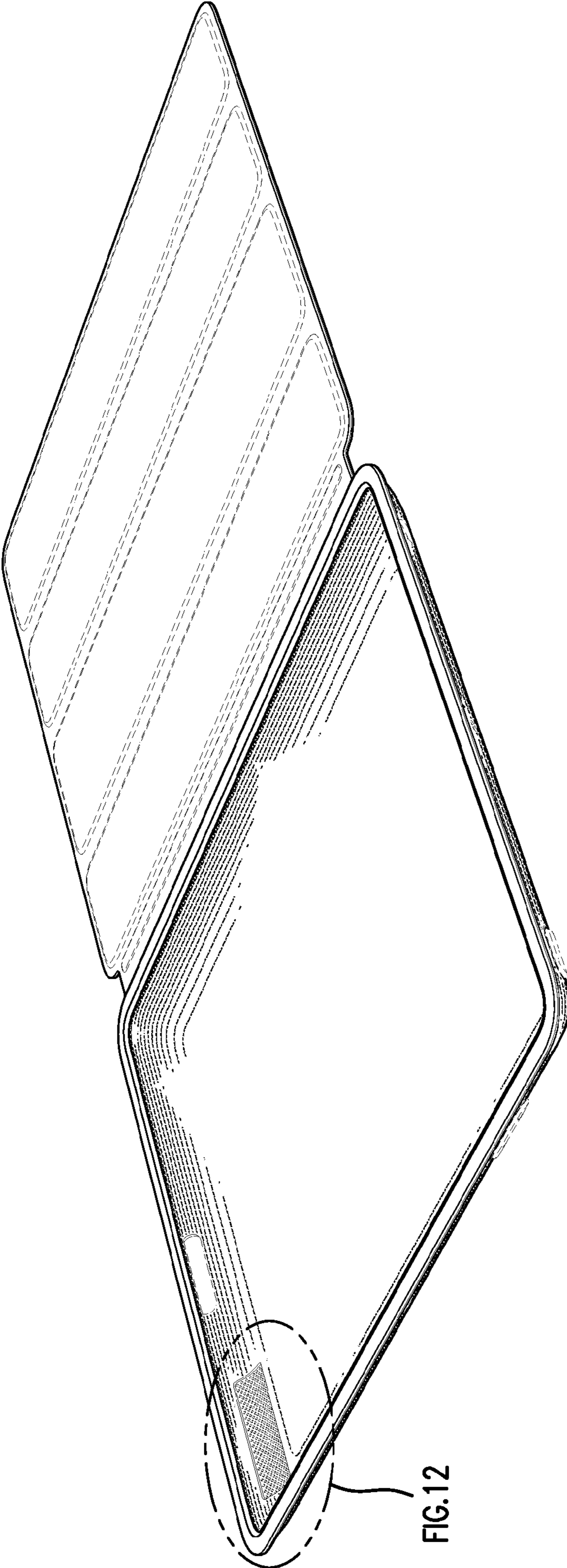


FIG. 1

FIG.12

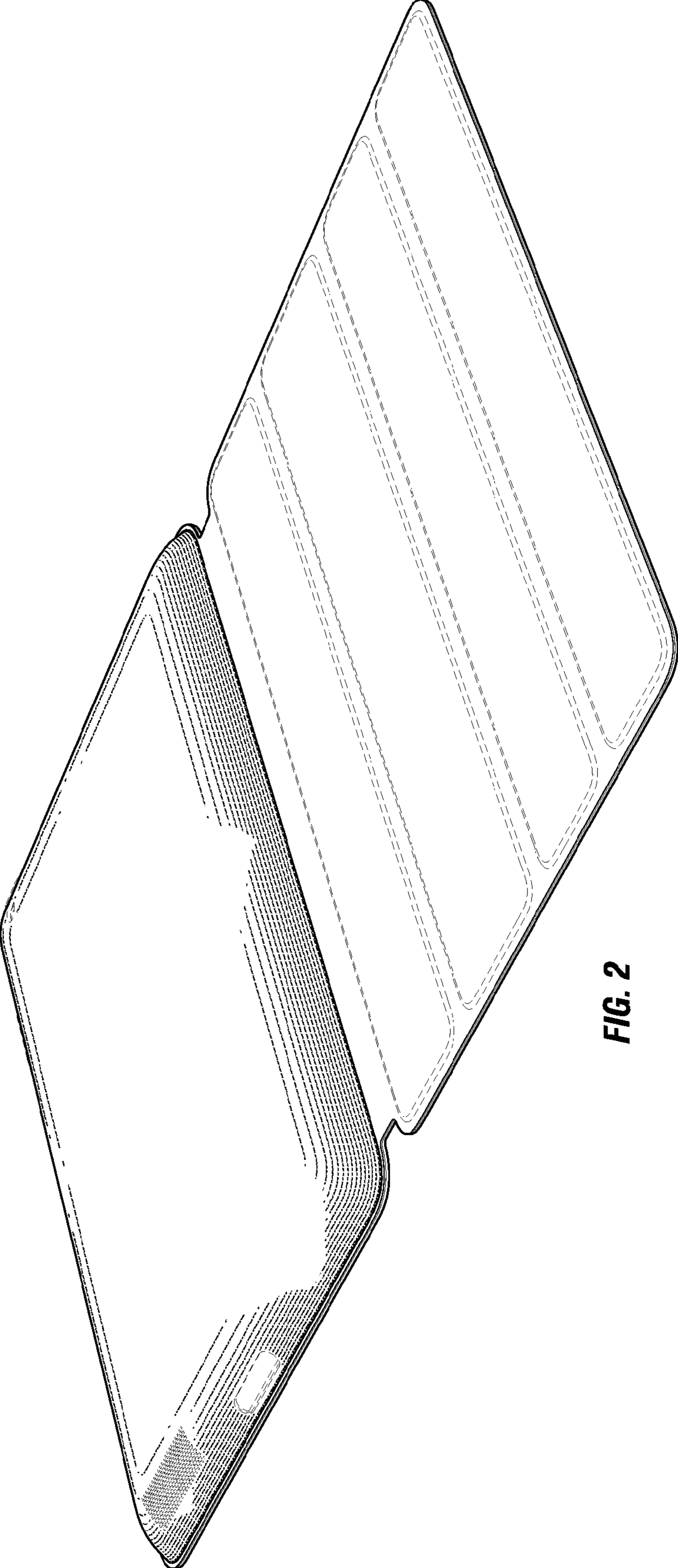


FIG. 2

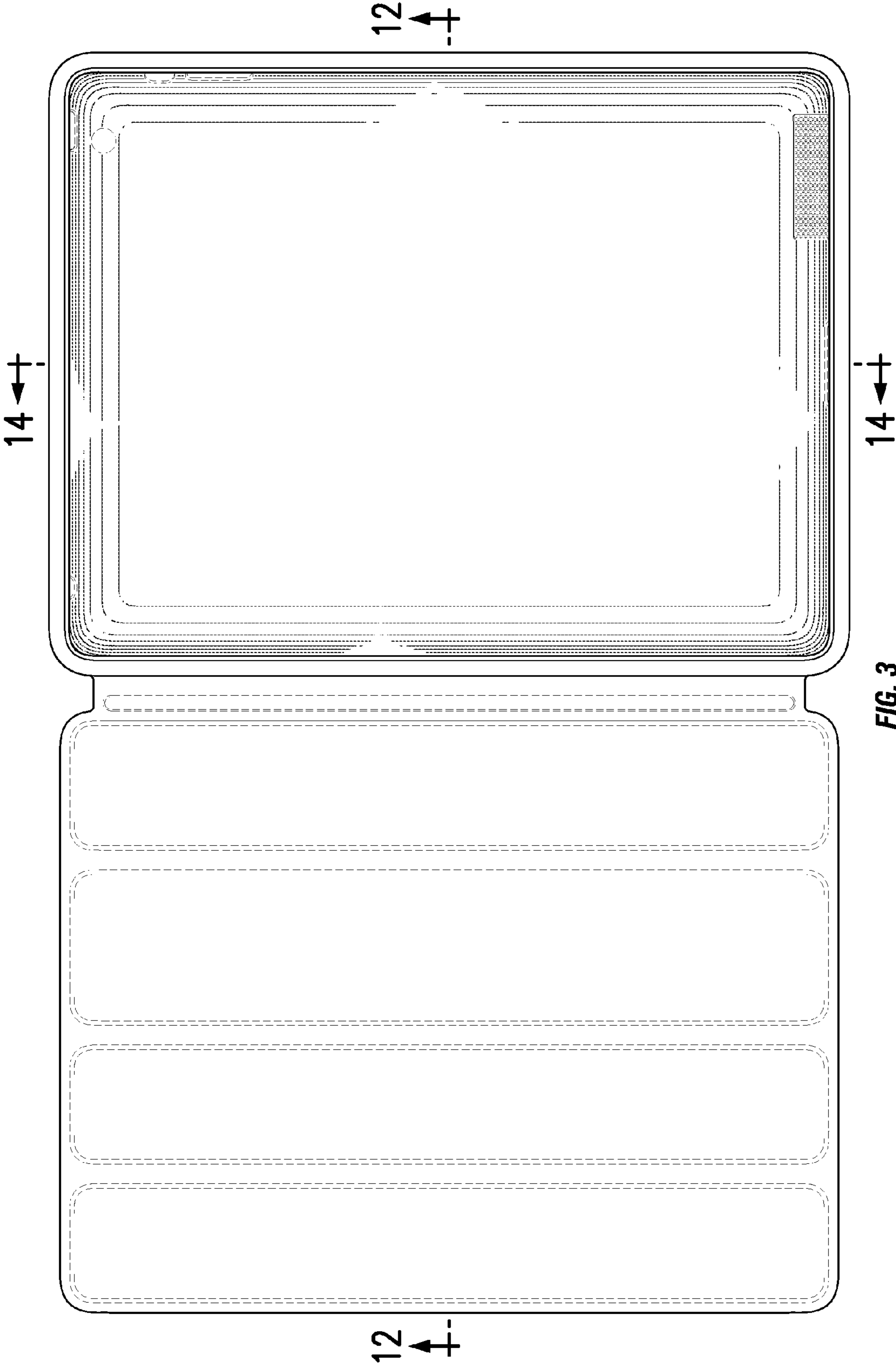


FIG. 3

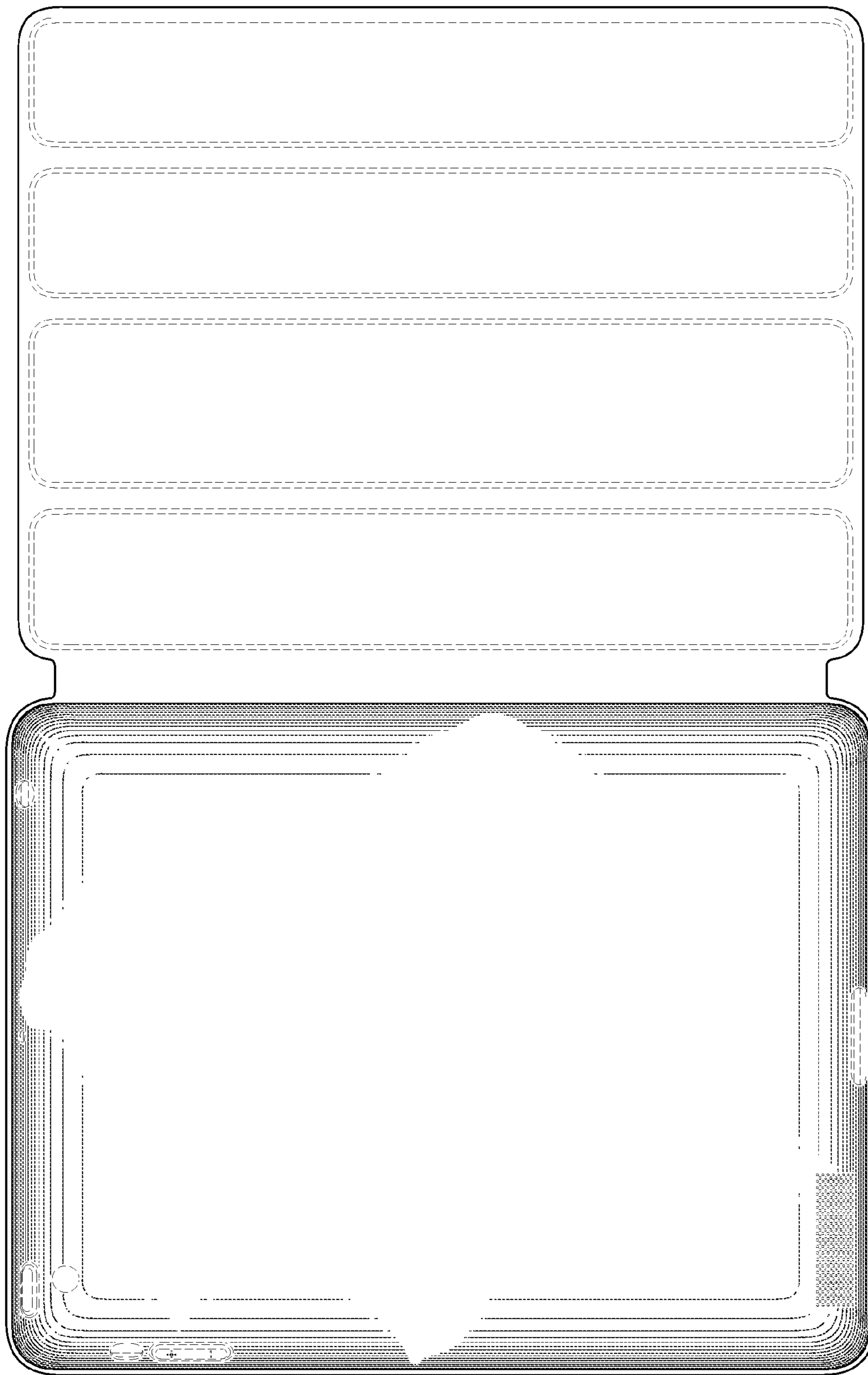


FIG. 4

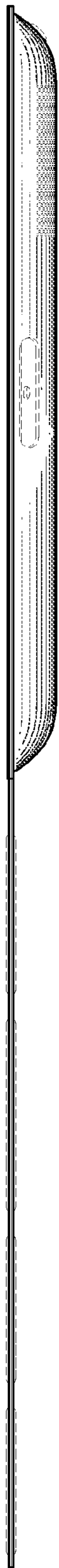


FIG. 5



FIG. 6



FIG. 7



FIG. 8

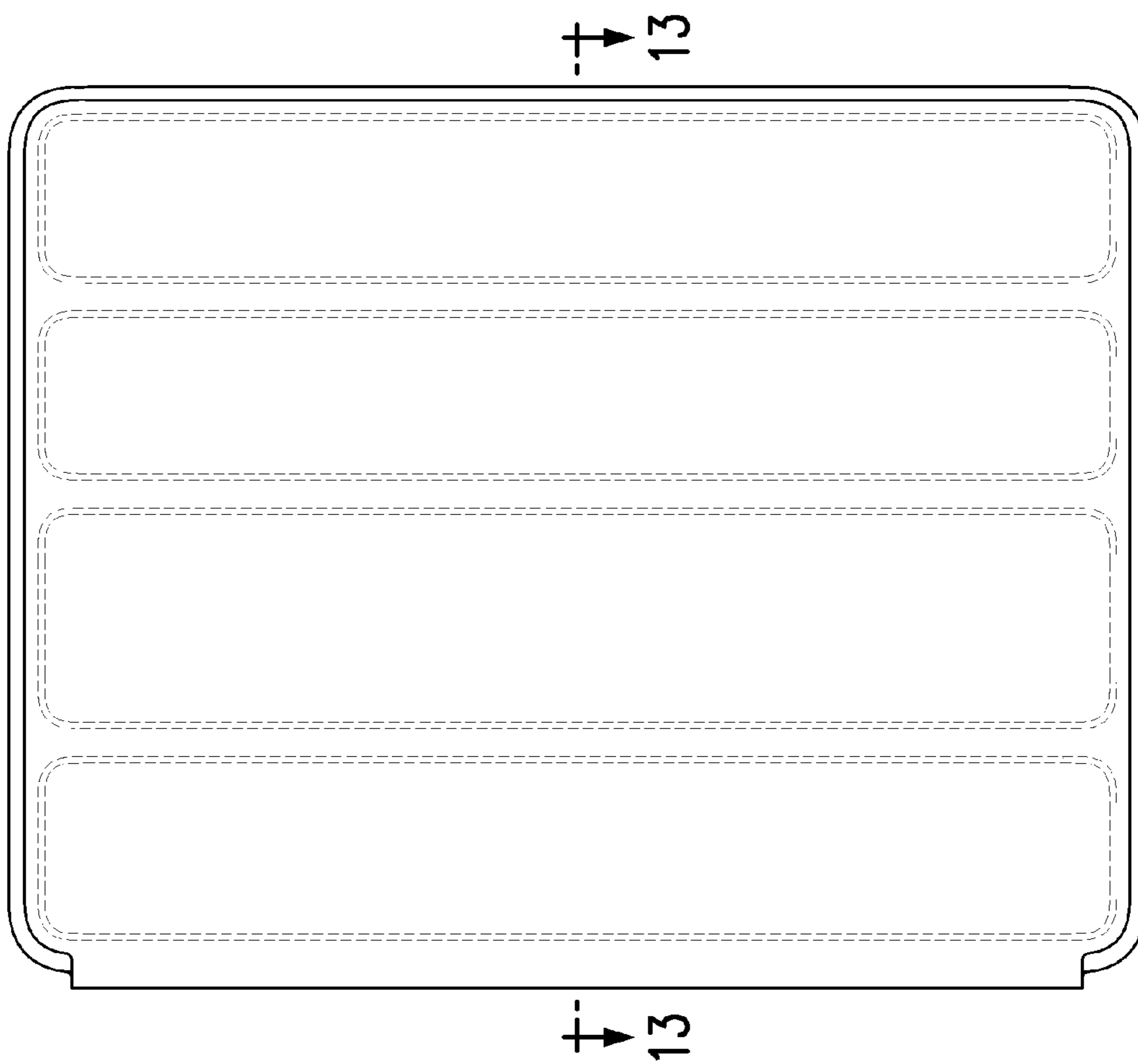


FIG. 9

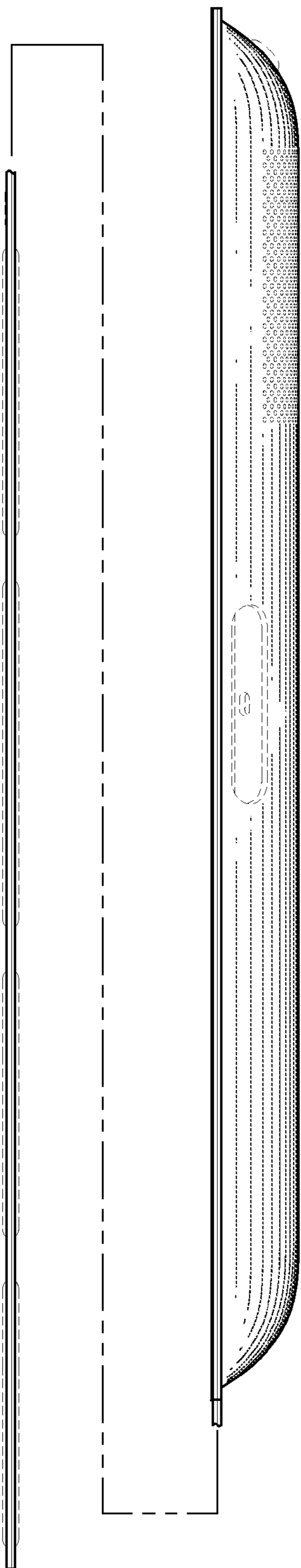


FIG. 10

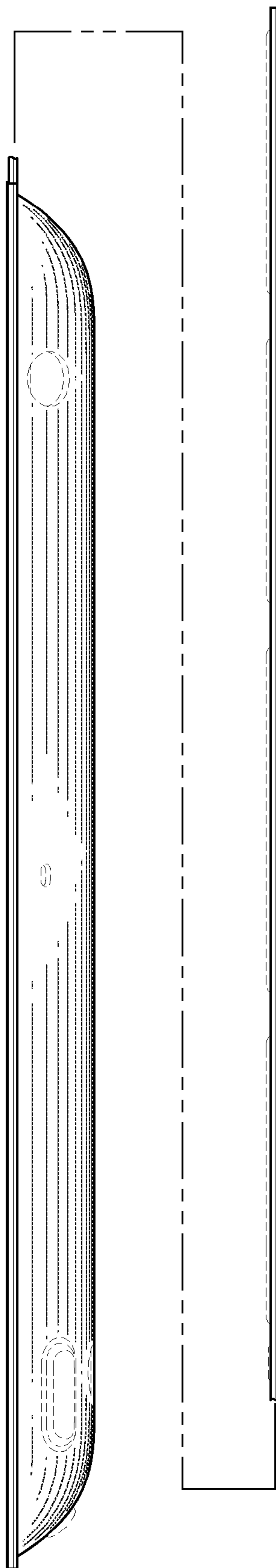


FIG. 11

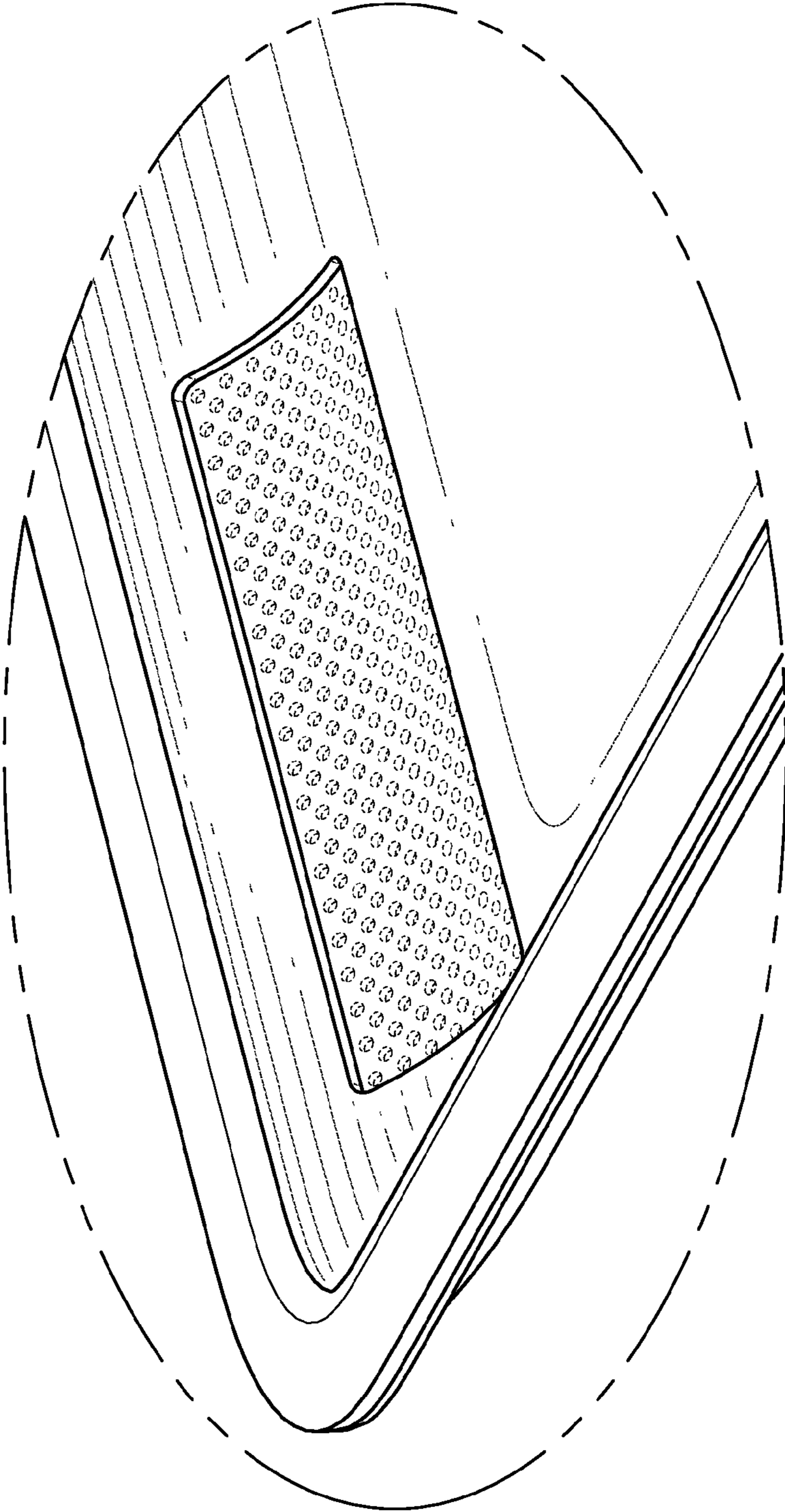


FIG. 12