



US00D689493S

(12) **United States Design Patent**  
**Moore et al.**

(10) **Patent No.:** **US D689,493 S**

(45) **Date of Patent:** **\*\* Sep. 10, 2013**

(54) **KEYBOARD**

(75) Inventors: **Earl W. Moore**, Cypress, TX (US); **Paul N. Walker**, Cypress, TX (US)

(73) Assignee: **Hewlett-Packard Development Company, L.P.**, Houston, TX (US)

(\*\*) Term: **14 Years**

(21) Appl. No.: **29/426,924**

(22) Filed: **Jul. 11, 2012**

(51) **LOC (9) Cl.** ..... **14-02**

(52) **U.S. Cl.**  
USPC ..... **D14/392**

(58) **Field of Classification Search**  
USPC ..... D14/240, 138, 318, 341, 391–399,  
D14/443, 455, 456; D18/1, 2, 7, 11; 178/17 A,  
178/17 C; 200/5 A, 5 R, 6 A, 6 R; 235/145 A,  
235/145 R; 341/20–23; 345/156, 160, 168,  
345/169, 173;  
361/679.08, 679.09, 679.11–679.19;  
400/484–489, 492, 472

See application file for complete search history.

(56) **References Cited**

U.S. PATENT DOCUMENTS

D434,775	S	*	12/2000	Tien	.....	D14/456
D604,736	S	*	11/2009	Andre et al.	.....	D14/392
D612,844	S	*	3/2010	Andre et al.	.....	D14/315
D621,402	S	*	8/2010	Andre et al.	.....	D14/392
7,967,189	B2	*	6/2011	Ackloo	.....	235/145 R
D680,544	S	*	4/2013	Akana et al.	.....	D14/434
2003/0026637	A1	*	2/2003	Fu	.....	400/472
2006/0061542	A1	*	3/2006	Stokic	.....	345/156
2011/0304552	A1	*	12/2011	Zhao et al.	.....	345/168

\* cited by examiner

*Primary Examiner* — Freda S Nunn

(57) **CLAIM**

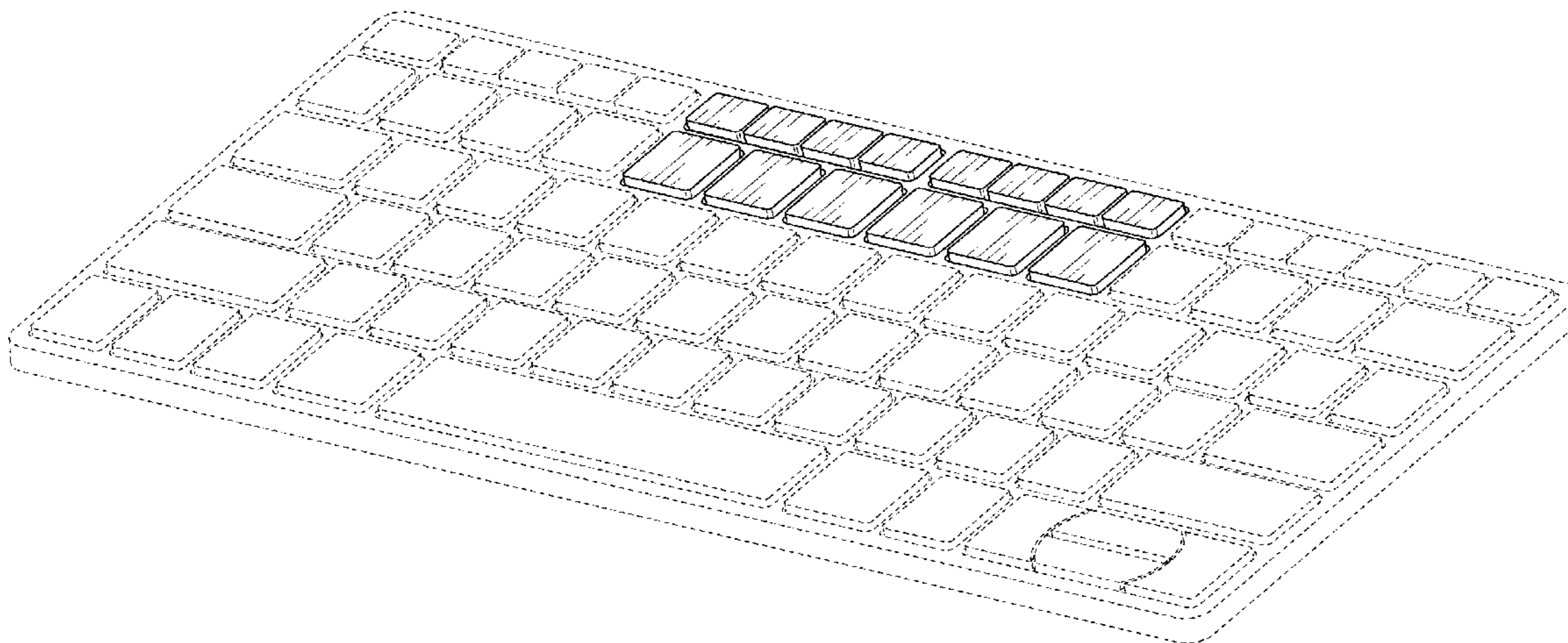
We claim the ornamental design for a keyboard, as shown and described.

**DESCRIPTION**

FIG. 1 is a top perspective view of a keyboard;  
FIG. 2 is a top view thereof; and,  
FIG. 3 is a an enlarged fragmentary perspective view of  
thereof.

The dash-dash broken lines in the drawings are environmental lines which do not form part of the claimed design.

**1 Claim, 3 Drawing Sheets**



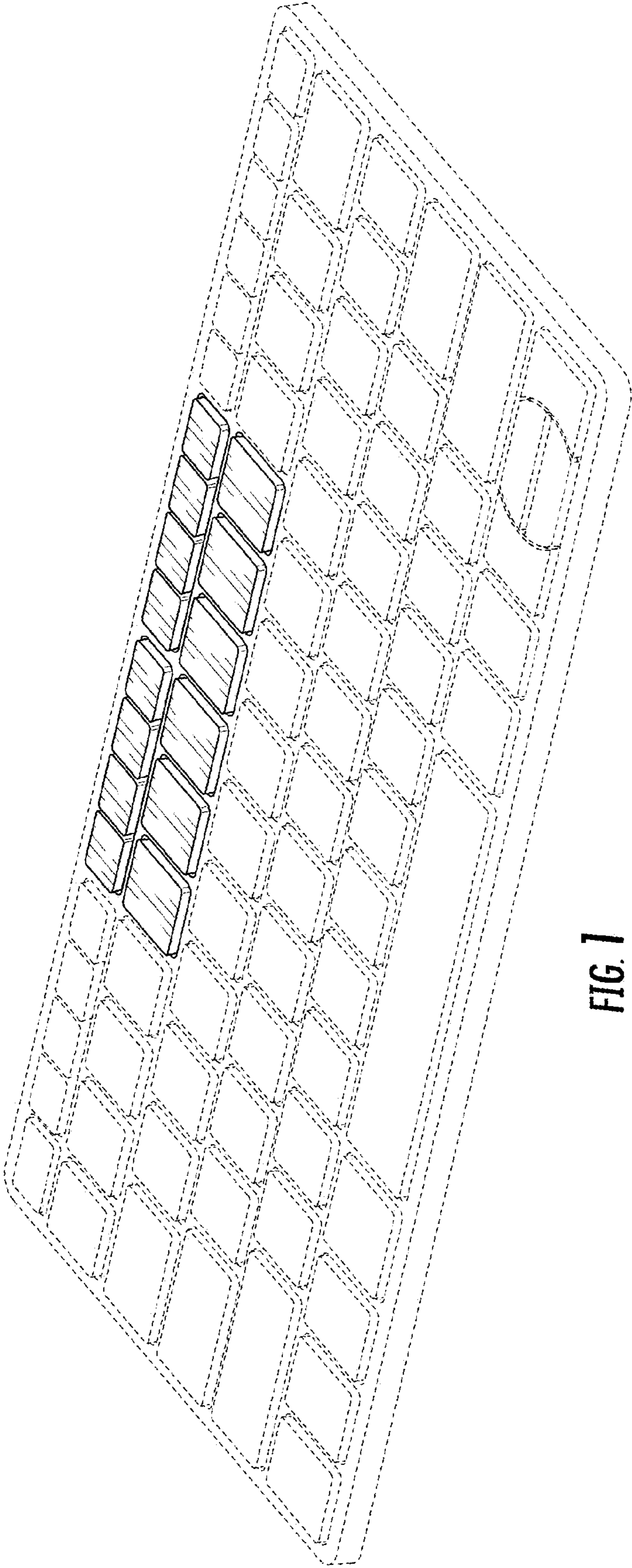


FIG. 1



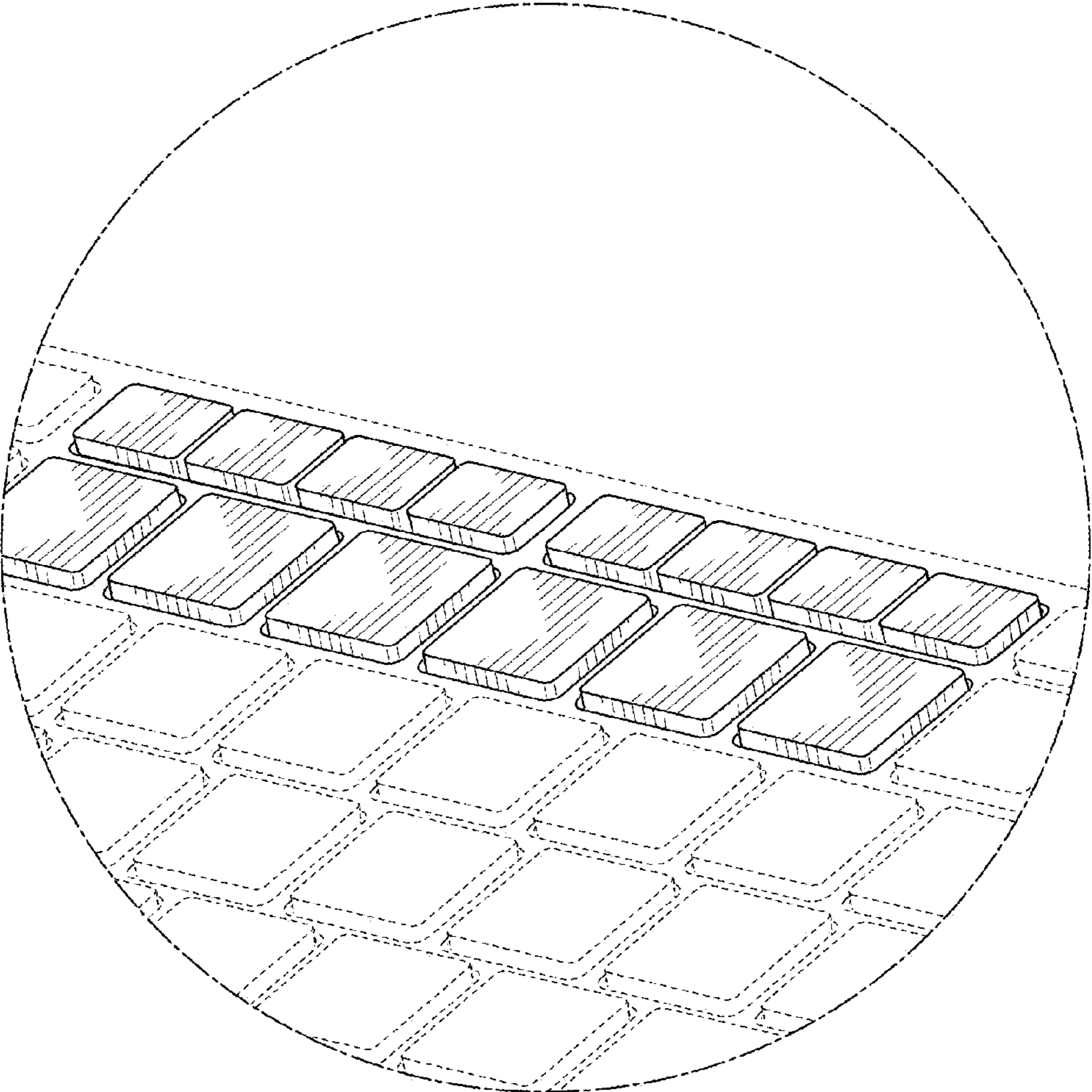


FIG. 3