



US00D689487S

(12) **United States Design Patent**  
**Halsinger et al.**

(10) **Patent No.:** **US D689,487 S**

(45) **Date of Patent:** **\*\* Sep. 10, 2013**

(54) **COORDINATE INPUT DEVICE**

(75) Inventors: **Kai Halsinger**, Portland, OR (US);  
**Pierre Harper**, Santa Cruz, CA (US);  
**Samuel James Amis**, Portland, OR (US)

(73) Assignee: **Wacom Co., Ltd.**, Kazo-shi (JP)

(\*\*) Term: **14 Years**

(21) Appl. No.: **29/412,778**

(22) Filed: **Feb. 7, 2012**

(30) **Foreign Application Priority Data**

Aug. 8, 2011 (JP) ..... 2011-18155

(51) **LOC (9) Cl.** ..... **14-02**

(52) **U.S. Cl.**  
USPC ..... **D14/389**

(58) **Field of Classification Search**

USPC ..... D14/388-390, 341, 383, 374, 381,  
D14/371, 129, 456; D19/52; D10/65;  
178/18.01, 18.03-18.09, 18.11; 345/173-178  
See application file for complete search history.

(56) **References Cited**

U.S. PATENT DOCUMENTS

D554,640	S	*	11/2007	Ponnert et al.	.....	D14/388
D587,267	S	*	2/2009	Wang	.....	D14/356
D590,018	S	*	4/2009	Nash et al.	.....	D19/52
D602,014	S	*	10/2009	Andre et al.	.....	D14/341
D624,914	S	*	10/2010	Wang	.....	D14/371
D625,727	S		10/2010	Crisp		
D625,728	S		10/2010	Crisp		
D629,401	S		12/2010	Crisp		
D629,402	S		12/2010	Crisp		
D662,094	S	*	6/2012	Mack et al.	.....	D14/388
D667,395	S	*	9/2012	Lee	.....	D14/341
D671,940	S	*	12/2012	Kim	.....	D14/374
D672,345	S	*	12/2012	Li	.....	D14/341
D673,561	S	*	1/2013	Hyun et al.	.....	D14/341
D679,274	S	*	4/2013	Canizares et al.	.....	D14/341

2011/0069022	A1	*	3/2011	Yokota et al.	.....	345/173
2012/0218206	A1	*	8/2012	Sato et al.	.....	345/173
2012/0242592	A1	*	9/2012	Rothkopf et al.	.....	345/173
2013/0009889	A1	*	1/2013	Weng	.....	345/173
2013/0082937	A1	*	4/2013	Liu et al.	.....	345/173
2013/0082979	A1	*	4/2013	Rabu et al.	.....	345/175
2013/0113754	A1	*	5/2013	Lee	.....	345/174

\* cited by examiner

*Primary Examiner* — Cathron Brooks

*Assistant Examiner* — Katie Mroczka

(74) *Attorney, Agent, or Firm* — Christensen O'Connor Johnson Kindness PLLC

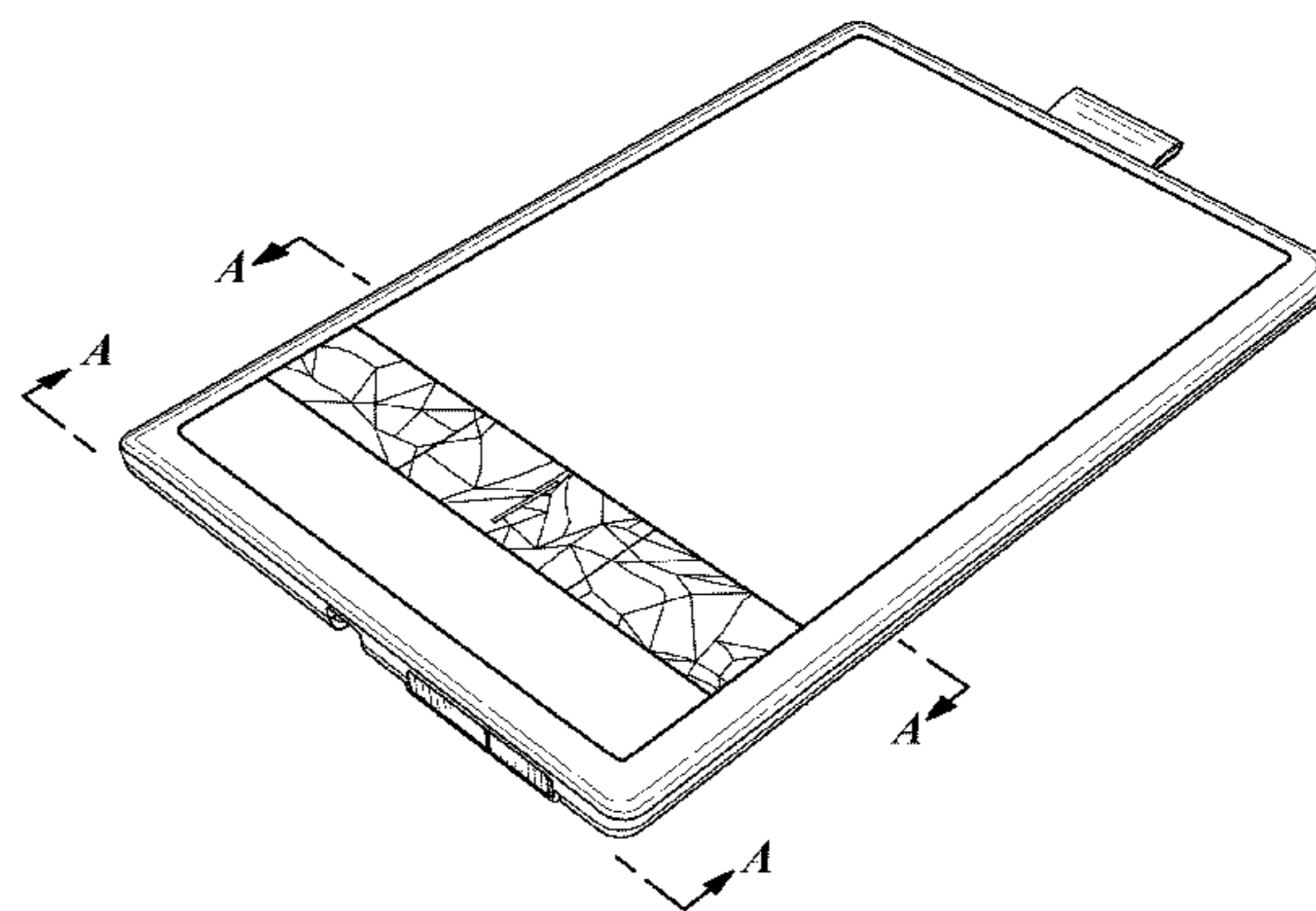
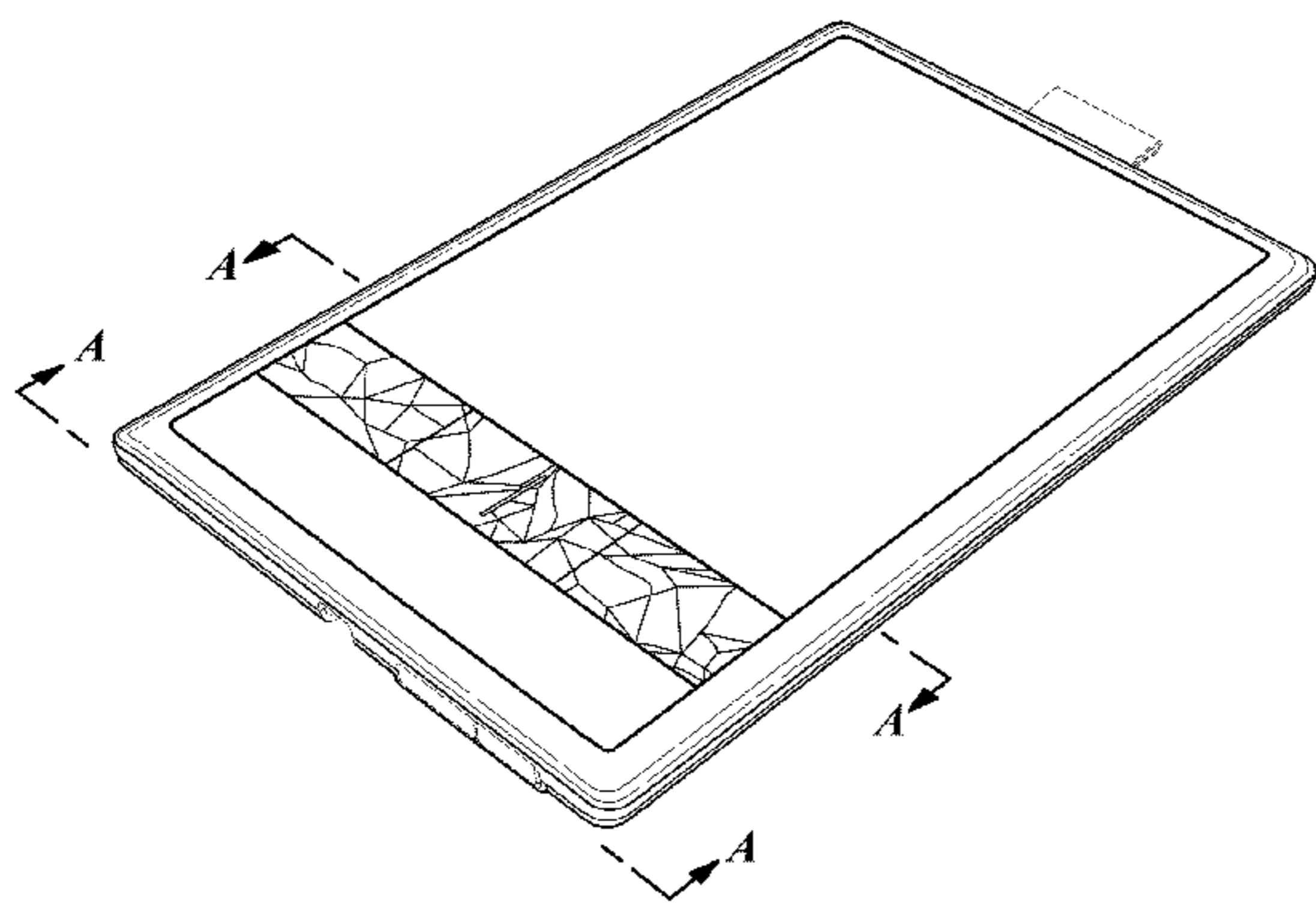
(57) **CLAIM**

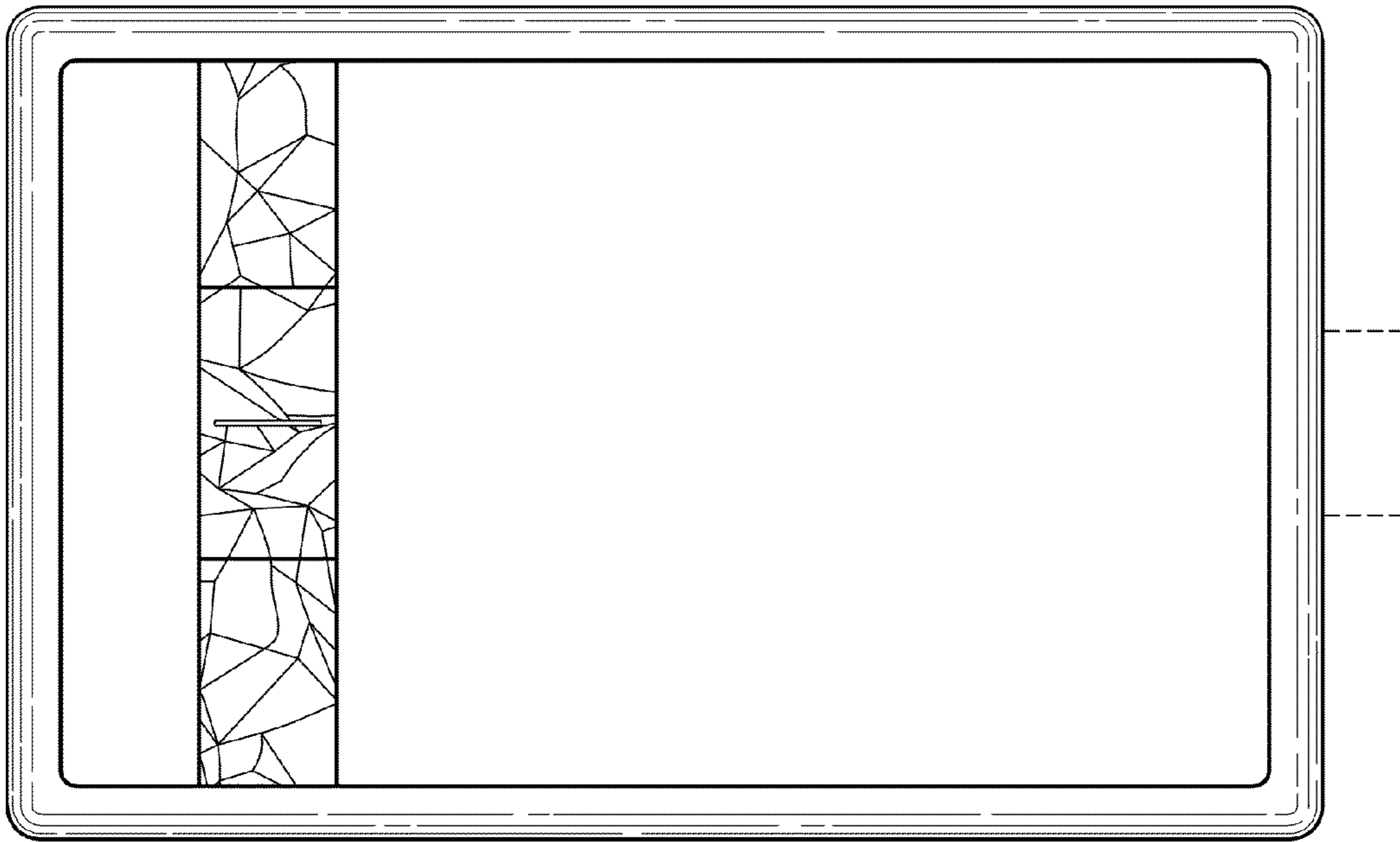
The ornamental design for a coordinate input device, as shown and described.

**DESCRIPTION**

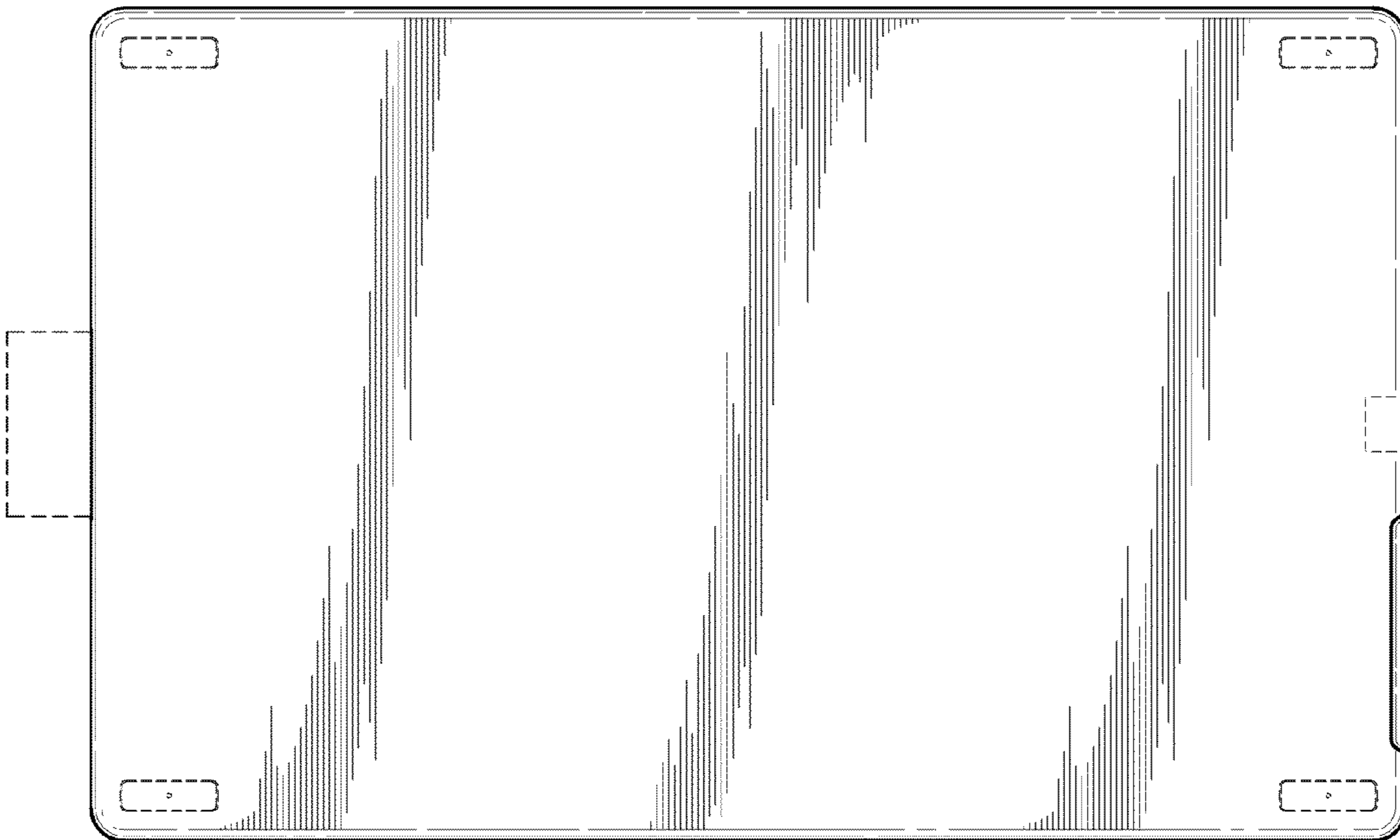
FIG. 1 is a front elevation view of a coordinate input device showing our new design;  
FIG. 2 is a rear elevation view thereof;  
FIG. 3 is a left side elevation view thereof;  
FIG. 4 is a right side elevation view thereof;  
FIG. 5 is a top plan view thereof;  
FIG. 6 is a bottom plan view thereof;  
FIG. 7 is a bottom front left isometric view thereof;  
FIG. 8 is a closeup view of portion A-A of FIG. 7;  
FIG. 9 is a front elevation view of a coordinate input device showing a variant of the design;  
FIG. 10 is a rear elevation view thereof;  
FIG. 11 is a left side elevation view thereof;  
FIG. 12 is a right side elevation view thereof;  
FIG. 13 is a top plan view thereof;  
FIG. 14 is a bottom plan view thereof;  
FIG. 15 is a bottom front left isometric view thereof; and,  
FIG. 16 is a closeup view of portion A-A of FIG. 15.  
The broken lines shown in FIGS. 1-8 illustrate environmental subject matter and form no part of the claimed design.

**1 Claim, 6 Drawing Sheets**

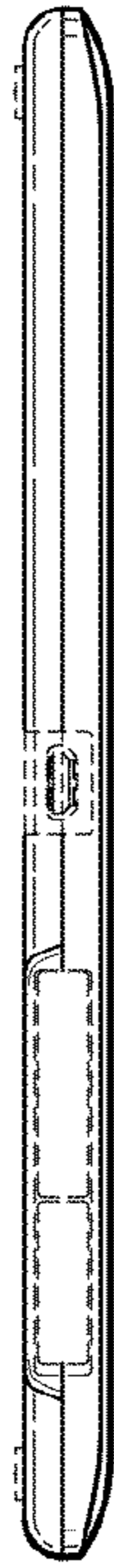




*Fig. 1.*



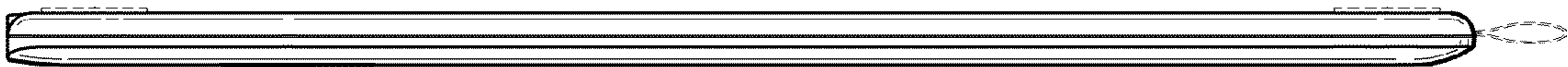
*Fig. 2.*



*Fig. 3.*



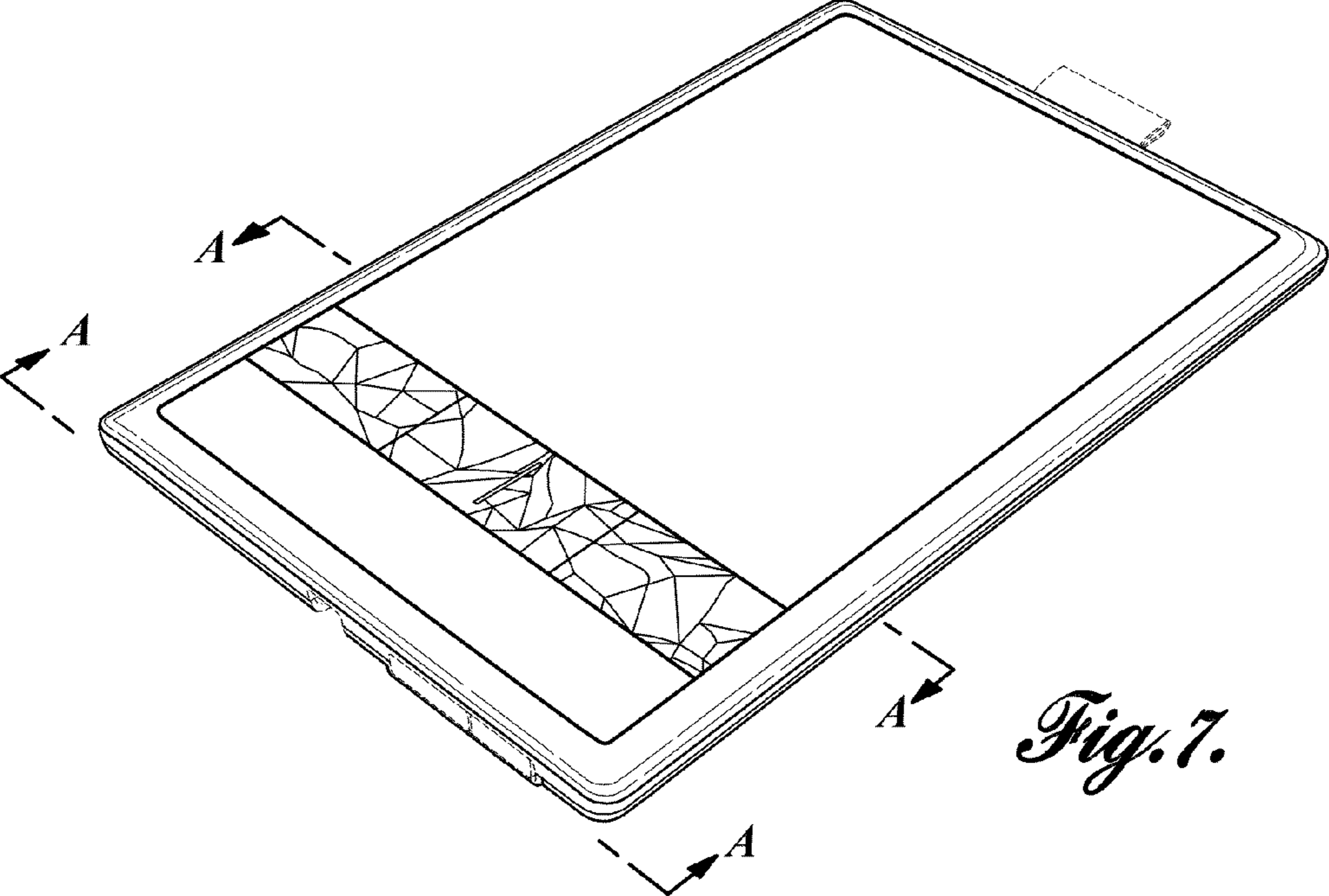
*Fig. 4.*



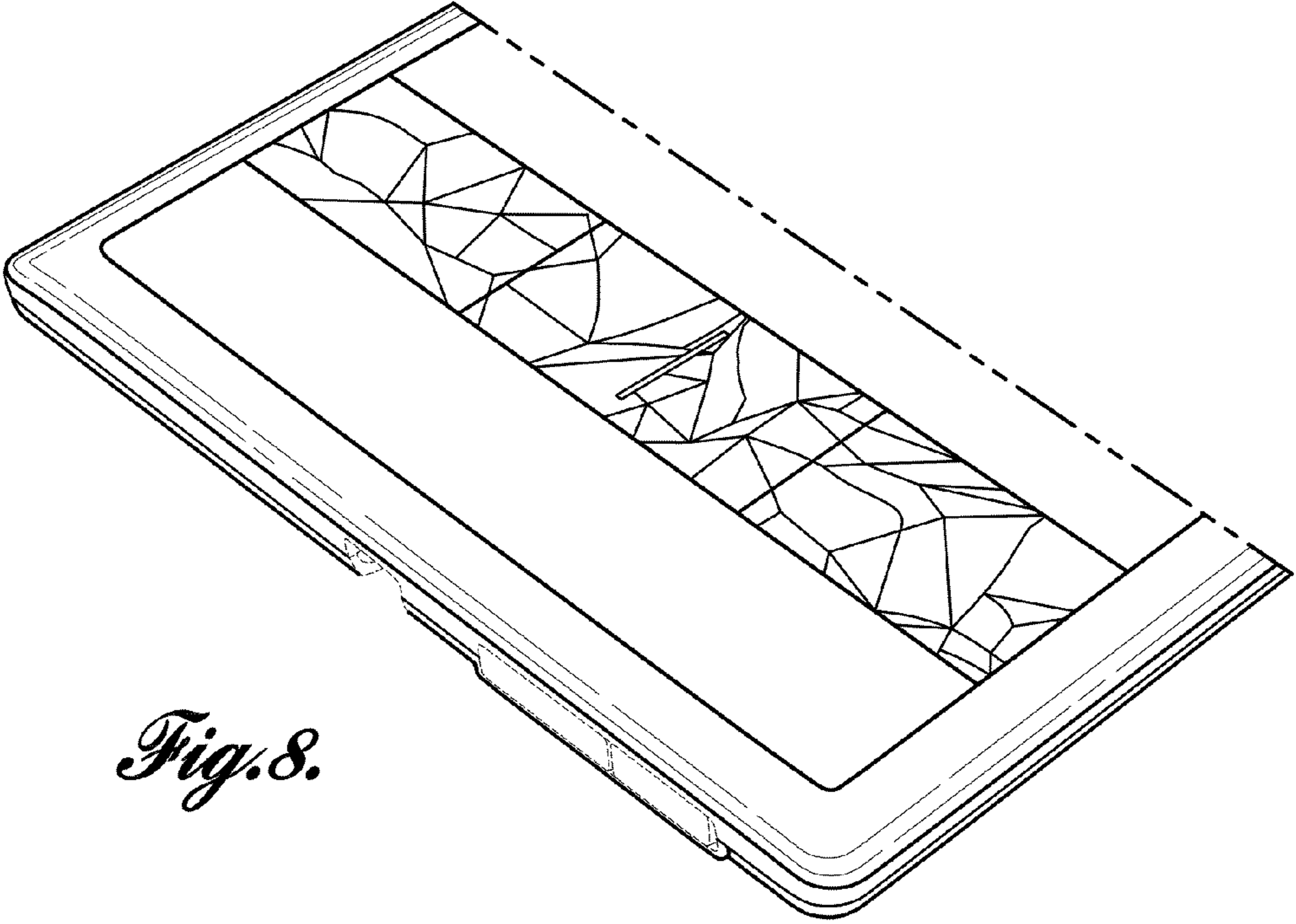
*Fig. 5.*



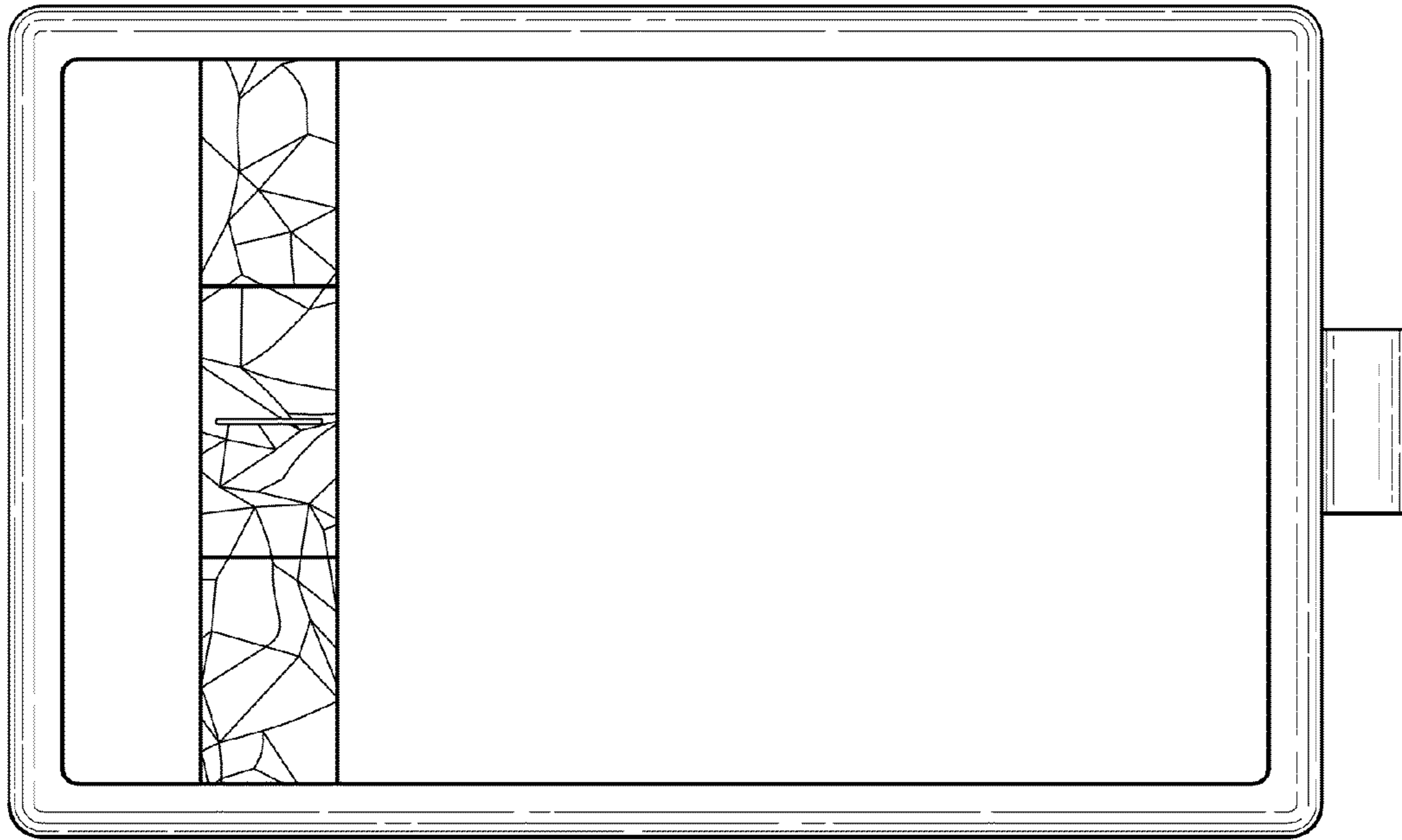
*Fig. 6.*



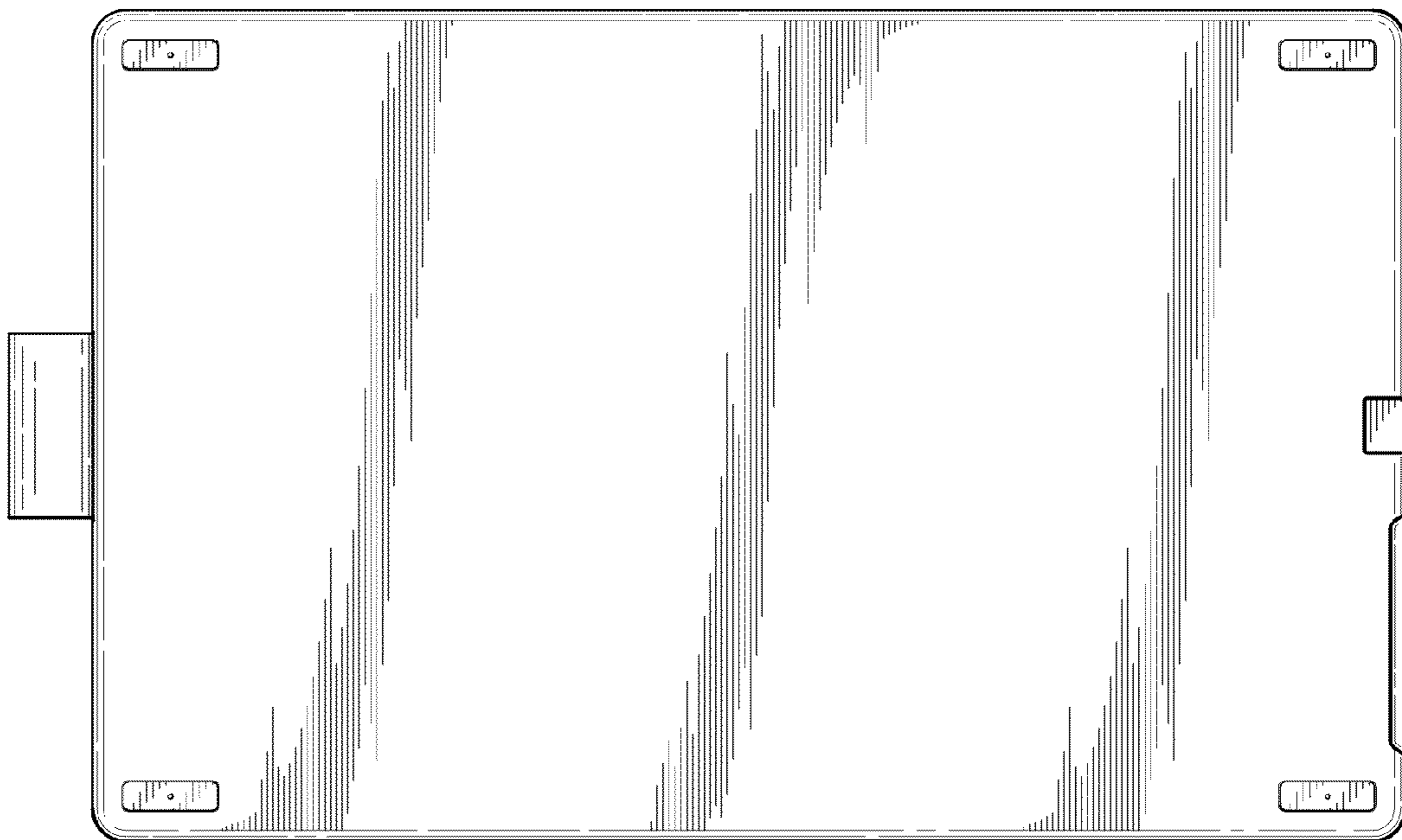
*Fig. 7.*



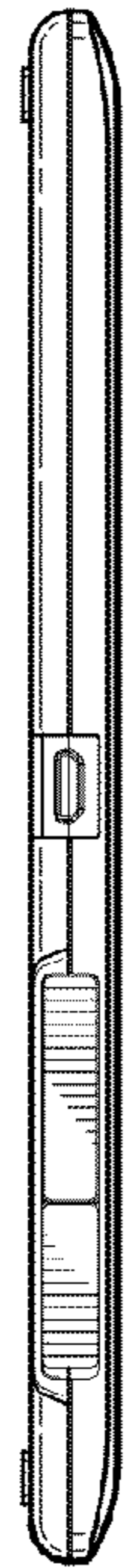
*Fig. 8.*



*Fig. 9.*



*Fig. 10.*



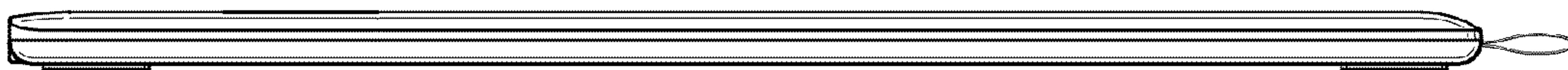
*Fig. 11.*



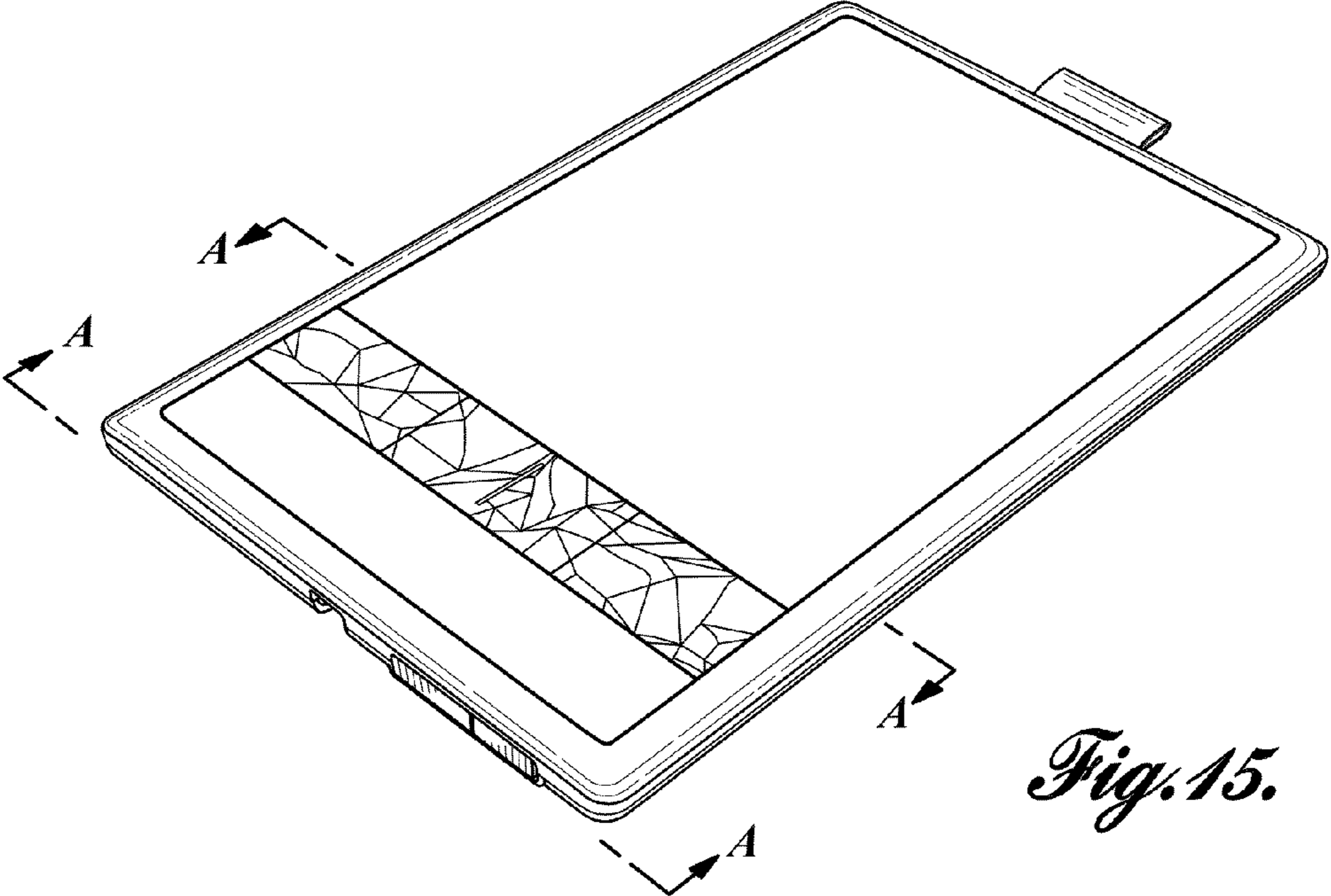
*Fig. 12.*



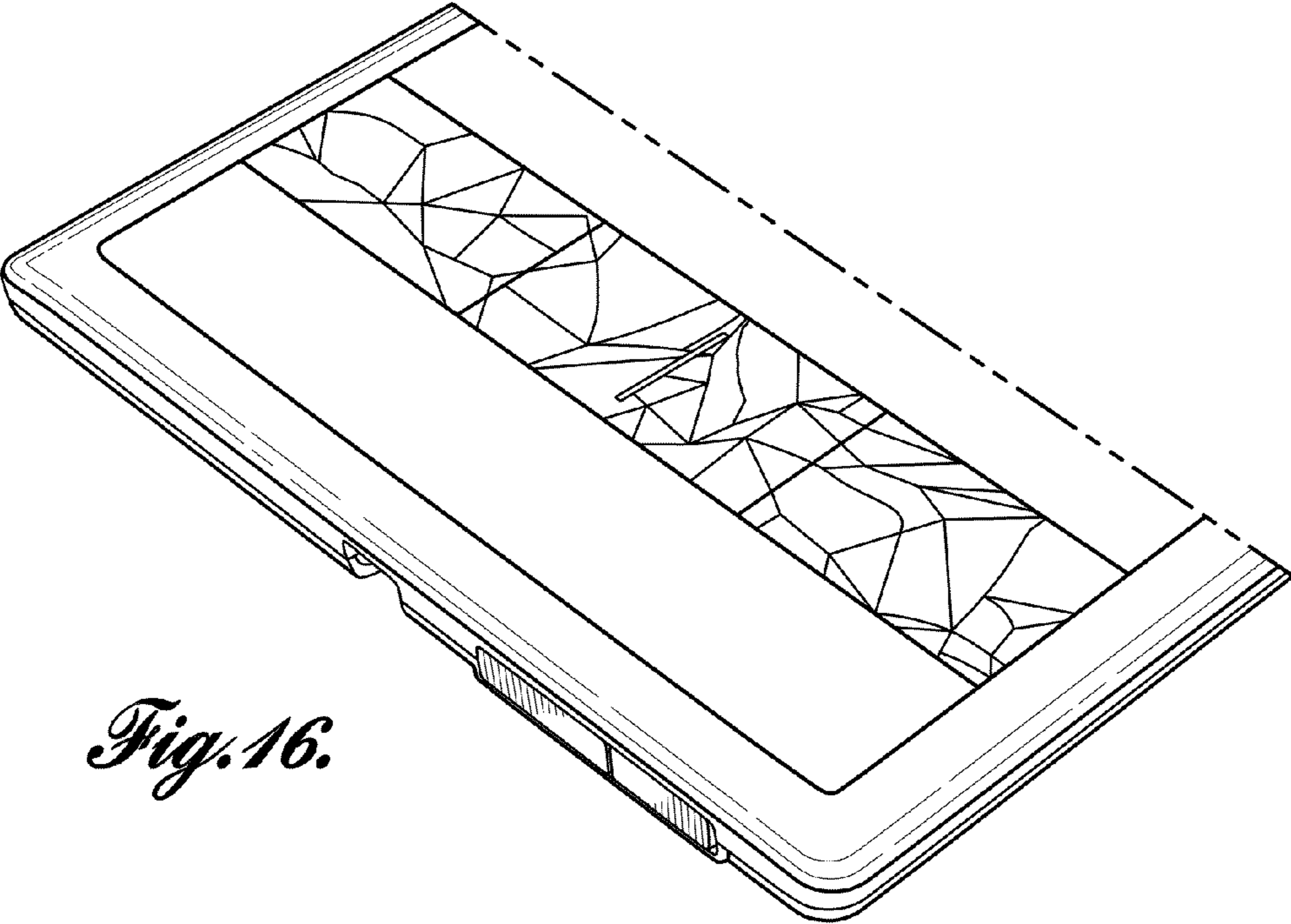
*Fig. 13.*



*Fig. 14.*



*Fig. 15.*



*Fig. 16.*